

MISSION BELL LED

Specifications



Project Name:

Catalog Number:

Type:

Visionaire Lighting has modernized a classic. Our **Mission Bell** roadway LED fixture embeds the latest LED technology into a traditional, historical design that harkens back to the turn-of-the-century El Camino Real Mission Bell fixtures found in seaside communities.

This Mission Bell offers ease of use and years of trouble-free operation; eliminating costly maintenance fees by employing energy-efficient LED lighting. Cutting edge LED optics allow for the use of fewer fixtures at lower wattages and wider pole spacings—to illuminate roadways with excellent uniformity. Type I, II, III, IV, V and VW optical patterns are offered; in color temperature of 3,000 4,000 Kelvin or 5,000.

The precision-engineered Mission Bell LED housing is of two-part construction, with the upper half of the bell formed in cast aluminum, and the lower half completed in spun aluminum. Fixture features a high-quality, long lasting, durable powder coat finish in a variety of colors

For economical street beautification projects, the Mission Bell easily replaces cobra head fixtures using the MAP-02-PER mast arm fitter with built-in receptacle and shorting cap (ready-made to receive an optional, twist-lock photocell). It is Dark-Sky friendly to restrict light trespass, glare and light pollution for neighborhood-friendly lighting.

The **Mission Bell** is an ideal choice for street and municipal lighting projects; pedestrian applications, and city and urban centers.

Ordering Information

MODEL	OPTICS	LEDs	CURRENT	KELVIN	VOLTAGE	MOUNTING	FINISH	OPTIONS	OPTIONS
MBL-1-L	T1 Type 1	16LC	3 350mA	3K 3000K	UNV 120-277V	MAP-02 Mast Arm Fitter	BZ Bronze	PCR-120 Photocell & Receptacle	ROT-R Rotated Optics Right Side
	T2 Type 2	32LC	5 530mA	4K 4000K		*Designed to slip over 2 3/8" O.D. mast arm. Includes provision only for twist lock receptacle. Receptacle and shorting cap, to be ordered separately under options.	BK Black	PCR-208 Photocell & Receptacle	ROT-L Rotated Optics Left Side
	T3 Type 3	48LC	7 700mA	5K 5000K			SBK Smooth Black	PCR-240 Photocell & Receptacle	
	T4 Type 4	80LC					WH White	PCR-277 Photocell & Receptacle	
	T4A Type 4 Automotive	96LC					SWH Smooth White	PCR-480 Photocell & Receptacle	
	T5 Type 5						GP Graphite	DC Dual Circuit	
	T5W Type 5 Wide					GY Grey	DIM 0-10v Dimming Driver		
						SL Silver Metallic	VWC Visionaire Wireless Controls *Consult Factory		
						CC Custom Color			

Housing

- The Mission Bell LED is manufactured spun aluminum.

Thermal Management

- The Mission Bell provides excellent overall thermal management by maximizing the efficiency of the heatsink in the fixture. This enables the Mission Bell to withstand higher ambient temperatures and higher drive currents without degradation of LED life.

Optical System

- The highest lumen output LEDs available are utilized. Estimated life of the LEDs is 100,000+ hours. IES Type I, II, III, IV and V distributions are standard. Available from 16 to 96 LEDs, the optical system qualifies as IES full cutoff; to restrict light trespass, glare and light pollution for neighborhood-friendly lighting.
- CRI values are 70.

Quali-Guard® Finish

- Fixture components are chemically pretreated through a multiple-stage washer and finished with an electrostatically-applied, thermoset polyester powder coat textured paint with a 3 to 5 mils thickness. Finish is oven-baked at 400°F for maximum adherence and finish hardness.
- Available in standard and custom colors.

Mounting

- The Mission Bell is provided with a cast aluminum arm adaptor designed to slip fit over a 2 3/8" horizontal tenon (mast arm) and is adjustable +/- 5 degrees for fixture leveling. An internal clamping device provides a secure, U-bolt attachment to the mast arm, eliminating the need to drill for thru-bolt attachment.

Electrical Assembly

- The Mission Bell is supplied with a high-performance LED driver, located in its housing, that accepts 120 V thru 277 V, 50 Hz to 60 Hz input. Power factor is 90%. Rated for -40 oF operation.
- 10 kV surge protector supplied as standard.

Warranty

- Five (5) year Limited Warranty on entire system, including finish. For full warranty information, please visit VisionaireLighting.com.

Options

- Twist-lock photocell
- Dual circuit
- 0-10 V dimming driver

*Please consult factory for detailed custom options.

Listings

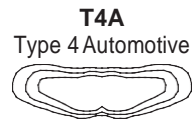
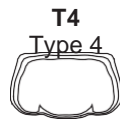
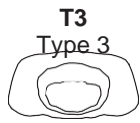
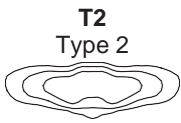
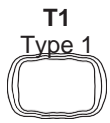
- Mission Bell is UL listed, suitable for wet locations..
- RoHS compliant.
- LM79.
- LM80.
- Powder Coated Tough™.


3000K must be selected for IDA certification.



MISSION BELLED LED Specifications

Photometric Optical Summary



EPA Data		1 Fixture w/ TNS101-S1	2 Fixture w/ TNS101-S1
	2.6	4.1	7.4

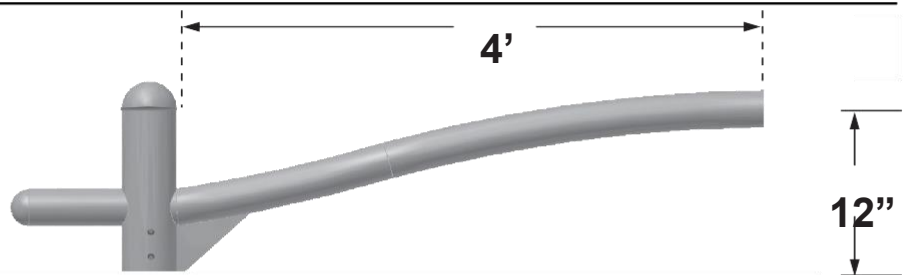
Dimensions

Width: MBL-1-L 24.75"

Height: MBL-1-L 21.25"

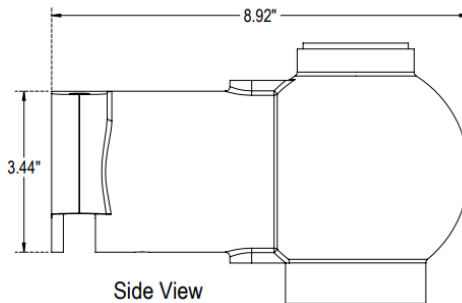
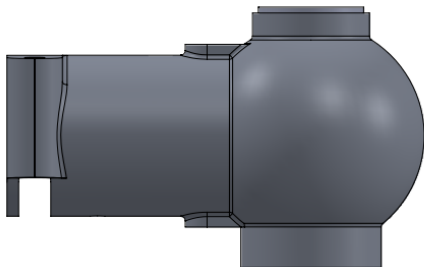
Weight: 64 LBS

Typical Mounting Arm



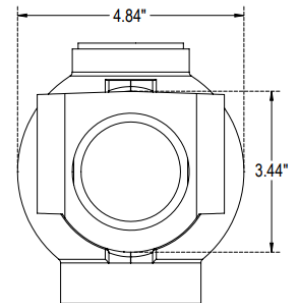
TNS101-S1 EPA: 1.5

MAP-02 Mast Arm Fitter Dimensions

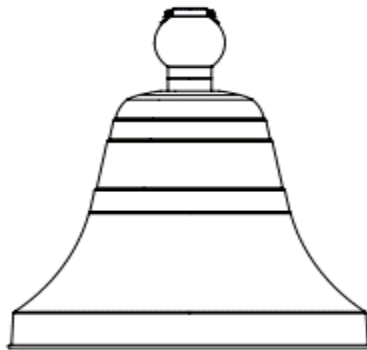
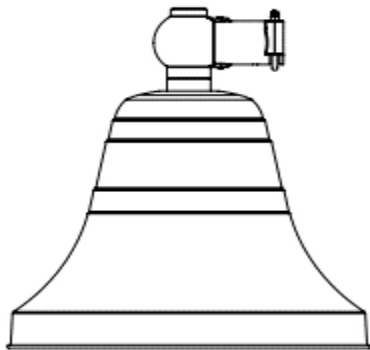


Side View

*The MAP-02 is designed to slip over 2 3/8" O.D. mast arm



FRONT VIEW



LED Specifications **MISSION BELL**

Mission Bell 3K Lumen Data									
# of LEDs	mA	T1	T2	T3	T4	T4A	T5	T5W	Wattage
16	350	2433	2279	2321	2174	2397	2440	2362	18
	530	3482	3262	3321	3111	3431	3492	3380	27
	700	4344	4069	4143	3881	4280	4356	4216	37
32	350	4631	4338	4417	4138	4563	4644	4495	36
	530	6864	6429	6547	6133	6763	6883	6662	55
	700	8562	8020	8166	7650	8436	8586	8311	70
48	350	7316	6852	6978	6536	7208	7336	7101	54
	530	10843	10156	10342	9688	10683	10873	10525	82
	700	13526	12669	12901	12085	13326	13563	13128	107
64	350	9555	8950	9113	8537	9414	9581	9274	72
	530	13513	12657	12889	12073	13314	13550	13116	105
	700	17023	15945	16237	15210	16772	17070	16524	140
80	350	11679	10939	11140	10435	11507	11711	11337	89
	530	16328	15293	15573	14589	16087	16373	15849	130
	700	20554	19251	19604	18364	20250	20610	19950	177
96	350	14090	13197	13439	12589	13882	14129	13676	109
	530	20267	18983	19331	18108	19968	20323	19672	160
	700	25311	23708	24142	22615	24938	25381	24568	210
Mission Bell 4K Lumen Data									
# of LEDs	mA	T1	T2	T3	T4	T4A	T5	T5W	Wattage
16	350	2458	2302	2344	2196	2422	2465	2386	18
	530	3517	3295	3355	3143	3466	3527	3414	27
	700	4388	4110	4185	3920	4323	4400	4259	37
32	350	4678	4381	4462	4179	4608	4691	4540	36
	530	6933	6494	6613	6195	6831	6952	6730	55
	700	8649	8101	8249	7727	8521	8672	8395	70
48	350	7389	6921	7048	6602	7280	7410	7172	54
	530	10952	10259	10446	9786	10791	10982	10631	82
	700	13662	12797	13031	12207	13461	13700	13261	107
64	350	9651	9040	9205	8623	9509	9678	9368	72
	530	13649	12785	13019	12195	13448	13687	13249	105
	700	17195	16106	16401	15364	16942	17243	16691	140
80	350	11797	11050	11252	10541	11624	11830	11451	89
	530	16493	15448	15731	14736	16250	16538	16009	130
	700	20761	19446	19802	18549	20454	20818	20152	177
96	350	14232	13331	13575	12716	14022	14271	13814	109
	530	20472	19175	19526	18291	20170	20528	19871	160
	700	25567	23947	24386	23598	26022	25637	24816	210
Mission Bell 5K Lumen Data									
# of LEDs	mA	T1	T2	T3	T4	T4A	T5	T5W	Wattage
16	350	2561	2399	2443	2288	2523	2568	2486	18
	530	3665	3433	3496	3275	3611	3675	3558	27
	700	4572	4283	4361	4085	4505	4585	4438	37
32	350	4875	4566	4649	4355	4803	4888	4732	36
	530	7225	6767	6891	6455	7119	7245	7013	55
	700	9013	8442	8596	8053	8880	9037	8748	70
48	350	7701	7213	7345	6880	7587	7722	7474	54
	530	11414	10690	10886	10198	11245	11445	11078	82
	700	14237	13335	13580	12721	14027	14276	13819	107
64	350	10058	9421	9593	8986	9909	10085	9763	72
	530	14224	13323	13567	12709	14014	14263	13807	105
	700	17919	16784	17091	16011	17655	17969	17393	140
80	350	12294	11515	11726	10984	12113	12328	11933	89
	530	17187	16098	16393	15356	16934	17234	16683	130
	700	21635	20265	20636	19331	21316	21695	21000	177
96	350	14832	13892	14146	13252	14613	14872	14396	109
	530	21334	19982	20348	19061	21019	21392	20707	160
	700	26644	24956	25412	23805	26250	26717	25861	210