

Fig. 1



BEFORE YOU BEGIN

- Read these instructions completely and carefully.
- Save these instructions for future use.



WARNING

- To avoid possible risk of fire or shock turn off power prior to installation or maintenance preferably at circuit breaker. Product must be installed following all NEC and local Electrical Codes.

UNPACKING

- This luminaire has been properly packaged so that no damage shall occur during transportation
- Inspect and confirm

INSTALLATION

- Use drill pattern for poles that are not supplied by Visionaire Lighting. Be sure wire-way hole is free of rough edges and adverse burr (Fig. 1)
- Slip pole plate into top of pole and align to holes on pole making sure that pole plate is flush to inside of pole wall. (Fig. 2)
- Remove the access cover plate of luminaire by unscrewing #10-24 X 1/2" captive knuckled head thumb screws.
- Place the 3/8-16 X 1-1/2" hex head bolt with the washer and lock washer, aligning it with the pole and plate leaving 1" apart. (Fig. 3)

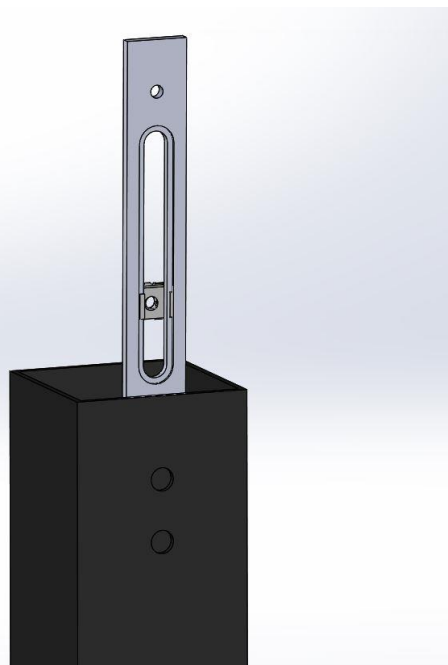


Fig. 2



Fig. 3



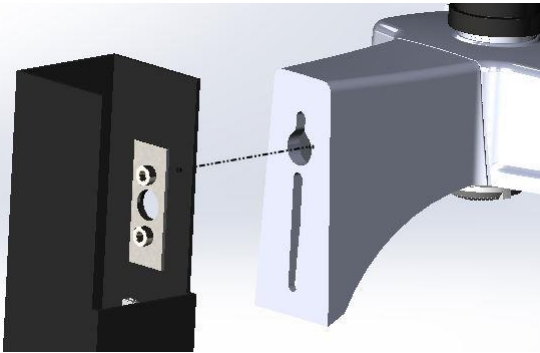


Fig. 4

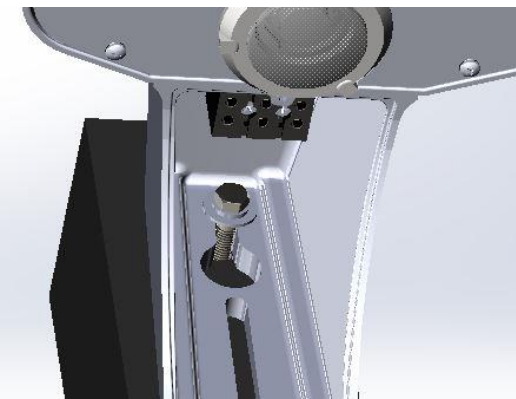


Fig. 5

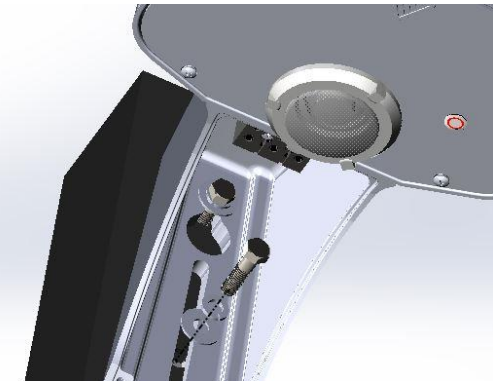


Fig. 6



Fig. 7

INSTALLATION

- Mount the luminaire by aligning the arm mount casting (keyhole) and the hex head bolt (Fig.4), then carefully lower the luminaire to hang with 3/8-16 hex head bolt. (Fig. 5).
- Place the another 3/8-16 X 1-1/2" hex head bolt with the washer and lock washer, aligning the luminaire with the hole pole and tighten both hex head bolts to 19 ft-lb (Fig. 6).
- First supply lead wires and connect to the terminal block per NEC and/or any applicable local codes. (Fig.7)
- Replace the access cover plate and tighten #10-24 X 1/2" captive knuckled head thumb screws.

NOTE: Not to scale, for reference only

