



# American LED Luminaire

 **VISIONAIRE LIGHTING**  
*Performance In A Whole New Light*





**American**  
LED Luminaire



# American LED



The new **American** LED Luminaire from Visionaire Lighting, combines contemporary design with new LED technology at an affordable price; while providing optimum lighting and energy savings, over traditional lighting systems. Designed to replace standard 250, 400 or 1000 watt HID fixtures, while using up to 50% less energy! Eliminate your maintenance issues for years to come with lamp life well over 10 years. Dramatically improve your light levels and uniformity with engineered optical distribution patterns for maximum efficiency of the LEDs.

Consider Visionaire's New "Vision-Net" dimming control system for affordable wireless dimming of your LED lighting system; for unlimited control and added energy savings.

Transition into the future with quality LED outdoor lighting, at an affordable price. Consider the **American** Series for your next Lighting project.

## Fixture Construction

- Features all-aluminum housing, door frame, and components for lasting durability.
- Features a decorative reveal for architectural appeal.
- The LEDs are mounted to an aluminum heat sink for long life.
- The drivers are mounted to a rigid aluminum bracket and is readily accessible for easy maintenance.
- The door frame is removable for ease of installation; and is shipped with all LED components completely assembled to the door.

## LED Technology

- 72, 144 or 224 LEDs available in 350 or 530 mA ratings.
- Up to 33,000 lumens available.
- 4000 or 5000 Kelvin for natural or white light.
- Six optical distribution patterns
- 60,000 to 80,000 hours of life for the LEDs
- Add dimming controls for greater energy savings.

## Applications

The American LED Luminaire is a proven performer for general area lighting such as parking lots for office buildings, university campuses, and other commercial properties such as auto dealerships and shopping centers



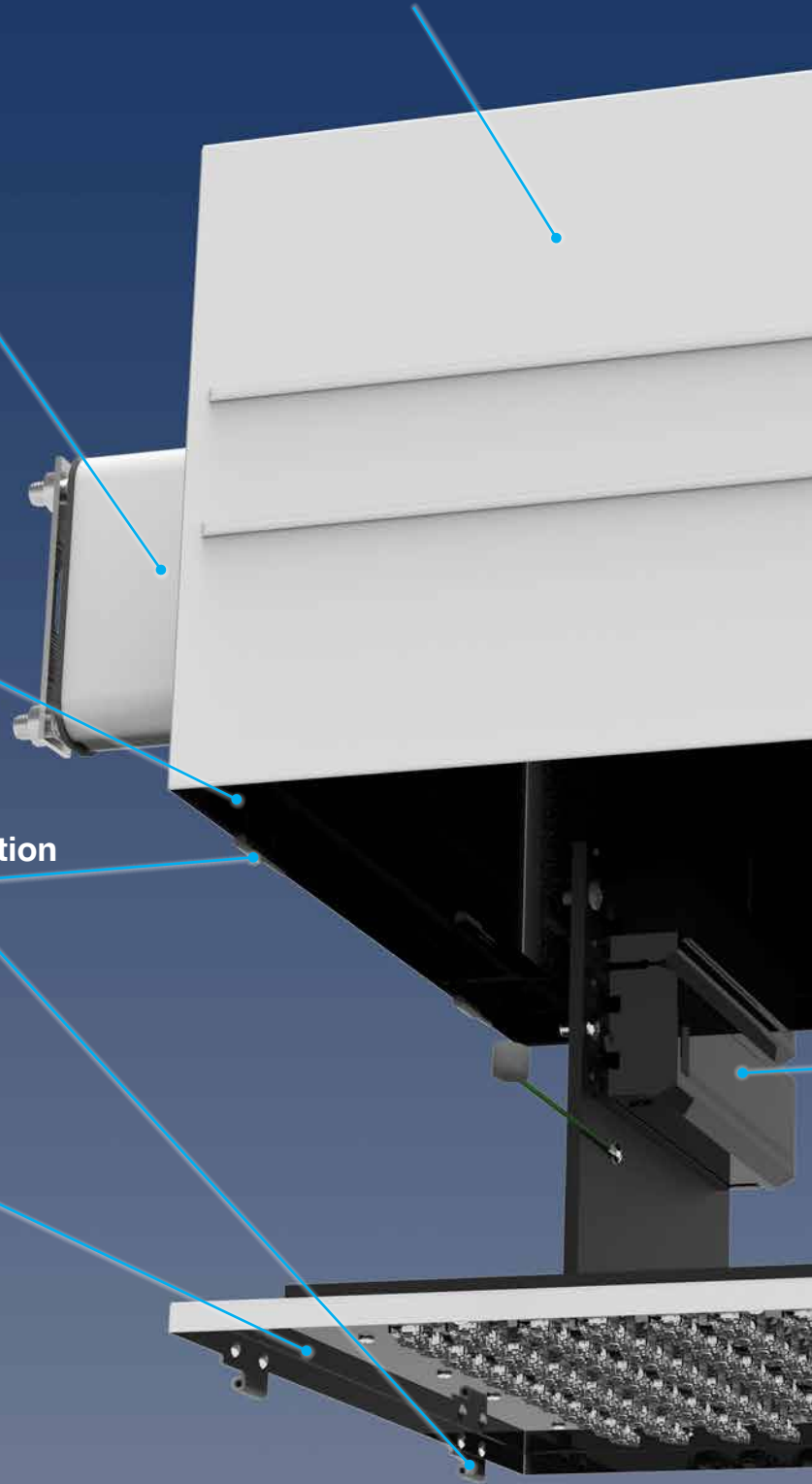
**One piece formed aluminum housing.**

**Extruded aluminum bolt-on arm.**

**Silicone gasket for complete weatherproof seal.**

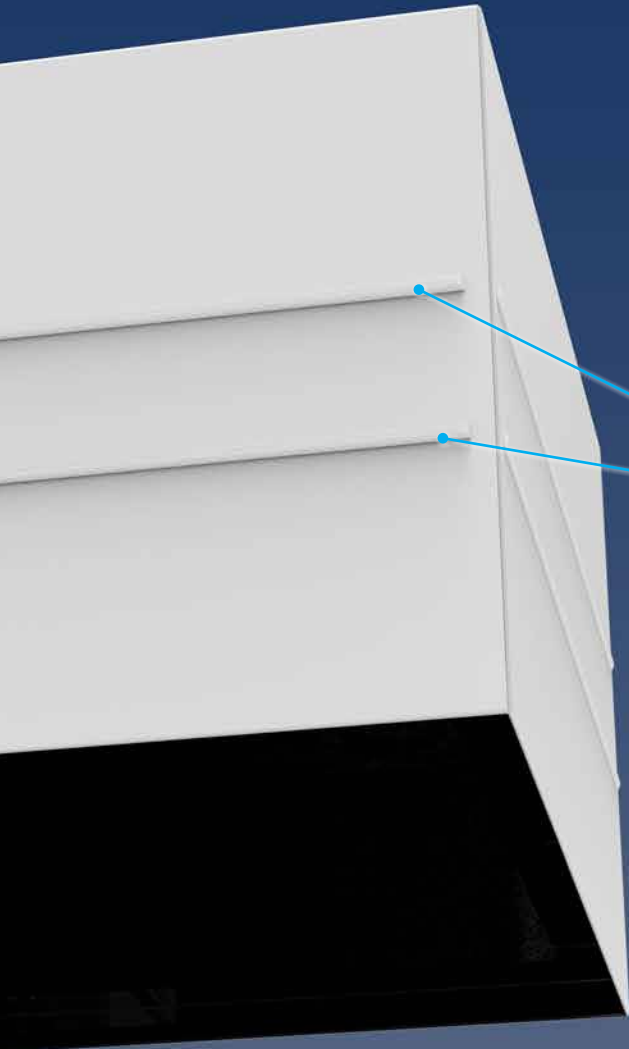
**Hinge assembly allows easy installation or removal of the door frame**

**One piece, formed aluminum removable door frame.**





**American**  
LED Luminaire



**Architectural reveal.**

**High Performance LED Drivers**

With a power factor greater than 90%, and rated to -40° C operation. Mounted to a heavy duty aluminum plate for maximum rigidity and heat dissipation.

**Heavy Duty Aluminum Heat Sink**



**Captive stainless steel door fastener.**

**LED Light Assemblies**

Come in multiples of 72, 144 or 224 LEDs, with six IES distribution patterns.



American Size 2 Shown

## An **LED** Retrofit Solution for Visionaire's AMERICAN HID Series

Designed to be incredibly simple to retrofit existing Visionaire American "AME-2" or "AME-4" HID fixtures. Instantly reduce your energy load and start saving money, while maintaining the fixture's integrity and applicable electrical listings like ETL; as well as any product warranties that may exist. That is something third party retrofits cannot do. The new American LED Retrofit Door is one-piece, compact, and self-contained; and requires no assembly before installation. Simply remove it from its protective shipping carton, and you are ready to complete the installation.

To install the LED assembly; you first remove and discard the existing American "AME-2" or "AME-4" door, reflector, and ballast. Install the new LED door assembly onto the existing hinge pins of the existing fixture; make the electrical connection, and close the door.

Done in five minutes or less! Instant energy saving! Eliminate your maintenance headaches for the next 10 years or more!

### **Construction**

- The door frame and heat sink are all-aluminum construction.
- The LED's are mounted to an aluminum heat sink for long life.
- The drivers are mounted to a rigid aluminum bracket and is readily accessible for easy maintenance.
- Fits standard AME-2 or AME-4 fixture door hinges, and supplied with captive stainless captive fastener.

### **LED Technology**

- 72, 144 or 224 LEDs available in 350 or 530 mA ratings.
- Up to 33,000 lumens available.
- Choose from 80 to 373 watts of power.
- 4000 or 5000 Kelvin for natural or white light.
- Six optical distribution patterns
- 60,000 to 80,000 hours of life for the LEDs
- Add dimming controls for greater energy savings

### **Applications**

- The American LED Retrofit Series is perfect for any of the many applications that the American fixture has been used for in the past.
- Area lighting
- Auto dealerships.
- Shopping Centers

**Take advantage of the new LED opportunities now!**







**American**  
LED Luminaire



# AMERICAN SERIES HID/LED ENERGY ANALYSIS

## American Retrofit



vs.



American Retro fit	1000 MH	224LC-530	400 MH	144LC-530	250 MH	72LC-530
Quantity of Fixtures on the Site	25	25	25	25	25	25
KWH Rate	0.15	0.15	0.15	0.15	0.15	0.15
Operating Hours Per Day	12	12	12	12	12	12
Lumens	90,000	33,230	36,000	23,907	22,000	11,954
Lamp Life / Hours	12,000	60,000	10,000	60,000	10,000	60,000
Parts and Labor Warranty	2 Years	5 Years	2 years	5 Years	2 years	5 Years
Watts/Fixture	1080	373	465	238	290	120
Monthly Operating Hours (Watt Hours)	324,000	111,900	167,400	91,440	104,400	45,720
KWH (Watt Hrs/Watts)	324	111.9	167.4	91.44	104.4	45.72
Monthly Cost to Operate - Single Fixture	\$60.14	\$20.77	\$25.11	\$13.72	\$15.66	\$6.86
Monthly Cost to Operate - Fixture Qty on Site	\$1,503.5	\$519.25	\$627.75	\$342.90	\$391.50	\$171.45
Annual Cost to Operate - Single Fixture	\$708.1	\$224.55	\$301.32	\$164.59	\$187.92	\$82.30
Annual Cost to Operate - Fixture Qty on Site	\$17,702.5	\$6,113.75	\$7,533.00	\$4,114.80	\$4,698.00	\$2,057.40
Annual Savings		\$11,588.75		\$3,418.20		\$2,640.60

Calculations based on the below facts:

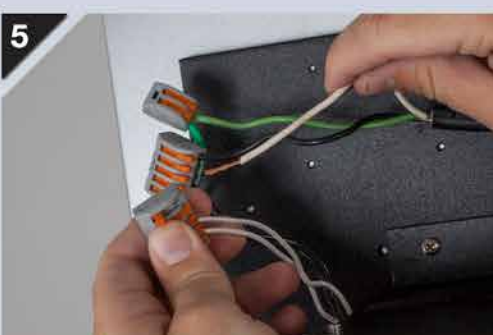
Existing fixture is a horizontal 1000MH, 400MH or 250MH

KWH Rate based on a local rate of \$0.15 KWH Rate

12 Hours per day of operation

For your custom payback analysis, please contact the Factory

# RETROFIT INSTALLATION INSTRUCTIONS



To avoid possible risk of fire or shock, turn power off prior to installation or maintenance preferably at circuit breaker. Product must be installed per all NEC and/or local electrical codes.

## INSTALLATION

1. Undo door lock-screw completely until door is released, swing door open and slide to remove from fixture.

2. Release optics from luminaire housing by turning all four quarter turn fasteners.

3. Remove the electrical quick dis-connect assembly and discard optics appropriately.

4. Remove HID ballast and all old electrical components and discard appropriately.

5. Slide LED retrofit door frame on to existing hinge and proceed to verify wattage against label installed on luminaire making all electrical connections per NEC and/or any applicable local codes.

6. Swing up LED retrofit and secure using lock screw to complete door frame installation.

American Size 2 Shown

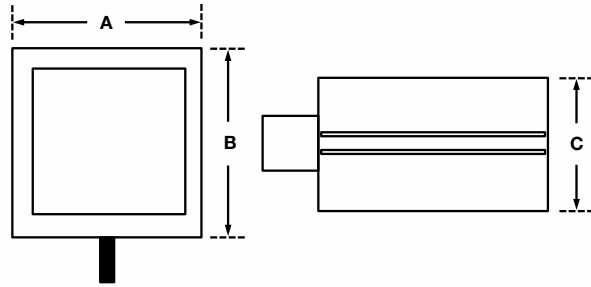


·Don't put HID components in the trash (reflector, ballast and lamp)  
·Recycle at your local collection agency.  
·For lamp disposals, visit [www.lamprecycle.org](http://www.lamprecycle.org)





## Dimensional Drawings



Fixture	A	B	C	Stripe	Max. Watts	Lbs.
AME-2-L	19"	19"	12"	2"	238 W	29
AME-4-L	23"	23"	15"	2"	373 W	68

The new American LED Luminaire from Visionaire combines contemporary design with new LED technology; while maintaining a traditional fixture image. The LEDs Performance and Life are maximized by the unique integral aluminum heat sink built into the door frame. Maintenance of the drivers is simplified by making them easily accessible and provided with quick wiring connections.

72, 144 or 224 LEDs are available in 350 or 530 mA rating providing up to 33,000 lumens. Six optical distribution patterns

are available and feature a unique Type T-4A automotive pattern for the front row of auto dealerships. Choose between 4000 or 5000 Kelvin temperature of the LEDs.

A durable Polyester powder coat finish is guaranteed for five years; and is available in standard or custom colors.

The American LED series is an exceptional choice for auto dealerships, shopping centers, commercial parking lots and general parking area lighting.

Model	Optics	Source	Current	Kelvin	Voltage	Mounting	Finish	Options
AME-2-L	Type II (T2)	# of LEDs 72 (72LC)	mA 350 (3)	4000K *Neutral white (4K)	120-277 *Universal voltage (UNV)	Bolt-On Arm 6" (BOA6)	Bronze (BZ)	<b>Photocell &amp; Receptacle</b> *Specify voltage (PCR120) (PCR208) (PCR240) (PCR277) Photo Receptacle (PER) *With shorting cap <b>Button Type Photocell</b> *Specify voltage (PC120) (PC208) (PC240) (PC277) House Side Light Shield (LS) <b>Round Pole Plate Adaptor</b> For 4" Ø Pole (RPP4) For 5" Ø Pole (RPP5) 0-10v Dimming Driver No Controls (DIM) Motion Sensor (MS) *Pole Mount Only Wireless Controls Consult Factory (WS)
	Type III (T3)		144 (144LC)	530 (5)	5000K *Cool white (5K)	480 (5)	Bolt-On Arm 10" (BOA10)	
	Type IV (T4)				347 (8)	Knuckle Mount (KM)	Smooth Black (SBK)	
AME-4-L	Type IV-A (T4A)	224 (224LC)				Wall Mount *Cast Wall Plate (BAWP) to be ordered separately (WM)	White (WH)	Round Pole Plate Adaptors (RPP) are to be ordered separately.
	Type V (T5)					Spider Mount *Fits 2 3/8" O.D. (SM)	Smooth White (SWH)	
	Type V-W (T5W)						Graphite (GP)	
							Grey (GY)	
						Silver Metallic (SL)		
						Custom Color (CC)		

For more detailed information on mounting, wiring or installation instructions, please consult factory. If poles are not ordered with fixtures, please specify mounting requirements. This document contains proprietary information of Visionaire Lighting, LLC. Any use of this information requires the written approval of Visionaire Lighting, LLC. In keeping with our TQM policy of continuous improvement, Visionaire reserves the right to change any specifications contained herein without prior notice.

**Housing**

- All housings are manufactured using advanced computerized numerical control (CNC) machinery. Precision sheared and formed from one-piece, corrosion-resistant aluminum, with tooled external reveal.
- The computerized CNC machinery enables all American housings to be constructed quickly, efficiently and adhering to exacting ISO 9002 standards. All external hardware is stainless steel.

**Door Assembly**

- Removable hinged door assembly is CNC precision, sheared and formed from one-piece, corrosion-resistant aluminum with captive stainless steel fastener. The LEDs and drivers are mounted to an aluminum heat sink that is attached to the door frame.

**Optical System**

- The LED light assemblies come with up to 224 LEDs. Six IES distribution patterns are offered as standard; with a unique Type 4 Automotive optic available for Dealerships. The optical system qualifies as IES full cutoff; to restrict light trespass, glare, and light pollution.

**Quali-Guard® Finish**

- The finish is Quali-Guard® textured, chemically pretreated through a multiple-stage washer, electrostatically applied, thermoset polyester powder coat finish, with a minimum of 3-5 millimeter thickness. Finish is oven-baked at 400°F to promote maximum adherence and finish hardness. All finishes are available in standard and custom colors

**Mounting**

- A rounded extruded aluminum, Bolt-On Arm (BOA), with an in-pole nut plate, securing (2) ½ inch zinc running bolts with stainless steel hardware is standard. A Round Pole Plate Adaptor (RPP) is required for mounting to 3" - 5" round poles.

**Electrical Assembly**

- The American LED Series is supplied with a choice of 350 or 530 mA high-performance LED drivers that accept 120 v thru 480v, 50 Hz to 60 Hz, input. Power factor of 90%. Rated for -40°C operations.
- 10 kV surge protector supplied as standard.

**Warranty**

- Five (5) year Limited Warranty on entire system, including finish. For full warranty information, visit [www.visionairelighting.com](http://www.visionairelighting.com)

**Options**

- Photocell & Receptacle
- Photo receptacle
- Button type photocell
- House side light shield
- Round pole plate adaptor
- Dimming Driver
- Motion Sensor
- Wireless Controls

Please consult factory for custom options.

**Listings**

- American is ETL listed, suitable for wet locations
- IP65 Rated
- LM79 and LM80.
- EISA compliant.
- RoHS compliant
- Powder Coated Tough™



DesignLights Consortium (DLC) qualified Product. Some configurations of this product family may not be DesignLights Consortium (DLC) listed, please refer to the DLC qualified products list to confirm listed configurations. <http://www.designlights.org/>

American LED LUMEN DATA

# of LEDs	Kelvin	mA	Type 2	B	U	G	Type 3	B	U	G	Type 4	B	U	G	Type 4A	B	U	G	Type 5	B	U	G	Type 5W	B	U	G	Watts
72	5000	350	8,470	2	0	2	7,485	2	0	2	8,401	2	0	2	8,069	1	0	1	9,174	3	0	1	9,145	3	0	1	80
	530	11,883	3	0	3	10,501	2	0	2	11,786	2	0	2	11,321	2	0	1	12,871	3	0	1	12,830	3	0	1	120	
144	5000	350	16,423	3	0	3	14,513	3	0	3	16,289	2	0	3	15,656	2	0	1	17,789	4	0	1	17,732	4	0	2	160
	530	21,913	3	0	3	19,365	3	0	3	21,734	3	0	3	20,876	2	0	2	23,736	4	0	2	25,249	4	0	2	238	
224	5000	350	24,124	3	0	3	22,443	3	0	3	24,480	3	0	3	24,322	2	0	2	26,734	5	0	2	26,285	5	0	2	246
	530	32,982	4	0	4	30,683	3	0	3	33,468	3	0	3	33,252	3	0	2	36,550	5	0	2	35,935	5	0	2	377	

Visit [www.visionairelighting.com](http://www.visionairelighting.com) for up-to-the-minute chart information, including types not listed here. \* For 4000K multiply values by 0.90

EPA Data

Fixture with Arm							
AME-2	2.2	4.0	4.4	6.0	5.1	7.1	2.6
AME-4	3.4	6.2	6.8	9.2	7.8	10.9	3.9

# American Retrofit LED

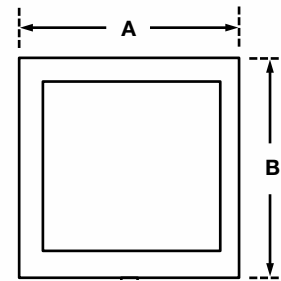
Project Name:

Catalog Number:

Type



## Dimensional Drawings



Fixture	A	B	Max. Watts	Lbs.
AME-2-RL	19"	19"	238 W	18
AME-4-RL	23"	23"	373 W	46

The new American size 2 or size 4 LED Retrofit door frame allows for an easy conversion of any existing Visionaire American 2 or 4 HID luminaire, to LED technology for maximum energy savings. The LEDs performance and life are maximized by the unique integral aluminum heat sink built into the door frame. Maintenance of the drivers is simplified by making them easily accessible and provided with quick wiring connections.

Up to 224 LEDs are available in 350 or 530 mA rating providing up to 33,000 lumens. Six optical distribution patterns are available and feature a unique Type T-4A automotive pattern for the front row of auto dealerships. Choose between 4000 or 5000 Kelvin temperature of the LEDs.

The complete American LED fixture is also readily available for new construction opportunities where the traditional fixture look is required.

The American LED series is an exceptional choice for shopping centers, commercial parking lots, auto dealerships and general parking area lighting.

A durable Polyester powder coat finish is guaranteed for five years; and is available in standard or custom colors.

Model	Optics	Source	Current	Kelvin	Voltage	Finish	Options
AME-2-RL	Type II (T2) 	# of LEDs 72 (72LC)	mA 350 (3)	4000K *Neutral white (4K)	120-277 *Universal voltage (UNV)	Bronze (BZ)	0-10v Dimming Driver No Controls (DIM)  Wireless Controls Consult Factory (WS)
	Type III (T3) 	144 (144LC)	530 (5)	5000K *Cool white (5K)	480 (5)	Black (BK)	
	Type IV (T4) 				347 (8)	Smooth Black (SBK)	
AME-4-RL	Type IV-A (T4A) 	224 (224LC)				White (WH)	
	Type V (T5) 					Smooth White (SWH)	
	Type V-W (T5W) 					Graphite (GP)	
						Grey (GY)	
						Silver Metallic (SL)	
					Custom Color (CC)		

For more detailed information on mounting, wiring or installation instructions, please consult factory. If poles are not ordered with fixtures, please specify mounting requirements. This document contains proprietary information of Visionaire Lighting, LLC. Any use of this information requires the written approval of Visionaire Lighting, LLC. In keeping with our TQM policy of continuous improvement, Visionaire reserves the right to change any specifications contained herein without prior notice.



## Lens and Door Assembly

- Removable hinged door assembly is CNC precision, sheared and formed from one-piece, corrosion-resistant aluminum with captive stainless steel fastener. The LED's and drivers are mounted to an aluminum heat sink that is attached to the door frame.

## Optical System

- The LED light assemblies come with up to 224 LEDs. Six IES distribution patterns are offered as standard; with a unique Type 4 Automotive optic available for Dealerships. The optical system qualifies as IES full cutoff to restrict light trespass, glare, and light pollution.

## Quali-Guard® Finish

- The finish is Quali-Guard® textured, chemically pretreated through a multiple-stage washer, electrostatically applied, thermoset polyester powder coat finish, with a minimum of 3-5 millimeter thickness. Finish is oven-baked at 400°F to promote maximum adherence and finish hardness. All finishes are available in standard and custom colors.

## Electrical Assembly

- The American LED Series is supplied with a choice of 350 or 530 mA high-performance LED drivers that accept 120 v thru 277 v, 50 Hz to 60 Hz, input. Power factor of 90%. Rated for -40°C operations.
- 10 kV surge protector supplied as standard.

## Warranty

- Five (5) year Limited Warranty on entire system, including finish. For full warranty information, visit [www.visionairelighting.com](http://www.visionairelighting.com)

## Options

- Dimming Driver
- Cutoff Louver System
- Wireless Control

Please consult factory for custom options.

## Listings

- American is ETL listed, suitable for wet locations
- LM79 and LM80.
- Power Coated Tough™



**Installation Instructions**  
1. Undo door lock-screw completely until door is released, swing door open and slide to remove from fixture.



2. Release optics from luminaire housing by turning all four quarter turn fasteners.



3. Remove the electrical quick-disconnect assembly and discard optics appropriately.



4. Remove HID ballast and all old electrical components and discard appropriately.



5. Slide LED retrofit door frame on to existing hinge and proceed to verify wattage against label installed on luminaire making all electrical connections per NEC and/or any applicable local codes.



6. Swing up LED retrofit and secure using lock screw to complete door frame installation.

American Size 2 Shown

## American Retrofit LED LUMEN DATA

# of LEDs	Kelvin	mA	Type 2	B	U	G	Type 3	B	U	G	Type 4	B	U	G	Type 4A	B	U	G	Type 5	B	U	G	Type 5W	B	U	G	Watts
72	5000	350	8,470	2	0	2	7,485	2	0	2	8,401	2	0	2	8,069	1	0	1	9,174	3	0	1	9,145	3	0	1	80
	530	11,883	3	0	3	10,501	2	0	2	11,786	2	0	2	11,321	2	0	1	12,871	3	0	1	12,830	3	0	1	120	
144	5000	350	16,423	3	0	3	14,513	3	0	3	16,289	2	0	3	15,656	2	0	1	17,789	4	0	1	17,732	4	0	2	160
	530	21,913	3	0	3	19,365	3	0	3	21,734	3	0	3	20,876	2	0	2	23,736	4	0	2	25,249	4	0	2	238	
224	5000	350	24,124	3	0	3	22,443	3	0	3	24,480	3	0	3	24,322	2	0	2	26,734	5	0	2	26,285	5	0	2	246
	530	32,982	4	0	4	30,683	3	0	3	33,468	3	0	3	33,252	3	0	2	36,550	5	0	2	35,935	5	0	2	377	

Visit [www.visionairelighting.com](http://www.visionairelighting.com) for up-to-the-minute chart information, including types not listed here. \* For 4000K multiply values by 0.90



19645 Rancho Way . Rancho Dominguez, CA 90220  
310.512.6480  
[www.VisionaireLighting.com](http://www.VisionaireLighting.com)