

Fig. 1

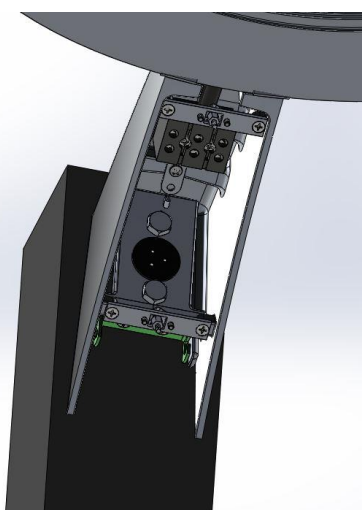


Fig. 2

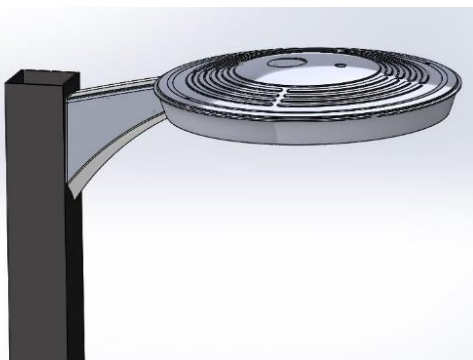


Fig. 3



BEFORE YOU BEGIN

- Read these instructions completely and carefully.
- Save these instructions for future use.



WARNING

- To avoid possible risk of fire or shock turn off power prior to installation or maintenance preferably at circuit breaker. Product must be installed following all NEC and local Electrical Codes.

UNPACKING

- This luminaire has been properly packaged so that no damage shall occur during transportation
- Inspect and confirm

INSTALLATION

- Remove the access cover plate by pulling gently. (Has security cable).
- Align the holes in the pole bolster plate, Arm Mount Casting and pole, and secure in place with 3/8"-16 X 2" thread locking hex head bolts. Tighten to 30 ft-lb. Fig.1
- First supply lead wires and connect to the terminal block per NEC and/or any applicable local codes. Fig. 2
- Replace the access cover plate by pressing. Fig. 3

NOTE :Not to scale, for reference only

