



VISIONAIRE
L I G H T I N G

RLX

LED Luminaires



Roadway LX™ - LED Luminaire

The **Roadway LX™** LED Luminaire from Visionaire combines unique contemporary design with new LED technology and provides optimum lighting and energy savings over traditional lighting systems. Improving on the classic “Cobrahead” luminaire design, the **Roadway LX™** LED will meld seamlessly into any new or upgraded roadway lighting project. The improvements to traditional street lighting include the following:

FIXTURE OVERVIEW

- LED Technology - Reduces fixture wattage and increases lighting uniformity
- Design Flexibility – Offered in two sizes to cover every application
- Low Profile Design - New sleek look mounts to any roadway mast arm
- Tool-Less Access - Ease of installation and maintenance
- Die Cast Aluminum - Construction designed to dissipate heat and withstand the elements
- Multiple Light Patterns - Allow for maximum performance with any street design or pole setback
- Lumens – 2,000 – 45,000 lumens range
- Wattage – 20 – 370 wattage range
- 3000, 4000 or 5000 Kelvin for warm, natural or white light
- Full cutoff optics available in seven distribution patterns
- RP-8-18 Optimized
- 80,000 to 150,000 hours of life for the LED’s
- Add dimming controls for added cost savings and project flexibility

CONSTRUCTION

- All die cast aluminum construction throughout provides lasting durability for the **Roadway LX™** - LED series.
- A die cast aluminum driver compartment allows for cooler operation and longer life of the driver.
- Driver maintenance is simplified with quick disconnects provided as a standard feature.
- The LED’s are mounted to the cast aluminum housing which serves as a heat sink to draw heat away from the LEDs for extended LED life and are totally separated from the driver compartment.

RLX-1 ARRAY LED Specifications



Project Name:

Catalog Number:

Type:

The **RLX-1 Array** series improves on the classic "Cobrahead" luminaire design by introducing the next generation of LED green technology with energy savings of up to fifty percent over traditional light sources, and LED lamp life well beyond 10 years of operations.

The **RLX-1 Array** housing and door are die cast aluminum with integral heat sink, making the entire housing part of the thermal management solution for long life of the LEDs and driver(s).

The fixture is easily and securely mounted with four bolt mounting to 1 1/4" to 2 3/8" diameter mast arms and supplied with a terminal block for easy power connection and a universal bubble level for ease of leveling.

A 10 kV surge protector is supplied as standard. Maintenance, when required, is tool-less; with stainless steel pinch latches; accessing a removable power tray door holding the LED driver. LEDs and driver compartment are both IP65 rated.

Choose from 48 to 80 LED Arrays with multiple drive currents of 350, 530, 700, 1000, 1200 or 1400mA; 3000, 4000 or 5000 Kelvin, and ten (10) optical distribution patterns for complete design flexibility for street and roadway lighting.

Consider the **RLX-1 Array** series, the new standard for roadway and street lighting, bringing LED technology with long life and low maintenance to your world.

Ordering Information

| MODEL | OPTICS | LUMENS | KELVIN | VOLTAGE | MOUNTING | FINISH | OPTIONS | OPTIONS |
|-------|-----------------------------------|------------|--------------------|------------------------|-------------------------------|------------------------------|---|--|
| RLX-1 | T1 Type 1 | 15L | 3K 3000K | UNV 120-277V | MAF Mast Arm Fitter | BZ Bronze | PCR-120 Photocell & Receptacle | ROT-R Rotated Optics Right Side |
| | T2 Type 2 | 20L | 4K 4000K | 8 347V | | BK Black | PCR-208 Photocell & Receptacle | ROT-L Rotated Optics Left Side |
| | T3 Type 3 | 25L | 5K 5000K | 5 480V | | SBK Smooth Black | PCR-240 Photocell & Receptacle | CLS Back Side Cutoff Louver Shield |
| | T3L Type 3 Long | 30L | | | | WH White | PCR-277 Photocell & Receptacle | UMAP Universal Mast Arm Fitter |
| | T4 Type 4 | 35L | | | | SWH Smooth White | PCR-347 Photocell & Receptacle | 20kV 20 kV Surge Protection |
| | T4L Type 4 Long | 40L | | | | GP Graphite | PCR-480 Photocell & Receptacle | DIM 0-10v Dimming Driver |
| | T4A Type 4 Automotive | 45L | | | | GY Grey | PER 3 Pin Photo Receptacle w/shorting cap | VWC Visionaire Wireless Controls Consult Factory |
| | T5SR Type 5 Short Round | | | | | SL Silver Metallic | 5PINPER 5 Pin Photo Receptacle w/shorting cap Requires Dimming Driver | UWL Utility Wattage Label |
| | T5LR Type 5 Long Round | | | | | CC Custom Color | 7PINPER 7 Pin Photo Receptacle w/shorting cap Requires Dimming Driver | |
| | T5LS Type 5 Long Square | | | | | | | |

Housing

The RLX-1 Array housing is constructed from durable, corrosion resistant, die cast aluminum. The integral heat sink is cast as part of the fixture housing. The electrical compartment is separated from the LED array/heat sink structure, and sealed allowing for IP 66 rating of the complete fixture. A molded silicone grommet seals the incoming power leads. Supplied with a bubble level for ease of mounting alignment, and a terminal block for easy power connection.

Door Assembly

The removable die cast aluminum door assembly is sealed with a one-piece silicone gasket. Access to the electrical compartment is tool-less, with sealed, stainless steel pinch latches, making the Roadway LX Array very user friendly. The LED driver(s) are mounted directly to the door assembly, and supplied with quick disconnects for ease of installation and maintenance.

Thermal Management

The housing includes the integral heat sink making the entire housing part of the thermal management solution. The RLX-3 Array is suitable for higher ambient temperatures and drive currents without degrading lamp life.

- Calculated L70 Hours > 125,000 Hours
- L70 Per TM-21 >60,000 Hours
- Lumen Maintenance % at 100,000 hours >92%

Optical System

The highest lumen output LEDs are utilized in the RLX-1 Array series. The Type 3 injection molded Roadway optic is designed specifically for roadway applications. Additional distribution types include Types I, II, III, IV IVA, VS and VL. The optical system qualifies at IES full cutoff to restrict light trespass, glare and light pollution for neighborhood friendly lighting.

CRI values are 70. RLX-1 Array fixture is tested in accordance with IESNA LM-79 testing procedures.

New LED Array Technology

- 4 Diodes now replace a single Led chip and operate at 25% of the drive current allowing for higher efficiency, less heat and longer life. (10 Year Warranty)
- More LEDs at a lower drive current provides a more comfortable visual effect.

Quali-Guard Finish

Fixture components are chemically pretreated through a multi stage wash system. The finish is an electrostatically applied, thermoset super polyester powder coat paint which is oven-baked at 400 °F for maximum adherence and finish hardness. Available in Silver Metallic finish and custom colors. The finish is guaranteed for five (5) years.

- Salt spray test per ASTM B1117 Standard for 3,000 hours

Mounting

The RLX-1 Array mounts directly to roadway mast arms and tenons with an outside diameter ranging from 1 1/4" to 2 3/8" and is adjustable in three incremental positions (0°, 2 1/2° and 5°). An internal four-bolt clamp bracket attaches the fixture securely to the mounting arm with four stainless steel bolts.

Electrical Assembly

- The RLX-1 Array Series is supplied with a choice of 350 to 1400 mA high-performance LED drivers that accept 120 V thru 480 V, 50 Hz to 60 Hz, input. Power factor of 95%. Rated for -40 °C operations.
- 10 kV surge protector supplied as standard.

Warranty

- Ten (10) year Limited Warranty on electrical components, Five (5) year on finish. For full warranty information, please visit visionairelighting.com.

Options

- Photocell & Receptacle
- Photocell receptacle w/shorting cap
- Utility wattage label
- Dimming/Controls
- 0-10 V dimming driver
- Rotated Optics
- Universal Mast Arm Fitter
- 20 kV Surge protection

Listings

- RLX-1 Series is cUL listed, suitable for wet locations.
- LM79 and LM80.
- Meets ANSI C136.31-2001 vibration standards.
- RoHS compliant.
- IP66 listed
- DLC Listed
- Powder Coated Tough™.

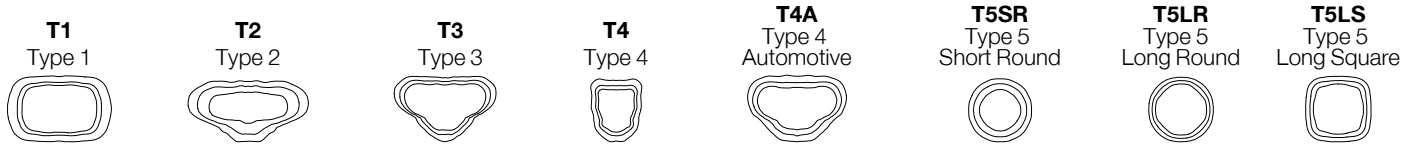


3000K must be selected for IDA certification.

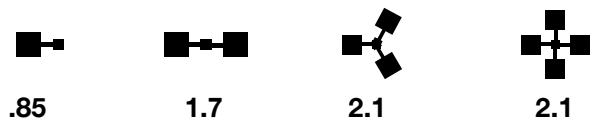
| RLX-1 ARRAY - Electrical Load (A) | | | | | | | |
|-----------------------------------|--------------|------|------|------|------|------|------|
| Ordering Nomenclature | System Watts | 120 | 208 | 240 | 277 | 347 | 480 |
| RLX-1-TX-15L-4K-UNV | 114 | 0.95 | 0.55 | 0.48 | 0.41 | 0.33 | 0.24 |
| RLX-1-TX-20L-4K-UNV | 149 | 1.24 | 0.72 | 0.62 | 0.54 | 0.43 | 0.31 |
| RLX-1-TX-25L-4K-UNV | 172 | 1.43 | 0.83 | 0.72 | 0.62 | 0.50 | 0.36 |
| RLX-1-TX-30L-4K-UNV | 230 | 1.92 | 1.11 | 0.96 | 0.83 | 0.66 | 0.48 |
| RLX-1-TX-35L-4K-UNV | 241 | 2.01 | 1.16 | 1.00 | 0.87 | 0.69 | 0.50 |
| RLX-1-TX-40L-4K-UNV | 276 | 2.30 | 1.33 | 1.15 | 1.00 | 0.80 | 0.58 |
| RLX-1-TX-45L-4K-UNV | 370 | 3.08 | 1.78 | 1.54 | 1.34 | 1.07 | 0.77 |

RLX-1 ARRAY LED Array Specifications

Photometric Optical Summary

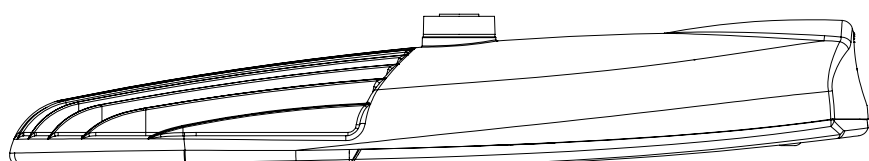
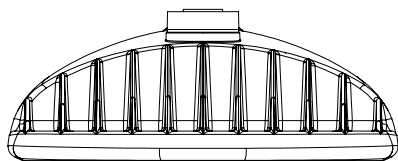
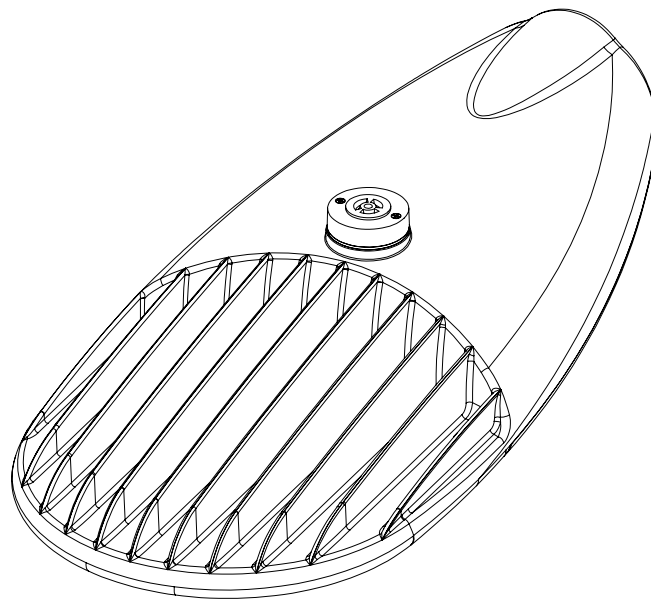
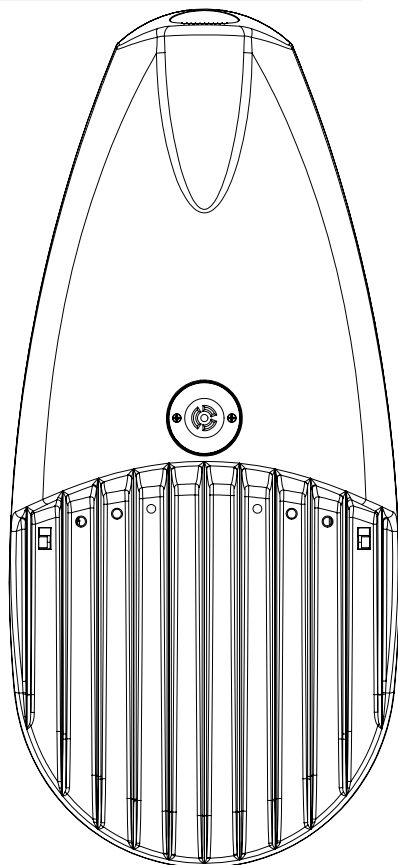
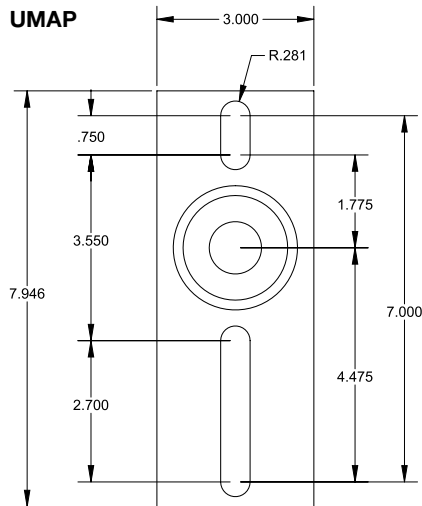


EPA Data



Dimensions

| | |
|---------|-----------|
| Width: | RLX-1 14" |
| Height: | RLX-1 4" |
| Depth: | RLX-1 31" |
| Weight: | 31 LBS |



| RLX-1 ARRAY 3K LUMEN DATA | | | | | | | | | | | | | |
|---------------------------|---------|------|-------|-------|-------|-------|-------|-------|-------|-------|-------|-------|-------|
| Lumens | Current | LEDs | T1 | T2 | T3 | T3L | T4 | T4L | T4A | T5SR | T5LR | T5LS | Watts |
| 15L | 1200 | 32AR | 15104 | 15178 | 14791 | 14540 | 14542 | 14538 | 14901 | 15074 | 14764 | 14577 | 114 |
| 20L | 1050 | 48AR | 20036 | 20134 | 19621 | 19288 | 19290 | 19290 | 19286 | 19996 | 19584 | 19337 | 149 |
| 25L | 1400 | 48AR | 22558 | 22668 | 22091 | 21717 | 21719 | 21719 | 21715 | 22514 | 22050 | 21772 | 172 |
| 30L | 1200 | 64AR | 29924 | 30071 | 29305 | 28809 | 28811 | 28811 | 28807 | 29866 | 29250 | 28881 | 230 |
| 35L | 1050 | 80AR | 32462 | 32621 | 31790 | 31253 | 31255 | 31251 | 31251 | 32399 | 31731 | 31330 | 241 |
| 40L | 1200 | 80AR | 36369 | 36547 | 35616 | 35015 | 35017 | 35013 | 35881 | 36298 | 35550 | 35101 | 276 |
| 45L | 1500 | 80AR | 44027 | 44243 | 43116 | 42388 | 42390 | 42386 | 43437 | 43941 | 43036 | 42492 | 370 |
| RLX-1 ARRAY 4K LUMEN DATA | | | | | | | | | | | | | |
| Lumens | Current | LEDs | T1 | T2 | T3 | T3L | T4 | T4L | T4A | T5SR | T5LR | T5LS | Watts |
| 15L | 1200 | 32AR | 16726 | 16808 | 16380 | 16102 | 16104 | 16100 | 16502 | 16693 | 16350 | 16143 | 114 |
| 20L | 1050 | 48AR | 22188 | 22296 | 21728 | 21361 | 21363 | 21359 | 21890 | 22144 | 21688 | 21414 | 149 |
| 25L | 1400 | 48AR | 24981 | 25103 | 24464 | 24050 | 24052 | 24048 | 24646 | 24932 | 24419 | 24110 | 172 |
| 30L | 1200 | 64AR | 33139 | 33301 | 32453 | 31904 | 31906 | 32694 | 32694 | 33074 | 32393 | 31983 | 230 |
| 35L | 1050 | 80AR | 35949 | 36125 | 35205 | 34610 | 34612 | 35467 | 35467 | 35879 | 35140 | 34696 | 241 |
| 40L | 1200 | 80AR | 40276 | 40473 | 39442 | 38776 | 38778 | 39736 | 39736 | 40197 | 39369 | 38872 | 276 |
| 45L | 1500 | 80AR | 48757 | 48995 | 47747 | 46942 | 46944 | 48103 | 48103 | 48661 | 47659 | 47057 | 370 |
| RLX-1 ARRAY 5K LUMEN DATA | | | | | | | | | | | | | |
| Lumens | Current | LEDs | T1 | T2 | T3 | T3L | T4 | T4L | T4A | T5SR | T5LR | T5LS | Watts |
| 15L | 1200 | 32AR | 16726 | 16808 | 16380 | 16102 | 16104 | 16100 | 16502 | 16693 | 16350 | 16143 | 114 |
| 20L | 1050 | 48AR | 22188 | 22296 | 21728 | 21361 | 21363 | 21359 | 21890 | 22144 | 21688 | 21414 | 149 |
| 25L | 1400 | 48AR | 24981 | 25103 | 24464 | 24050 | 24052 | 24048 | 24646 | 24932 | 24419 | 24110 | 172 |
| 30L | 1200 | 64AR | 33139 | 33301 | 32453 | 31904 | 31906 | 31902 | 32694 | 33074 | 32393 | 31983 | 230 |
| 35L | 1050 | 80AR | 35949 | 36125 | 35205 | 34610 | 34612 | 34608 | 35467 | 35879 | 35140 | 34696 | 241 |
| 40L | 1200 | 80AR | 40276 | 40473 | 39442 | 38776 | 38778 | 38774 | 39736 | 40197 | 39369 | 38872 | 276 |
| 45L | 1500 | 80AR | 48757 | 48995 | 47747 | 46942 | 46944 | 46940 | 48103 | 48661 | 47659 | 47057 | 370 |
| RLX-1 ARRAY 3K LPW DATA | | | | | | | | | | | | | |
| Lumens | Current | LEDs | T1 | T2 | T3 | T3L | T4 | T4L | T4A | T5SR | T5LR | T5LS | Watts |
| 15L | 1200 | 32AR | 133 | 133 | 130 | 128 | 128 | 128 | 131 | 132 | 130 | 128 | 114 |
| 20L | 1050 | 48AR | 134 | 135 | 131 | 129 | 129 | 129 | 132 | 134 | 131 | 130 | 149 |
| 25L | 1400 | 48AR | 131 | 132 | 129 | 127 | 127 | 127 | 130 | 131 | 128 | 127 | 172 |
| 30L | 1200 | 64AR | 130 | 131 | 127 | 125 | 125 | 125 | 128 | 130 | 127 | 126 | 230 |
| 35L | 1050 | 80AR | 135 | 135 | 132 | 130 | 130 | 130 | 133 | 135 | 132 | 130 | 241 |
| 40L | 1200 | 80AR | 132 | 132 | 129 | 127 | 127 | 127 | 130 | 131 | 129 | 127 | 276 |
| 45L | 1500 | 80AR | 119 | 120 | 117 | 115 | 115 | 115 | 117 | 119 | 116 | 115 | 370 |
| RLX-1 ARRAY 4K LPW DATA | | | | | | | | | | | | | |
| Lumens | Current | LEDs | T1 | T2 | T3 | T3L | T4 | T4L | T4A | T5SR | T5LR | T5LS | Watts |
| 15L | 1200 | 32AR | 147 | 148 | 144 | 141 | 141 | 141 | 145 | 147 | 144 | 142 | 114 |
| 20L | 1050 | 48AR | 149 | 149 | 146 | 143 | 143 | 143 | 147 | 148 | 145 | 143 | 149 |
| 25L | 1400 | 48AR | 146 | 146 | 143 | 140 | 140 | 140 | 144 | 145 | 142 | 141 | 172 |
| 30L | 1200 | 64AR | 144 | 145 | 141 | 139 | 139 | 139 | 142 | 144 | 141 | 139 | 230 |
| 35L | 1050 | 80AR | 149 | 150 | 146 | 144 | 144 | 144 | 147 | 149 | 146 | 144 | 241 |
| 40L | 1200 | 80AR | 146 | 146 | 143 | 140 | 140 | 140 | 144 | 145 | 142 | 141 | 276 |
| 45L | 1500 | 80AR | 132 | 132 | 129 | 127 | 127 | 127 | 130 | 132 | 129 | 127 | 370 |
| RLX-1 ARRAY 5K LPW DATA | | | | | | | | | | | | | |
| Lumens | Current | LEDs | T1 | T2 | T3 | T3L | T4 | T4L | T4A | T5SR | T5LR | T5LS | Watts |
| 15L | 1200 | 32AR | 147 | 148 | 144 | 141 | 141 | 141 | 145 | 147 | 144 | 142 | 114 |
| 20L | 1050 | 48AR | 149 | 149 | 146 | 143 | 143 | 143 | 147 | 148 | 145 | 143 | 149 |
| 25L | 1400 | 48AR | 146 | 146 | 143 | 140 | 140 | 140 | 144 | 145 | 142 | 141 | 172 |
| 30L | 1200 | 64AR | 144 | 145 | 141 | 139 | 139 | 139 | 142 | 144 | 141 | 139 | 230 |
| 35L | 1050 | 80AR | 149 | 150 | 146 | 144 | 144 | 144 | 147 | 149 | 146 | 144 | 241 |
| 40L | 1200 | 80AR | 146 | 146 | 143 | 140 | 140 | 140 | 144 | 145 | 142 | 141 | 276 |
| 45L | 1500 | 80AR | 132 | 132 | 129 | 127 | 127 | 127 | 130 | 132 | 129 | 127 | 370 |

RLX-3 ARRAY LED Specifications



Project Name:

Catalog Number:

Type:

The new **RLX-3 Array** series improves on the classic "Cobrahead" luminaire design by introducing the next generation of LED green technology with energy savings of up to fifty percent over traditional light sources, and LED lamp life well beyond 10 years of operations.

The RLX-3 Array housing and door are die cast aluminum with integral heat sink, making the entire housing part of the thermal management solution for long life of the LEDs and driver(s).

The fixture is easily and securely mounted with four bolt mounting to 1 1/4" to 2 3/8" diameter mast arms and supplied with a terminal block for easy power connection and a universal bubble level for ease of leveling.

A 10 kV surge protector is supplied as standard. Maintenance, when required, is tool-less; with stainless steel pinch latches; accessing a removable power tray door holding the LED driver. LEDs and driver compartment are both IP66 rated.

Choose from 20-125 Watts with multiple drive currents of 350, 530, 700, 1000, 1200 or 1400mA; 3000, 4000 or 5000 Kelvin, and five (5) optical distribution patterns for complete design flexibility for street and roadway lighting.

Consider the **RLX-3 Array** series, the new standard for roadway and street lighting, bringing LED technology with long life and low maintenance to your world.

Ordering Information

| MODEL | OPTICS | WATTAGE | KELVIN | VOLTAGE | MOUNTING | FINISH | OPTIONS | OPTIONS |
|-------|-----------------------|--------------------|-------------|--------------------------|------------------------|-----------------------|--|---------------------------------------|
| RLX-3 | T2 Type 2 | 20W | 3K 3000K | UNV 120-277V | MAF Mast Arm Fitter | BZ Bronze | PCR-120 Photocell & Receptacle | ROT-R Rotated Optics Right Side |
| | | 30W | | | | | PCR-208 Photocell & Receptacle | ROT-L Rotated Optics Left Side |
| | T3 Type 3 | 40W | 4K 4000K | 8 347V | WH White | BK Black | PCR-240 Photocell & Receptacle | UMAP Universal Mast Arm Fitter |
| | | 50W | | | | | PCR-277 Photocell & Receptacle | |
| | T3L Type 3 Long | 60W | 5K 5000K | 5 480V | GP Graphite | WH White | PCR-347 Photocell & Receptacle | 20kV 20 kV Surge Protection |
| | | 70W | | | | | PCR-480 Photocell & Receptacle | |
| | T4 Type 4 | 80W | 90W | SL Silver Metallic | GY Grey | WH White | PCR-480 Photocell & Receptacle | DIM 0-10v Dimming Driver |
| | | 90W | | | | | PER 3 Pin Photo Receptacle w/shorting cap | |
| | T4L Type 4 Long | 100W | 110W | SL Silver Metallic | GY Grey | WH White | 5PINPER 5 Pin Photo Receptacle w/shorting cap Requires Dimming Driver | UWL Utility Wattage Label |
| | | 110W | | | | | 7PINPER 7 Pin Photo Receptacle w/shorting cap Requires Dimming Driver | |
| 120W | | HS House Shield | | | | | | |
| | | 125W | | | | CC Custom Color | CLS Cutoff Louver Shield | |

Housing

The RLX-3 Array housing is constructed from durable, corrosion resistant, die cast aluminum. The integrated heat sink is cast as part of the fixture housing. The electrical compartment is separated from the LED array/heat sink structure, and sealed allowing for IP 66 rating of the complete fixture. A molded silicone grommet seals the incoming power leads. Supplied with a bubble level for ease of mounting alignment, and a terminal block for easy power connection.

Door Assembly

The removable die cast aluminum door assembly is sealed with a one-piece silicone gasket. Access to the electrical compartment is tool-less, with sealed, stainless steel pinch latches, making the RLX-3 Array very user friendly. The LED driver(s) are mounted directly to the door assembly, and supplied with quick disconnects for ease of installation and maintenance.

Thermal Management

The housing includes the integral heat sink making the entire housing part of the thermal management solution. The RLX-3 Array is suitable for higher ambient temperatures and drive currents without degrading lamp life.

- Calculated L70 Hours > 125,000 Hours
- L70 Per TM-21 >60,000 Hours
- Lumen Maintenance % at 100,000 hours >92%

Optical System

- The highest lumen output LEDs are utilized in the RLX-3 Array series. The Type 3 Long optic is designed specifically for roadway applications. Additional optical distribution types include Types II, III, IV, and IV-L. The optical system qualifies at IES full cutoff to restrict light trespass, glare and light pollution for neighborhood friendly lighting.
- CRI values are 70.
- RLX-3 Array fixture is tested in accordance with IESNA LM-79 testing procedures.

New LED Array Technology

- 4 Diodes now replace a single Led chip and operate at 25% of the drive current allowing for higher efficiency, less heat and longer life. (10 Year Warranty)
- More LEDs at a lower drive current provides a more comfortable visual effect.

Quali-Guard Finish

Fixture components are chemically pretreated through a multi stage wash system. The finish is an electrostatically applied, thermoset super polyester powder coat paint which is oven-baked at 400 °F for maximum adherence and finish hardness. Available in Silver Metallic finish and custom colors. The finish is guaranteed for five (5) years.

- Salt spray test per ASTM B1117 Standard for 3,000 hours

Mounting

The RLX-3 Array mounts directly to roadway mast arms with an outside diameter ranging from 1 1/4" to 2 3/8" and has a level pad and is adjustable in three incremental positions (0°, 2 1/2° and 5°). An internal four-bolt clamp bracket attaches the fixture securely to the mounting arm with four stainless steel bolts.

Electrical Assembly

- The RLX-3 Array Series is supplied with a choice of 350 to 1400 mA high-performance LED drivers that accept 120 V thru 480 V, 50 Hz to 60 Hz, input. Power factor of 95%. Rated for -40 to 40 °C operations.
- Power Supply rated for 100,000 hours @ 25 °C
- 10 kV surge protector supplied as standard.

Warranty

- Ten (10) year Limited Warranty on electrical components, Five (5) year on finish. For full warranty information, please visit visionairelighting.com.

Options

- Photocell & Receptacle
- Photocell receptacle w/shorting cap
- Utility wattage label
- Dimming/Controls
- 0-10 V dimming driver
- Rotated Optics
- Universal Mast Arm Fitter
- 20 kV Surge protection
- House Shield
- Cutoff Louver Shield

Listings

- RLX-3 Series is cUL listed, suitable for wet locations.
- LM79 and LM80.
- Meets ANSI C136.31-2001 vibration standards.
- RoHS compliant.
- IP66 listed
- DLC Listed
- Powder Coated Tough™.

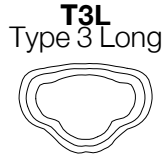
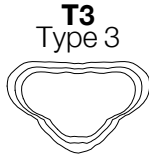
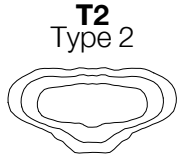


3000K must be selected for IDA certification.

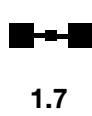
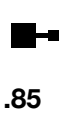
| RLX-3 ARRAY - Electrical Load (A) | | | | | | | |
|-----------------------------------|--------------|------|------|------|------|------|------|
| Ordering Nomenclature | System Watts | 120 | 208 | 240 | 277 | 347 | 480 |
| RLX-3-TX-20W-5K-UNV | 22 | 0.18 | 0.11 | 0.09 | 0.08 | 0.06 | 0.05 |
| RLX-3-TX-30W-5K-UNV | 30 | 0.25 | 0.14 | 0.13 | 0.11 | 0.09 | 0.06 |
| RLX-3-TX-40W-5K-UNV | 41 | 0.34 | 0.20 | 0.17 | 0.15 | 0.12 | 0.09 |
| RLX-3-TX-50W-5K-UNV | 50 | 0.41 | 0.24 | 0.21 | 0.18 | 0.14 | 0.10 |
| RLX-3-TX-60W-5K-UNV | 58 | 0.49 | 0.28 | 0.24 | 0.21 | 0.17 | 0.12 |
| RLX-3-TX-70W-5K-UNV | 67 | 0.56 | 0.32 | 0.28 | 0.24 | 0.19 | 0.14 |
| RLX-3-TX-80W-5K-UNV | 78 | 0.65 | 0.37 | 0.32 | 0.28 | 0.22 | 0.16 |
| RLX-3-TX-90W-5K-UNV | 86 | 0.72 | 0.42 | 0.36 | 0.31 | 0.25 | 0.18 |
| RLX-3-TX-100W-5K-UNV | 94 | 0.79 | 0.45 | 0.39 | 0.34 | 0.27 | 0.20 |
| RLX-3-TX-1100W-5K-UNV | 104 | 0.87 | 0.50 | 0.43 | 0.38 | 0.30 | 0.22 |
| RLX-3-TX-120W-5K-UNV | 114 | 0.95 | 0.55 | 0.48 | 0.41 | 0.33 | 0.24 |
| RLX-3-TX-125W-5K-UNV | 125 | 1.04 | 0.60 | 0.52 | 0.45 | 0.36 | 0.26 |

RLX-3 ARRAY LED Array Specifications

Photometric Optical Summary

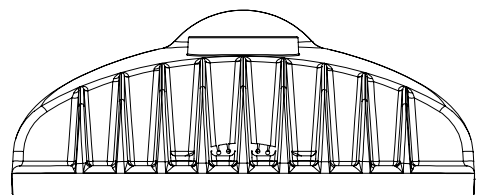
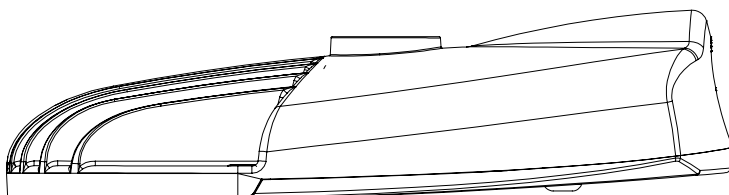
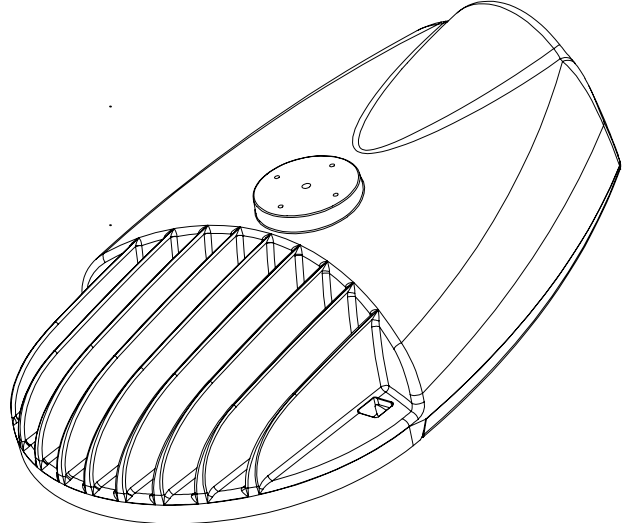
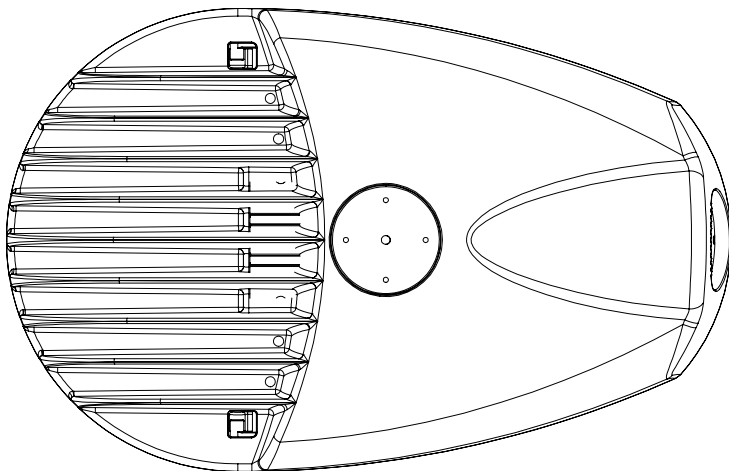
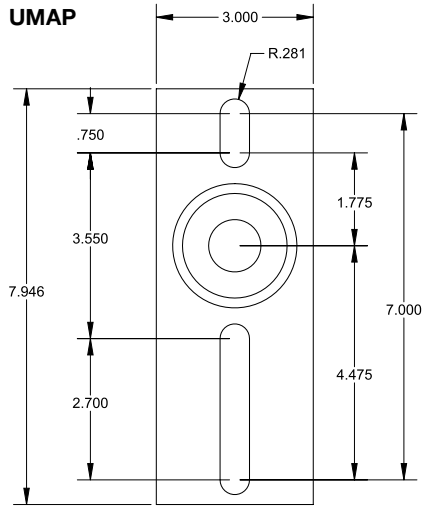


EPA Data



Dimensions

| | |
|----------------|--------------|
| Width: | RLX-3 11" |
| Height: | RLX-3 4.625" |
| Depth: | RLX-3 18" |
| Weight: | 18 LBS |



| RLX-3 3K LUMEN CHART | | | | | | | | | | RLX-3 3K LUMEN PER WATT CHART | | | | | | | | | |
|----------------------|---------------------|------------------|---------------|-------|-------|-------|-------|-------|---------|-------------------------------|---------------------|------------------|---------------|-----|-----|-----|-----|-----|---------|
| #LEDs | Driver Current (mA) | LED Current (mA) | Wattage Label | T2 | T3 | T3L | T4 | T4L | Wattage | #LEDs | Driver Current (mA) | LED Current (mA) | Wattage Label | T2 | T3 | T3L | T4 | T4L | Wattage |
| 24AR | 280 | 70 | 20W | 2604 | 2534 | 2264 | 2492 | 2290 | 22 | 24AR | 280 | 70 | 20W | 119 | 116 | 104 | 114 | 105 | 22 |
| | 400 | 100 | 30W | 3746 | 3646 | 3257 | 3585 | 3295 | 30 | | 400 | 100 | 30W | 125 | 121 | 108 | 119 | 110 | 30 |
| | 560 | 140 | 40W | 5227 | 5087 | 4545 | 5003 | 4598 | 41 | | 560 | 140 | 40W | 127 | 124 | 111 | 122 | 112 | 41 |
| | 680 | 170 | 50W | 6304 | 6135 | 5481 | 6033 | 5545 | 50 | | 680 | 170 | 50W | 127 | 123 | 110 | 121 | 112 | 50 |
| | 800 | 200 | 60W | 7364 | 7167 | 6403 | 7048 | 6477 | 58 | | 800 | 200 | 60W | 127 | 123 | 110 | 121 | 111 | 58 |
| | 920 | 230 | 70W | 8354 | 8131 | 7264 | 7995 | 7348 | 67 | | 920 | 230 | 70W | 125 | 122 | 109 | 120 | 110 | 67 |
| | 1080 | 270 | 80W | 9663 | 9405 | 8402 | 9248 | 8500 | 78 | | 1080 | 270 | 80W | 125 | 121 | 108 | 119 | 110 | 78 |
| | 1200 | 300 | 90W | 10604 | 10320 | 9220 | 10148 | 9327 | 86 | | 1200 | 300 | 90W | 123 | 119 | 107 | 117 | 108 | 86 |
| | 1320 | 330 | 100W | 11487 | 11180 | 9988 | 10993 | 10104 | 94 | | 1320 | 330 | 100W | 122 | 118 | 106 | 116 | 107 | 94 |
| | 1440 | 360 | 110W | 12446 | 12113 | 10822 | 11911 | 10948 | 105 | | 1440 | 360 | 110W | 119 | 116 | 103 | 114 | 105 | 105 |
| | 1560 | 390 | 120W | 13401 | 13042 | 11652 | 12825 | 11787 | 114 | | 1560 | 390 | 120W | 117 | 114 | 102 | 112 | 103 | 114 |
| 1750 | 438 | 125W | 13732 | 13365 | 11940 | 13142 | 12079 | 128 | 1750 | 438 | 125W | 108 | 105 | 94 | 103 | 95 | 128 | | |
| RLX-3 4K LUMEN CHART | | | | | | | | | | RLX-3 4K LUMEN PER WATT CHART | | | | | | | | | |
| #LEDs | Driver Current (mA) | LED Current (mA) | Wattage Label | T2 | T3 | T3L | T4 | T4L | Wattage | #LEDs | Driver Current (mA) | LED Current (mA) | Wattage Label | T2 | T3 | T3L | T4 | T4L | Wattage |
| 24AR | 280 | 70 | 20W | 2747 | 2674 | 2389 | 2629 | 2417 | 22 | 24AR | 280 | 70 | 20W | 126 | 122 | 109 | 120 | 111 | 22 |
| | 400 | 100 | 30W | 3952 | 3847 | 3437 | 3783 | 3477 | 30 | | 400 | 100 | 30W | 131 | 128 | 114 | 126 | 116 | 30 |
| | 560 | 140 | 40W | 5516 | 5368 | 4796 | 5279 | 4851 | 41 | | 560 | 140 | 40W | 134 | 131 | 117 | 129 | 118 | 41 |
| | 680 | 170 | 50W | 6651 | 6474 | 5783 | 6366 | 5851 | 50 | | 680 | 170 | 50W | 134 | 130 | 116 | 128 | 118 | 50 |
| | 800 | 200 | 60W | 7770 | 7562 | 6756 | 7436 | 6835 | 58 | | 800 | 200 | 60W | 133 | 130 | 116 | 128 | 117 | 58 |
| | 920 | 230 | 70W | 8815 | 8579 | 7665 | 8436 | 7754 | 67 | | 920 | 230 | 70W | 132 | 129 | 115 | 127 | 116 | 67 |
| | 1080 | 270 | 80W | 10196 | 9923 | 8866 | 9758 | 8969 | 78 | | 1080 | 270 | 80W | 131 | 128 | 114 | 126 | 116 | 78 |
| | 1200 | 300 | 90W | 11189 | 10890 | 9729 | 10708 | 9842 | 86 | | 1200 | 300 | 90W | 129 | 126 | 113 | 124 | 114 | 86 |
| | 1320 | 330 | 100W | 12121 | 11797 | 10539 | 11600 | 10662 | 94 | | 1320 | 330 | 100W | 128 | 125 | 112 | 123 | 113 | 94 |
| | 1440 | 360 | 110W | 13133 | 12782 | 11419 | 12569 | 11552 | 105 | | 1440 | 360 | 110W | 125 | 122 | 109 | 120 | 110 | 105 |
| | 1560 | 390 | 120W | 14140 | 13762 | 12295 | 13533 | 12438 | 114 | | 1560 | 390 | 120W | 124 | 121 | 108 | 119 | 109 | 114 |
| 1750 | 438 | 125W | 14490 | 14103 | 12599 | 13868 | 12745 | 128 | 1750 | 438 | 125W | 114 | 111 | 99 | 109 | 100 | 128 | | |
| RLX-3 5K LUMEN CHART | | | | | | | | | | RLX-3 5K LUMEN PER WATT CHART | | | | | | | | | |
| #LEDs | Driver Current (mA) | LED Current (mA) | Wattage Label | T2 | T3 | T3L | T4 | T4L | Wattage | #LEDs | Driver Current (mA) | LED Current (mA) | Wattage Label | T2 | T3 | T3L | T4 | T4L | Wattage |
| 24AR | 280 | 70 | 20W | 2747 | 2674 | 2389 | 2629 | 2417 | 22 | 24AR | 280 | 70 | 20W | 126 | 122 | 109 | 120 | 111 | 22 |
| | 400 | 100 | 30W | 3952 | 3847 | 3437 | 3783 | 3477 | 30 | | 400 | 100 | 30W | 131 | 128 | 114 | 126 | 116 | 30 |
| | 560 | 140 | 40W | 5516 | 5368 | 4796 | 5279 | 4851 | 41 | | 560 | 140 | 40W | 134 | 131 | 117 | 129 | 118 | 41 |
| | 680 | 170 | 50W | 6651 | 6474 | 5783 | 6366 | 5851 | 50 | | 680 | 170 | 50W | 134 | 130 | 116 | 128 | 118 | 50 |
| | 800 | 200 | 60W | 7770 | 7562 | 6756 | 7436 | 6835 | 58 | | 800 | 200 | 60W | 133 | 130 | 116 | 128 | 117 | 58 |
| | 920 | 230 | 70W | 8815 | 8579 | 7665 | 8436 | 7754 | 67 | | 920 | 230 | 70W | 132 | 129 | 115 | 127 | 116 | 67 |
| | 1080 | 270 | 80W | 10196 | 9923 | 8866 | 9758 | 8969 | 78 | | 1080 | 270 | 80W | 131 | 128 | 114 | 126 | 116 | 78 |
| | 1200 | 300 | 90W | 11189 | 10890 | 9729 | 10708 | 9842 | 86 | | 1200 | 300 | 90W | 129 | 126 | 113 | 124 | 114 | 86 |
| | 1320 | 330 | 100W | 12121 | 11797 | 10539 | 11600 | 10662 | 94 | | 1320 | 330 | 100W | 128 | 125 | 112 | 123 | 113 | 94 |
| | 1440 | 360 | 110W | 13133 | 12782 | 11419 | 12569 | 11552 | 105 | | 1440 | 360 | 110W | 125 | 122 | 109 | 120 | 110 | 105 |
| | 1560 | 390 | 120W | 14140 | 13762 | 12295 | 13533 | 12438 | 114 | | 1560 | 390 | 120W | 124 | 121 | 108 | 119 | 109 | 114 |
| 1750 | 438 | 125W | 14490 | 14103 | 12599 | 13868 | 12745 | 128 | 1750 | 438 | 125W | 114 | 111 | 99 | 109 | 100 | 128 | | |

Optional Photo Cell Receptacle

Die Cast Housing

Lightweight with integral heat sink design and serrated mounting surface.

Weep Holes

Designed into fixture to drain moisture.

Integral Heat Sink

Draws heat away from LED junction points and extends life.

LED Light Arrays

Scalable design for any mounting height or light level requirement.

Universal Bubble Level

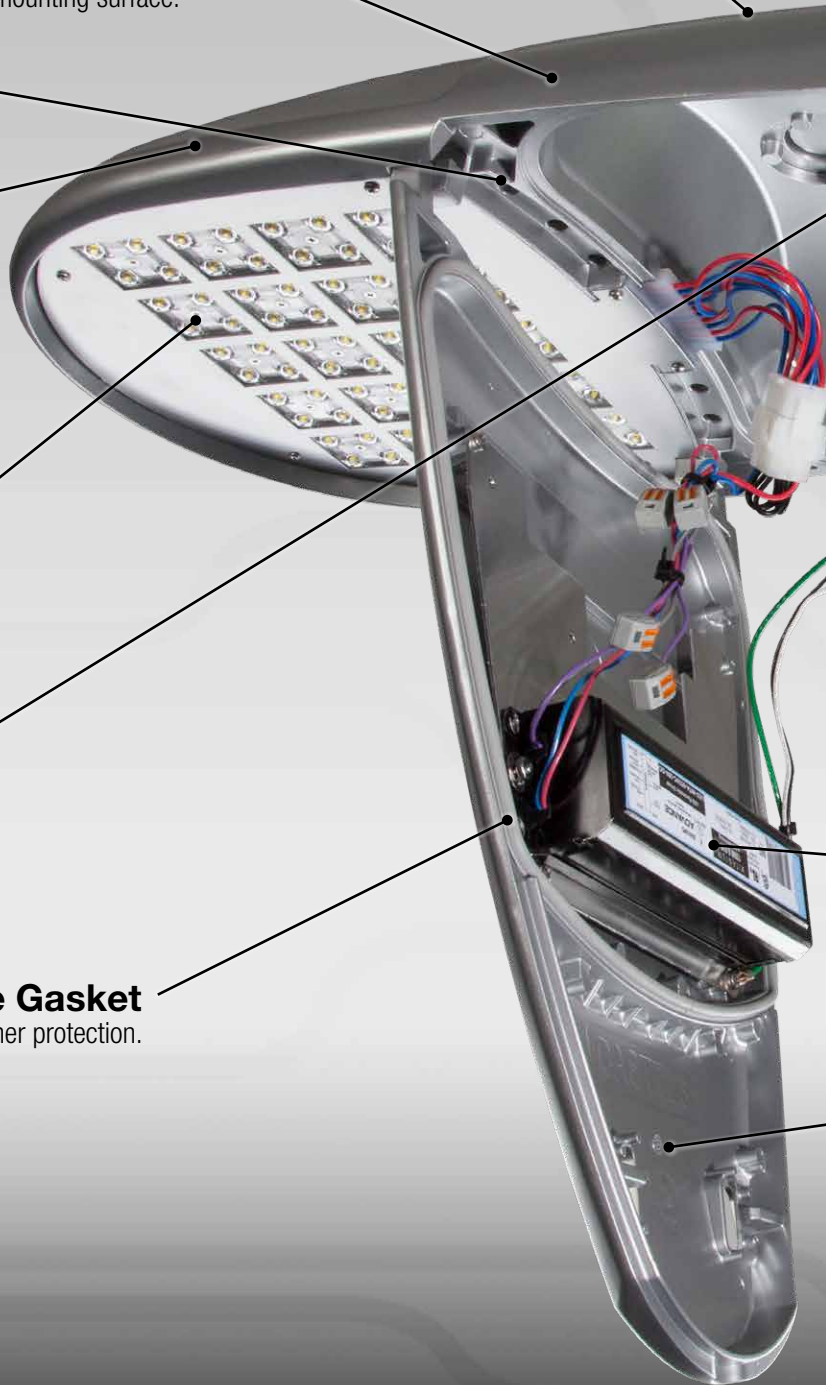
For ease of mounting alignment.

One-Piece Silicone Gasket

For complete weather protection.



RLX-3
with Embedded
Wireless Controls



Quali-Guard Finish

5 stage powder coat paint finish for optimal appearance and durability.

Driver Compartment

Separated from LED array/heat sink structure, and allowing for weather tight sealing for IP66 rating.

Vertical Adjustment

0, 2 1/2 and 5 degree incremental adjustment positions.

Mounting Brackets

2 cadmium-plated brackets and 4 stainless steel bolts mount fixture securely to 1 1/4" to 2 3/8" diameter arm.

Stainless Steel Pinch Latch

Tool-less entry for easier access.

Molded Silicone Grommet

Seals the incoming power wire.

Surge Protector

10 kV surge protector supplied as standard.

Terminal Block

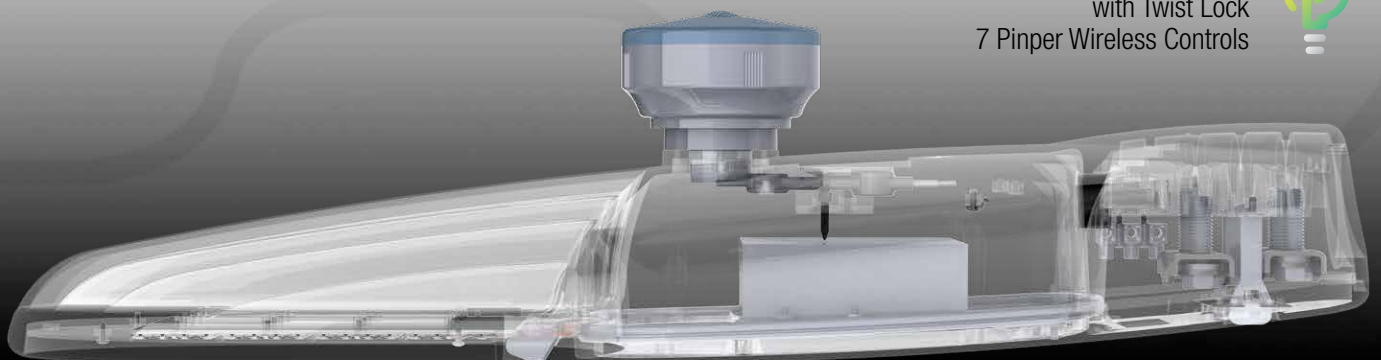
For easy power connection.
Maximum 8-gauge wire.

LED Driver

High performance with a power factor greater than 90% and rated for -40° C operation. Supplied with quick disconnects for ease of service.

Die Cast Door

Is easily removable without tools for service.



RLX-1
with Twist Lock
7 Pinper Wireless Controls



Installation Instructions

WARNING

- To avoid possible risk of fire or shock turn off power prior to installation or maintenance preferably at the circuit breaker.
- Product must be installed following all NEC and local Electrical Codes.

UNPACKING

1. This luminaire has been properly packaged so that no damage shall occur during transportation.
2. Inspect and confirm.

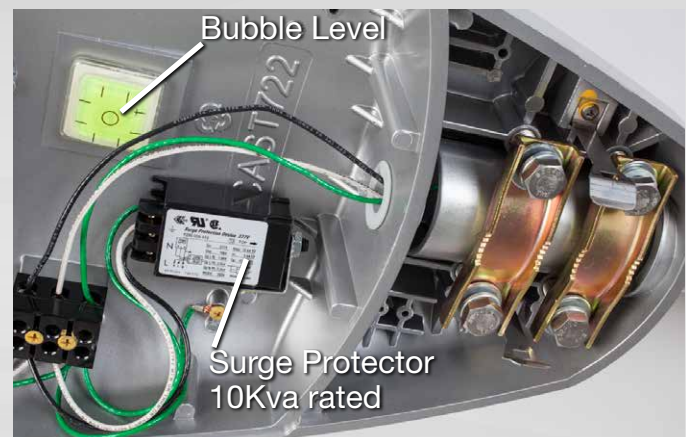


INSTALLATION

3. Open tool-less access clips and gently swing service door downward.



4. Loosen the four 1/2" - 13 hex head bolts holding the two clamp brackets enough to slide luminaire deep, until arm rest on steps that would sit between the mast arm and pipe clamps.
5. Run electrical feed wires thru molded silicone grommet to inside of luminaire terminal block.



LEVELING

6. Using the different step heights, adjust the luminaire using the bubble level.
7. Confirm that the luminaire is properly leveled.



SECURING

8. Tighten both sets of pipe clamp bolts to fully secure the luminaire to the pole, using recommended torque 180 to 240 in-lbf (15 to 20 ft-lbf / 20 to 27 Nm)
9. Inspect and confirm.



CAUTION

- Prevent over torque damage.
- Do not over torque nuts and bolts.



AC CONNECTION

10. Verify existing input voltage and select matching voltage accordingly. Make all electrical connections in accordance with national and local electrical code using the provided terminal block.
11. Connect primary electrical feed wires



FINAL ASSEMBLY

12. Close door verifying that the gasket is seated properly and tool-less access clips are properly engaged.





 **VISIONAIRE**
L I G H T I N G

19645 Rancho Way, Rancho Dominguez, CA 90220
310.512.6480 • www.visionairelighting.com

REV 01/03/2020