

Nut Covers (standard)

Dart Square -2T
Optional Square Base Cover

Round Tapered Aluminum Pole

Pole Shaft

• Spun tapered from 6063 alloy aluminum tubing. Shaft is furnished with aluminum ground lug inside pole, opposite hand hole opening. Pole shaft includes a reinforced hand hole opening with cover.

Base

• One piece, high quality aluminum alloy casting for strength and durability. Base is circumferentially welded to pole shaft. Furnished with (4) flush mount vandal resistant anchor nut covers. Consult factory for pole base templates.

• Base templates provided with order. Do not pre-pour.

Pole Cap

• Color-impregnated polymer snap-to-close pole cap provided in black.

Finish

• All poles are ground and chemically pretreated through a multi-stage washer prior to painting. A Quali-Guard® textured thermoset polyester powder coat is then applied to a minimum of 3 mils and then oven-baked at a temperature of 400 °F to promote exceptional adherence and finish hardness. Optional Zinc-Free Primer - Recommended within three miles of the ocean. Pole finish is warranted for a full two (2) years. An optional five (5) year extended warranty is also available.

Project Name:

Catalog Number:







Type:

Date:

Location:

Anchor Bolts

Anchor bolts conform to ASTM F1554 Grade 55 and are provided with two hex nuts and two flat washers. Bolts have an “L” bend on one end and are galvanized a minimum of 12” on the threaded end.

MODEL	HEIGHT	GAUGE	BASE	ANCHORAGE	MOUNTING
RTAP Round Tapered Aluminum Pole	10'	*Consult Factory	*Consult Factory	*Consult Factory	S1 Single Bolt-On Arm 
	12'				D2 Double 180° Bolt-On Arm 
	14'				D9 Double 90° Bolt-On Arm 
	16'				T1 Triple 120° Bolt-On Arm 
	18'				T9 Triple 90° Bolt-On Arm 
	20'				QD Quad Bolt-On Arm 
	22'				
	25'				
	28'				
	30'				
	35'				

Tenon Options

T238R
2 3/8"

T3R
3"

T3.5R
3 1/2"

FINISH	OPTIONS
BZ Bronze	GFI GFI Receptacle *Standard location is in hand hole. *Specify GFI location if different from hand hole location. Supplied with in use cover.
BK Black	CUP1/2 Coupling 1/2" *Specify location
SBK Smooth Black	CUP3/4 Coupling 3/4" *Specify location
WH White	Dart Square - 2T Square Base Cover
SWH Smooth White	IVD Internal Vibration Dampener
GP Graphite	EB Eye Bolt
GY Grey	UL UL Certified
SL Silver Metallic	
GN Tennis Green	
FG Forest Green	
CC Custom Color	
ANO Anodized *No Paint	
XX+ANO Powder Coat Paint Over Anodized	
ZFP Zinc-Free Primer Coat *Consult Factory	

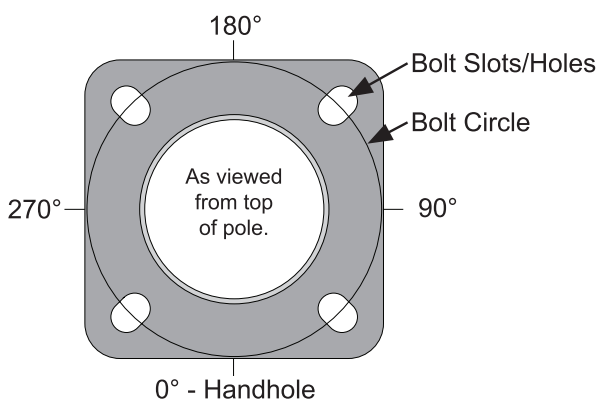
*Consult factory for EPA data.

For Direct Burial EPA, consult factory

· CAUTION: If any additional stress such as flags, banners, streamers, ropes, or any other such items are added to poles, Visionaire Lighting's normal product guarantee is null and void. Additionally, adding such items to any pole may create severely hazardous conditions. Poles are calculated to withstand steady wind velocities of between 70 and 100 mph wind zones with a 1.3 gust factor depending on height, wall thickness, and width/ diameter. For an exact rating on a specific order, contact Visionaire directly.

· Certain geographic areas experience unique wind conditions that can cause wind-induced vibrations leading to a fatigue problem. There is currently no known method to predict destructive vibration of lighting poles. These conditions are unique and cannot be guaranteed against, and it is the responsibility of a site engineer to address them locally.

Anchor Base Detail

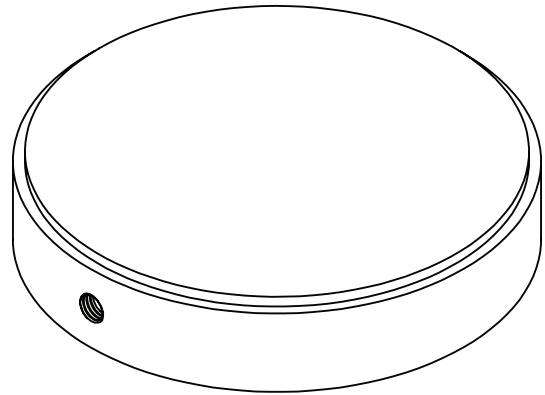


Eye Bolt

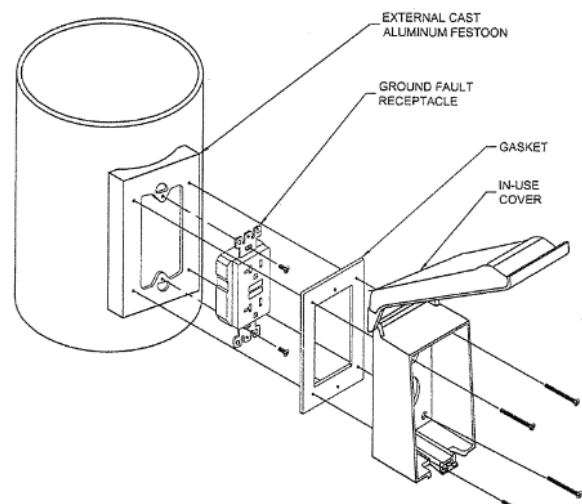
Specify orientation, height and location.
1 17/32" Max eye diameter. Standard position 6" downwards from top, same side as standard hand hole.

**UL Certified**

UL Certified option comes supplied with aluminum pole cap as standard.

**GFI Receptacle**

Standard location is in hand hole.
Supplied with in-use cover.



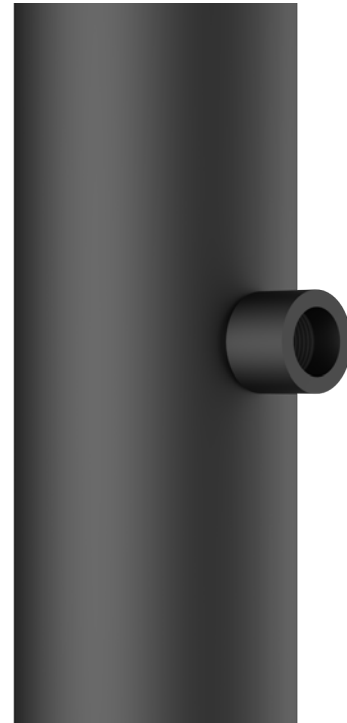
1/2" Coupling

Specify orientation, height and location

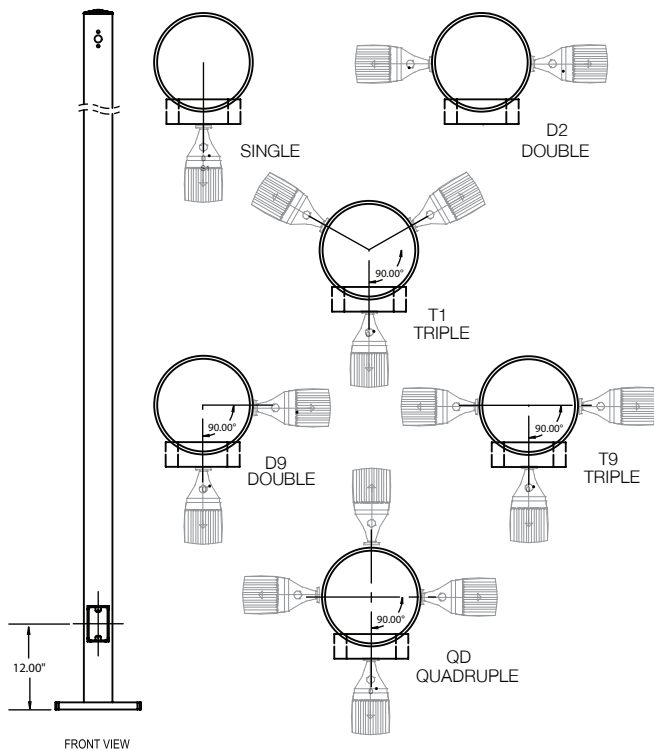


3/4" Coupling

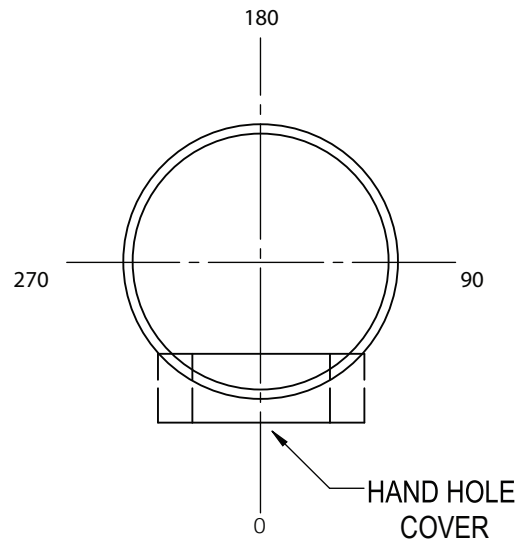
Specify orientation, height and location



Hand Hole And Fixture Orientation



Hand Hole And Accesories Orientation



Internal Vibration Dampener

FIELD INSTALLED VIBRATION DAMPENER**INSTALLATION PROCEDURE:**

CAUTION: BEFORE INSTALLATION, POWER TO THE POLE SHOULD BE DISCONNECTED AND AN INSPECTION MADE BY AN AUTHORIZED ELECTRICIAN TO ENSURE THAT THE WIRING AND ELECTRICAL COMPONENTS WILL ALLOW FOR EASY AND SAFE INSERTION OF THE DAMPENING SYSTEM. ITEMS SUCH AS TERMINAL BLOCK AND FUSE ASSEMBLIES MAY REQUIRE TEMPORARY REMOVAL.

1. REMOVE THE TRANSFORMER BASE DOOR FROM THE POLE IN WHICH THE DAMPENER IS TO BE INSERTED.
2. INSERT ONE END OF THE DAMPENER INTO THE POLE THROUGH THE TRANSFORMER BASE DOOR OPENING.
3. PUSH THE DAMPENER INTO THE POLE. (THE DAMPENER WILL "SNAKE" UP INSIDE THE POLE)
4. WHEN THE DAMPENER IS FULLY INSERTED, IT WILL SLIP DOWN TO REST ON THE FOUNDATION. IT IS IMPORTANT THAT THE DAMPENER BE LOWERED SLOWLY, WITH THE BOTTOM END HELD TIGHTLY TO ONE SIDE IN ORDER TO PREVENT DAMAGE TO THE ELECTRICAL COMPONENTS.
5. RETURN THE TRANSFORMER BASE DOOR TO THE POLE.

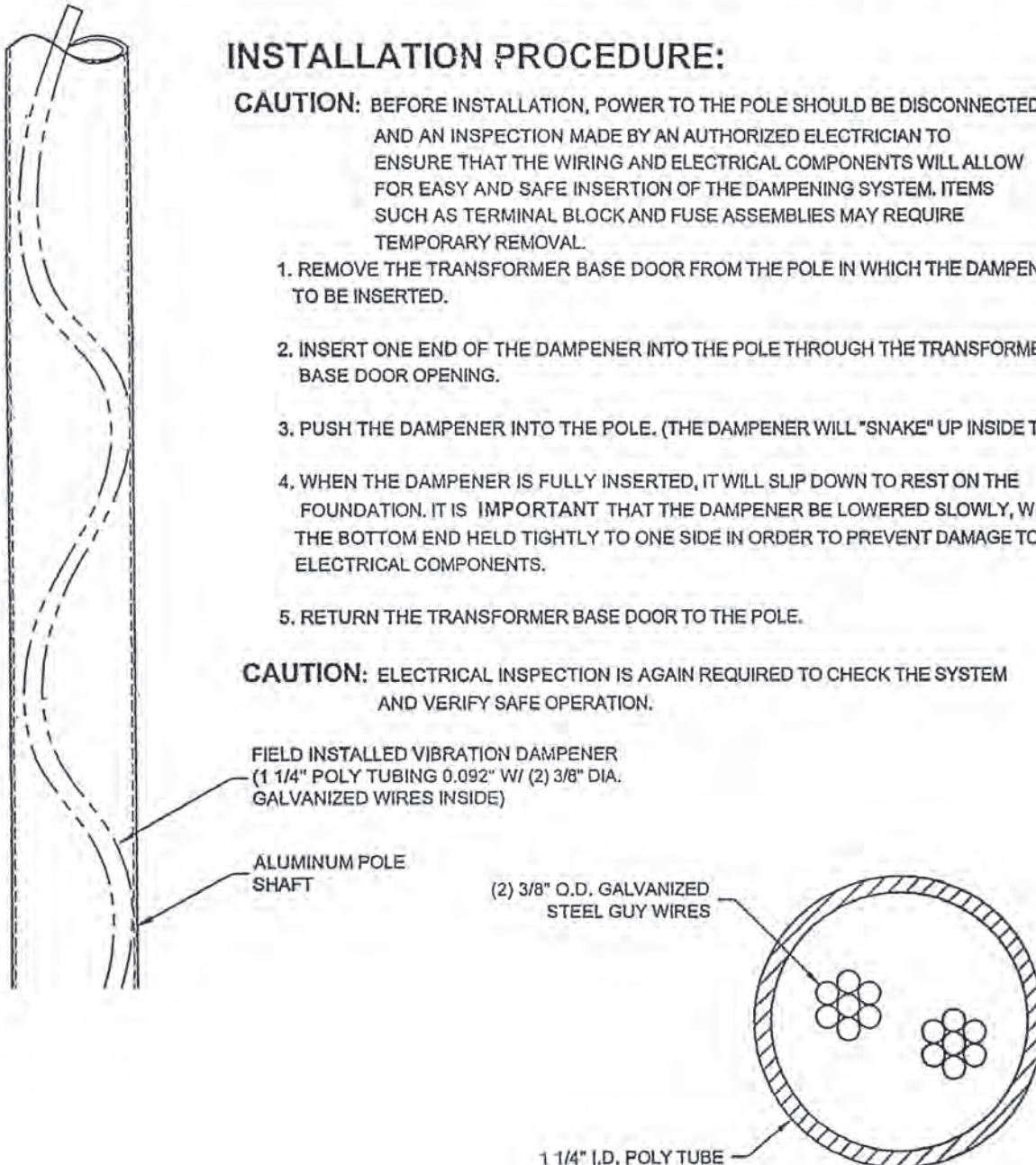
CAUTION: ELECTRICAL INSPECTION IS AGAIN REQUIRED TO CHECK THE SYSTEM AND VERIFY SAFE OPERATION.

FIELD INSTALLED VIBRATION DAMPENER
(1 1/4" POLY TUBING 0.092" W/ (2) 3/8" DIA.
GALVANIZED WIRES INSIDE)

ALUMINUM POLE
SHAFT

(2) 3/8" O.D. GALVANIZED
STEEL GUY WIRES

1 1/4" I.D. POLY TUBE

**VIBRATION DAMPENER CROSS SECTION**

Standard Finish Colors

