



Fig. 1



BEFORE YOU BEGIN

- Read these instructions completely and carefully.
- Save these instructions for future use.



WARNING

- To avoid possible risk of fire or shock turn off power prior to installation or maintenance preferably at circuit breaker. Product must be installed following all NEC and local Electrical Codes.

UNPACKING

- This luminaire has been properly packaged so that no damage shall occur during transportation
- Inspect and confirm

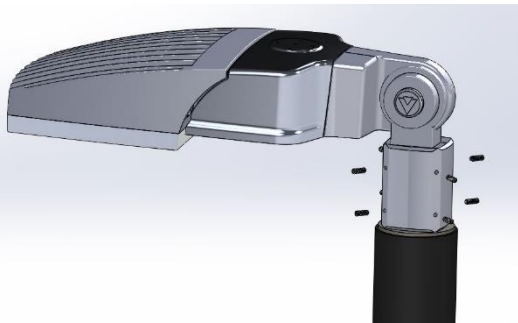


Fig. 2

INSTALLATION

- Connect supply wire that the luminaire has (at least 6").
- Slide the luminaire onto pole / pole top tenon (Fig.1).
- Orient the luminaire in the desired position and tighten 1/4-20 set screws to 6 ft-lb (Fig. 2).
- Loosen (do not remove) the #8-32 set screw and remove the knuckle cover.
- If necessary, loosen 1/2" hex head bolt then tilt the luminaire in the desired position, each tooth allows for 10 degrees of inclination (Fig.3).
- Tighten 1/2" hex head bolt to 47 ft-lb.
- Replace the knuckle cover and tighten #8-32 screw to 16 in-lb

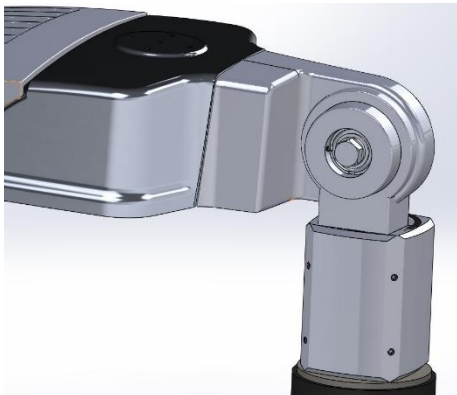


Fig. 3

