

VLX-XL Array LED Specifications



Project Name:

Catalog Number:

Type:

The new **VLX-XL Array LED** Series offers clean, functional styling that is defined by its sleek low profile design and rugged construction. It combines the latest LED Array technology, advanced LED thermal management and provides outdoor lighting that is both energy efficient and aesthetically pleasing.

The LED Arrays performance and the driver's life are maximized by enclosing them in two separate die cast aluminum housings. Easy access for mounting and maintenance.

The VLX-XL Array LED fixture is offered with lumen packages ranging from 55,000 - 90,000. Choose between 3000, 4000 or 5000 Kelvin temperature of the LEDs.

A durable polyester powder coat finish is guaranteed for five years; and is available in standard or custom colors.

The **VLX-XL Array LED** series is an exceptional choice for commercial parking lots, office complexes, architectural projects, and other general lighting projects.

Ordering Information

MODEL	OPTICS	LUMENS	KELVIN	VOLTAGE	MOUNTING	FINISH	OPTIONS	OPTIONS
VLX-XL	T1 Type 1	55L	3K 3000K	UNV 120-277V	AM Arm Mount	BZ Bronze	PCR-120 PCR-208 PCR-240 PCR-277 PCR-347 PCR-480 Photocell & Receptacle	RPP Round Pole Plate Adaptor - For 3-5"Ø Pole
	T2 Type 2	60L	4K 4000K	8 347V	Round Pole Plate Adaptors (RPP) are to be ordered separately.	BK Black	PCR-277 PCR-347 PCR-480 Photocell & Receptacle	HS House Side Shield
	T3 Type 3	70L	5K 5000K	5 480V		SBK Smooth Black	PCR-480 Photocell & Receptacle	VWC Visionaire Wireless Controls *Consult Factory
	T3L Type 3 Long	80L				WH White	PER 5PINPER 7PINPER 3, 5, or 7 Pin Photo Receptacle w/shorting cap Requires Dimming Driver	BAWP-XL Bolt-on Wall Plate
	T4 Type 4	90L				SWH Smooth White		DIM 0-10v Dimming Driver
	T4L Type 4 Long					GP Graphite		CLS Backside cutoff shield
	T4A Type 4 Automotive					GY Grey	WSC-8 Motion Sensor 8' Mounting Height	RCLS Rightside cutoff shield
	T5SR Type 5 Short Round					SL Silver Metallic	WSC-20 Motion Sensor 9-20' Mounting Height	LCLS Leftside cutoff shield
	T5LR Type 5 Long Round					CC Custom Color	WSC-40 Motion Sensor 21-40' Mounting Height	
	T5LS Type 5 Long Square						*The WSC option will require (1) FSR 100 remote for programming	

Features & Specifications

VLX-XL Array

Heatsink

Die cast aluminum heatsink with integral cooling fins for thermal management.

Mounting Arm/Driver Compartment

Durable two-piece cast aluminum driver compartment sealed with a one-piece silicone gasket.

Thermal Management

- The VLX-XL Array series provides excellent thermal management by mounting the LED Arrays to the substantial heat sink of the housing. This enables the Luminaire to withstand higher ambient temperatures and driver currents without degrading LED life.
- The L70 test determines the point in an LEDs life when it reaches 70 percent of its initial output. The VLX-XL Array series LEDs have been determined to last 90,000+ hours in 25° C environments when driven at 1400 mA.

Optical System

- The highest lumen output LED Arrays are utilized in the VLX-XL Array series. IES distribution Types II, III, IV and V are available. The optical system qualifies as IES full cutoff to restrict light trespass, glare and light pollution.
- CRI values are 70.

New LED Array Technology

- 4 Diodes now replace a single Led chip and operate at 25% of the drive current allowing for higher efficiency, less heat and longer life. (10 Year Warranty)
- More LEDs at a lower drive current provides a more comfortable visual effect.

Quali-Guard® Finish

- The finish is a Quali-Guard® textured, chemically pretreated through a multiple-stage washer, electrostatically applied, thermoset polyester powder coat finish, with a minimum of 3-5 millimeter thickness. Finish is oven-baked at 400° F to promote maximum adherence and finish hardness. All finishes are available in standard and custom colors.
- Finish is guaranteed for five (5) years.

Electrical Assembly

- The VLX-XL Array LED series is supplied with a choice of either 1080 or 1120 mA high-performance LED drivers that accept 120v thru 480v, 50 Hz to 60 Hz, input. Power factor of 90%.
- Rated for -40°C operations.
- 10 kV surge protector supplied as standard.
- Terminal block supplied as standard.

Warranty

- Ten (10) year Limited Warranty on electrical components.
 - Five (5) year on finish.
- For full warranty information, please visit visionairelighting.com.

Options

- Photocell & receptacle
- Photo receptacle w/ shorting cap
- 0-10v Dimming Driver
- Motion Sensor
- Visionaire Wireless Control
 - Enables high end trim
 - Based on Zigbee wireless communication protocol
- Round pole plate adapter
- Rotated Optics
- Cutoff Shielding
- Bolt-on Wall Plate

Listings

- The VLX-XL Array Series is cUL Listed
- IP65 Rated Housing
- ANSI Certification
- Powder Coated Tough
- IDA Certification



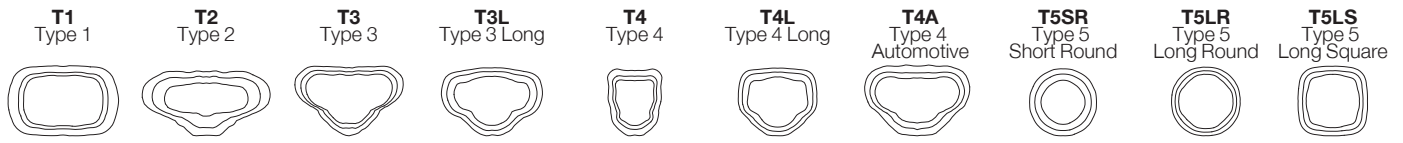
3000K must be selected with a fixed mount for IDA certification.
Fixed mount must be selected for IDA dark sky certification.

VLX-XL ARRAY - ELECTRICAL LOAD (A)

Ordering Nomenclature	System Watts	120	208	240	277	347	480
VLX-XL-1-T5LS-55L	410	3.42	1.97	1.71	1.48	1.18	0.85
VLX-XL-1-T5LS-60L	460	3.83	2.21	1.92	1.66	1.33	0.96
VLX-XL-1-T5LS-70L	540	4.50	2.60	2.25	1.95	1.56	1.13
VLX-XL-1-T5LS-80L	610	5.08	2.93	2.54	2.20	1.76	1.27
VLX-XL-1-T5LS-90L	680	5.67	3.27	2.83	2.45	1.96	1.42

VLX-XL Array LED Specifications

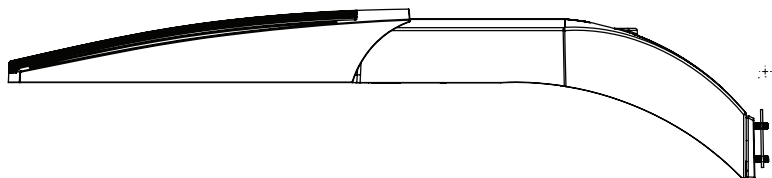
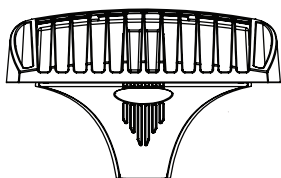
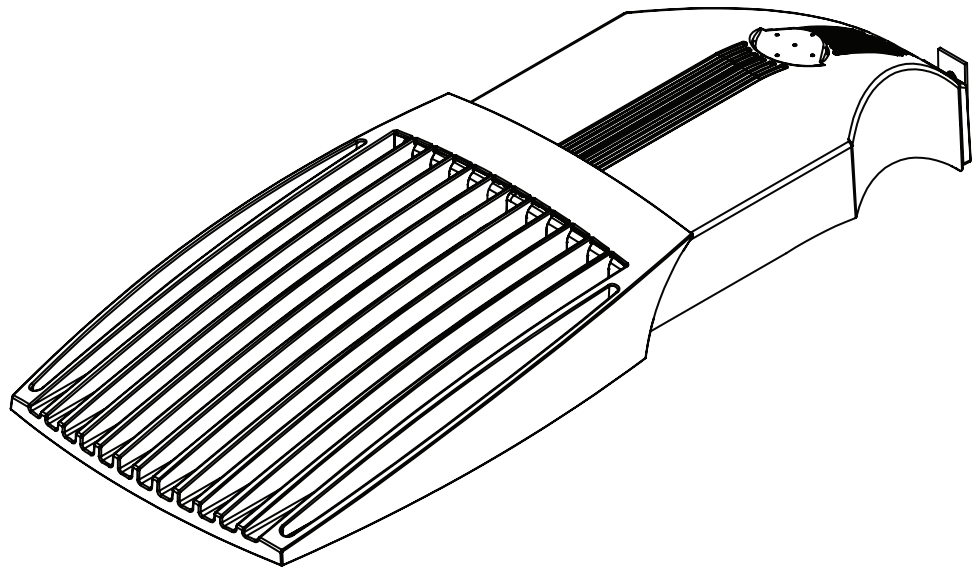
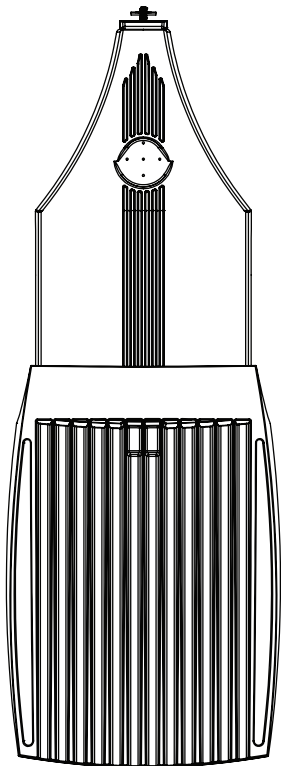
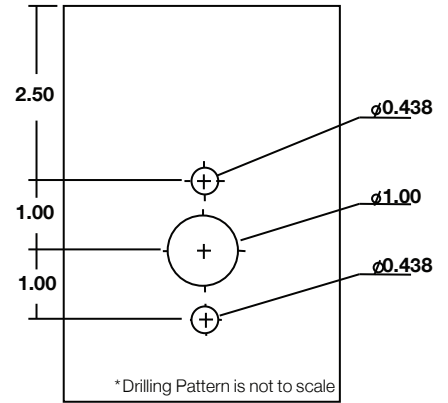
Photometric Optical Summary



EPA Data								
	0.75	1.47	1.5	2.22	2.1	2.22		

Dimensions

Width:	VLX-XL 16.5"
Depth:	VLX-XL 44.6"
Height:	VLX-XL 4.39"
Overall Height:	VLX-XL 10.25"
Weight:	64 LBS



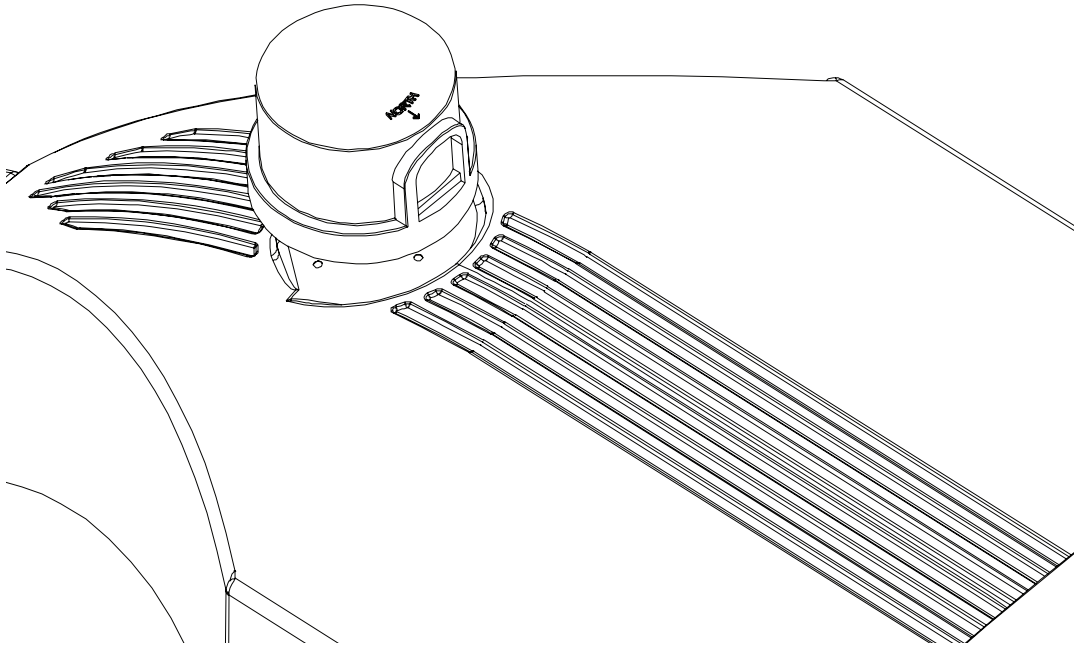
LED Specifications **VLX-XL Array**

VLX-XL - LUMEN CHART 3K													
Lumen	Current (mA)	#LED	T1	T2	T3	T3L	T4	T4A	T4L	T5LR	T5LS	T5SR	Wattage
55L	1040	128	53200	53070	52723	51423	51683	53894	51336	51726	53027	54371	410
60L	1120	128	58719	58575	58192	51423	57044	59484	56661	57092	58527	60011	460
70L	1040	160	68731	68563	68114	66434	66770	69627	66322	66826	68507	70243	540
80L	1040	192	77773	77582	77075	75174	75554	78787	75047	75617	77519	79484	610
90L	1200	192	84096	83891	83342	81286	81697	85193	81149	81766	83822	85947	680
VLX-XL - LUMEN CHART 4K													
Lumen	Current (mA)	#LED	T1	T2	T3	T3L	T4	T4A	T4L	T5LR	T5LS	T5SR	Wattage
55L	1040	128	57573	57432	57056	55649	55930	58323	55555	55977	57385	58839	410
60L	1120	128	63544	63389	62975	61421	61732	64373	61318	61784	63337	64943	460
70L	1040	160	74379	74197	73712	71894	72257	75349	71772	72318	74137	76016	540
80L	1040	192	84164	83958	83410	81352	81763	85262	81215	81832	83890	86016	610
90L	1200	192	91007	90785	90191	87966	88411	92194	87818	88486	90711	93010	680
VLX-X - L LUMEN CHART 5K													
Lumen	Current (mA)	#LED	T1	T2	T3	T3L	T4	T4A	T4L	T5LR	T5LS	T5SR	Wattage
55L	1040	128	58808	58665	58281	56843	57131	59575	56747	57179	58617	60102	410
60L	1120	128	64908	64750	64326	62739	63057	65755	62634	63110	64697	66337	460
70L	1040	160	75976	75790	75295	73437	73808	76966	73313	73870	75728	77647	540
80L	1040	192	85971	85760	85200	83098	83518	87092	82958	83588	85690	87862	610
90L	1200	192	92961	92734	92127	89855	90309	94173	89703	90385	92658	95006	680
VLX-X - L LUMEN PER WATT CHART 3K													
Lumen	Current (mA)	#LED	T1	T2	T3	T3L	T4	T4A	T4L	T5LR	T5LS	T5SR	Wattage
55L	1040	128	131	131	130	127	127	133	126	127	130	134	410
60L	1120	128	127	126	126	122	123	128	122	123	126	129	460
70L	1040	160	127	127	126	123	123	129	123	124	127	130	540
80L	1040	192	128	128	127	124	124	130	124	125	128	131	610
90L	1200	192	124	123	123	120	120	125	119	120	123	126	680
VLX-XL - LUMEN PER WATT CHART 4K													
Lumen	Current (mA)	#LED	T1	T2	T3	T3L	T4	T4A	T4L	T5LR	T5LS	T5SR	Wattage
55L	1040	128	140	140	139	136	136	142	136	137	140	144	410
60L	1120	128	136	136	135	131	132	138	131	132	135	139	460
70L	1040	160	136	136	135	132	132	138	132	133	136	139	540
80L	1040	192	137	137	136	133	134	139	133	134	137	140	610
90L	1200	192	133	132	132	128	129	134	128	129	132	136	680
VLX-XL - LUMEN PER WATT CHART 5K													
Lumen	Current (mA)	#LED	T1	T2	T3	T3L	T4	T4A	T4L	T5LR	T5LS	T5SR	Wattage
55L	1040	128	144	143	143	139	140	146	139	140	143	147	410
60L	1120	128	139	139	138	135	135	141	134	135	139	142	460
70L	1040	160	141	140	139	136	137	143	136	137	140	144	540
80L	1040	192	140	139	138	135	136	141	135	136	139	143	610
90L	1200	192	136	136	135	131	132	138	131	132	136	139	680

VLX-XL Array LED Array Specifications

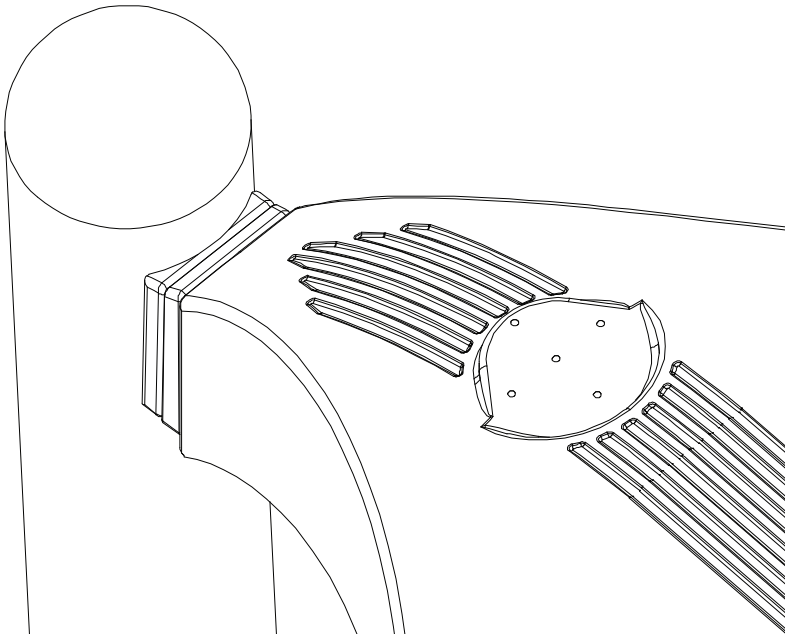
Twist lock Photocell & Receptacle

Dusk to dawn sensor.



Round Pole Plate Adaptor

Round Pole Plate Adaptor to be used with round pole.



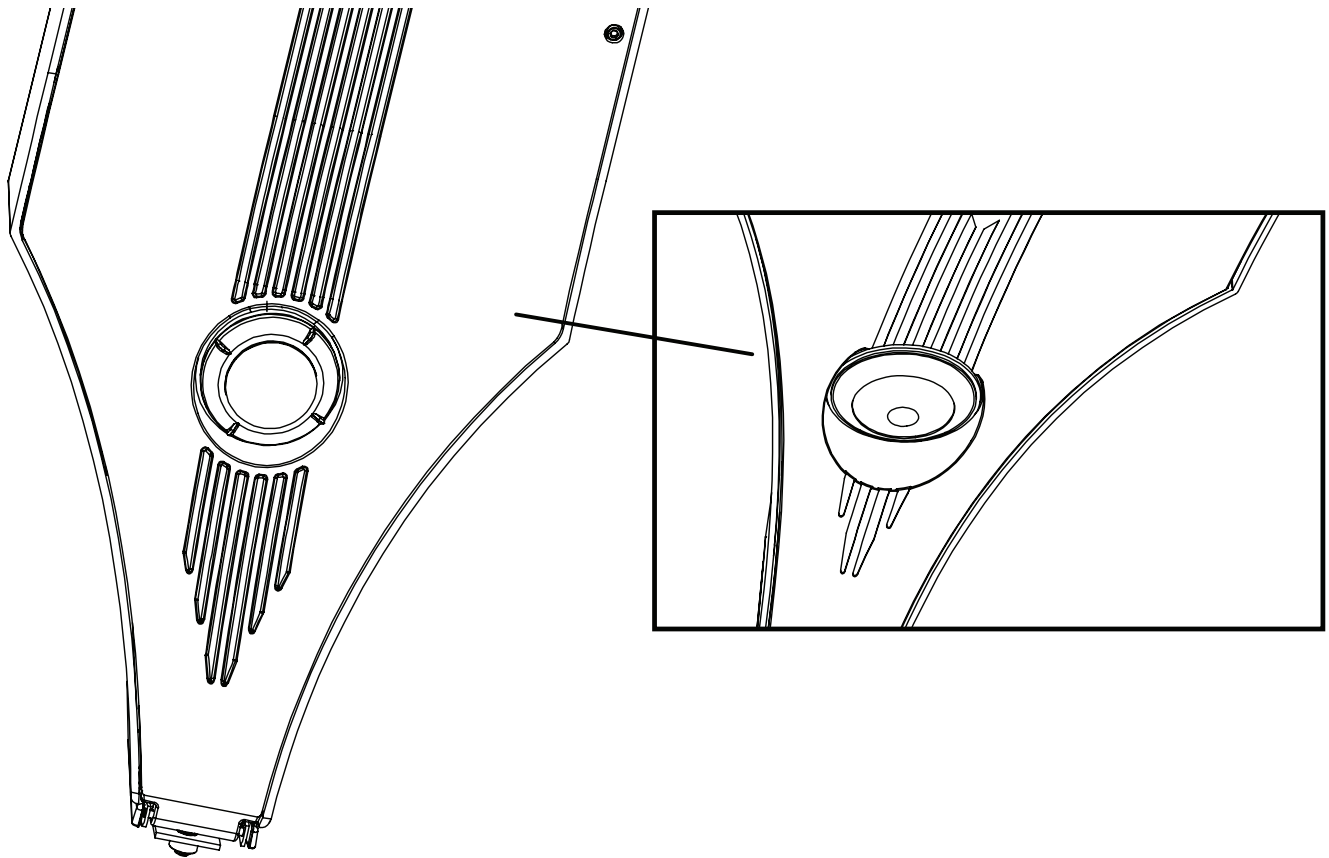
Motion Sensor

The FSP-211 by Legrand is integrated into the VLX housing and provides multi-level control based on motion and/or daylight contribution.

Lens Coverage Patterns:

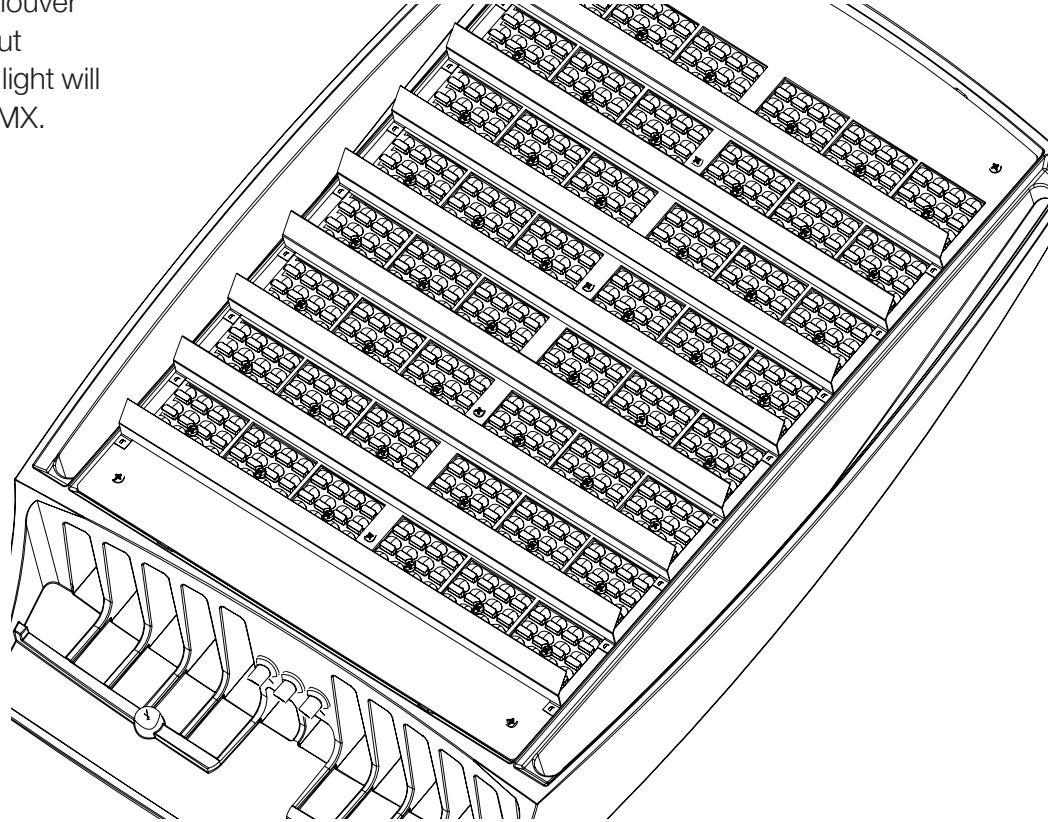
- WSC-8 - 360° lens, maximum coverage 48'; diameter from 8' height
- WSC-20 - 360° lens, maximum coverage 48'; diameter from 20' height
- WSC-40 - 360° lens, maximum coverage 100'; diameter from 40' height

FSP-211 Default Settings	
FACTORY DEFAULTS	
High Mode	0 Volts
Low Mode	1 Volts
Time Delay	5 Minutes
Cut Off	0 Volts
Sensitivity	1hr Maximum
Hold Off Set Point	4 Foot candles
Ramp Up	None
Fade Down	None
Force Off Set Point with Occupied	Disable

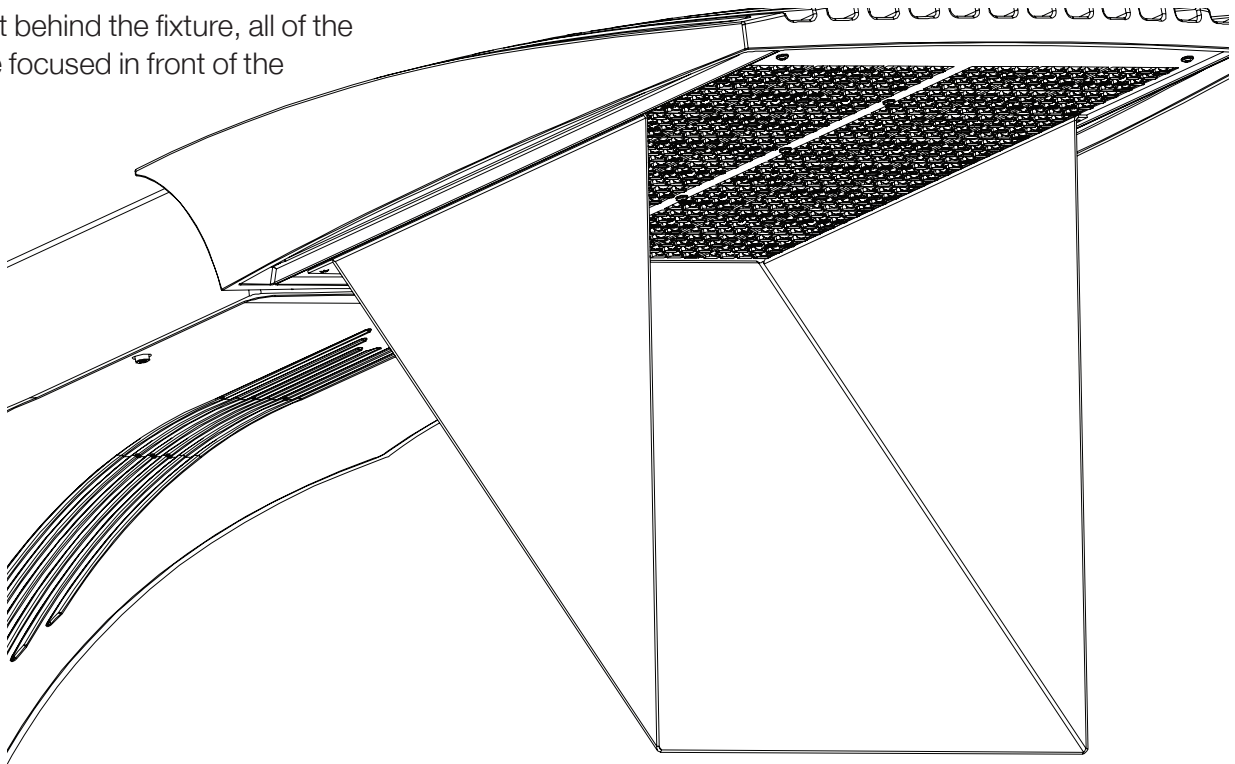


VLX-XL Array LED Array Specifications

CLS - The back side cutoff louver shield will reduce light output behind the fixture, all of the light will be focused in front of the VMX.

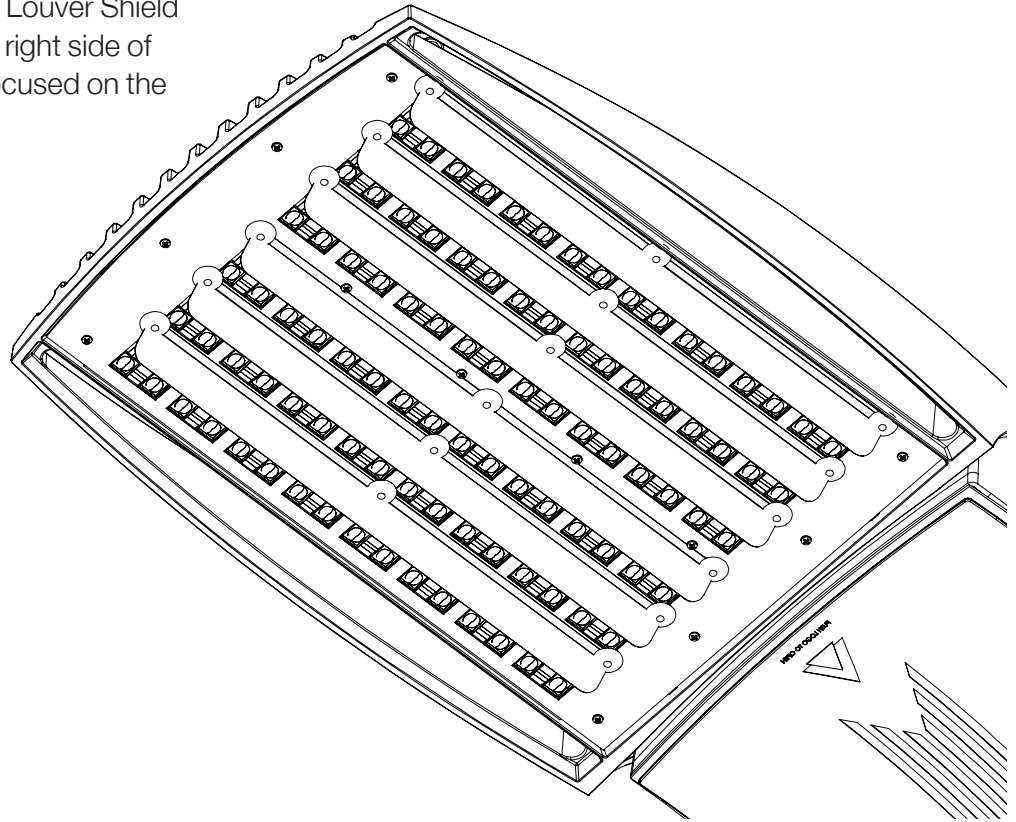


HSS - The House Side Shield will reduce light output behind the fixture, all of the light will be focused in front of the VLX-XL.



LED Specifications VLX-XL Array

RCLS - The Right Side Cutoff Louver Shield will reduce light output on the right side of the fixture, all of the light be focused on the left side of the VMX.



LCLS - The Left Side Cutoff Louver Shield will reduce light output on the left side of the fixture, all of the light be focused on the right side of the VMX.

