

V-Sconce-II LED Specifications



Project Name:

Catalog Number:

Type:

The **VSC-II LED** wall mount Series continues the unique contemporary design that is inspired by the V-Collection light series. It combines LED performance and advanced LED thermal management technology and provides lighting that is energy efficient and aesthetically pleasing.

The LED performance and the driver's life are maximized by enclosing them in two separate cast aluminum housings. Easy access for mounting and maintenance.

The LED light assemblies come with 16, 32, or 48 LEDs.

Choose between 3000, 4000 or 5000 Kelvin temperature for the LEDs.

A durable polyester powder coat finish is guaranteed for five years; and is available in standard or custom colors.

The **VSC-II LED** Series is an exceptional choice for office complexes, schools, commercial buildings, and many architectural projects.

Ordering Information

MODEL	OPTICS	SOURCE	CURRENT	KELVIN	VOLTAGE	MOUNTING	FINISH	OPTIONS	OPTIONS
VSC-II	T1 Type 1	16LC	3 350mA	3K 3000K	UNV 120-277V	WM Wall Mount	BZ Bronze	PC-120	UP Up-Light Orientation *Not available with motion sensor or EBPL
	T2 Type 2	32LC	5 530mA	4K 4000K	8 347V	VCB Conduit Box Mounting Plate with (2) 1/2" Threaded Conduit Holes	BK Black	PC-208 PC-240	
	T3 Type 3	48LC	7 700mA	5K 5000K	5 480V		SBK Smooth Black	PC-277 Button Type Photocell	DIM 0-10v Dimming Driver
	T4 Type 4		10 1050mA *Not Available in 48LC				WH White	WSC-8 Motion Sensor 8' Mounting Height	EBPL Emergency Battery Pack *Universal Voltage only Rated for 10° C to 50° C *Not available in Up Light Orientation
	FM Flood Medium						SWH Smooth White	WSC-20 Motion Sensor 9-20' Mounting Height *The WSC option will require (1) FSIR 100 remote for programming	EBPL-CLD Cold Weather Emergency Battery Pack *Universal Voltage only Rated for -20° C to 50° C *Not available in Up Light Orientation
	FN Flood Narrow						GP Graphite		
							GY Grey		
							SL Silver Metallic		
							CC Custom Color		
									BP Back Plate
									CLS Back Side Cutoff Louver Shield

Features & Specifications

V-Sconce-II

Heatsink

Cast aluminum heatsink with integral cooling fins for thermal management.

Mounting/Driver Compartment

- Durable two-piece cast aluminum driver compartment utilizes a quick mount/set screw mounting for ease of maintenance and sealed with a one-piece gasket.
- Up-Light Orientation

Thermal Management

- The VSC-II series provides excellent thermal management by mounting the LEDs to the substantial heat sink of the housing. This enables the Luminaire to withstand higher ambient temperatures and driver currents without degrading LED life.
- The L70 test determines the point in an LEDs life when it reaches 70 percent of its initial output. The VSC-II series LEDs have been determined to last 100,000+ hours in 25° C environments when driven at 700 mA.

Optical System

- The highest lumen output LEDs are utilized in the VSC-II series. Six IES distribution Types are available. The optical system qualifies as IES full cutoff to restrict light trespass, glare and light pollution.
- CRI values are 70.

Quali-Guard® Finish

- The finish is a Quali-Guard® textured, chemically pretreated through a multiple-stage washer, electrostatically applied, thermoset polyester powder coat finish, with a minimum of 3-5 millimeter thickness. Finish is oven-baked at 400° F to promote maximum adherence and finish hardness. All finishes are available in standard and custom colors.
- Finish is guaranteed for five (5) years.

Electrical Assembly

- The VSC-II LED series is supplied with a choice of 350, 530, 700, 1050 mA high-performance LED drivers that accept 120v thru 480v, 50 Hz to 60 Hz, input.
- Rated for -50°C operations.
- Power factor of 90%.
- THD less than or equal to 20%
- 10 kV surge protector supplied as standard.

Warranty

Five (5) year Limited Warranty on electrical components, Five (5) year on finish. For full warranty information, please visit visionairelighting.com

Options

- Button Type Photocell
- Motion Sensor
- 0-10 Volt Dimming Driver
- Back Plate
- Cut-Off Louver Shield
- Up-Light Orientation
- Emergency Battery Pack
- Cold Weather Emergency Battery Pack (Rated for -20°C)
- Visionaire Wireless Control
 - Enables high end trim
 - Based on Zigbee wireless communication protocol

Listings

- The VSC-II is cUL listed, suitable for wet locations.
- IP65 Rated
- Powder Coated Tough
- IDA Certification



3000K must be selected for IDA certification.
Fixed mount must be selected for IDA dark sky certification.

VSC-II - Electrical Load (A)

Ordering Nomenclature	System Watts	120V	208V	240V	277V	347V	480V
VSC-II-T3-16LC-3-4K	18	0.15	0.09	0.08	0.06	0.05	0.04
VSC-II-T3-16LC-5-4K	26	0.22	0.13	0.11	0.09	0.07	0.05
VSC-II-T3-16LC-7-4K	37	0.31	0.18	0.15	0.13	0.11	0.08
VSC-II-T3-16LC-10-4K	56	0.47	0.27	0.23	0.20	0.16	0.12
VSC-II-T3-32LC-3-4K	37	0.31	0.18	0.15	0.13	0.11	0.08
VSC-II-T3-32LC-5-4K	52	0.43	0.25	0.22	0.19	0.15	0.11
VSC-II-T3-32LC-7-4K	74	0.62	0.36	0.31	0.27	0.21	0.15
VSC-II-T3-32LC-10-4K	112	0.93	0.54	0.47	0.40	0.32	0.23
VSC-II-T3-48LC-3-4K	55	0.46	0.26	0.23	0.20	0.16	0.11
VSC-II-T3-48LC-5-4K	78	0.65	0.38	0.33	0.28	0.22	0.16
VSC-II-T3-48LC-7-4K	105	0.88	0.50	0.44	0.38	0.30	0.22

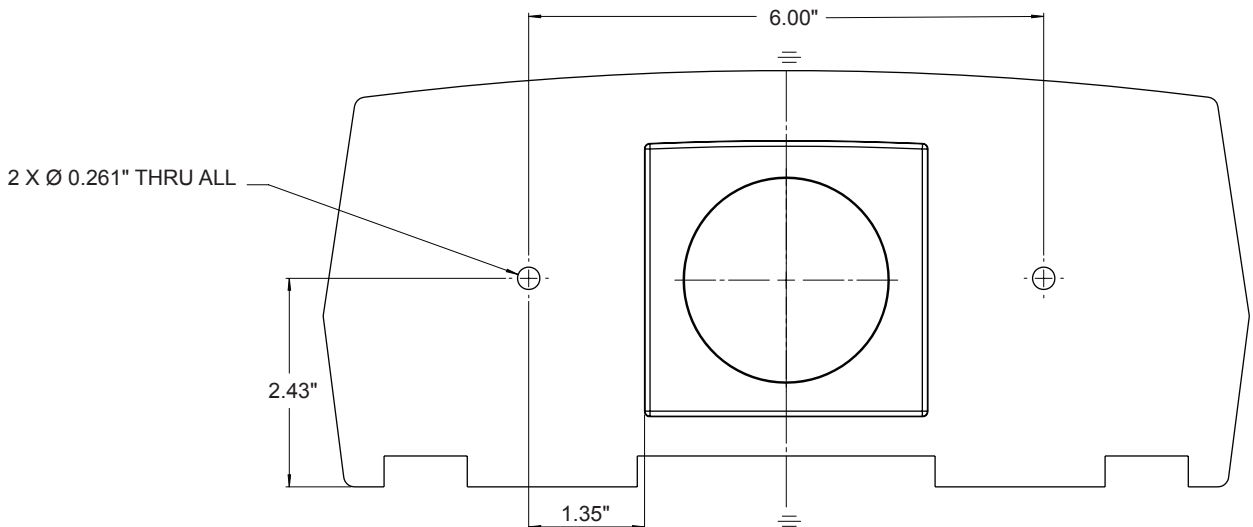
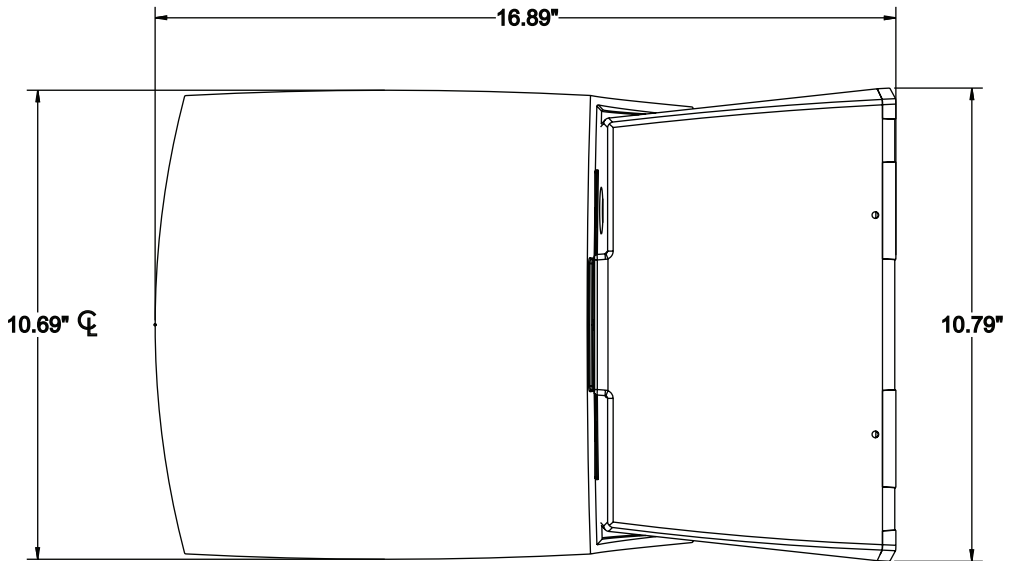
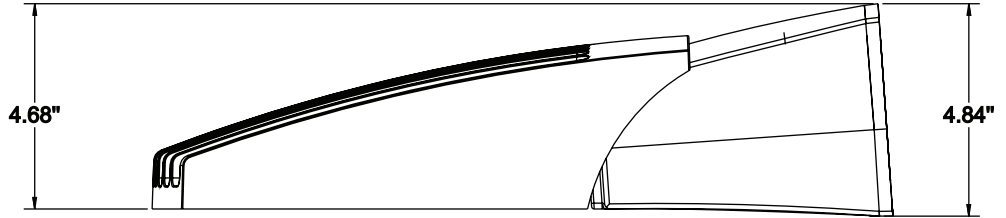
V-Sconce-II LED Specifications

Photometric Optical Summary



Dimensions

Width:	VSC-II 10.8"
Depth:	VSC-II 17"
Height:	VSC-II 5"
Weight:	20 LBS



LED Specifications **V-Sconce-II**

3K Lumen Data <small>Lumen data updated 11.21.17</small>																										
#LED	mA	Type 1	B	U	G	Type 2	B	U	G	Type 3	B	U	G	Type 4	B	U	G	FN	B	U	G	FM	B	U	G	Watts
16	350	2413	1	0	1	2220	1	0	1	2238	0	0	1	2190	1	0	1	2443	2	0	0	2481	2	0	1	18
	530	3237	2	0	2	2978	1	0	1	3002	1	0	1	2938	1	0	1	3278	3	0	0	3329	3	0	1	26
	700	4273	2	0	2	3931	1	0	2	3963	1	0	1	3878	1	0	1	4326	3	0	0	4395	3	0	1	37
	1000	6049	3	0	3	5565	1	0	2	5610	1	0	1	5490	1	0	2	6124	3	0	1	6221	3	0	1	56
32	350	4859	2	0	2	4470	1	0	2	4506	1	0	1	4410	1	0	1	4919	3	0	0	4997	3	0	1	37
	530	6519	3	0	3	5997	1	0	2	6046	1	0	2	5916	1	0	2	6600	4	0	0	6704	4	0	1	52
	700	8604	3	0	3	7916	2	0	2	7980	1	0	2	7809	2	0	2	8711	4	0	0	8849	4	0	1	74
	1000	12097	3	0	3	11130	2	0	3	11219	2	0	2	10980	2	0	3	12248	4	0	1	12441	4	0	1	112
48	350	7288	3	0	3	6705	1	0	2	6759	1	0	2	6615	1	0	2	7379	4	0	0	7495	4	0	1	55
	530	9778	3	0	3	8996	2	0	3	9069	1	0	2	8875	2	0	2	9900	4	0	0	10057	4	0	1	78
	700	12906	3	0	3	11874	2	0	3	11970	2	0	2	11714	2	0	3	13067	5	0	0	13274	5	0	1	105
4K Lumen Data																										
16	350	2540	1	0	1	2337	1	0	1	2355	1	0	1	2305	1	0	1	2571	3	0	0	2612	3	0	0	18
	530	3408	2	0	2	3135	1	0	1	3160	1	0	1	3093	1	0	1	3450	3	0	1	3505	3	0	1	26
	700	4498	2	0	2	4138	1	0	2	4171	1	0	1	4082	1	0	1	4554	3	0	1	4626	3	0	1	37
	1000	6367	3	0	3	5858	1	0	2	5905	1	0	2	5779	1	0	2	6446	4	0	1	6548	4	0	1	56
32	350	5114	2	0	2	4705	1	0	2	4743	1	0	1	4642	1	0	1	5178	3	0	1	5260	3	0	1	37
	530	6862	3	0	3	6313	2	0	2	6364	1	0	2	6228	1	0	2	6947	4	0	1	7057	4	0	1	52
	700	9057	3	0	3	8333	2	0	3	8400	1	0	2	8221	2	0	2	9170	4	0	1	9315	4	0	1	74
	1000	12734	3	0	3	11715	2	0	3	11810	2	0	2	11558	2	0	3	12892	5	0	1	13096	5	0	1	112
48	350	7671	3	0	3	7058	2	0	2	7115	1	0	2	6963	1	0	2	7767	4	0	1	7890	4	0	1	55
	530	10293	3	0	3	9470	2	0	3	9546	1	0	2	9342	2	0	2	10421	4	0	1	10586	4	0	1	78
	700	13586	3	0	3	12499	3	0	3	12600	2	0	2	12331	2	0	3	13755	5	0	1	13972	5	0	1	105
5K Lumen Data																										
16	350	2437	1	0	1	2242	1	0	1	2260	1	0	1	2212	1	0	1	2468	2	0	0	2507	2	0	1	18
	530	3270	2	0	2	3008	1	0	1	3033	1	0	1	2968	1	0	1	3311	3	0	1	3363	3	0	1	26
	700	4316	2	0	2	3971	1	0	2	4003	1	0	1	3918	1	0	1	4370	3	0	1	4439	3	0	1	37
	1000	6110	3	0	3	5621	1	0	2	5666	1	0	2	5545	1	0	2	6186	3	0	1	6284	3	0	1	56
32	350	4908	2	0	2	4515	1	0	2	4552	1	0	1	4454	1	0	1	4969	3	0	1	5047	3	0	1	37
	530	6585	3	0	3	6058	2	0	2	6107	1	0	2	5977	1	0	2	6667	4	0	1	6772	4	0	1	52
	700	8691	3	0	3	7996	2	0	3	8061	1	0	2	7889	2	0	2	8799	4	0	1	8939	4	0	1	74
	1000	12219	3	0	3	11242	2	0	3	11333	2	0	2	11091	2	0	3	12371	4	0	1	12567	4	0	1	112
48	350	7362	3	0	3	6773	2	0	2	6827	1	0	2	6682	1	0	2	7453	4	0	1	7571	4	0	1	55
	530	9877	3	0	3	9087	2	0	3	9160	1	0	2	8965	2	0	2	10000	4	0	1	10158	4	0	1	78
	700	13037	4	0	4	11994	3	0	3	12091	2	0	2	11833	2	0	3	13199	5	0	1	13408	5	0	1	105
Visit www.VisionaireLighting.com for up-to-the-minute chart information, including types not listed here.																										
Motion Sensor Default Setting																										
Type	High Mode	Low Mode	Time Delay	Cut off Delay	Sensitivity	Hold Off Set Point	Photocell On/Off	Ramp up Time	Fade Down Time																	
WSC- Default	10V	1V	5 Min	1 Hour	Max	Disabled	Disabled	Disabled	Disabled																	
WSC Range	0-10V	0-9.8V	5-30 Min	1-5 Hours	Low, Med, Max	1-250FC	1-250FC	1-60 Dec	1-60 Dec																	