

Fig. 1

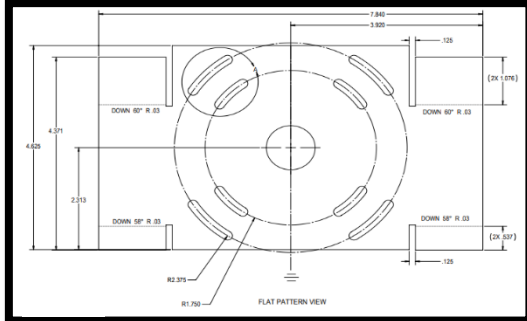


Fig. 2

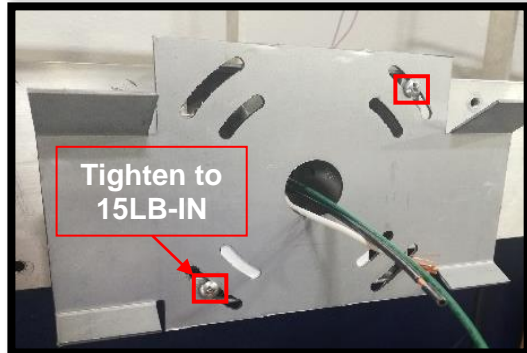


Fig. 3



Fig. 4

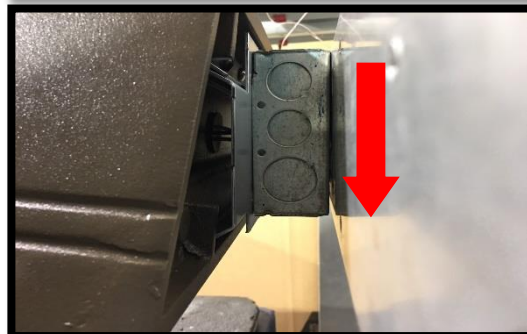


Fig. 5



Fig. 6



BEFORE YOU BEGIN

- Read these instructions completely and carefully.
- Save these instructions for future use.



WARNING

- To avoid possible risk of fire or shock turn off power prior to installation or maintenance preferably at circuit breaker. Product must be installed following all NEC and local Electrical Codes.

UNPACKING

- This luminaire has been properly packaged so that no damage shall occur during transportation

- Inspect and confirm

INSTALLATION

- Loosen the (2X) set screws and remove the Mount bracket from the luminaire. (Fig. 1).
- Use drill pattern to mount in the wall. Be sure wire-way hole is free of rough edges and adverse burr (Fig. 2).
- Place and fasten (2X) set screws to secure the mount bracket above the wall, tighten to 15 lb-in (Fig. 3).
- Slide the power leads cable between the wire way hole and make electrical connections per NEC (the National Electrical Code) (Fig 4).
- Place luminaire into the mount bracket (Fig. 5).
- Fasten (2X) set screws to secure the luminaire (Fig. 6).

