

PGRS-2 LED Specifications



Project Name:

Catalog Number:

Type:

The **PGRS-2 LED** luminaire from Visionaire combines contemporary design with new LED technology; while maintaining a traditional fixture image. The LED performance and Life are maximized by the unique integral aluminum heat sink. It is an ideal replacement for the high-maintenance fluorescent or HID fixtures of yesterday.

The LED housing is cast aluminum with internal heat sink for maximum heat dissipation; with 16 or 32 LEDs. The cast aluminum driver compartment allows the driver to operate cooler for long life.

Three optical distribution patterns are available. Choose between 3000, 4000 or 5000 Kelvin temperature of the LED's.

A durable polyester powder coat finish is guaranteed for five years; and is available in standard or custom colors.

The **PGRS-2 LED** series is an exceptional choice for parking garage lighting and other wall mount applications.

Ordering Information

MODEL	OPTICS	SOURCE	CURRENT	KELVIN	VOLTAGE	MOUNTING	FINISH	OPTIONS	OPTIONS
PGRS-2	T2 Type 2	16LC	3 350mA	3K 3000K	UNV 120-277V	WM Wall Mount	BZ Bronze	PC-120 Button Type Photocell	EBPL Emergency Battery Pack 120V-277V Only
	T3 Type 3	32LC	5 530mA	4K 4000K	8 347V		BK Black	PC-208 Button Type Photocell	VWC Visionaire Wireless Controls Consult Factory
	T4 Type 4		7 700mA	5K 5000K	5 480V		SBK Smooth Black	PC-240 Button Type Photocell	BP Back Plate
							WH White	PC-277 Button Type Photocell	EBPL-CLD Cold Weather Emergency Battery Pack *Universal Voltage only Rated for -20° C to 50° C *Not available in Up Light Orientation
							SWH Smooth White	WSC-8 Motion Sensor 8' Mounting Height	
							GP Graphite	WSC-20 Motion Sensor 9-20' Mounting Height	
							GY Grey	WSC-40 Motion Sensor 21-40' Mounting Height	
							SL Silver Metallic		
							CC Custom Color		

WSC options will require (1) FSIR 100 remote for programming

Features & Specifications

PGRS-2

Housing

Heavy duty cast aluminum housing with internal heat sink for maximum heat dissipation. Silicone gasket is used for weather tight operation.

Mounting

A Wall Mount bracket can be secured directly to a 4"-5" recessed junction box.

Thermal Management

The PGRS-2 series provides excellent thermal management by mounting the LEDs to the substantial heat sink within the housing. This enables the Luminaire to withstand higher ambient temperatures and driver currents without degrading LED life.

Optical System

- The highest lumen output LEDs are utilized. High-performance acrylic optics feature industry leading Type II, III and IV optical distributions. Acrylic optics are impact-resistant and rated to 94 percent translucence.
- L70 life of our LEDs is rated over 100,000 hours (for 700 mA), The optical system qualifies as IES full cutoff to restrict light trespass, glare and light pollution for neighborhood-friendly lighting.
- CRI values are 70.

Quali-Guard® Finish

The finish is a Quali-Guard® textured, chemically pretreated through a multiple-stage washer, electrostatically applied, thermoset polyester powder coat finish, with a minimum of 3-5 millimeter thickness. Finish is oven-baked at 400° F to promote maximum adherence and finish hardness.

- All finishes are available in standard and custom colors.
- Finish is guaranteed for five (5) years.

Electrical Assembly

The PGRS-2 LED series is supplied with a choice of 350, 530 or 700 high-performance LED drivers that accept 120v thru 480v, 50 Hz to 60 Hz, input.

- Power factor of 90%.
- Rated for -40°C operations.
- 10 kV surge protector supplied as standard.

Warranty

Five (5) year Limited Warranty on electrical components, Five (5) year on finish. For full warranty information, please visit visionairelighting.com.

Options

- Button Style Photocell
- Watt Stopper FSP-211
- Motion Sensor
- Emergency Battery Pack
- Cold Weather Emergency Battery Pack (Rated for -20°C)
- Visionaire Wireless Controls
 - Enables high end trim
 - Based on Zigbee wireless communication protocol

Listings

- PGRS-2 is cUL listed, suitable for wet locations.
- IP66 Rated
- Powder Coated Tough™
- DLC Listed
- IDA listed



DesignLights Consortium (DLC) qualified Product. Some configurations of this product family may not be DesignLights Consortium (DLC) listed, please refer to the DLC qualified products list to confirm listed configurations. <http://www.designlights.org/>
3000K must be selected for IDA certification.
Fixed mount must be selected for IDA dark sky certification.

PGRS-2 - Electrical Load (A)

Ordering Nomenclature	System Watts	120V	208V	240V	277V	347V	480V
PGRS-2-T3-16LC-350MA	18	0.14	0.08	0.07	0.06	0.05	0.04
PGRS-2-T3-16LC-530MA	26	0.22	0.12	0.11	0.09	0.07	0.05
PGRS-2-T3-16LC-700MA	37	0.28	0.16	0.14	0.12	0.10	0.07
PGRS-2-T3-32LC-350MA	34	0.28	0.16	0.14	0.12	0.10	0.07
PGRS-2-T3-32LC-530MA	53	0.43	0.25	0.22	0.19	0.15	0.11
PGRS-2-T3-32LC-700MA	70	0.58	0.33	0.29	0.25	0.20	0.14

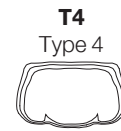
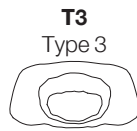
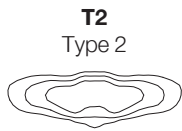
Motion Sensor Default Setting

FSP - 211	High Mode	Low Mode	Time Delay	Cut Off Delay	Sensitivity	Hold Off Setpoint	Photocell On/Off	Ramp Up Time	Fade Down Time
WSC - Default	10V	1V	5 Minutes	1 Hour	Max	Disabled	Disabled	Disabled	Disabled
WSC Range	0-10V	0-9.8V	5-30 Minutes	1-5 Hours	Low, Med, Max	1-250FC	1-250FC	1-60 Dec	1-60 Dec

*Settings can be field modified with the FSIR-100 Programming remote

PGRS-2 LED Specifications

Photometric Optical Summary



Dimensions

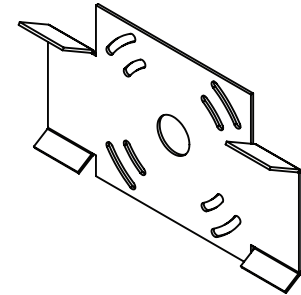
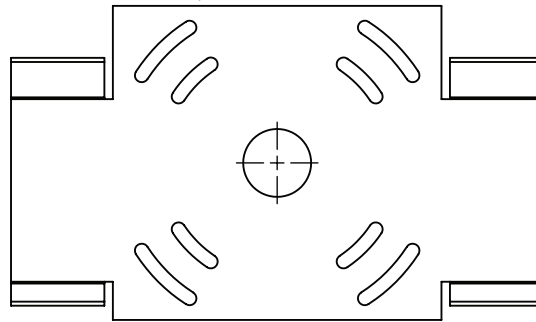
Width: PGRS-2 17.70"

Height: PGRS-2 5.53"

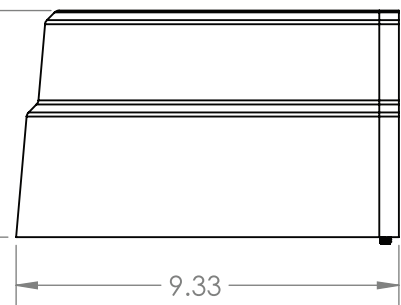
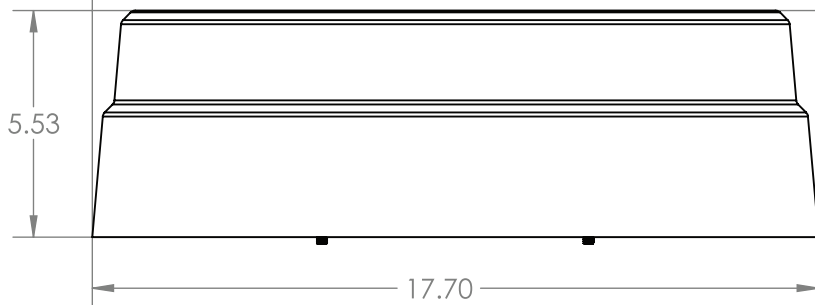
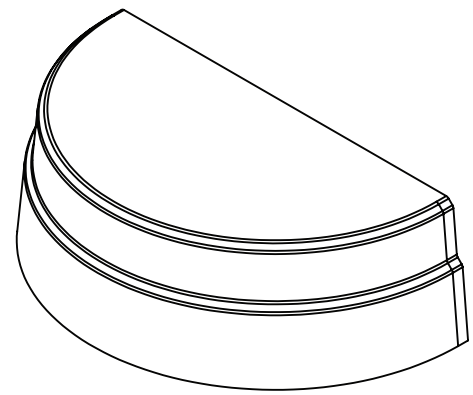
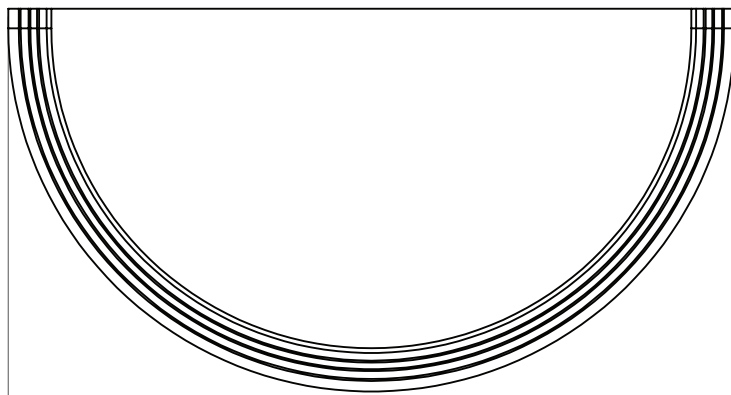
Depth: PGRS-2 9.33"

Weight: 20 LBS

Bracket Wall Mount Support
Compatible with 4" and 5" J-Box



ISOMETRIC VIEW



LED Specifications **PGRS-2**

PGRS-2 3K LUMEN DATA						PGRS-2 3K LUMEN DATA																	
# LEDs	mA	T2	T3	T4	Power (W)	# LEDs	mA	T2	T3	T4	Power (W)												
16	350	2332	2334	2322	17	32	350	4532	4506	4308	34												
	530	3253	3256	3239	26		530	6387	6351	6072	52												
	700	4068	4071	4050	34		700	7800	7756	7415	69												
PGRS-2 4K LUMEN DATA						PGRS-2 4K LUMEN DATA																	
# LEDs	mA	T2	T3	T4	Power (W)	# LEDs	mA	T2	T3	T4	Power (W)												
16	350	2172	2173	2162	17	32	350	4510	4485	4288	34												
	530	3029	3032	3016	26		530	6357	6321	6043	52												
	700	3788	3791	3771	34		700	7763	7719	7380	69												
PGRS-2 5K LUMEN DATA						PGRS-2 5K LUMEN DATA																	
# LEDs	mA	T2	T3	T4	Power (W)	# LEDs	mA	T2	T3	T4	Power (W)												
16	350	2226	2227	2216	17	32	350	4481	4456	4260	34												
	530	3105	3107	3091	26		530	6316	6280	6004	52												
	700	3882	3885	3865	34		700	7713	7669	7332	69												
PGRS-2 3K LPW DATA						PGRS-2 3K LPW DATA																	
# LEDs	mA	T2	T3	T4	Power (W)	# LEDs	mA	T2	T3	T4	Power (W)												
16	350	137	137	137	17	32	350	133	133	127	34												
	530	125	125	125	26		530	123	122	117	52												
	700	120	120	119	34		700	113	112	107	69												
PGRS-2 4K LPW DATA						PGRS-2 4K LPW DATA																	
# LEDs	mA	T2	T3	T4	Power (W)	# LEDs	mA	T2	T3	T4	Power (W)												
16	350	128	128	127	17	32	350	133	132	126	34												
	530	116	117	116	26		530	122	122	116	52												
	700	111	112	111	34		700	113	112	107	69												
PGRS-2 5K LPW DATA						PGRS-2 5K LPW DATA																	
# LEDs	mA	T2	T3	T4	Power (W)	# LEDs	mA	T2	T3	T4	Power (W)												
16	350	131	131	130	17	32	350	132	131	125	34												
	530	119	120	119	26		530	121	121	115	52												
	700	114	114	114	34		700	112	111	106	69												
PGRS-2 3K BUG DATA						PGRS-2 3K BUG DATA																	
# LEDs	mA	T2			T3			T4			Power (W)	# LEDs	mA	T2			T3			T4			Power (W)
		B	U	G	B	U	G	B	U	G			B	U	G	B	U	G	B	U	G		
16	350	1	0	1	1	0	1	1	0	1	17	32	350	1	0	2	1	0	1	1	0	1	34
	530	1	0	1	1	0	1	1	0	1	26		530	1	0	2	2	0	2	1	0	2	52
	700	1	0	1	1	0	1	1	0	2	34		700	2	0	2	2	0	2	2	0	2	69
PGRS-2 4K BUG DATA						PGRS-2 4K BUG DATA																	
# LEDs	mA	T2			T3			T4			Power (W)	# LEDs	mA	T2			T3			T4			Power (W)
		B	U	G	B	U	G	B	U	G			B	U	G	B	U	G	B	U	G		
16	350	1	0	1	1	0	1	1	0	1	17	32	350	1	0	2	1	0	1	1	0	1	34
	530	1	0	1	1	0	1	1	0	1	26		530	1	0	2	2	0	2	1	0	2	52
	700	1	0	1	1	0	1	1	0	2	34		700	2	0	2	2	0	2	2	0	2	69
PGRS-2 5K BUG DATA						PGRS-2 5K BUG DATA																	
# LEDs	mA	T2			T3			T4			Power (W)	# LEDs	mA	T2			T3			T4			Power (W)
		B	U	G	B	U	G	B	U	G			B	U	G	B	U	G	B	U	G		
16	350	1	0	1	1	0	1	1	0	1	17	32	350	1	0	2	1	0	1	1	0	1	34
	530	1	0	1	1	0	1	1	0	1	26		530	1	0	2	2	0	2	1	0	2	52
	700	1	0	1	1	0	1	1	0	2	34		700	2	0	2	2	0	2	2	0	2	69