



 **LUSO**

Meet the Lusso Family

COMPLETE FAMILY

The Lusso family is offered in multiple sizes:

- Large and Medium Yoke Mount and Cantilever Style Post Top
- Bollard
- Sconce

SERENITY LENS

Offered on the Medium Site, Bollard and Sconce in two offerings:

- Lightly Diffused Lens
- High Diffused Lens

FLEXIBLE LUMEN PACKAGES

Equipped to handle all your lighting needs:

- Medium site lighting lumen packages ranging from 5,000 - 25,000 lumens.
- Large site lighting lumen packages ranging from 25,000 - 55,000 lumens.
- Bollard and Sconce is available in lumen packages ranging from 1,000 - 5000 lumens.



 **VISIONAIRE**
L I G H T I N G

A Look Inside

Motion Sensor
 - High and low modes fully adjustable
 - Daylight harvesting
 - Saves on power consumption
 - Extends Lifetime

Housing
 Cast Aluminum housing with one piece gasket

Quali-guard Finish
 3-5 Mills thick and available in custom colors.

Photocell Twist Lock Receptacle
 3, 5, 7 Pin Receptacle

Heat Sink
 Cast aluminum heat sink

Array Light Bar
 - IP65 Rated
 - L70 rated for over 100,000 at 25C
 - CRI 70
 - Full Cutoff Optics
 - Available in 10 Different distribution patterns

Terminal Block
 For easy power connection, maximum 8 gauge wire

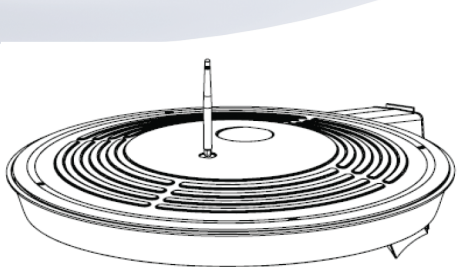
Mounting Cleat
 Quick mount cleat for ease of mounting. Available for a round or square pole

Mounting Door
 Tool-less entry for ease of service

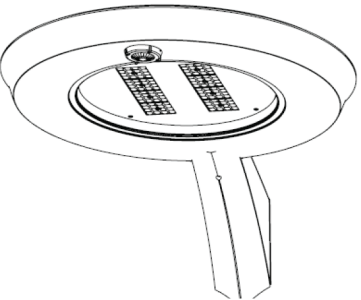
LED Driver(s)
 High performance with a power factor greater than 90%, and rated for -40C to 50C operation. Supplied with quick disconnects for ease of service

Surge Protector
 10kV surge protection

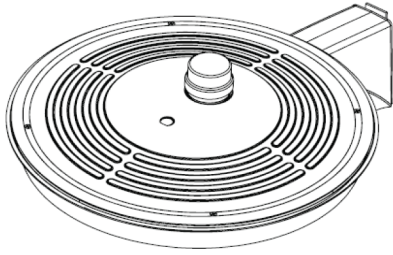
Safety Cable
 Prevents driver door from free falling



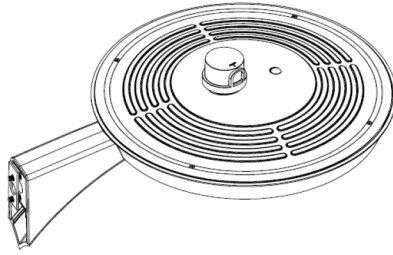
Visionaire Wireless Controls



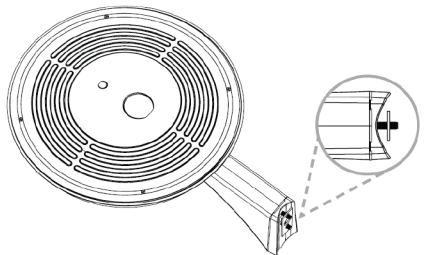
Motion Sensor



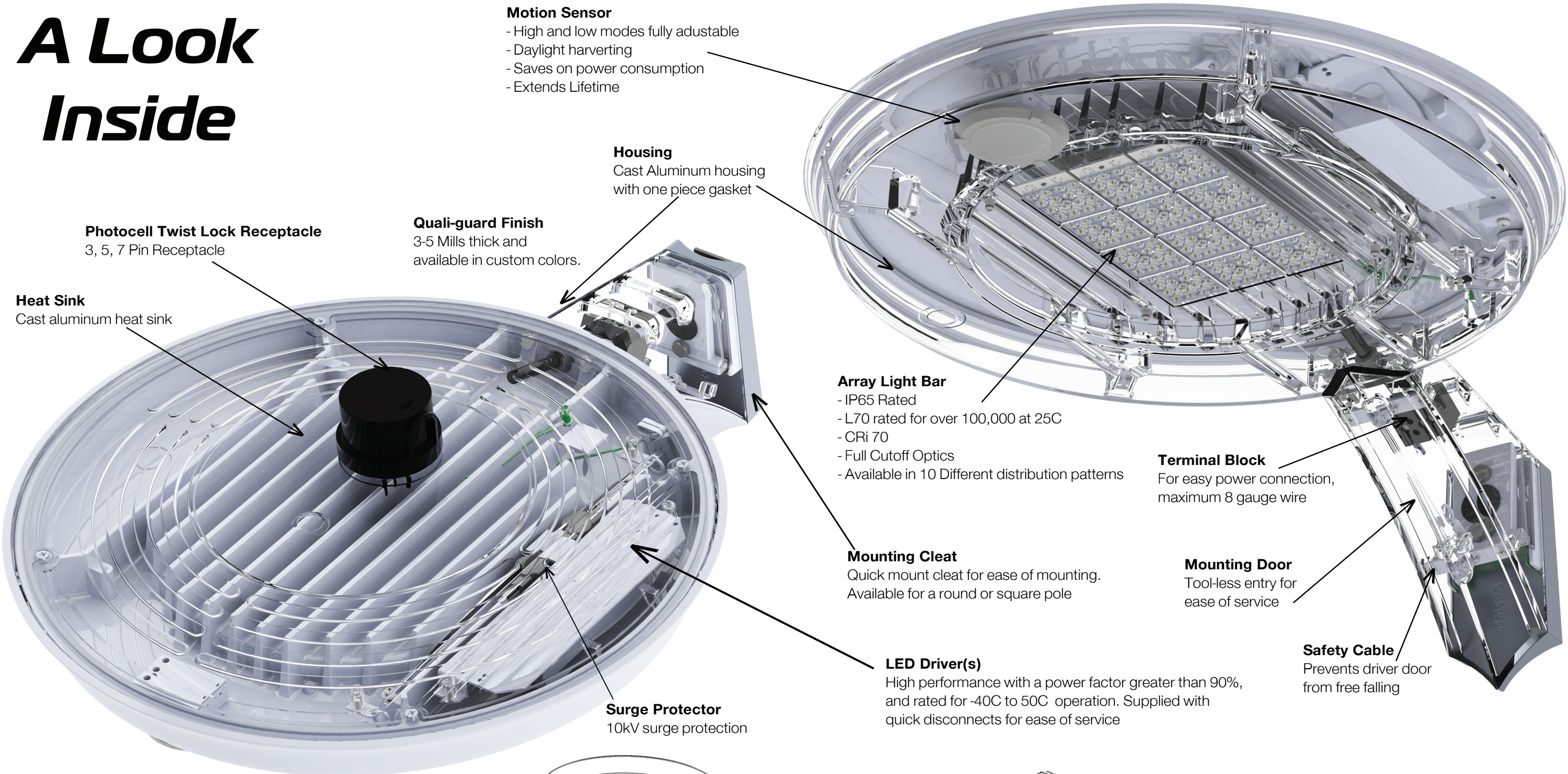
3, 5, OR 7 Pin Photo Receptacle w/Shorting Cap



Photocell & Receptacle



Round Pole Plate Adaptor



Color & Finish

ENDLESS POSSIBILITIES

All finishes are available in standard and custom colors and are guaranteed for five (5) years.

7 STEP POWDER COAT

1. **Shot Blasted** – using abrasive, turbine ejected at 3600 rpm to clean the surface
2. **Sanding and Cleaning** – to eliminate any Shot Blast residue
3. **Chemical Pretreatment** – sealant applied which enables the adhesion of paint
4. **Drying** – to eliminate any water
5. **Paint Application** – Quali-Guard® textured, electrostatically applied
6. **Cured** – finish is oven-baked at 400° F to promote maximum adherence and finish hardness
7. **Inspected and Packaged** – for a minimum thickness of 3-5 millimeters and wrapped adequately so they are protected while in transit to the job site



BK
Black

SBK
Smooth Black

BZ
Bronze

GP
Graphite

GY
Grey

SL
Silver Metallic

WH
White


SWH
Smooth White

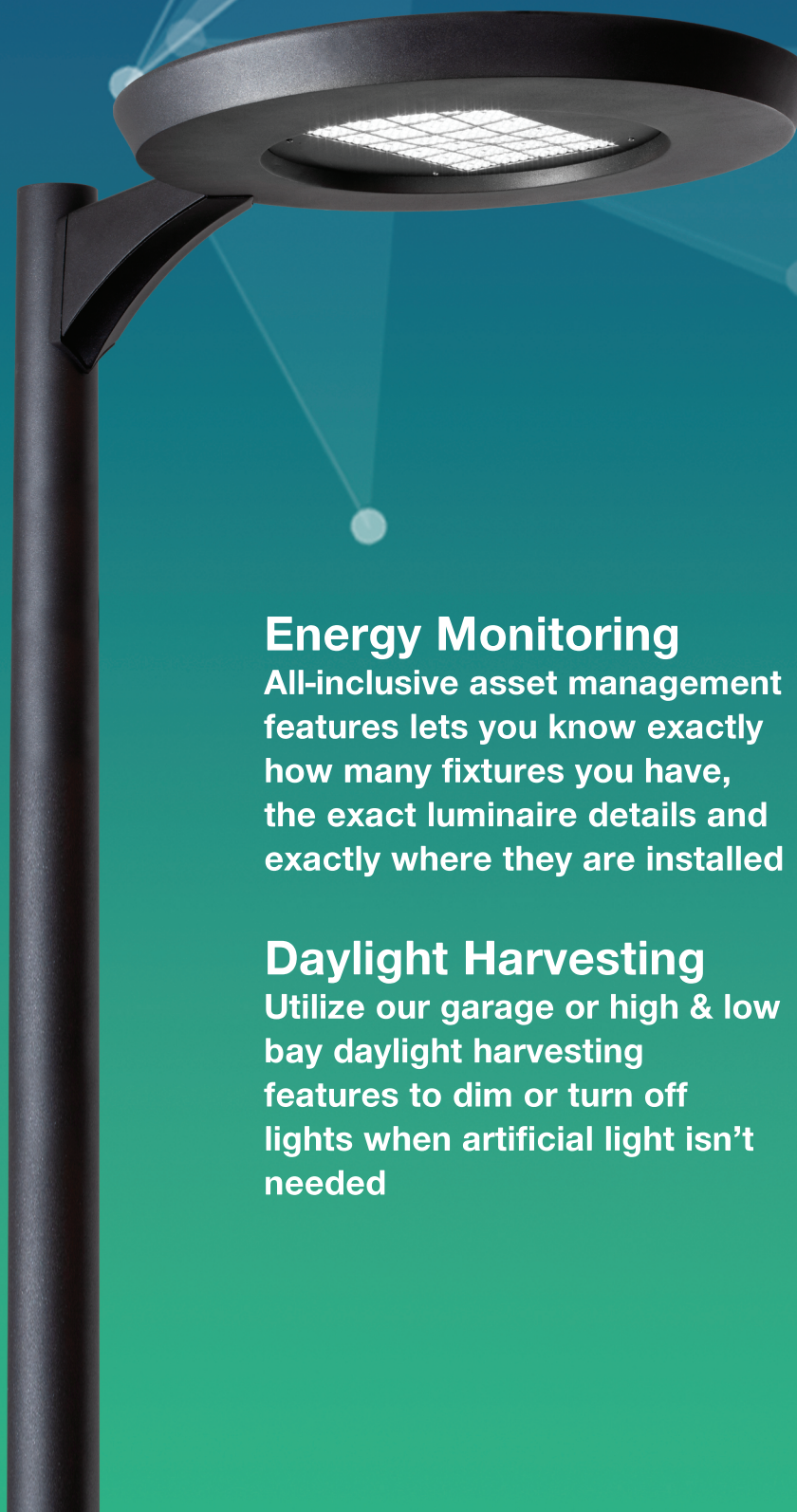
FG
Forest Green

VD
Verdigris Green

CC
Custom Color



 **pangealink** by Visionaire is Visionaire's new wireless mesh network lighting controls and Internet of Things (IoT) software platform. We offer both 7-Pin wireless nodes and internal wireless controller options. When paired with our wireless gateway, you can turn any outdoor lighting project into a dynamic connected lighting solution that is easily accessed with our proprietary software via the cloud. Whether it's a commercial parking lot, parking garage, large campus or miles and miles of city highways and downtown cityscapes...no project is too big or too small.



Occupancy Sensing

With our fixture's integrated motion sensor options provide a safety override to your time based schedules

Scheduling, Zones & Events

Simple creation of time and schedule based profiles, group luminaires for zonal control, create special event profiles

Controls On | Off | Dim

Utilize our garage or high & low bay daylight harvesting features to dim or turn off lights when artificial light isn't needed

Energy Monitoring

All-inclusive asset management features lets you know exactly how many fixtures you have, the exact luminaire details and exactly where they are installed

Daylight Harvesting

Utilize our garage or high & low bay daylight harvesting features to dim or turn off lights when artificial light isn't needed

Maintenance & Alerts

Real time maintenance features and system alerts are pushed via text or e-mail so you always know the health of your system, while helping improve service efficiency

Analytics & Reporting

Utilize our analytics & reporting functions to create standard recurring reports or run custom reports whenever necessary

Asset Management

All-inclusive asset management features lets you know exactly how many fixtures you have, the exact luminaire details and exactly where they are installed

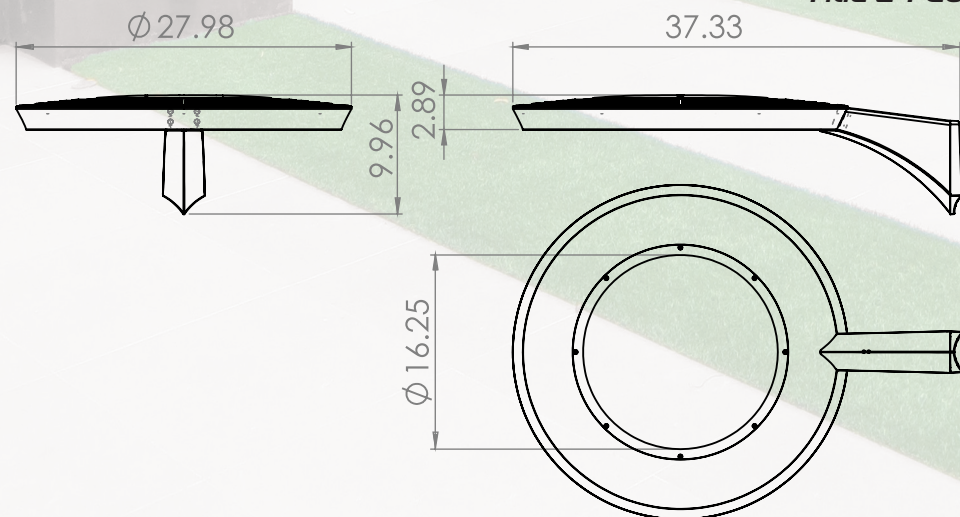


The Lusso Collection powered by ARRAY from Visionaire Lighting can elegantly compliment the daytime architecture of your space, while providing nighttime illumination that is up to task and equally as elegant. The collection consists of a wall sconce, bollard, single or twin arm post top and a beautiful pole mount. Available in two housings sizes and lumen packages up to 55,000 lumens thanks to our performance ARRAY LED platform. Scale and design creativity has no limits for any application.

Lusso Large Arm Mount

Key Features

- Cast aluminum housing
- IP65 Housing and LED optical assembly
- 1000 W Replacement
- 10 Specification Grade low glare optics
- 25,000 – 55,000 lumen packages
- 202-408 wattage range
- 120-277 Universal Drivers, 347 & 480 voltage drivers
- 10KV Surge Protector
- 90% Power Factor
- 10 Year Electrical Warranty
- PangeaLink compatible
- Quick Mount Cleat
- Mounts to round or square pole
- 3, 5 and 7 Photocell receptacles
- 0-10V Dimming driver
- Title 24 Compliant Motion Sensor



LUSSO ARRAY L-AM LED Specifications



Project Name: _____

Catalog Number: _____

Type: _____

Contemporary design meets the new generation of LED Array green technology in this stunning luminaire, the **Lusso Array**. The Lusso Array series provides over fifty percent energy savings over traditional HID light sources and offers excellent beam control and LED life beyond 100,000 hours for 1400 milliamp systems.

The Lusso Array's fully-sealed housing features an exceptionally well-designed thermal management system that provides superior heat dissipation.

The Lusso Array fixture is built with cast aluminum.

The new **Lusso Array** is the perfect compliment to any university campus, business park, or walkway project where contemporary, architectural design is desired.

Ordering Information

MODEL	OPTICS	LUMENS	KELVIN	VOLTAGE	MOUNTING	FINISH	OPTIONS	OPTIONS
LSO-L	T1 Type 1	25L	3K 3000K	UNV 120-277V	AM Arm Mount	BK Black	PCR-120 Photocell & Receptacle	VWC Visionaire Wireless Controls Consult Factory
	T2 Type 2	30L	4K 4000K	8 347V	WM Wall Mount Requires BAWP	SBK Smooth Black	PCR-208 Photocell & Receptacle	RPP3 For 3"Ø Pole - Round Pole Plate Adaptor
	T3 Type 3	35L	5K 5000K	5 480V	Round Pole Plate Adaptors (RPP) are to be ordered separately.	BZ Bronze	PCR-240 Photocell & Receptacle	RPP4 For 4"Ø Pole - Round Pole Plate Adaptor
	T3L Type 3 Long	40L				GP Graphite	PCR-277 Photocell & Receptacle	RPP5 For 5"Ø Pole - Round Pole Plate Adaptor
	T4 Type 4	45L			UPMA to be ordered separately.	GY Grey	PCR-480 Photocell & Receptacle	RPP5 For 5"Ø Pole - Round Pole Plate Adaptor
	T4A Type 4 Automotive	50L			BAWP to be ordered separately.	SL Silver Metallic	PER 3 Pin Photo Receptacle w/shorting cap	UPMA-S Universal Square Pole Mount Adaptor
	T4L Type 4 Long	55L				WH White	5PINPER 5 Pin Photo Receptacle w/shorting cap Requires Dimming Driver	UPMA-R Universal Round Pole Mount Adaptor
	T5LR Type 5 Long Round					SWH Smooth White	7PINPER 7 Pin Photo Receptacle w/shorting cap Requires Dimming Driver	BAWP Cast Wall Plate
	T5LS Type 5 Long Square					FG Forest Green	DIM 0-10v Dimming Driver	ROT-R Rotated Optics Right Side
	T5SR Type 5 Short Round					VD Verdigris Green	WSC-8 Motion Sensor 8' Mounting Height	ROT-L Rotated Optics Left Side
						CC Custom Color	WSC-20 Motion Sensor 9-20' Mounting Height	
							WSC-40 Motion Sensor 21-40' Mounting Height	

The WSC option will require (1) FSIR 100 remote for programming



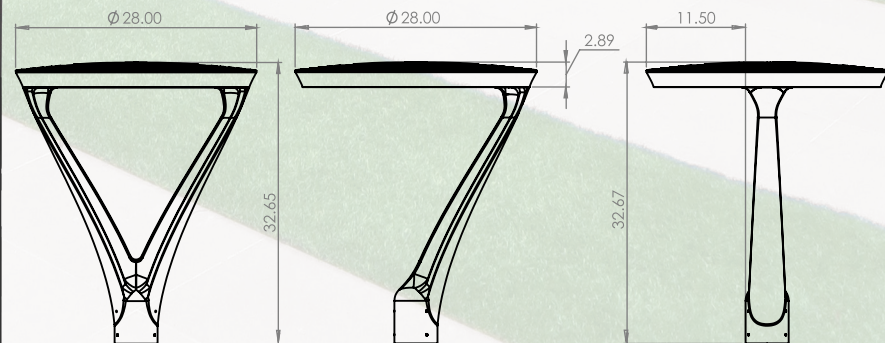
The Lusso Collection powered by ARRAY from Visionaire Lighting can elegantly compliment the daytime architecture of your space, while providing nighttime illumination that is up to task and equally as elegant. The collection consists of a wall sconce, bollard, single or twin arm post top and a beautiful pole mount. Available in two housings sizes and lumen packages up to 55,000 lumens thanks to our performance ARRAY LED platform. Scale and design creativity has no limits for any application.

Lusso Large Post Top



Key Features

- Cast aluminum housing
- IP65 Housing and LED optical assembly
- 1000 W Replacement
- 10 Specification Grade low glare optics
- 25,000 – 55,000 lumen packages
- 202 - 408 wattage range
- 120-277 universal Drivers, 347 & 480 voltage drivers
- 10KV Surge Protector
- 90% Power Factor
- 10 Year Electrical Warranty
- PangeaLink compatible
- Cantilever and Yoke Mount Design
- Mounts over 4"OD pole
- 3, 5 and 7 Photocell receptacles
- 0-10V Dimming driver
- Title 24 Compliant Motion Sensor



LUSSO ARRAY L-PT LED Specifications



Project Name:

Catalog Number:

Type:

Contemporary design meets the new generation of LED Array green technology in this stunning luminaire, the **Lusso Array**. The Lusso Array is offered in ten optical distributions.

The Lusso Array's fully-sealed housing features an exceptionally well-designed thermal management system that provides superior heat dissipation.

The Lusso Array fixture is built with cast aluminum.

The new **Lusso Array** is the perfect compliment to any university campus, business park, or walkway project where contemporary, architectural design is desired.

Ordering Information

MODEL	OPTICS	LUMENS	KELVIN	VOLTAGE	MOUNTING	FINISH	OPTIONS	OPTIONS
LSO-L	T1 Type 1	25L	3K 3000K	UNV 120-277V	PTS Post Top Single Arm	BK Black	PCR-120 Photocell & Receptacle	VWC Visionaire Wireless Controls Consult Factory
	T2 Type 2	30L	4K 4000K	8 347V		SBK Smooth Black	PCR-208 Photocell & Receptacle	ROT-R Rotated Optics Right Side
	T3 Type 3	35L	5K 5000K	5 480V	PTD Post Top Double Arm	BZ Bronze	PCR-240 Photocell & Receptacle	ROT-L Rotated Optics Left Side
	T3L Type 3 Long	40L				GP Graphite	PCR-277 Photocell & Receptacle	
	T4 Type 4	45L				WH White	PCR-480 Photocell & Receptacle	
	T4A Type 4 Automotive	50L				GY Grey	PER 3 Pin Photo Receptacle w/shorting cap	
	T4L Type 4 Long	55L				SL Silver Metallic	5PINPER 5 Pin Photo Receptacle w/shorting cap Requires Dimming Driver	
	T5LR Type 5 Long Round					SWH Smooth White	7PINPER 7 Pin Photo Receptacle w/shorting cap Requires Dimming Driver	
	T5LS Type 5 Long Square					FG Forest Green	DIM 0-10v Dimming Driver	WSC-8 Motion Sensor 8' Mounting Height
	T5SR Type 5 Short Round					VD Verdigris Green	WSC-20 Motion Sensor 9-20' Mounting Height	WSC-40 Motion Sensor 21-40' Mounting Height
						CC Custom Color		

The WSC option will require (1)FSIR 100 remote for programming



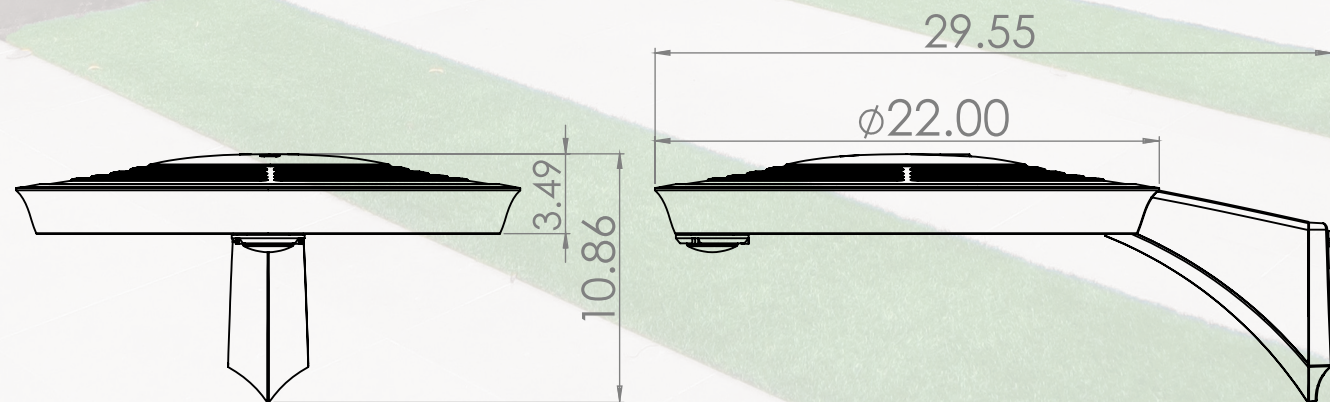


The Lusso Collection powered by ARRAY from Visionaire Lighting can elegantly compliment the daytime architecture of your space, while providing nighttime illumination that is up to task and equally as elegant. The collection consists of a wall sconce, bollard, single or twin arm post top and a beautiful pole mount. Available in two housings sizes and lumen packages up to 55,000 lumens thanks to our performance ARRAY LED platform. Scale and design creativity has no limits for any application.

Lusso Medium Arm Mount

Key Features

- Cast aluminum housing
- IP65 Housing and LED optical assembly
- 400 W Replacement
- 10 Specification Grade low glare optics
- 5,000 – 27,000 lumen packages
- 52 – 200 wattage range
- 120-277 universal Drivers, 347 & 480 voltage drivers
- 10KV Surge Protector
- 90% Power Factor
- 10 Year Electrical Warranty
- PangeaLink compatible
- Quick Mount Cleat
- Mounts to round or square pole
- 3, 5 and 7 Photocell receptacles
- 0-10V Dimming driver
- Title 24 Compliant Motion Sensor



LUSSO ARRAY M-AM LED Specifications



Project Name: _____

Catalog Number: _____

Type: _____

Contemporary design meets the new generation of LED green technology in this stunning luminaire, the **Lusso Array**. The Lusso Array series provides over fifty percent energy savings over traditional HID light sources; and offers excellent beam control and LED life beyond 100,000 hours for 1400 milliamp systems. The Lusso Array is offered in ten optical distributions.

The Lusso Array's fully-sealed housing features an exceptionally well-designed thermal management system that provides superior heat dissipation.

The Lusso Array fixture is built with cast aluminum.

The **Lusso Array** is the perfect compliment to any university campus, business park, or walkway project where contemporary, architectural design is desired.

Ordering Information

MODEL	OPTICS	LUMENS	KELVIN	VOLTAGE	MOUNTING	FINISH	OPTIONS	OPTIONS
LSO-M	T1 Type 1	5L 10L	3K 3000K	UNV 120-277V	AM Arm Mount	BK Black	PCR-120 Photocell & Receptacle	VWC Visionaire Wireless Controls Consult Factory
	T2 Type 2	15L	4K 4000K	8 347V	WM Wall Mount Requires BAWP	SBK Smooth Black	PCR-208 Photocell & Receptacle	RPP3 For 3"Ø Pole - Round Pole Plate Adaptor
	T3 Type 3	20L 25L	5K 5000K	5 480V	Round Pole Plate Adaptors (RPP) are to be ordered separately.	BZ Bronze	PCR-240 Photocell & Receptacle	RPP4 For 4"Ø Pole - Round Pole Plate Adaptor
	T3L Type 3 Long				UPMA to be ordered separately.	GP Graphite	PCR-277 Photocell & Receptacle	RPP5 For 5"Ø Pole - Round Pole Plate Adaptor
	T4 Type 4				BAWP to be ordered separately.	GY Grey	PCR-480 Photocell & Receptacle	RPP5 For 5"Ø Pole - Round Pole Plate Adaptor
	T4A Type 4 Automotive					SL Silver Metallic	PER 3 Pin Photo Receptacle w/shorting cap	UPMA-S Universal Square Pole Mount Adaptor
	T4L Type 4 Long					WH White	5PINPER 5 Pin Photo Receptacle w/shorting cap Requires Dimming Driver	UPMA-R Universal Round Pole Mount Adaptor
	T5LR Type 5 Long Round					SWH Smooth White	7PINPER 7 Pin Photo Receptacle w/shorting cap Requires Dimming Driver	BAWP Cast Wall Plate
	T5LS Type 5 Long Square					FG Forest Green	DIM 0-10v Dimming Driver	ROT-R Rotated Optics Right Side
	T5SR Type 5 Short Round					VD Verdigris Green	WSC-8 Motion Sensor 8' Mounting Height	ROT-L Rotated Optics Left Side
					CC Custom Color	WSC-20 Motion Sensor 9-20' Mounting Height		
							WSC-40 Motion Sensor 21-40' Mounting Height	

The WSC option will require (1) FSIR 100 remote for programming

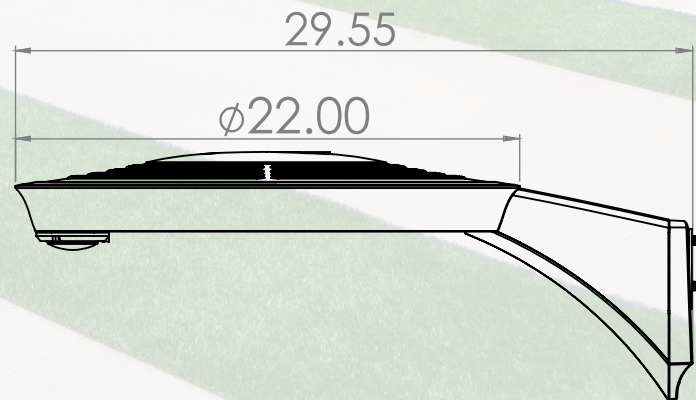


The Lusso Collection powered by ARRAY from Visionaire Lighting can elegantly compliment the daytime architecture of your space, while providing nighttime illumination that is up to task and equally as elegant. The collection consists of a wall sconce, bollard, single or twin arm post top and a beautiful pole mount. Available in two housings sizes and lumen packages up to 55,000 lumens thanks to our performance ARRAY LED platform. Scale and design creativity has no limits for any application.

Lusso Medium Arm Mount w/ Serenity Lens

Key Features

- Cast aluminum housing
- IP65 Housing and LED optical assembly
- 400 W Replacement
- 5 Specification Grade low glare optics
- 5,000 – 17,000 lumen packages
- 52 – 200 wattage range
- 120-277 universal Drivers, 347 & 480 voltage drivers
- 10KV Surge Protector
- 90% Power Factor
- 10 Year Electrical Warranty
- PangeaLink compatible
- Quick Mount Cleat
- Mounts to round or square pole
- 3, 5 and 7 Photocell receptacles
- 0-10V Dimming driver
- Title 24 Compliant Motion Sensor



LUSSO ARRAY M-AM Serenity Lens LED Specifications



Project Name: _____

Catalog Number: _____

Type: _____

Contemporary design meets the new generation of LED green technology in this stunning luminaire, the **Lusso Array**. The Lusso Array series provides over fifty percent energy savings over traditional HID light sources; and offers excellent beam control and LED life beyond 100,000 hours for 1400 milliamp systems. The Lusso Array is offered in ten optical distributions.

The Lusso Array's fully-sealed housing features an exceptionally well-designed thermal management system that provides superior heat dissipation.

The Lusso Array fixture is built with cast aluminum.

The **Lusso Array** is the perfect compliment to any university campus, business park, or walkway project where contemporary, architectural design is desired.

Ordering Information

MODEL	OPTICS	LUMENS	KELVIN	VOLTAGE	MOUNTING	FINISH	SERENITY LENS	OPTIONS	OPTIONS
LSO-M	T1 Type 1	5L 8L	3K 3000K	UNV 120-277V	AM Arm Mount	BK Black	LDL Lightly Diffused Lens	PCR-120 Photocell & Receptacle	VWC Visionaire Wireless Controls Consult Factory
	T2 Type 2	11L	4K 4000K	8 347V	WM Wall Mount Requires BAWP	SBK Smooth Black	HDL High Diffused Lens	PCR-208 Photocell & Receptacle	RPP3 For 3" Pole - Round Pole Plate Adaptor
	T3L Type 3 Long	14L 17L	5K 5000K	5 480V	Round Pole Plate Adaptors (RPP) are to be ordered separately.	BZ Bronze		PCR-240 Photocell & Receptacle	RPP4 For 4" Pole - Round Pole Plate Adaptor
	T4L Type 4 Long				UPMA to be ordered separately.	GP Graphite		PCR-277 Photocell & Receptacle	RPP5 For 5" Pole - Round Pole Plate Adaptor
	T5LS Type 5 Long Square				BAWP to be ordered separately.	GY Grey		PCR-480 Photocell & Receptacle	UPMA-S Universal Square Pole Mount Adaptor
						SL Silver Metallic		PER 3 Pin Photo Receptacle w/shorting cap	UPMA-R Universal Round Pole Mount Adaptor
						WH White		5PINPER 5 Pin Photo Receptacle w/shorting cap Requires Dimming Driver	BAWP Cast Wall Plate
						SWH Smooth White		7PINPER 7 Pin Photo Receptacle w/shorting cap Requires Dimming Driver	ROT-R Rotated Optics Right Side
						FG Forest Green		DIM 0-10v Dimming Driver	ROT-L Rotated Optics Left Side
						VD Verdigris Green		WSC-8 Motion Sensor 8' Mounting Height	
						CC Custom Color		WSC-20 Motion Sensor 9-20' Mounting Height	
								WSC-40 Motion Sensor 21-40' Mounting Height	

The WSC option will require (1) FSIR 100 remote for programming

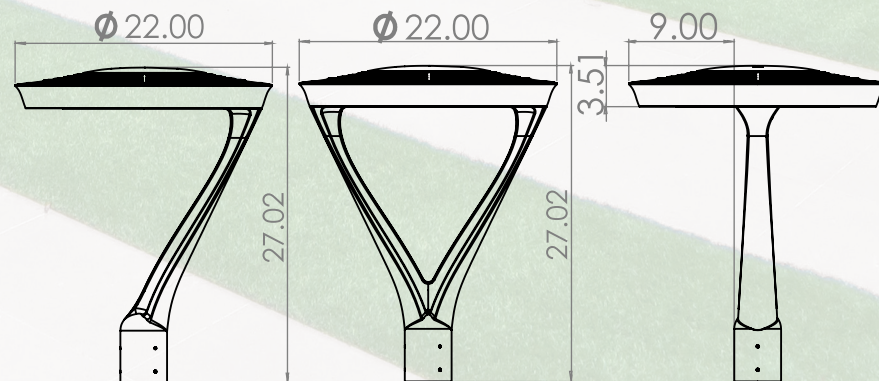
The **Lusso Collection** powered by **ARRAY** from Visionaire Lighting can elegantly compliment the daytime architecture of your space, while providing nighttime illumination that is up to task and equally as elegant. The collection consists of a wall sconce, bollard, single or twin arm post top and a beautiful pole mount. Available in two housings sizes and lumen packages up to 55,000 lumens thanks to our performance **ARRAY** LED platform. Scale and design creativity has no limits for any application.

Lusso Medium Post Top



Key Features

- Cast aluminum housing
- IP65 Housing and LED optical assembly
- 400 W Replacement
- 10 Specification Grade low glare optics
- 5,000 – 27,000 lumen packages
- 52 – 200 wattage range
- 120-277 universal Drivers, 347 & 480 voltage drivers
- 10KV Surge Protector
- 90% Power Factor
- 10 Year Electrical Warranty
- PangeaLink compatible
- Cantilever and Yoke Mount Design
- Mounts over 3"OD tenon
- 3, 5 and 7 Photocell receptacles
- 0-10V Dimming driver
- Title 24 Compliant Motion Sensor



LUSSO ARRAY M-PT LED Specifications



Project Name: _____

Catalog Number: _____

Type: _____

Contemporary design meets the new generation of LED green technology in this stunning luminaire, the **Lusso Array**. The Lusso Array series provides over fifty percent energy savings over traditional HID light sources; and offers excellent beam control and LED life beyond 100,000 hours for 1400 milliamp systems. The Lusso Array is offered in ten optical distributions.

The Lusso Array's fully-sealed housing features an exceptionally well-designed thermal management system that provides superior heat dissipation.

The Lusso Array fixture is built with cast aluminum.

The **Lusso Array** is the perfect compliment to any university campus, business park, or walkway project where contemporary, architectural design is desired.

Ordering Information

MODEL	OPTICS	LUMENS	KELVIN	VOLTAGE	MOUNTING	FINISH	OPTIONS	OPTIONS	
LSO-M	T1 Type 1	5L 10L	3K 3000K	UNV 120-277V	PTS Post Top Single Arm PTD Post Top Double Arm <small>The Lusso Medium Post Top will slip over a 3" O.D. X 4" Tall tenon</small>	BK Black	PCR-120 Photocell & Receptacle	VWC Visionaire Wireless Controls Consult Factory	
	T2 Type 2	15L	4K 4000K	8 347V		SBK Smooth Black	PCR-208 Photocell & Receptacle	ROT-R Rotated Optics Right Side	
	T3 Type 3	20L 25L	5K 5000K	5 480V		BZ Bronze	PCR-240 Photocell & Receptacle	ROT-L Rotated Optics Left Side	
	T3L Type 3 Long					GP Graphite	PCR-277 Photocell & Receptacle	PCR-480 Photocell & Receptacle	
	T4 Type 4					GY Grey	PER 3 Pin Photo Receptacle w/shorting cap		
	T4A Type 4 Automotive					SL Silver Metallic	5PINPER 5 Pin Photo Receptacle w/shorting cap Requires Dimming Driver		
	T4L Type 4 Long					WH White	7PINPER 7 Pin Photo Receptacle w/shorting cap Requires Dimming Driver		
	T5LR Type 5 Long Round					SWH Smooth White	DIM 0-10v Dimming Driver		
	T5LS Type 5 Long Square					FG Forest Green	WSC-8 Motion Sensor 8' Mounting Height		
	T5SR Type 5 Short Round					VD Verdigris Green	WSC-20 Motion Sensor 9-20' Mounting Height		
						CC Custom Color	WSC-40 Motion Sensor 21-40' Mounting Height		
									The WSC option will require (1) FSIR 100 remote for programming



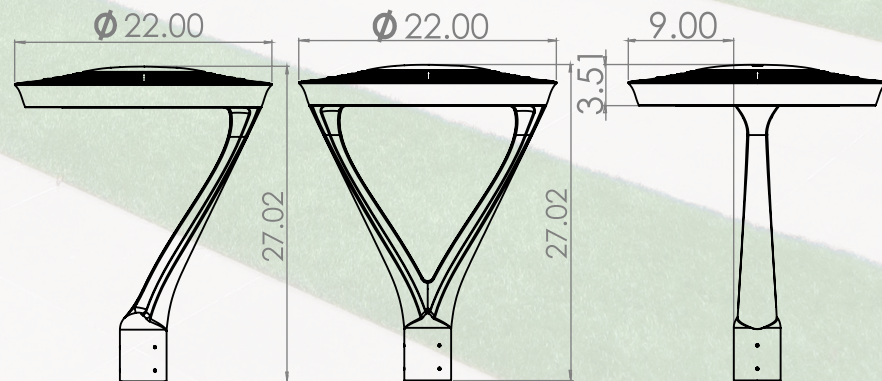
The **Lusso Collection** powered by **ARRAY** from Visionaire Lighting can elegantly compliment the daytime architecture of your space, while providing nighttime illumination that is up to task and equally as elegant. The collection consists of a wall sconce, bollard, single or twin arm post top and a beautiful pole mount. Available in two housings sizes and lumen packages up to 55,000 lumens thanks to our performance **ARRAY** LED platform. Scale and design creativity has no limits for any application.

Lusso Medium Post Top w/ Serenity Lens



Key Features

- Cast aluminum housing
- IP65 Housing and LED optical assembly
- 400 W Replacement
- 5 Specification Grade low glare optics
- 5,000 – 17,000 lumen packages
- 52 – 200 wattage range
- 120-277 universal Drivers, 347 & 480 voltage drivers
- 10KV Surge Protector
- 90% Power Factor
- 10 Year Electrical Warranty
- PangeaLink compatible
- Cantilever and Yoke Mount Design
- Mounts over 3"OD tenon
- 3, 5 and 7 Photocell receptacles
- 0-10V Dimming driver
- Title 24 Compliant Motion Sensor



LUSSO ARRAY M-PT Serenity Lens LED Specifications



Project Name: _____

Catalog Number: _____

Type: _____

Contemporary design meets the new generation of LED green technology in this stunning luminaire, the **Lusso Array**. The Lusso Array series provides over fifty percent energy savings over traditional HID light sources; and offers excellent beam control and LED life beyond 100,000 hours for 1400 milliamp systems. The Lusso Array is offered in ten optical distributions.

The Lusso Array's fully-sealed housing features an exceptionally well-designed thermal management system that provides superior heat dissipation.

The Lusso Array fixture is built with cast aluminum.

The **Lusso Array** is the perfect compliment to any university campus, business park, or walkway project where contemporary, architectural design is desired.

Ordering Information

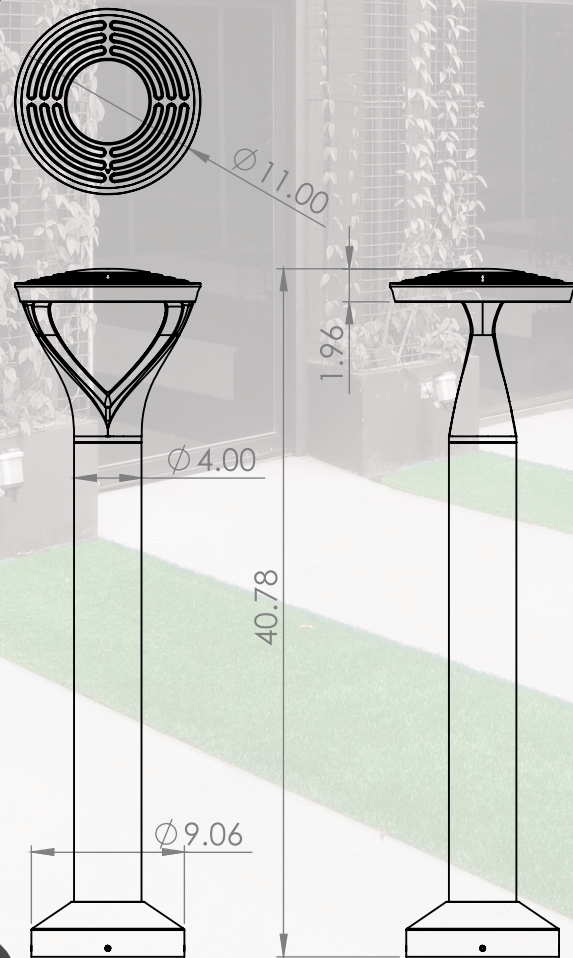
MODEL	OPTICS	LUMENS	KELVIN	VOLTAGE	MOUNTING	FINISH	SERENITY LENS	OPTIONS
LSO-M	T1 Type 1	5L 8L	3K 3000K	UNV 120-277V	PTS Post Top Single Arm	BK Black	LDL Lightly Diffused Lens	PCR-120 Photocell & Receptacle
	T2 Type 2	11L	4K 4000K	8 347V		SBK Smooth Black	HDL High Diffused Lens	PCR-208 Photocell & Receptacle
	T3L Type 3 Long	14L 17L	5K 5000K	5 480V	PTD Post Top Double Arm	BZ Bronze	PCR-240 Photocell & Receptacle	
	T4L Type 4 Long					GP Graphite	PCR-277 Photocell & Receptacle	
	T5LS Type 5 Long Square					GY Grey	PCR-480 Photocell & Receptacle	
						SL Silver Metallic	PER 3 Pin Photo Receptacle w/shorting cap	
						WH White	5PINPER 5 Pin Photo Receptacle w/shorting cap Requires Dimming Driver	
						SWH Smooth White	7PINPER 7 Pin Photo Receptacle w/shorting cap Requires Dimming Driver	
						FG Forest Green	DIM 0-10v Dimming Driver	
						VD Verdigris Green	WSC-8 Motion Sensor 8' Mounting Height	
						CC Custom Color	WSC-20 Motion Sensor 9-20' Mounting Height	
							WSC-40 Motion Sensor 21-40' Mounting Height	
							The WSC option will require (1) FSIR-100 remote for programming	
							VWC Visionaire Wireless Controls Consult Factory	
							ROT-R Rotated Optics Right Side	
							ROT-L Rotated Optics Left Side	





The Lusso Collection powered by high-powered LEDs from Visionaire Lighting can elegantly compliment the daytime architecture of your space, while providing nighttime illumination that is up to task and equally as elegant. The collection consists of a wall sconce, bollard, single or twin arm post top and a beautiful pole mount. Available in two housings sizes and lumen packages up to 55,000 lumens thanks to our performance ARRAY LED platform. Scale and design creativity has no limits for any application.

Lusso Bollard



Key Features

- Cast aluminum housing
- IP65 Housing and LED optical assembly
- 6 Specification Grade low glare optics
- Serenity High and Low Diffused lens
- 1,000 - 5,000 lumen packages
- 13 45 wattage range
- 120-277 universal Drivers
- 10KV Surge Protector
- 90% Power Factor
- 5 Year Electrical Warranty
- Button Style Photocell
- 0-10V Dimming driver
- PangeaLink compatible

LUSSO Bollard LED Specifications



Shown with Serenity Lens

Project Name: _____

Catalog Number: _____

Type: _____

The **Lusso Bollard LED** Series continues the unique contemporary design inspired by the sleek styling of the Lusso family. Separating the Driver(s) from the individual cast aluminum LED engines: optimize the life of the LEDs and the Driver(s); and maximizes the lumen output of the fixture.

Six optical distribution patterns are available. Choose between 3K, 4K or 5K Kelvin temperature of the LED's.

A durable polyester powdercoat finish is guaranteed for five years; and is available in standard or custom colors.

The **Lusso Bollard LED** Series is an exceptional choice for low level lighting applications.

Ordering Information

MODEL	HEIGHT	OPTICS	SOURCE	CURRENT	KELVIN	VOLTAGE	MOUNTING	FINISH	OPTIONS
LSO-B	S36 Straight 36"	T1 Type 1	20LC	1 175mA	3K 3000K	UNV 120-277V	AB Anchor Base	BK Black	PC-120 Button Type Photocell
	S41 Straight 41"	T2 Type 2		3 350mA	4K 4000K			SBK Smooth Black	PC-208 Button Type Photocell
		T3 Type 3		5 530mA	5K 5000K			BZ Bronze	PC-240 Button Type Photocell
		T4 Type 4		7 700mA				GP Graphite	PC-277 Button Type Photocell
		T5 Type 5						GY Grey	PC-277 Button Type Photocell
		T5W Type 5 Wide						SL Silver Metallic	DIM 0-10v Dimming Driver
								WH White	LDL Lightly Diffused Lens
								SWH Smooth White	HDL High Diffused Lens
								FG Forest Green	
								VD Verdigris Green	
								CC Custom Color	



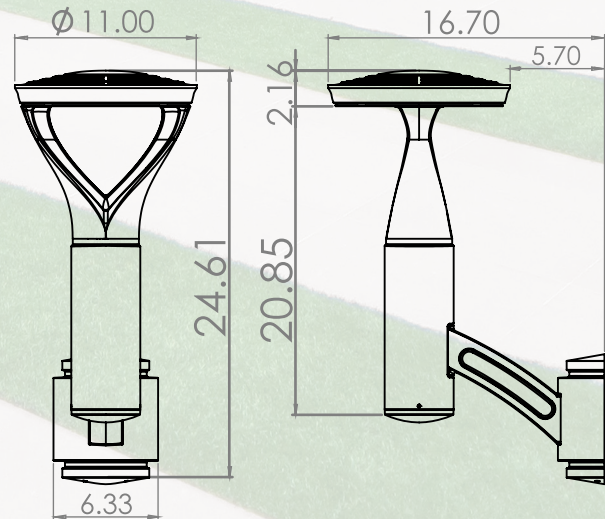
The Lusso Collection powered by high-powered LEDs from Visionaire Lighting can elegantly compliment the daytime architecture of your space, while providing nighttime illumination that is up to task and equally as elegant. The collection consists of a wall sconce, bollard, single or twin arm post top and a beautiful pole mount. Available in two housings sizes and lumen packages up to 55,000 lumens thanks to our performance ARRAY LED platform. Scale and design creativity has no limits for any application.

Lusso Sconce



Key Features

- Cast aluminum housing
- IP65 Housing and LED optical assembly
- 6 Specification Grade low glare optics
- Serenity High and Low Diffused lens
- 1,000 – 5,000 lumen packages
- 13 – 45 wattage range
- 120-277 universal Drivers
- 10KV Surge Protector
- 90% Power Factor
- Cantilever and Yoke Mount Design
- 5 Year Electrical Warranty
- Button Style Photocell
- 0-10V Dimming driver
- PangeaLink compatible



LUSSO Sconce LED Specifications



Shown with Serenity Lens

Project Name:

Catalog Number:

Type:

The **Lusso Sconce LED** Series continues the unique contemporary design inspired by the sleek styling of the Lusso family. Separating the Driver(s) from the individual die-cast aluminum LED engines: optimize the life of the LEDs and the Driver(s); and maximizes the lumen output of the fixture.

Four optical distribution patterns are available. Choose between 3K, 4K or 5K Kelvin temperature of the LED's.

A durable polyester powdercoat finish is guaranteed for five years; and is available in standard or custom colors.

The **Lusso Sconce LED** Series is an exceptional choice for low level lighting applications.

Ordering Information

MODEL	OPTICS	SOURCE	CURRENT	KELVIN	VOLTAGE	MOUNTING	FINISH	OPTIONS
LSO-S	T1 Type 1	20LC	1 175mA	3K 3000K	UNV 120-277V	WM-PTS Wall Mount Post Top Single Arm	BK Black	PC-120 Button Type Photocell
	T2 Type 2		3 350mA	4K 4000K			SBK Smooth Black	PC-208 Button Type Photocell
	T3 Type 3		5 530mA	5K 5000K		WM-PTD Wall Mount Post Top Double Arm	BZ Bronze	PC-240 Button Type Photocell
	T4 Type 4		7 700mA				GP Graphite	PC-277 Button Type Photocell
							GY Grey	DIM 0-10v Dimming Driver
							SL Silver Metallic	LDL Lightly Diffused Lens
							WH White	HDL High Diffused Lens
							SWH Smooth White	
							FG Forest Green	
							VD Verdigris Green	
							CC Custom Color	

LIMITED WARRANTY

Visionaire Lighting, LLC (hereinafter referenced as "Visionaire") warrants all non-LED products against defects in materials and workmanship for a period of two (2) years and all LED products for a period of five (5) years from date of shipment. Products utilizing Visionaire's Array technology are warranted for (10) years on electrical components. Any component manufactured by Visionaire Lighting proven to be defective within two (2) years from date of shipment (provided that the conditions of installation and operation have been proper) will be repaired or replaced at Visionaire's option. Labor and other installation costs for replacement items are not included in this limited warranty and are the responsibility of the purchaser.

This warranty does not include lamps, ballasts, capacitors, igniters, photocells, sensors or other related equipment not manufactured by Visionaire.

LED: All LED Light fixtures and Light engines including but not limited to Visionbar™ are warranted for a period of (5) years. Products utilizing Visionaire's Array technology are warranted for 10 years. If 25% of the individual LED diodes (light sources) in the LED VisionBar™ should fail within the warranty period, Visionaire will provide the purchaser with a replacement LED VisionBar™. Labor and other installation costs for replacement of LED VisionBars™ are not included in this limited warranty and are the responsibility of the purchaser.

LED Drivers: LED drivers are warranted by the OEM for a period of five (5) years. Products utilizing Visionaire's Array technology are warranted for 10 years. Visionaire makes no representation of any warranty by the OEM.

Solar Components:

1. Solar Panels - Solar panels are not warranted by Visionaire Lighting. Visionaire makes no representation of any warranty by the OEM.
2. Solar Batteries - Solar batteries are warranted for a period of two (2) years from shipment by the solar battery OEM. Visionaire provides no warranty on batteries. Visionaire makes no representation of any warranty by the OEM.
3. Solar Controls, Time Clocks, and Internal Electrical Components within any Solar Assembly are warranted only by that part's respective OEM. Visionaire provides no warranty on these components. Visionaire makes no representation of any warranty by the OEM.

Finishes: All Visionaire products are powder coated and guaranteed for a two (2) year period. Poles must be inspected regularly and wiped clean to ensure a non-abrasive surface. Visionaire's poles, brackets, and fixtures are warranted against peeling, cracking, fading or chalking. The warranty is at sellers' discretion as to how and where to fix any problems that may occur. Seller will not cover costs of transportation, installation, and removal of defective or damaged poles.

This warranty applies to products sold for installation in the United States and Canada. Products that are installed outside the United States and Canada carry no implicit or implied warranty unless specifically indicated by separate documentation approved by Visionaire senior management.

Visionaire will not honor any claim without prior written approval.

No other Guarantees or Warranties, expressed or implied, exist beyond those included above.

For more detailed information on mounting, wiring or installation instructions, please consult the factory. If poles are not ordered with fixtures, please specify mounting requirements. This document contains proprietary information of Visionaire Lighting, LLC. Any use of this information requires the written approval of Visionaire Lighting, LLC. In keeping with our TQM policy of continuous improvement, Visionaire reserves the right to change any specifications contained herein without prior notice.

REV 03/05/2020

TERMS & CONDITIONS

Prices: Written quotations are valid for a period of 30 days, unless specified otherwise in writing. Prices are subject to change without notice.

Shipping, Handling, Transportation, and Delivery: All prices are FOB shipping point; freight allowance begins with orders over and above \$3000.00 per shipment, per destination in the continental United States. Any order that will not qualify for pre-paid factory freight will be charged in the following manner:

- Fixtures will be shipped and charged the Freight Company's cost to Visionaire, plus an additional 15% fee for handling.
- Flatbed or special trucks requested from the buyer will result in additional shipping and handling charges.
- Air Freight shipments requested by the buyer will be invoiced at Visionaire's cost of freight. Seller will use its own discretion in routing all shipments, upon which it assumes transportation charges. Seller may make partial shipments at its discretion; however, each such shipment will be subsequently invoiced on terms applicable to the complete order. Seller will not assume, allow or pay any fees for cartage. While every effort is made to ship as scheduled, any delay or failure due to strikes, lockouts, fires, breakdowns, supplier delays, lack of shipping space, lack of customer approval, correction or clarification of order, governmental acts or regulations, acts of God and any other circumstances beyond the control of Visionaire shall not be a breach of contract.

Any goods damaged or lost in transit must be noted so on the delivering carrier's freight bill. Rates are determined in proportion to the damage liability; therefore, the carrier, and not the shipper, should be charged with all loss or damage. Visionaire will do everything to assist the buyer, except file the claim. Replacement goods must be ordered and paid for by the consignee. Shipments must be unloaded promptly as we will pay no storage or re-delivery fee.

Buyer must examine the merchandise upon delivery, and must report all apparent errors or defects to Seller within ten (10) days of delivery; otherwise, it shall be conclusively presumed between buyer and seller that the merchandise has been delivered as specified in this contract.

Cancellations, Returns or Suspension of Orders: Deposits are utilized for the purchase of materials. As such, deposits are non refundable. Returns as a result of Buyer error must be explicitly approved by company management. Buyer, upon approval of return, will be charged for freight, both ways and a minimum service charge of 35% of the product value. This will be deducted from all returned goods to cover the costs of handling, unpacking, inspecting, and break down of all component parts and re-stocking. Postponement of deliveries at the Buyer's request, if for a period of more than 30 days will not be made without the seller's approval in writing. Lighting products are custom manufactured for each customer. They are not "stock" products. Company management reserves the right to approve or deny a request for a return at its sole discretion.

All suspensions are liable to handling and storage fees. Seller will not accept the return of any goods without the seller's prior written consent, and the buyer must request an RA within 30 days of the seller's invoice. Returns will not be accepted after this time. In the event of a replacement order, we will first charge for replacement items and then credit upon return of the defective or incorrect items. 60 day terms will be set on these items, and if the returnable items are not received by the 60 day mark, the invoice will become due and payable.

Product Changes: Visionaire reserves the right to make modifications or changes to any of its products without prior notice and without incurring obligation.

Taxes: All prices, quotations, orders, and agreements are subject to local and federal taxes. These taxes will be added to the invoice unless legal proof of exemption is provided.

Cost of Collection: If buyer defaults with respect to any payment described here and above, it shall pay Seller for all costs and expenses, including legal expenses and attorney fees, incurred by the seller in exercising any of its rights or remedies.

This warranty excludes fatigue failure caused by induced vibration. Fixtures must be maintained and inspected on a regular basis. Repair of scratches, scrapes, bumps, etc. must be conducted to ensure a safe and attractive product.

Terms: Interest of 2% per month + Attorney's Fees and Costs will be levied on all past due accounts. Invoices are dated when they are mailed from Visionaire. Minimum Order is \$200.00, except for replacement parts. ALL ORDERS MUST INCLUDE A WRITTEN PURCHASE ORDER. Attorneys fees, and costs will be levied if consul is retained to collect past due amounts.

REV 03/09/2020



19645 Rancho Way . Rancho Dominguez, CA 90220
310.512.6480 • www.visionairelighting.com