

RTSP Specifications

Round Tapered Steel Pole



Round Tapered Steel Pole

Pole Shaft

• Fabricated from coil stock, weldable grade, hot rolled commercial quality structural steel tube which has a wall thickness of 11 gauge or 7 gauge. Shaft conforms to ASTM specifications. Meets or exceeds minimum yield strength of 55,000 PSI. Shaft is furnished with ground lug inside pole, opposite hand hole opening.

Base Plate

• Fabricated from structural quality hot rolled steel. Meets or exceeds minimum yield strength of 36,000 PSI. Base is circumferentially welded to pole shaft. Bolt holes slotted to provide 1" flexibility on either side of bolt circle. Consult factory for pole base templates.
 • Base templates provided with order. Do not pre-pour.

Base Cover

• Die-formed from heavy gauge quality aluminum. Two piece cover for easy installation. Square base cover is standard, round base cover is optional.

Pole Cap

• Color-impregnated polymer snap-to-close pole cap provided in black.

Finish

• All poles are shot-blasted and cleaned to a near-white finish prior to painting. A Quali-Guard® textured thermoset polyester powder coat is then applied to a minimum of 3 mils and then oven-baked at a temperature of 400 °F to promote exceptional adherence and finish hardness. Optional Zinc-Rich Primer - Recommended within three miles of the ocean. Pole finish is warranted for a full two (2) years. An optional five (5) year extended warranty is also available (external primer coat and internal rust inhibiting coating).

Project Name:

Catalog Number:






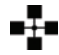
Type:

Date:

Location:

Anchor Bolts

• Poles are provided with hot-dip galvanized anchor bolts, with a "J" bend on one end and two flat hex bolts end and two flat washers per bolt. Anchor bolts meet or exceed a minimum of 36,000 PSI. Anchor bolts conform to ASTM F1554 grade 36 and are provided.

MODEL	HEIGHT	GAUGE	BASE	ANCHORAGE	MOUNTING
RTSP Round Tapered Steel Pole	20'	11	12BC 12" Base *12¾" BC	136 1" × 36"	S1 Single Bolt-On Arm 
	25'	7			D2 Double 180° Bolt-On Arm 
	30'		D9 Double 90° Bolt-On Arm 		
	35'		T1 Triple 120° Bolt-On Arm 		
	39'		T9 Triple 90° Bolt-On Arm 		
			CBC Custom Bolt Circle *Consult Factory		QD Quad Bolt-On Arm 
			Direct Burial *Consult Factory		Tenon Options

FINISH	OPTIONS
BZ Bronze	GFI GFI Receptacle *Standard location is in hand hole. *Specify GFI location if different from hand hole location. Supplied with in use cover.
BK Black	
SBK Smooth Black	
WH White	
SWH Smooth White	USB USB Receptacle *Specify location. Supplied with in use cover.
GP Graphite	
GY Grey	CUP1/2 Coupling 1/2" *Specify location
SL Silver Metallic	CUP3/4 Coupling 3/4" *Specify location
GN Tennis Green	
FG Forest Green	RBC Round Base Cover
CC Custom Color	HCR Rust-Inhibiting Internal Coating & Primer *Required for Direct Burial Poles
GAL Galvanized *No Paint *Consult Factory	
XX+GAL Powder Coat Paint Over Galvanized *Consult Factory	IVD Internal Vibration Dampener
ZRP Zinc-Rich Primer Coat *Consult Factory	EB Eye Bolt
	UL UL Certified

- T238R**
2 3/8"
- T3R**
3"
- T3.5R**
3 1/2"

Pole EPA for Round Tapered Steel Poles

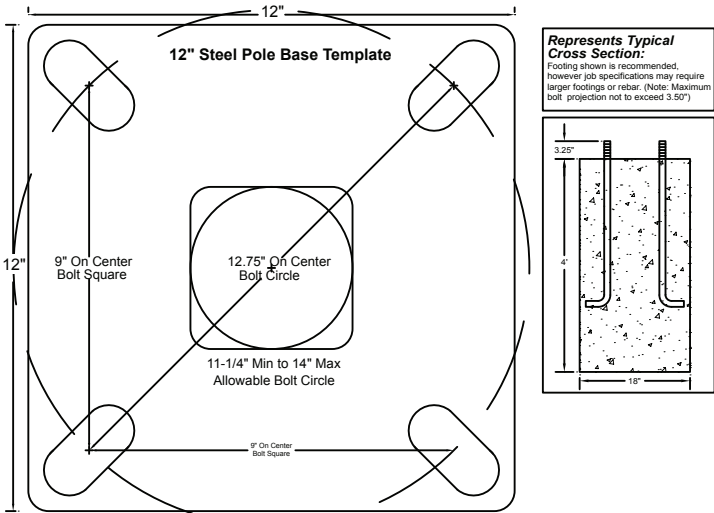
Pole Height	Maximum Allowable EPA (ft ²) with 1.3 gust factor									Base Diameter	Pole Gauge	Bolt Circle	Anchor Bolt Size	Pole Weight
	90 mph	100 mph	110 mph	120 mph	130 mph	140 mph	150 mph	160 mph	170 mph					
20'	20.6	15.8	14.5	16.7	13.3	11.0	9.1	7.6	6.3	6 ³ / ₈ "	11	12 ³ / ₄ "	1" x 36"	144
20'	32.2	25.2	23.2	26.0	20.9	17.7	14.9	12.7	10.8	6 ³ / ₈ "	7	12 ³ / ₄ "	1" x 36"	192
25'	20.3	15.3	13.9	14.4	11.0	8.9	7.1	5.6	4.3	7 ¹ / ₈ "	11	12 ³ / ₄ "	1" x 36"	209
25'	32.7	25.3	23.2	23.4	18.6	15.2	12.7	10.5	8.7	7 ¹ / ₈ "	7	12 ³ / ₄ "	1" x 36"	284
30'	16.3	11.7	10.4	11.9	8.8	6.7	5.0	3.6	2.4	7 ³ / ₄ "	11	12 ³ / ₄ "	1" x 36"	255
30'	31.3	23.9	21.8	20.5	16.0	12.8	10.3	8.3	6.6	7 ³ / ₄ "	7	12 ³ / ₄ "	1" x 36"	374
35'	14.8	10.2	8.9	10.0	6.9	4.7	3.0	1.7	N/A	8 ³ / ₈ "	11	12 ³ / ₄ "	1" x 36"	315
35'	30.0	22.5	20.4	18.5	14.3	11.2	8.7	6.6	4.6	8 ³ / ₈ "	7	12 ³ / ₄ "	1" x 36"	420
39'	15.5	10.4	9.0	8.7	5.7	3.6	1.8	N/A	N/A	9 ¹ / ₈ "	11	12 ³ / ₄ "	1" x 36"	359
39'	32.2	24.0	21.7	17.5	13.2	10.0	7.4	5.2	3.4	9 ¹ / ₈ "	7	12 ³ / ₄ "	1" x 36"	510

For Direct Burial EPA, consult factory

· CAUTION: If any additional stress such as flags, banners, streamers, ropes, or any other such items are added to poles, Visionaire Lighting's normal product guarantee is null and void. Additionally, adding such items to any pole may create severely hazardous conditions. Poles are calculated to withstand steady wind velocities of between 70 and 100 mph wind zones with a 1.3 gust factor depending on height, wall thickness, and width/ diameter. For an exact rating on a specific order, contact Visionaire directly.

· Certain geographic areas experience unique wind conditions that can cause wind-induced vibrations leading to a fatigue problem. There is currently no known method to predict destructive vibration of lighting poles. These conditions are unique and cannot be guaranteed against, and it is the responsibility of a site engineer to address them locally.

Base Plate Templates - Not To Scale



12" Steel Pole Base Template
1" x 36" Anchor Bolts

GFI Receptacle

Standard location is in hand hole.
Supplied with in-use cover.



USB Receptacle

Standard location is in hand hole.
Supplied with in-use cover.



Optional round base cover shown.

Eye Bolt

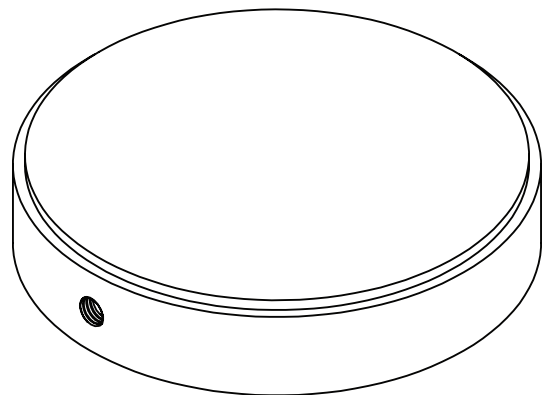
Specify orientation, height and location.
1 17/32" Max eye diameter. Standard
position 6" downwards from top, same
side as standard hand hole.



Optional round
base cover shown.

UL Certified

UL Certified option comes
supplied with aluminum
pole cap as standard.



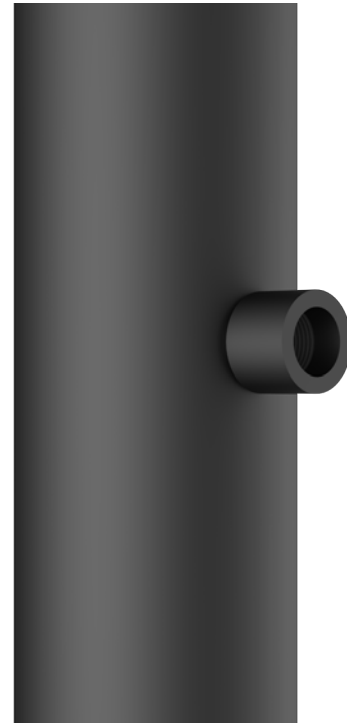
1/2" Coupling

Specify orientation, height and location

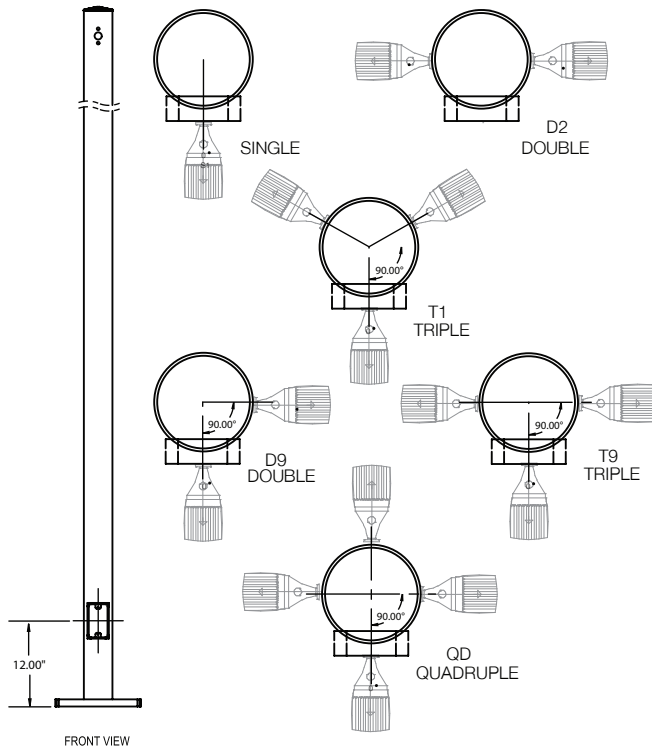


3/4" Coupling

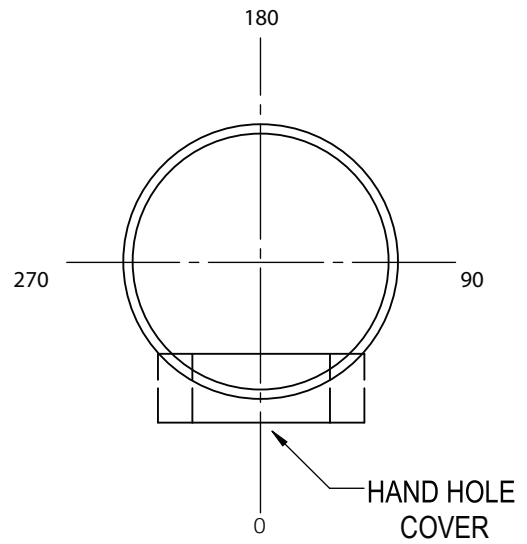
Specify orientation, height and location



Hand Hole And Fixture Orientation

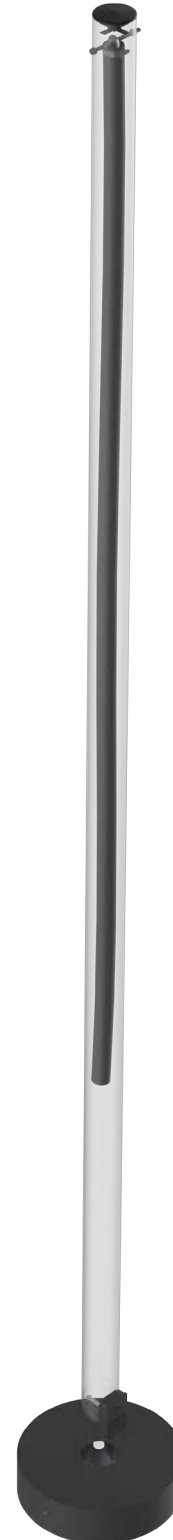


Hand Hole And Accesories Orientation



Internal Vibration Dampener

Internal Chain Vibration Damper can be installed in the field to mollify first mode pole vibration.



Optional round
base cover shown.

Rust-Inhibiting Internal Coating & Primer
Required for Direct Burial Poles



Standard Finish Colors

