

Malibu LED Specifications



Project Name:

Catalog Number:

Type:

The **Malibu LED** wall sconce is a low-profile, designer luminaire that provides excellent, uniform illumination with Dark-Sky approved, fullcutoff optics.

Each LED is covered with an injection-molded acrylic lens that provides a unique Type 3 distribution pattern.

The trapezoidal Malibu is of one-piece, precision die cast aluminum, constructed in a pleasing architectural design with decorative reveals. It features a one-piece, die cast aluminum, hinged door frame.

The **Malibu LED** features a Durable Quali-Guard® textured thermoset polyester powder coat, oven-baked at a temperature of 400°F to promote maximum adherence and finish hardness. Finish is guaranteed for five (5) years.

High lumen output VisionBar™ LEDs are utilized, offering a minimum estimated life of 60,000 hours in the desirable light color temperature of 4,000 Kelvin.

Ordering Information

MODEL	OPTICS	SOURCE	CURRENT	KELVIN	VOLTAGE	MOUNTING	FINISH	OPTIONS
MLB-2	T1 Type 1	24LC	3 350mA	3K 3000K	UNV 120-277V	WM Wall Mount	BZ Bronze	PC120 Button Type Photocell
	T2 Type 2	48LC	5 530mA	4K 4000K			WH White	PC208 Button Type Photocell
	T3 Type 3			5K 5000K			SL Silver Metallic	PC240 Button Type Photocell
								PC277 Button Type Photocell
								VRH Vandal Resistant Hardware Tamper Proof Latch Screw

Features & Specifications

Malibu

Housing

The trapezoidal Malibu is of one-piece, precision die cast aluminum, constructed in a pleasing architectural design with decorative reveals. It features a one-piece, heavy duty cast aluminum with internal heat sink for maximum heat dissipation, hinged door frame. A silicone gasket is used for weather tight operation.

Mounting

A Wall Mount bracket can be secured directly to a 4" recessed junction box.

Thermal Management

The Malibu series provides excellent thermal management by mounting the LEDs to the substantial heat sink within the housing. This enables the Luminaire to withstand higher ambient temperatures and driver currents without degrading LED life.

Optical System

- The highest lumen output LEDs are utilized. High-performance acrylic optics feature industry leading Type 1, 2, and 3 optical distributions. Acrylic optics are impact-resistant and rated to 94 percent translucence.
- L70 life of our LEDs is rated over 100,000 hours (for 530 mA).
- The optical system qualifies as IES full cutoff to restrict light trespass, glare and light pollution for neighborhood-friendly lighting.
- CRI values are 70.

Quali-Guard® Finish

- The finish is a Quali-Guard® textured, chemically pretreated through a multiple-stage washer, electrostatically applied, thermoset polyester powder coat finish, with a minimum of 3-5 millimeter thickness. Finish is oven-baked at 400° F to promote maximum adherence and finish hardness.
- All finishes are available in standard and custom colors.
- Finish is guaranteed for five (5) years.

Electrical Assembly

- The Malibu LED series is supplied with a choice of 350 or 530 mA high-performance LED drivers that accept 120v thru 480v, 50 Hz to 60 Hz, input.
- Power factor of 90%.
- Rated for -40°C operations.

Warranty

- Five (5) year Limited Warranty on electrical components.
 - Five (5) year on finish.
- For full warranty information, please visit visionairelighting.com.

Options

- Button Style Photocell
- Vandal Resistant Hardware

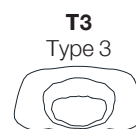
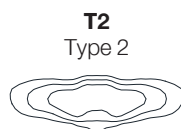
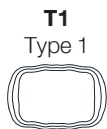
Listings

- Malibu is cUL listed, suitable for wet locations.
- IP65 Rated
- Powder Coated Tough™


**IP65
RATED**


Malibu LED Specifications

Photometric Optical Summary



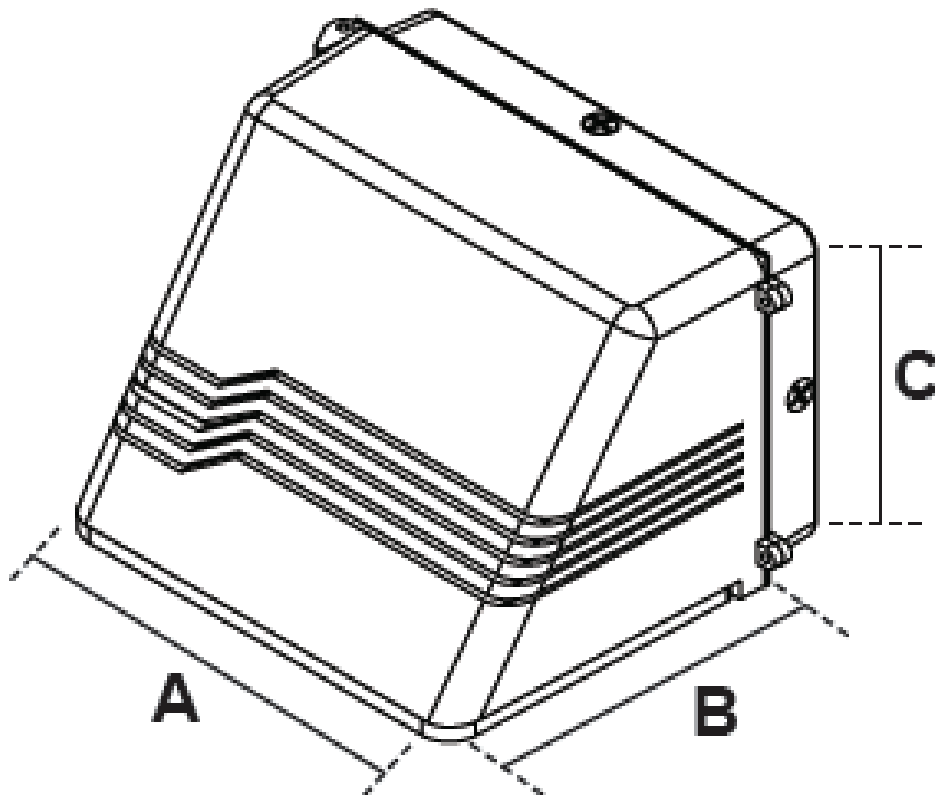
Dimensions

Width: MLB-2 17"

Depth: MLB-2 14"

Height: MLB-2 9"

Weight: MLB-2 29 lbs



Features & Specifications

Malibu

3K LUMEN DATA					
# of LEDs	Current (mA)	T1	T2	T3	Watts
24	350	2693	2467	2197	26
	530	3844	3522	3135	39
48	350	5329	4882	4347	53
	530	7543	6910	6153	78
4K LUMEN DATA					
24	350	2722	2492	2219	26
	530	3883	3557	3167	39
48	350	5382	4931	4391	53
	530	7619	6980	6215	78
5K LUMEN DATA					
24	350	2827	2591	2307	26
	530	4036	3698	3293	39
48	350	5595	5126	4565	53
	530	7920	7255	6461	78

3K LPW DATA					
# of LEDs	Current (mA)	T1	T2	T3	Watts
24	350	102	94	84	26
	530	99	91	81	39
48	350	101	93	83	53
	530	97	89	79	78
4K LPW DATA					
24	350	104	95	84	26
	530	100	92	82	39
48	350	102	94	84	53
	530	98	90	80	78
5K LPW DATA					
24	350	108	99	88	26
	530	104	95	85	39
48	350	106	98	87	53
	530	102	93	83	78

3K BUG DATA											
# of LEDs	Current (mA)	T1			T2			T3			Watts
		B	U	G	B	U	G	B	U	G	
24	350	1	0	1	1	0	1	1	0	1	26
	530	2	0	2	1	0	2	1	0	1	39
48	350	2	0	2	1	0	2	1	0	1	53
	530	3	0	3	2	0	2	1	0	1	78
4K BUG DATA											
24	350	1	0	1	1	0	1	1	0	1	26
	530	2	0	2	1	0	2	1	0	1	39
48	350	2	0	2	1	0	2	1	0	1	53
	530	3	0	3	2	0	2	1	0	1	78
5K BUG DATA											
24	350	1	0	1	1	0	1	1	0	1	26
	530	2	0	2	1	0	2	1	0	1	39
48	350	2	0	2	1	0	2	1	0	1	53
	530	3	0	3	2	0	3	1	0	2	78