

LUSSO ARRAY M-AM Serenity Lens LED Specifications



Project Name:

Catalog Number:

Type:

Contemporary design meets the new generation of LED green technology in this stunning luminaire, the **Lusso Array**. The Lusso Array series provides over fifty percent energy savings over traditional HID light sources; and offers excellent beam control and LED life beyond 100,000 hours for 1400 milliamp systems. The Lusso Array is offered in ten optical distributions.

The Lusso Array's fully-sealed housing features an exceptionally well-designed thermal management system that provides superior heat dissipation.

The Lusso Array fixture is built with cast aluminum.

The **Lusso Array** is the perfect compliment to any university campus, business park, or walkway project where contemporary, architectural design is desired.

Ordering Information

MODEL	OPTICS	LUMENS	KELVIN	VOLTAGE	MOUNTING	FINISH	SERENITY LENS	OPTIONS	OPTIONS
LSO-M	T1 Type 1	5L	3K 3000K	UNV 120-277V	AM Arm Mount	BK Black	LDL Lightly Diffused Lens	PCR-120 PCR-208 PCR-240 PCR-277 PCR-347 PCR-480 Photocell & Receptacle	VWC Visionaire Wireless Controls Consult Factory
	T2 Type 2	8L	4K 4000K	8 347V		SBK Smooth Black	HDL High Diffused Lens		RPP For 3-5" Ø Pole - Round Pole Plate Adaptor
	T3L Type 3 Long	11L	5K 5000K	5 480V		BZ Bronze			UPMA-S Universal Square Pole Mount Adaptor
	T4L Type 4 Long	14L				GP Graphite		PER 5PINPER 7PINPER 3, 5, or 7 Pin Photo Receptacle w/shorting cap 5 & 7 Requires Dimming Driver	UPMA-R Universal Round Pole Mount Adaptor
	T5LS Type 5 Long Square	17L				GY Grey			ROT-R Rotated Optics Right Side
						SL Silver Metallic			ROT-L Rotated Optics Left Side
						WH White		DIM 0-10v Dimming Driver	
						SWH Smooth White		WSC-8 Motion Sensor 8' Mounting Height	CLS Back Side Cutoff Louver Shield
						FG Forest Green		WSC-20 Motion Sensor 9-20' Mounting Height	
						VD Verdigris Green		WSC-40 Motion Sensor 21-40' Mounting Height	
						CC Custom Color			

*The WSC option will require (1) FSIR 100 remote for programming

Features & Specifications

LUSSO ARRAY M-AM Serenity Lens

Housing

The Lusso Arrays housing is constructed from durable, corrosion-resistant, cast aluminum. Silicone gasketing is provided for complete weather and insect protection.

Thermal Management

The Lusso Array provides excellent overall thermal management by maximizing the efficiency of the heat sink in the fixture. This enables the Lusso to withstand higher ambient temperatures and higher drive currents without degrading LED life.

Optical System - Serenity Lens

- Serenity Lens is offered in two different diffusion levels, high and lightly diffused.
- The highest lumen output Array LEDs are utilized. High performance acrylic optics feature industry-leading Type 1, 2, 3L, 4L, and 5LS optical distributions.
- The optical system qualifies as IES full cutoff to restrict light trespass, glare and light pollution for neighborhood-friendly lighting.
- L70 life of our LEDs is rated over 100,000 hours.
- CRI values are 70.

New LED Array Technology

- 4 Diodes now replace a single Led chip and operate at 25% of the drive current allowing for higher efficiency, less heat and longer life. (10 Year Warranty)
- More LEDs at a lower drive current provides a more comfortable visual effect.

Quali-Guard® Finish

- Fixture components are chemically pretreated through a multiple-stage washer, and finished with an electrostatically-applied, thermoset polyester powder coat textured paint with a 3 to 5 millimeters thickness. Finish is oven-baked at 400 °F for maximum adherence and finish hardness.
- Available in standard and custom colors.
- Finish is guaranteed for five (5) years.

Arm Mount

Lusso Array contractor-friendly mounting hardware.

Electrical Assembly

- The Lusso Array is supplied with a high-performance driver available in 700, 1050, 1200 and 1400 mA. The driver is integrally-located in the housing, and is operational from 120 V through 480 V, 50 Hz to 60 Hz input.
- Power factor is 90%.
- Rated for -40° to 50°C operation.
- 10 kV surge protector supplied as standard.

Warranty

- Ten (10) year Limited Warranty on electrical components.
 - Five (5) year on finish.
- For full warranty information, please visit visionairelighting.com.

Options

- Photocell & Receptacle
 - Photocell Receptacle with shorting cap
 - 0-10v Dimming Driver
 - WattStopper FSP-211 Motion Sensor
 - Wireless Control
 - Lightly Diffused Lens
 - High Diffused Lens
 - Round Pole Plate Adaptor
 - Cutoff Louver Shield
- Please consult factory for detailed custom options.

Listings

- cUL Listed
- IP65 Rated
- Powder Coated Tough™
- IDA Certification



DesignLights Consortium (DLC) qualified Product. Some configurations of this product family may not be DesignLights Consortium (DLC) listed, please refer to the DLC qualified products list to confirm listed configurations. <http://www.designlights.org/>
3000K must be selected for IDA certification.
Fixed mount must be selected for IDA dark sky certification.

ELECTRICAL LOAD (A)








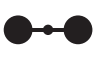



Ordering Nomenclature	System Watts	120	208	240	277	347	480
LSO-M-T5LS-5L-4K	52	0.43	0.25	0.22	0.19	0.15	0.11
LSO-M-T5LS-8L-4K	89	0.74	0.43	0.37	0.32	0.26	0.19
LSO-M-T5LS-11L-4K	124	1.03	0.60	0.52	0.45	0.36	0.26
LSO-M-T5LS-14L-4K	163	1.36	0.78	0.68	0.59	0.47	0.34
LSO-M-T5LS-17L-4K	202	1.68	0.97	0.84	0.73	0.58	0.42

Motion Sensor Default Setting

Type	High Mode	Low Mode	Time Delay	Cut off Delay	Sensitivity	Hold Off Setpoint	Photocell On/Off	Ramp Up Time	Fade Down Time
WSC - Default	10V	1V	5 Min	1 Hour	Max	Disabled	Disabled	Disabled	Disabled
WSC Range	0-10V	0-9.8V	5 - 30 Min	1 - 5 Hours	Low, Med, Max	1 - 250FC	1 - 250FC	1 - 60 Dec	1-60 Dec

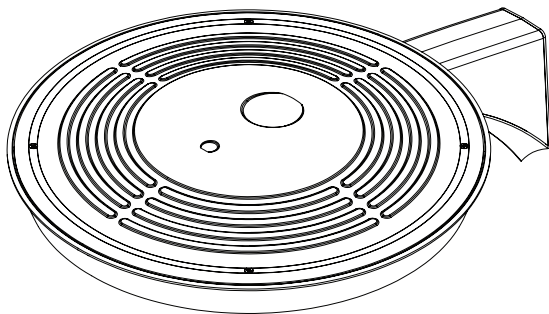
LUSSO ARRAY M-AM Serenity Lens LED Specifications

Photometric Optical Summary

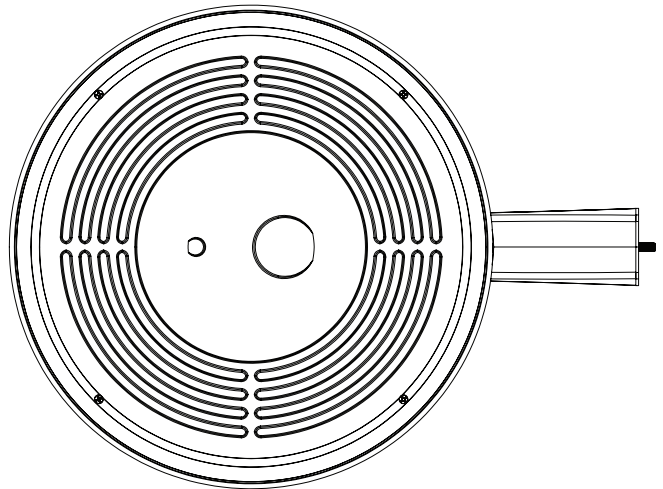
T1 Type 1	T2 Type 2	T3L Type 3 Long	T4L Type 4 Long	T5LS Type 5 Long Square		
						
EPA Data	 1.0	 1.6	 2.0	 2.5	 2.4	 2.5

Dimensions

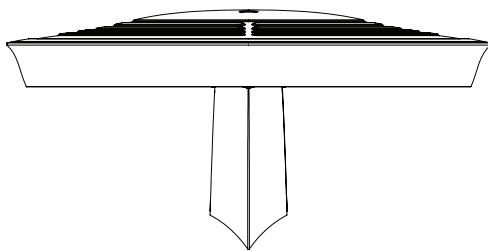
Width:	LSO-M 21"
Depth:	LSO-M 27.5"
Height:	LSO-M 10.25"
Weight:	LSO-M 29 lbs



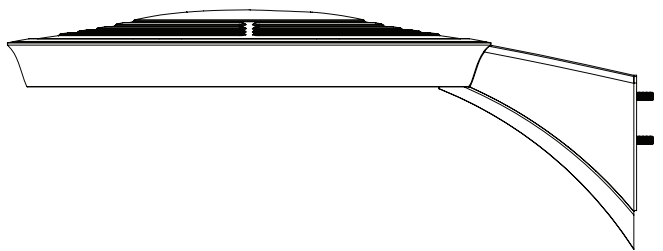
PERSPECTIVE VIEW



TOP VIEW



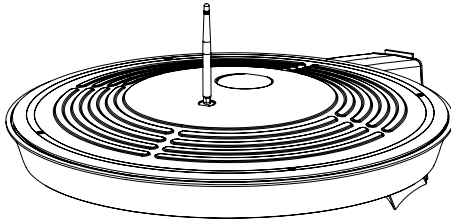
FRONT VIEW



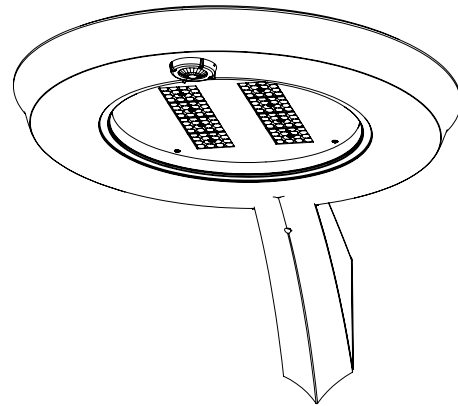
SIDE VIEW

LED Specifications **LUSSO ARRAY M-AM Serenity Lens**

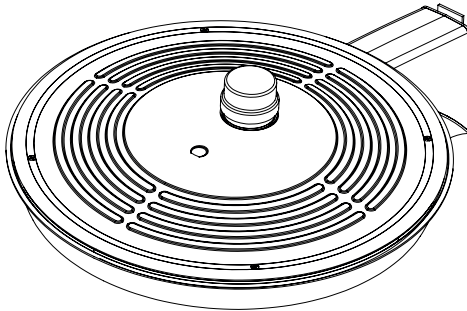
LSO-M-AM Options



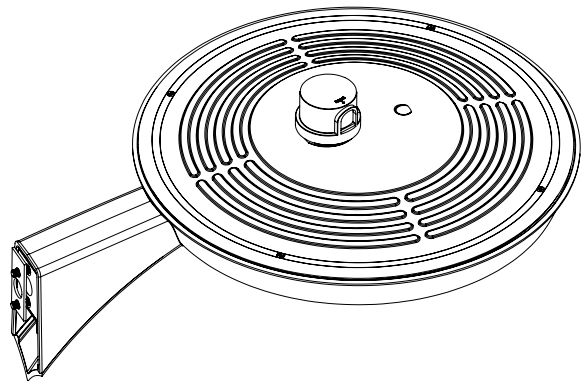
Visionaire Wireless Controls



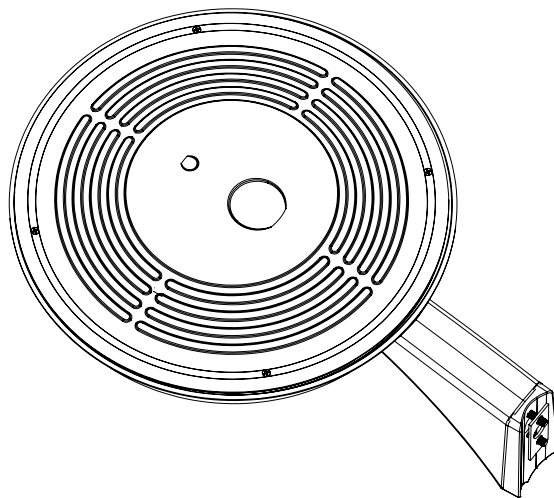
Motion Sensor



3, 5 or 7 Pin Photo Receptacle w/shorting cap



Photocell & Receptacle



Round Pole Plate Adaptor

LUSSO ARRAY M-AM Serenity Lens LED Specifications

LUSSO-M-AM-SL - 3K LUMEN DATA - LDL DIFFUSER						
Lumens	T1	T2	T3L	T4L	T5LS	Watts
5L	4990	5063	4587	4612	4887	52
8L	8156	8275	7497	7538	7987	89
11L	11031	11192	10140	10195	10802	124
14L	14095	14301	12957	13027	13803	163
17L	17108	17357	15726	15811	16753	202
LUSSO-M-AM-SL - 4K LUMEN DATA - LDL DIFFUSER						
5L	5178	5253	4759	4785	5070	52
8L	8462	8585	7778	7820	8286	89
11L	11444	11612	10520	10577	11207	124
14L	14624	14837	13443	13515	14321	163
17L	17749	18008	16316	16404	17381	202
LUSSO-M-AM-SL - 5K LUMEN DATA - LDL DIFFUSER						
5L	5289	5366	4862	4888	5179	52
8L	8643	8769	7945	7988	8464	89
11L	11690	11861	10746	10804	11448	124
14L	14937	15156	13731	13805	14628	163
17L	18130	18395	16666	16756	17755	202

LUSSO-M-AM-SL - 3K LUMEN DATA - HDL DIFFUSER						
Lumens	T1	T2	T3L	T4L	T5LS	Watts
5L	4859	4981	3827	4412	4699	52
8L	7941	8139	6254	7210	7679	89
11L	10740	11009	8459	9752	10386	124
14L	13724	14067	10809	12461	13271	163
17L	16657	17073	13119	15124	16108	202
LUSSO-M-AM-SL - 4K LUMEN DATA - HDL DIFFUSER						
5L	5041	5167	3971	4577	4875	52
8L	8239	8445	6489	7481	7967	89
11L	11143	11421	8776	10118	10775	124
14L	14238	14594	11214	12928	13769	163
17L	17281	17714	13611	15691	16712	202
LUSSO-M-AM-SL - 5K LUMEN DATA - HDL DIFFUSER						
5L	5149	5278	4056	4676	4980	52
8L	8416	8626	6628	7641	8138	89
11L	11382	11667	8965	10335	11007	124
14L	14544	14908	11455	13206	14064	163
17L	17652	18094	13903	16028	17070	202

LED Specifications **LUSSO ARRAY M-AM Serenity Lens**

LUSSO-M-AM-SL - 3K LPW DATA - LDL DIFFUSER						
Lumens	T1	T2	T3L	T4L	T5LS	Watts
5L	95	97	88	88	93	52
8L	91	93	84	84	89	89
11L	89	90	82	82	87	124
14L	87	88	80	80	85	163
17L	85	86	78	78	83	202
LUSSO-M-AM-SL - 4K LPW DATA - LDL DIFFUSER						
5L	99	100	91	91	97	52
8L	95	96	87	88	93	89
11L	92	93	85	85	90	124
14L	90	91	83	83	88	163
17L	88	89	81	81	86	202
LUSSO-M-AM-SL - 5K LPW DATA - LDL DIFFUSER						
5L	101	102	93	93	99	52
8L	97	98	89	89	95	89
11L	94	95	87	87	92	124
14L	92	93	84	85	90	163
17L	90	91	83	83	88	202

LUSSO-M-AM-SL - 3K LPW DATA - HDL DIFFUSER						
Lumens	T1	T2	T3L	T4L	T5LS	Watts
5L	93	95	73	84	90	52
8L	89	91	70	81	86	89
11L	86	89	68	79	84	124
14L	84	87	66	77	82	163
17L	83	85	65	75	80	202
LUSSO-M-AM-SL - 4K LPW DATA - HDL DIFFUSER						
5L	96	99	76	87	93	52
8L	92	94	73	84	89	89
11L	90	92	71	81	87	124
14L	88	90	69	80	85	163
17L	86	88	68	78	83	202
LUSSO-M-AM-SL - 5K LPW DATA - HDL DIFFUSER						
5L	98	101	77	89	95	52
8L	94	97	74	86	91	89
11L	92	94	72	83	89	124
14L	89	92	70	81	87	163
17L	88	90	69	80	85	202

LUSSO-M-AM-SL - 3K BUG DATA - LDL DIFFUSER																
Lumens	T1			T2			T3L			T4L			T5LS			Watts
	B	U	G	B	U	G	B	U	G	B	U	G	B	U	G	
5L	2	0	2	2	0	1	2	0	1	2	0	1	2	0	1	52
8L	2	0	2	2	0	2	2	0	2	2	0	2	3	0	1	89
11L	3	0	3	3	0	2	2	0	2	2	0	2	3	0	1	124
14L	3	0	3	3	0	2	3	0	3	3	0	3	3	0	2	163
17L	3	0	3	3	0	3	3	0	3	3	0	3	3	0	2	202
LUSSO-M-AM-SL - 4K BUG DATA - LDL DIFFUSER																
5L	2	0	2	2	0	1	2	0	1	2	0	1	2	0	1	52
8L	2	0	2	2	0	2	2	0	2	2	0	2	3	0	1	89
11L	3	0	3	3	0	2	3	0	2	2	0	2	3	0	1	124
14L	3	0	3	3	0	3	3	0	3	3	0	3	3	0	2	163
17L	3	0	3	3	0	3	3	0	3	3	0	3	3	0	2	202
LUSSO-M-AM-SL - 5K BUG DATA - LDL DIFFUSER																
5L	2	0	2	2	0	1	2	0	1	2	0	1	2	0	1	52
8L	2	0	2	2	0	2	2	0	2	2	0	2	3	0	1	89
11L	3	0	3	3	0	2	3	0	2	3	0	2	3	0	1	124
14L	3	0	3	3	0	3	3	0	3	3	0	3	3	0	2	163
17L	3	0	3	3	0	3	3	0	3	3	0	3	3	0	2	202

LUSSO-M-AM-SL - 3K BUG DATA - HDL DIFFUSER																
Lumens	T1			T2			T3L			T4L			T5LS			Watts
	B	U	G	B	U	G	B	U	G	B	U	G	B	U	G	
5L	2	0	1	2	0	1	1	0	1	2	0	1	2	0	1	52
8L	2	0	1	2	0	2	2	0	1	2	0	2	2	0	1	89
11L	3	0	1	3	0	2	2	0	2	3	0	2	3	0	1	124
14L	3	0	1	3	0	2	3	0	2	3	0	2	3	0	1	163
17L	3	0	1	3	0	3	3	0	2	3	0	3	3	0	1	202
LUSSO-M-AM-SL - 4K BUG DATA - HDL DIFFUSER																
5L	2	0	1	2	0	1	1	0	1	2	0	1	2	0	1	52
8L	2	0	1	2	0	2	2	0	1	2	0	2	2	0	1	89
11L	3	0	1	3	0	2	2	0	2	3	0	2	3	0	1	124
14L	3	0	1	3	0	2	3	0	2	3	0	2	3	0	1	163
17L	3	0	1	3	0	3	3	0	2	3	0	3	3	0	1	202
LUSSO-M-AM-SL - 5K BUG DATA - HDL DIFFUSER																
5L	2	0	1	2	0	1	1	0	1	2	0	1	2	0	1	52
8L	2	0	1	3	0	2	2	0	1	3	0	2	2	0	1	89
11L	3	0	1	3	0	2	3	0	2	3	0	2	3	0	1	124
14L	3	0	1	3	0	2	3	0	2	3	0	2	3	0	1	163
17L	3	0	1	3	0	3	3	0	2	3	0	3	3	0	1	202

LUSSO ARRAY M-AM Serenity Lens LED Specifications

LSO-M-HDL-CLS - 3K LUMEN DATA									LSO-M-LDL-CLS - 3K LUMEN DATA								
LEDs	Lumens	Current (mA)	T1	T2	T3L	T4L	T5LS	Watts	LEDs	Lumens	Current (mA)	T1	T2	T3L	T4L	T5LS	Watts
48AR	5L	380	3817	3892	3486	3645	3778	52	48AR	5L	380	73	74	67	70	72	52
48AR	8L	640	6238	6360	5697	5957	6175	89	48AR	8L	640	70	71	64	67	69	89
48AR	11L	880	8438	8602	7706	8057	8351	124	48AR	11L	880	68	69	62	65	67	124
48AR	14L	1140	10782	10992	9846	10295	10671	163	48AR	14L	1140	66	68	61	63	66	163
48AR	17L	1400	13086	13342	11951	12495	12952	202	48AR	17L	1400	65	66	59	62	64	202
LSO-M-HDL-CLS - 4K LUMEN DATA									LSO-M-LDL-CLS - 4K LUMEN DATA								
LEDs	Lumens	Current (mA)	T1	T2	T3L	T4L	T5LS	Watts	LEDs	Lumens	Current (mA)	T1	T2	T3L	T4L	T5LS	Watts
48AR	5L	380	3960	4038	3617	3782	3920	52	48AR	5L	380	76	77	69	72	75	52
48AR	8L	640	6472	6599	5911	6180	6406	89	48AR	8L	640	72	74	66	69	72	89
48AR	11L	880	8754	8925	7995	8359	8664	124	48AR	11L	880	70	72	64	67	70	124
48AR	14L	1140	11186	11404	10215	10681	11071	163	48AR	14L	1140	69	70	63	66	68	163
48AR	17L	1400	13577	13842	12399	12964	13438	202	48AR	17L	1400	67	69	62	64	67	202
LSO-M-HDL-CLS - 5K LUMEN DATA									LSO-M-LDL-CLS - 5K LUMEN DATA								
LEDs	Lumens	Current (mA)	T1	T2	T3L	T4L	T5LS	Watts	LEDs	Lumens	Current (mA)	T1	T2	T3L	T4L	T5LS	Watts
48AR	5L	380	4045	4125	3695	3863	4004	52	48AR	5L	380	77	79	71	74	76	52
48AR	8L	640	6611	6741	6038	6313	6544	89	48AR	8L	640	74	75	68	71	73	89
48AR	11L	880	8942	9117	8166	8538	8850	124	48AR	11L	880	72	73	66	69	71	124
48AR	14L	1140	11426	11649	10435	10910	11309	163	48AR	14L	1140	70	72	64	67	70	163
48AR	17L	1400	13868	14139	12665	13242	13726	202	48AR	17L	1400	69	70	63	66	68	202
LSO-M-LDL-CLS - 3K LUMEN PER WATT DATA									LSO-M-LDL-CLS - 3K LUMEN PER WATT DATA								
LEDs	Lumens	Current (mA)	T1	T2	T3L	T4L	T5LS	Watts	LEDs	Lumens	Current (mA)	T1	T2	T3L	T4L	T5LS	Watts
48AR	5L	380	4141	4400	3832	4022	3898	52	48AR	5L	380	79	84	73	77	74	52
48AR	8L	640	6768	7191	6262	6572	6371	89	48AR	8L	640	76	80	70	74	71	89
48AR	11L	880	9153	9726	8470	8889	8616	124	48AR	11L	880	74	78	68	72	69	124
48AR	14L	1140	11696	12427	10823	11358	11010	163	48AR	14L	1140	72	76	67	70	68	163
48AR	17L	1400	14196	15084	13136	13786	13363	202	48AR	17L	1400	70	75	65	68	66	202
LSO-M-LDL-CLS - 4K LUMEN PER WATT DATA									LSO-M-LDL-CLS - 4K LUMEN PER WATT DATA								
LEDs	Lumens	Current (mA)	T1	T2	T3L	T4L	T5LS	Watts	LEDs	Lumens	Current (mA)	T1	T2	T3L	T4L	T5LS	Watts
48AR	5L	380	4296	4565	3976	4172	4044	52	48AR	5L	380	82	87	76	80	77	52
48AR	8L	640	7021	7460	6497	6819	6610	89	48AR	8L	640	79	83	73	76	74	89
48AR	11L	880	9496	10090	8787	9222	8940	124	48AR	11L	880	76	81	71	74	72	124
48AR	14L	1140	12134	12893	11229	11784	11423	163	48AR	14L	1140	75	79	69	72	70	163
48AR	17L	1400	14728	15649	13628	14303	13864	202	48AR	17L	1400	73	78	68	71	69	202
LSO-M-LDL-CLS - 5K LUMEN PER WATT DATA									LSO-M-LDL-CLS - 5K LUMEN PER WATT DATA								
LEDs	Lumens	Current (mA)	T1	T2	T3L	T4L	T5LS	Watts	LEDs	Lumens	Current (mA)	T1	T2	T3L	T4L	T5LS	Watts
48AR	5L	380	4389	4663	4061	4262	4131	52	48AR	5L	380	84	89	78	81	79	52
48AR	8L	640	7172	7621	6637	6965	6752	89	48AR	8L	640	80	85	74	78	76	89
48AR	11L	880	9700	10307	8976	9420	9131	124	48AR	11L	880	78	83	72	76	74	124
48AR	14L	1140	12395	13170	11470	12037	11668	163	48AR	14L	1140	76	81	71	74	72	163
48AR	17L	1400	15044	15985	13921	14610	14162	202	48AR	17L	1400	75	79	69	72	70	202

LED Specifications **LUSSO ARRAY M-AM Serenity Lens**

LSO-M-HDL-CLS - 3K BUG DATA													LSO-M-LDL-CLS - 3K BUG DATA																								
LEDs	Lumens	Current (mA)	T1			T2			T3L			T4L			T5LS			Watts	LEDs	Lumens	Current (mA)	T1			T2			T3L			T4L			T5LS			Watts
			B	U	G	B	U	G	B	U	G	B	U	G	B	U	G					B	U	G	B	U	G	B	U	G	B	U	G	B	U	G	
48AR	5L	380	1	0	1	1	0	1	1	0	1	1	0	1	1	0	1	52	48AR	5L	380	1	0	1	1	0	1	1	0	1	1	0	1	1	0	1	52
48AR	8L	640	2	0	2	2	0	2	2	0	2	2	0	2	2	0	2	89	48AR	8L	640	2	0	2	2	0	2	2	0	2	2	0	2	2	0	2	89
48AR	11L	880	2	0	2	2	0	2	2	0	2	2	0	2	2	0	2	124	48AR	11L	880	2	0	2	2	0	2	2	0	2	2	0	2	2	0	2	124
48AR	14L	1140	3	0	3	3	0	3	3	0	3	3	0	3	3	0	3	163	48AR	14L	1140	2	0	3	2	0	3	2	0	3	2	0	3	2	0	3	163
48AR	17L	1400	3	0	3	3	0	3	3	0	3	3	0	3	3	0	3	202	48AR	17L	1400	3	0	3	3	0	3	3	0	3	3	0	3	3	0	3	202
LSO-M-HDL-CLS - 4K BUG DATA													LSO-M-LDL-CLS - 4K BUG DATA																								
LEDs	Lumens	Current (mA)	T1			T2			T3L			T4L			T5LS			Watts	LEDs	Lumens	Current (mA)	T1			T2			T3L			T4L			T5LS			Watts
			B	U	G	B	U	G	B	U	G	B	U	G	B	U	G					B	U	G	B	U	G	B	U	G	B	U	G	B	U	G	
48AR	5L	380	1	0	1	1	0	1	1	0	1	1	0	1	1	0	1	52	48AR	5L	380	1	0	1	1	0	1	1	0	1	1	0	1	1	0	1	52
48AR	8L	640	2	0	2	2	0	2	2	0	2	2	0	2	2	0	2	89	48AR	8L	640	2	0	2	2	0	2	2	0	2	2	0	2	2	0	2	89
48AR	11L	880	2	0	2	2	0	2	2	0	2	2	0	2	2	0	2	124	48AR	11L	880	2	0	2	2	0	2	2	0	2	2	0	2	2	0	2	124
48AR	14L	1140	3	0	3	3	0	3	3	0	3	3	0	3	3	0	3	163	48AR	14L	1140	2	0	3	2	0	3	2	0	3	2	0	3	2	0	3	163
48AR	17L	1400	3	0	3	3	0	3	3	0	3	3	0	3	3	0	3	202	48AR	17L	1400	3	0	3	3	0	3	3	0	3	3	0	3	3	0	3	202
LSO-M-HDL-CLS - 5K BUG DATA													LSO-M-LDL-CLS - 5K BUG DATA																								
LEDs	Lumens	Current (mA)	T1			T2			T3L			T4L			T5LS			Watts	LEDs	Lumens	Current (mA)	T1			T2			T3L			T4L			T5LS			Watts
			B	U	G	B	U	G	B	U	G	B	U	G	B	U	G					B	U	G	B	U	G	B	U	G	B	U	G	B	U	G	
48AR	5L	380	1	0	1	1	0	1	1	0	1	1	0	1	1	0	1	52	48AR	5L	380	1	0	1	1	0	1	1	0	1	1	0	1	1	0	1	52
48AR	8L	640	2	0	2	2	0	2	2	0	2	2	0	2	2	0	2	89	48AR	8L	640	2	0	2	2	0	2	2	0	2	2	0	2	2	0	2	89
48AR	11L	880	2	0	2	2	0	2	2	0	2	2	0	2	2	0	2	124	48AR	11L	880	2	0	2	2	0	2	2	0	2	2	0	2	2	0	2	124
48AR	14L	1140	3	0	3	3	0	3	3	0	3	3	0	3	3	0	3	163	48AR	14L	1140	3	0	3	2	0	3	2	0	3	2	0	3	2	0	3	163
48AR	17L	1400	3	0	3	3	0	3	3	0	3	3	0	3	3	0	3	202	48AR	17L	1400	3	0	3	3	0	3	3	0	3	3	0	3	3	0	3	202