

Apex LED Specifications



Project Name:

Catalog Number:

Type:

The new **Apex** LED Series offers clean, functional styling that blends with a broad range of architecture. The cast aluminum housing with integrated pole top fitter anchors aluminum mounting rods to support the cast aluminum shade that houses the LED light engine. The LED's performance and the driver's life are maximized by enclosing them in the two separate compartments.

The LED light assemblies come with 64 or 128 LED's. Five optical distribution patterns are available. Choose between 3000, 4000 or 5000 Kelvin temperature of the LED's. A durable polyester powder coat finish is guaranteed for five years; and is available in standard or custom colors.

The **Apex** LED series is an exceptional choice for college campus's, architectural buildings, and many other architectural projects that want to use sustainable LED lighting.

Ordering Information

MODEL	OPTICS	SOURCE	CURRENT	KELVIN	VOLTAGE	MOUNTING	FINISH	OPTIONS
APX-1	T2 Type 2	64LC 128LC	1 175mA	3K 3000K	UNV 120-277V	PT Post Top *Slips over 4" OD tenon X 4.5" tall as standard	BZ Bronze	PC-120 PC-208 PC-240 PC-277 Button Type Photocell WSC-8 Motion Sensor 8' Mounting Height WSC-20 Motion Sensor 9-20' Mounting Height WSC-40 Motion Sensor 21-40' Mounting Height This option will require (1) FSIR 100 remote for programming
	T3 Type 3		3 350mA	4K 4000K				
	T4 Type 4	5 530mA	5K 5000K	5 480V	AM Arm Mount * Works only with arm mount VA130, VA131, VA132	SBK Smooth Black		
	T5 Type 5	WH White						
	T5W Type 5 Wide	SWH Smooth White						
							GP Graphite	
							GY Grey	
							SL Silver Metallic	
							CC Custom Color	DIM 0-10v Dimming Driver
								VWC Visionaire Wireless Controls *Consult Factory

Features & Specifications

Apex

Housing

The Apex's housing is constructed from Precision-formed, corrosion-resistant, die cast aluminum housing and two-piece door assembly with tool-less access.

Thermal Management

· The Apex provides excellent overall thermal management by maximizing the efficiency of the heat sink in the fixture. This enables the Apex to withstand higher ambient temperatures and higher drive currents without degrading LED life.

Optical System

The highest lumen output LEDs are utilized. High-performance acrylic optics feature industry leading Type II, III, IV, V and V-W optical distributions. Acrylic optics are impact-resistant and rated to 94 percent translucence.

The L70 test determines the point in an LED's life when it reaches 70 percent of its initial output. The Apex series LED's have been determined to last 100,000+ hours in 40° C environments when driven at 350 mA.

Quali-Guard® Finish

Fixture components are chemically pretreated through a multiple-stage washer, and finished with an electrostatically-applied, thermoset polyester powder coat textured paint with a 3 to 5 mils thickness. Finish is oven-baked at 400 °F for maximum adherence and finish hardness. Available in standard and custom colors. Finish is guaranteed for five (5) years.

Post Top Mount

· The Apex's contractor-friendly mounting hardware slips over 3" or 4" O.D. x 4" tall tenon utilizing stainless steel hardware.
 · Round Internal Tenon Adaptors (RITA) are recommended for a smooth-looking connection. Standard for 4" poles, custom size required for 3" or 5" poles.

Electrical Assembly

· The Apex is supplied with a high-performance driver available in 175mA, 350mA, or 530mA. The driver is integrally-located in the housing, and is operational from 120 V through 480 V, 50 Hz to 60 Hz input. Power factor is 90%.
 · Rated for -40o to 50°C operation.
 · 10 kV surge protector supplied as standard.

Warranty

· Five (5) year Limited Warranty on entire system, including finish. For full warranty information, please visit www.visionairelighting.com.

Options

· Button type photocell
 · 0-10v Dimming Driver
 · WattStopper FSP-211
 · Motion Sensor
 · Wireless Control
 Please consult factory for detailed custom options.

Listings

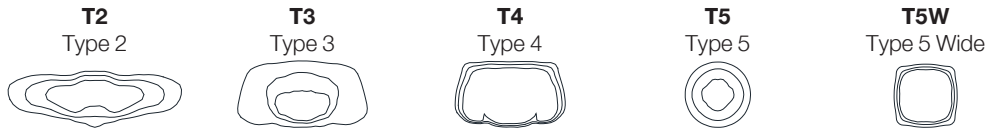
· Apex is cUL listed
 · IDA Certification
 · IP66 Rated
 · LM79 and LM80
 · Powder Coated Tough™



Motion Sensor Default Setting									
Type	High Mode	Low Mode	Time Delay	Cut off Delay	Sensitivity	Hold Off Set Point	Photocell On/Off	Ramp up Time	Fade Down Time
WSC- Default	10V	1V	5 Min	1 Hour	Max	Disabled	Disabled	Disabled	Disabled
WSC Range	0-10V	0-9.8V	5-30 Min	1-5 Hours	Low, Med, Max	1-250FC	1-250FC	1-60 Dec	1-60 Dec

Apex LED Specifications

Photometric Optical Summary



EPA Data

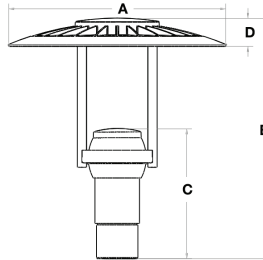


Dimensions

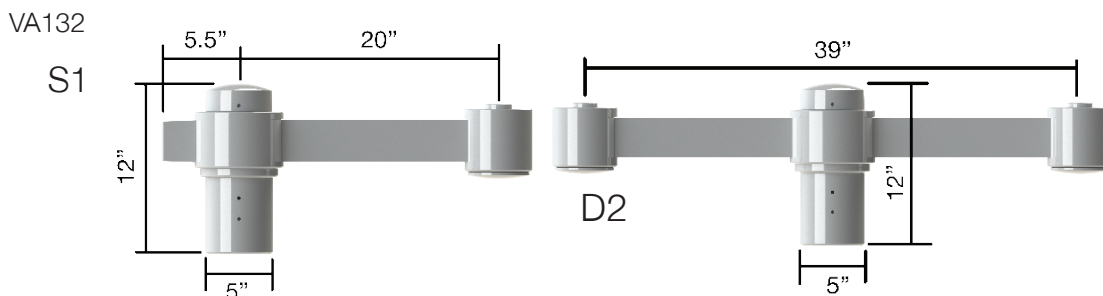
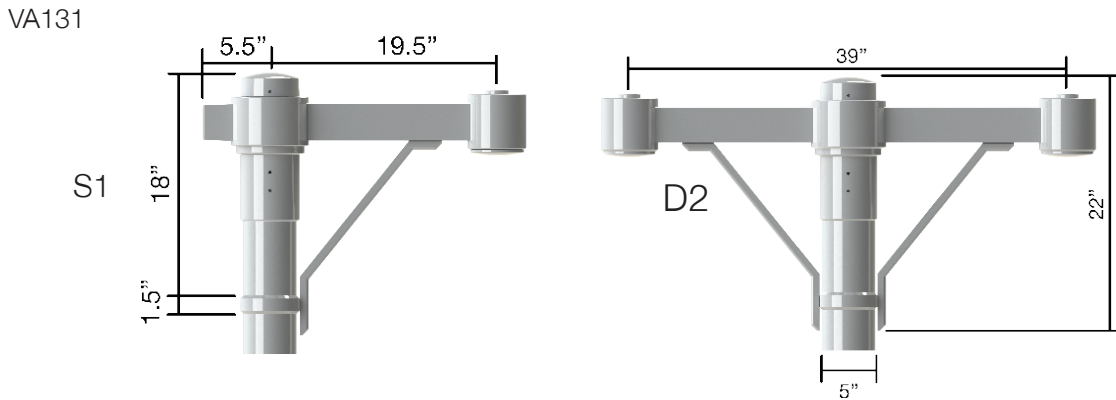
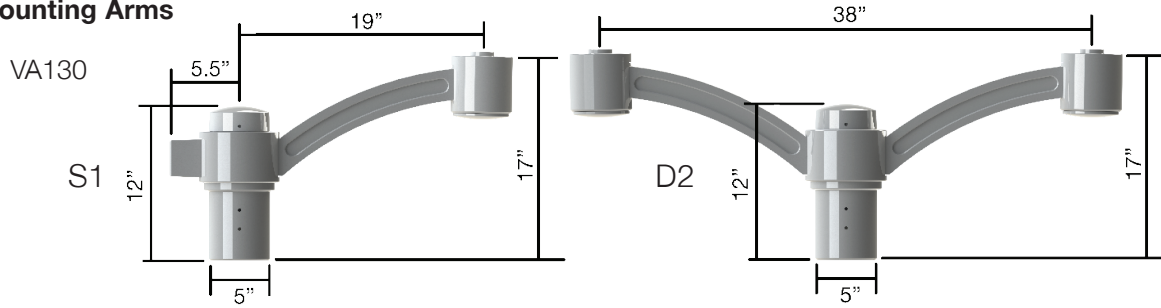
Width: APX-1 26" (A)

Height: APX-1 29" (B) / 16" (C) / 4" (D)

Weight: 33 LBS



Mounting Arms



Apex LED - 3K Lumens Chart							
# LEDs	Current	Type 2	Type 3	Type 4	Type 5	Type 5W	Watts
64	175	4514	4052	4309	4193	4155	35
	350	9027	8104	8617	8385	8310	70
	530	12475	11199	11907	11587	11483	107
128	175	8867	7961	8464	7805	8163	70
	350	17734	15921	16928	15609	16325	140
	530	24868	22325	23738	21889	22892	212
Apex LED - 4K Lumens Chart							
# LEDs	Current	Type 2	Type 3	Type 4	Type 5	Type 5W	Watts
64	175	4751	4265	4535	4414	4374	35
	350	9502	8530	9070	8827	8747	70
	530	13131	11788	12534	12197	12087	107
128	175	9334	8379	8910	8216	8592	70
	350	18668	16758	17819	16431	17184	140
	530	26177	23500	24987	23042	24097	212
Apex LED - 5K Lumens Chart							
# LEDs	Current	Type 2	Type 3	Type 4	Type 5	Type 5W	Watts
64	175	4525	4062	4319	4203	4166	35
	350	9050	8124	8638	8406	8331	70
	530	12506	11227	11937	11616	11512	107
128	175	8890	7980	8486	7825	8183	70
	350	17779	15960	16971	15649	16366	140
	530	24931	22381	23797	21944	22949	212
Apex LED - 3K Lumens per Watt Chart							
# LEDs	Current	Type 2	Type 3	Type 4	Type 5	Type 5W	Watts
64	175	65	58	62	60	60	35
	350	129	116	123	120	119	70
	530	117	105	111	108	107	107
128	175	64	57	61	56	59	70
	350	127	114	121	111	117	140
	530	117	105	112	103	108	212
Apex LED - 4K Lumens per Watt Chart							
# LEDs	Current	Type 2	Type 3	Type 4	Type 5	Type 5W	Watts
64	175	68	61	65	63	63	35
	350	136	122	130	126	125	70
	530	123	110	117	114	113	107
128	175	67	60	64	59	62	70
	350	133	120	127	117	123	140
	530	123	111	118	109	114	212
Apex LED - 5K Lumens per Watt Chart							
# LEDs	Current	Type 2	Type 3	Type 4	Type 5	Type 5W	Watts
64	175	65	58	62	69	60	35
	350	129	116	123	120	119	70
	530	117	105	112	109	108	107
128	175	64	57	61	56	59	70
	350	127	114	121	112	117	140
	530	118	106	112	104	108	212

Apex LED - 3K BUG Chart																	
# LEDs	Current	Type 2			Type 3			Type 4			Type 5			Watts			
		B	U	G	B	U	G	B	U	G	B	U	G				
64	175	1	0	2	1	0	2	2	0	2	3	0	2	3	0	2	35
	350	1	0	2	1	0	2	2	0	2	3	0	2	3	0	2	70
	530	2	0	2	2	0	2	2	0	2	4	0	2	4	0	2	107
128	175	2	0	3	2	0	3	3	0	3	4	0	2	4	0	2	70
	350	2	0	3	2	0	3	3	0	3	4	0	2	4	0	2	140
	530	3	0	3	3	0	4	3	0	4	4	0	2	5	0	3	212
Apex LED - 4K BUG Chart																	
# LEDs	Current	Type 2			Type 3			Type 4			Type 5			Watts			
		B	U	G	B	U	G	B	U	G	B	U	G				
64	175	1	0	2	1	0	2	2	0	2	3	0	2	4	0	2	35
	350	1	0	2	1	0	2	2	0	2	3	0	2	4	0	2	70
	530	2	0	2	2	0	2	2	0	2	4	0	2	4	0	2	107
128	175	2	0	3	2	0	3	3	0	3	4	0	2	5	0	3	70
	350	2	0	3	2	0	3	3	0	3	4	0	2	5	0	3	140
	530	3	0	3	3	0	4	3	0	4	5	0	3	5	0	3	212
Apex LED - 5K BUG Chart																	
# LEDs	Current	Type 2			Type 3			Type 4			Type 5			Watts			
		B	U	G	B	U	G	B	U	G	B	U	G				
64	175	1	0	2	1	0	2	2	0	2	3	0	2	3	0	2	35
	350	1	0	2	1	0	2	2	0	2	3	0	2	3	0	2	70
	530	2	0	2	2	0	2	2	0	2	4	0	2	4	0	2	107
128	175	2	0	3	2	0	3	3	0	3	4	0	2	4	0	2	70
	350	2	0	3	2	0	3	3	0	3	4	0	2	4	0	2	140
	530	3	0	3	3	0	4	3	0	4	4	0	2	5	0	3	212