

# CAL ARIA ARRAY LED Specifications



Project Name:

Catalog Number:

Type:

Beauty meets performance in this feature-rich and highly versatile California Aria Array luminaire series. The California Aria Array LED offers excellent control and an exceptionally long life. Our high-efficiency light engines house our latest LEDs for a CRI of 70, and increased energy savings. Available in 3,000, 4,000 or 5,000 Kelvin.

The California Aria Arrays' fully-sealed housing features an exceptionally well-designed thermal management system that provides superior heat dissipation.

The California Aria Array is a strong, die cast aluminum fixture, manufactured in five architecturally pleasing housing styles, with mix and match finials and a variety of finishes to choose from. Tool-less entry makes this luminaire's maintenance a breeze.

This post top luminaire is an IES full cutoff fixture to restrict light trespass, glare and light pollution for neighborhood-friendly outdoor lighting that is especially desirable in any pedestrian locale.

The California Aria Array is a perfect complement to any shopping center, park, walkway or boardwalk environment.

## Ordering Information

MODEL	OPTICS	LUMENS	KELVIN	VOLTAGE	MOUNTING	FINISH	OPTIONS	OPTIONS
<b>CAL-1-L</b>	<b>T1</b> Type 1	<b>6L</b>	<b>3K</b> 3000K	<b>UNV</b> *120-277V	<b>PT</b> Post Top Slips over 3"ØD tenon x 4" tall	<b>BZ</b> Bronze	<b>PC-120</b> Button Type Photocell	<b>FIN1</b>
<b>CAL-3-L</b>	<b>T2</b> Type 2	<b>10L</b>	<b>4K</b> 4000K	<b>8</b> 347V	<b>WM</b> Wall Mount	<b>BK</b> Black	<b>PC-208</b> Button Type Photocell	<b>FIN2</b>
<b>CAL-5-L</b>	<b>T3</b> Type 3	<b>13L</b>	<b>5K</b> 5000K	<b>5</b> 480V	<b>WM</b> Wall Mount	<b>SBK</b> Smooth Black	<b>PC-240</b> Button Type Photocell	<b>FIN3</b>
	<b>T4</b> Type 4	<b>15L</b>			*VA Wall Mount Arm Required	<b>WH</b> White	<b>PC-277</b> Button Type Photocell	<b>FIN4</b>
	<b>T4A</b> Type 4 Automotive	<b>18L</b>				<b>SWH</b> Smooth White	<b>DIM</b> 0-10v Dimming Driver *No Controls	
	<b>T5SR</b> Type 5 Short Round	<b>20L</b>				<b>GP</b> Graphite	<b>WSC-8</b> Motion Sensor 8' Mounting Height	
	<b>T5LR</b> Type 5 Long Round	<b>25L</b>				<b>GY</b> Grey	<b>WSC-20</b> Motion Sensor 9-20' Mounting Height	
	<b>T5LS</b> Type Long Square					<b>SL</b> Silver Metallic	<b>WSC-40</b> Motion Sensor 21-40' Mounting Height	
						<b>CC</b> Custom Color	*WSC options will require (1) FSIR 100 remote for programming	

# Features & Specifications

## CAL ARIA ARRAY

### Housing

Die cast aluminum fixture housing is 20" diameter with integral tool-less push latch sealing mechanism. Housing features a choice of five heavy-duty, spun aluminum tops.

### Thermal Management

The California Aria Array provides excellent overall thermal management by maximizing the efficiency of the heat sink in the fixture. This enables the California Aria Array to withstand higher ambient temperatures and higher drive currents without degrading LED life.

### Door Frame

- Die cast aluminum door frame incorporates one-piece silicone channel gasket to seal the housing completely. The tool-less push latch allows the housing to hinge upwards for access to the LEDs and is supported with a hinge and latch mechanism.
- Silicone gasket for complete weather and insect protection.

### Optical System

- The highest lumen output LED Arrays are utilized. The L70 test determines the point in an LED's life when it reaches 70 percent of its initial output LEDs have been determined to last a minimum of 100,000 hours in 25° C environments when driven at 350 mA. CRI values are 70.
- IES distributions Types I, II, III, IV and V are standard. The optical system qualifies as IES full cutoff to restrict light trespass, glare and light pollution for neighborhood-friendly lighting.

### New LED Array Technology

- 4 Diodes now replace a single Led chip and operate at 25% of the drive current allowing for higher efficiency, less heat and longer life. (10 Year Warranty)
- More LEDs at a lower drive current provides a more comfortable visual effect.

### Quali-Guard® Finish

- Fixture components are chemically pretreated through a multiple stage washer and finished with an electrostatically applied, thermoset polyester powder coat textured paint with a 3 to 5 mils thickness. Finish is oven baked at 400 °F for maximum adherence and finish hardness.
- Available in standard and custom colors.
- Finish is guaranteed for five (5) years.

### Post Top Mount

The California Aria Arrays' contractor-friendly mounting hardware is concealed inside the post-top fitter; which slips over 3" O.D. x 4" tall tenon with a special threaded mounting plate and is secured by a high-strength bolt.

### Electrical Assembly

- The California Aria LED Array series is supplied with a high-performance LED driver, that accepts 120 V through 480 V, 50 Hz to 60 Hz input.
- Power factor is 90%.
- Rated for -40 oF operation.
- 10 kV surge protector supplied as standard.

### Warranty

Ten (10) year Limited Warranty on electrical components, Five (5) year on finish. For full warranty information, please visit [visionairelighting.com](http://visionairelighting.com).

### Options

- Finials
- Button type photocell
- Cutoff louver system
- 0-10 V dimming driver
- Wireless Controls

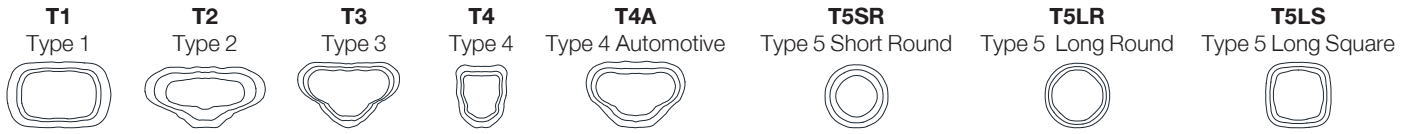
### Listings

- California Aria Array is cUL listed, suitable for wet locations.
- LM79 and LM80.
- Powder Coated Tough™.
- RoHS compliant.
- IP-65.



# CAL ARIA ARRAY LED Specifications

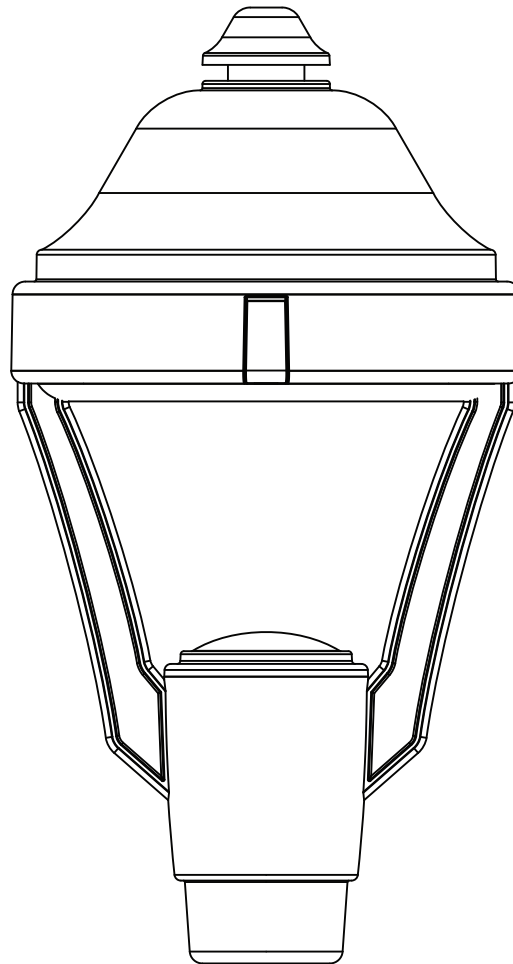
## Photometric Optical Summary



<b>EPA Data</b>	●	●	●
	<b>CAL-1-L</b> 2.3	<b>CAL-3-L</b> 2.2	<b>CAL-5-L</b> 1.9

## Dimensions

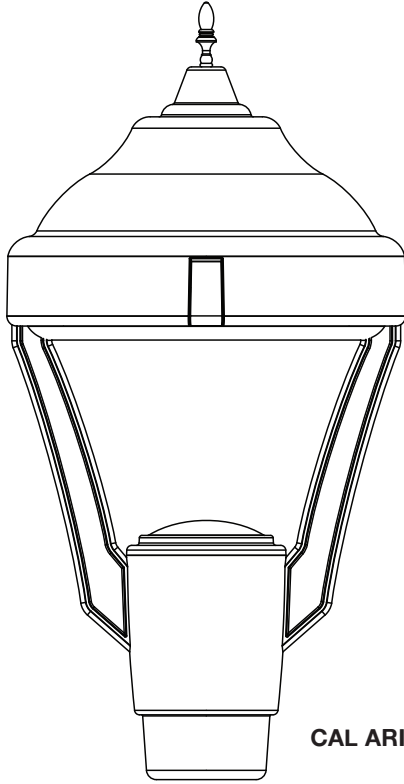
CAL ARIA 1	CAL ARIA 3	CAL ARIA 5
<b>Width:</b> CAL-1-L 20"	<b>Width:</b> CAL-3-L 20"	<b>Width:</b> CAL-5-L 20"
<b>Height:</b> CAL-1-L 37.5"	<b>Height:</b> CAL-3-L 35.75"	<b>Height:</b> CAL-5-L 29.75"
<b>Weight:</b> 41 LBS	<b>Weight:</b> 39 LBS	<b>Weight:</b> 38 LBS



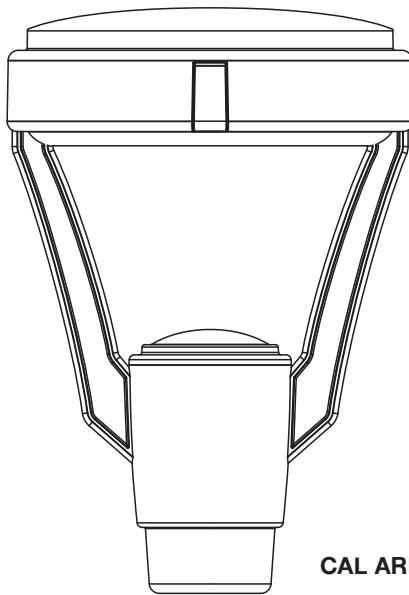
CAL ARIA 1

LED Specifications **CAL ARIA ARRAY**

---



**CAL ARIA 3**



**CAL ARIA 5**

# CAL ARIA ARRAY LED Specifications

---



CAL-1-L  
NO FINIAL



CAL-3-L  
FIN1



CAL-5-L  
NO FINIAL



No. 1  
(FIN1)



No. 2  
(FIN2)



No. 3  
(FIN3)



No. 4  
(FIN4)

LED Specifications **CAL ARIA ARRAY**

3K LUMEN DATA													
LEDs	Current	Lumens	T1	T2	T3	T3L	T4	T4L	T4A	T5SR	T5LR	T5LS	Watts
48	350	6L	6331	6215	6306	5891	6011	5831	6296	6501	6409	6443	50
	530	10L	9416	9243	9379	8954	9137	8863	9363	9669	9532	9583	75
	700	13L	12690	12457	12639	12068	12314	11945	12619	13031	12846	12915	101
64	600	15L	13713	13460	13658	13040	13306	12907	13635	14081	13881	13955	112
64	700	18L	15584	15297	15521	14820	15122	14668	15496	15902	15677	15941	134
80	700	20L	20163	19792	20082	19175	19566	18979	20050	20705	20411	20520	163
96	700	25L	24767	24312	24668	23552	24033	23312	24628	25432	25072	25205	196
4K LUMEN DATA													
48	350	6L	7009	6880	6981	6665	6801	6597	6969	7197	7095	7133	50
	530	10L	10424	10232	10382	9913	10115	9812	10365	10704	10552	10608	75
	700	13L	14048	13790	13992	13359	13632	13223	13969	14426	14221	14297	101
64	600	15L	15180	14901	15119	14435	14730	14288	15095	15588	15367	15449	112
64	700	18L	17811	17484	17740	16937	17283	16765	17711	18290	18030	18126	134
80	700	20L	22321	21911	22231	21226	21659	21009	22195	22920	22595	22716	163
96	700	25L	27418	26914	27308	26073	26605	25807	27263	28154	27755	27903	196
5K LUMEN DATA													
48	350	6L	7009	6880	6981	6665	6801	6597	6969	7197	7095	7133	50
	530	10L	10424	10232	10382	9913	10115	9812	10365	10704	10552	10608	75
	700	13L	14048	13790	13992	13359	13632	13223	13969	14426	14221	14297	101
64	600	15L	15180	14901	15119	14435	14730	14288	15095	15588	15367	15449	112
64	700	18L	17811	17484	17740	16937	17283	16765	17711	18290	18030	18126	134
80	700	20L	22321	21911	22231	21226	21659	21009	22195	22920	22595	22716	163
96	700	25L	27418	26914	27308	26073	26605	25807	27263	28154	27755	27903	196
3K LPW DATA													
LEDs	Current	Lumens	T1	T2	T3	T3L	T4	T4L	T4A	T5SR	T5LR	T5LS	Watts
48	350	6L	127	124	126	118	120	117	126	130	128	129	50
	530	10L	126	123	125	119	122	118	125	129	127	128	75
	700	13L	126	123	125	119	122	118	125	129	127	128	101
64	600	15L	122	120	122	116	119	115	122	126	124	125	112
64	700	18L	116	114	116	111	113	109	116	119	117	119	134
80	700	20L	124	121	123	118	120	116	123	127	125	126	163
96	700	25L	126	124	126	120	123	119	126	130	128	129	196
4K LPW DATA													
48	350	6L	140	138	140	133	136	132	139	144	142	143	50
	530	10L	139	136	138	132	135	131	138	143	141	141	75
	700	13L	139	137	139	132	135	131	138	143	141	142	101
64	600	15L	136	133	135	129	132	128	135	139	137	138	112
64	700	18L	133	130	132	126	129	125	132	136	135	135	134
80	700	20L	137	134	136	130	133	129	136	141	139	139	163
96	700	25L	140	137	139	133	136	132	139	144	142	142	196
5K LPW DATA													
48	350	6L	140	138	140	133	136	132	139	144	142	143	50
	530	10L	139	136	138	132	135	131	138	143	141	141	75
	700	13L	139	137	139	132	135	131	138	143	141	142	101
64	600	15L	136	133	135	129	132	128	135	139	137	138	112
64	700	18L	133	130	132	126	129	125	132	136	135	135	134
80	700	20L	137	134	136	130	133	129	136	141	139	139	163
96	700	25L	140	137	139	133	136	132	139	144	142	142	196