



Round Non Tapered Steel Pole

Pole Shaft

- ASTM A500 Grade B tubing with minimum yield strength of 46,000 PSI. Shaft is furnished with ground lug inside pole, opposite hand hole opening. Center line of hand hole is 12" from base plate.

Base Plate

- Steel Plate base is ASTM-A36 hot rolled steel, meets or exceeds minimum yield strength of 36,000 PSI.
- Base templates provided with order. Do not pre-pour.

Base Cover

- Die-formed from heavy gauge quality aluminum. Two piece cover for easy installation. Square base cover is standard, round base cover is optional.
- Consult factory for DCB bolt circle info.

Pole Cap

- Color-impregnated polymer snap-to-close pole cap provided in black.

Finish

- All poles are shot-blasted and cleaned to a near-white finish prior to painting. A Quali-Guard® textured thermoset polyester powder coat is then applied to a minimum of 3 mils and then oven-baked at a temperature of 400 °F to promote exceptional adherence and finish hardness. Optional Wood Grain Finish is a custom color and is limited to 20' pole height, please consult factory. Optional Zinc-Rich Primer - Recommended within three miles of the ocean. Pole finish is warranted for a full two (2) years. An optional five (5) year extended warranty is also available (external prime coat and internal rust inhibiting coating).

Project Name:

Catalog Number:

Type:

Date:

Location:

Anchor Bolts

- Poles are provided with hot-dip galvanized anchor bolts, with a "J" bend on one end and two flat hex bolts end and two flat washers per bolt. Anchor bolts meet or exceed a minimum of 36,000 PSI. Anchor bolts conform to ASTM F1554 grade 36 and are provided

MODEL	SHAFT SIZE	GAUGE	HEIGHT	BASE	ANCHORAGE
RNTS Round Non Tapered Steel	4R 4"Ø	11	10'	9BC 9" Base 9 3/16" BC	343 3/4" X 30"
			12'		
			14'		
			16'		
			18'		
			20'		
		11	22'	12BC	136
	4"Ø	7	25'	12" Base	1" X 36"
			28' *7G Only	12 3/4" BC	
		11	20'	12BC	136
	5R		22'	12" Base	1" X 36"
	5"Ø		25'	12 3/4" BC	
		7	28'		
			30'		
			35' *7G Only		
	6R		28'	12BC	136
	6"Ø	7	30'	12" Base	1" X 36"
			35'	12 3/4" BC	

CBC
Custom Bolt Circle
· Consult Factory

Direct Burial
*Consult Factory

MOUNTING	FINISH	OPTIONS
----------	--------	---------

S1
Single Bolt-On Arm



D2
Double 180° Bolt-On Arm



D9
Double 90° Bolt-On Arm



T1
Triple 120° Bolt-On Arm



T9
Triple 90° Bolt-On Arm



QD
Quad Bolt-On Arm



Tenon Options

T238R
2 3/8"

T3R
3"

T3.5R
3 1/2"

T4R
4"

BZ
Bronze

BK
Black

SBK
Smooth Black

WH
White

SWH
Smooth White

GP
Graphite

GY
Grey

SL
Silver Metallic

GN
Tennis Green

FG
Forest Green

CC
Custom Color

WGF
Custom Wood Grain Finish
*20' Max Pole Height
*Consult Factory

GAL
Galvanized
*No Paint
*Consult Factory

XX+GAL
Powder Coat Paint Over Galvanized
*Consult Factory

ZRP
Zinc-Rich Primer Coat
*Consult Factory

GFI

GFI Receptacle
*Standard location is in hand hole.
*Specify GFI location if different from hand hole location.
Supplied with in use cover.

USB

USB Receptacle
*Specify location. Supplied with in use cover.

CUP1/2

Coupling 1/2"
*Specify location

CUP3/4

Coupling 3/4"
*Specify location

HCR

Rust-Inhibiting Internal Coating & Primer
*Required for Direct Burial Poles

IVD

Internal Vibration Dampener

RBC

Round Base Cover
*Consult Factory

EB

Eye Bolt

UL

UL Certified

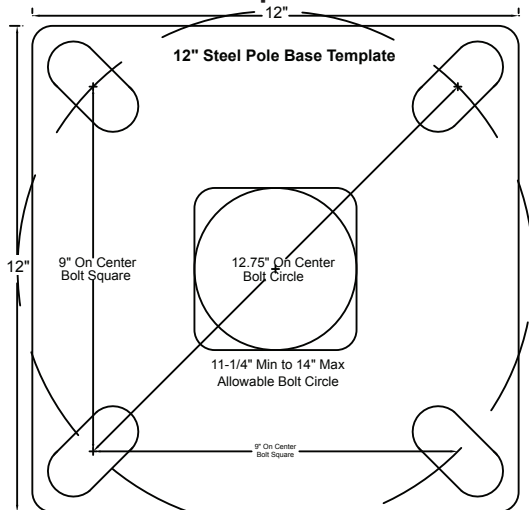
Pole EPA for Round Non-Tapered Steel Poles

Pole Height	Maximum Allowable EPA (ft ²) with 1.3 gust factor							O.D.	Pole Gauge	Base Plate	Bolt Circle	Anchor Bolts
	80 mph	90 mph	100 mph	110 mph	120 mph	130 mph	140 mph					
10'	17.5	13.4	10.7	8.6	7.0	5.9	4.7	4"	11	9"sq x 3/4"	9- 3/16"	3/4" x 30"
12'	14.0	10.7	8.3	6.7	5.3	4.5	3.4	4"	11	9"sq x 3/4"	9- 3/16"	3/4" x 30"
14'	11.5	8.7	6.7	5.2	4.0	3.4	2.4	4"	11	9"sq x 3/4"	9- 3/16"	3/4" x 30"
16'	9.0	6.6	5.0	3.7	2.8	2.4	1.5	4"	11	9"sq x 3/4"	9- 3/16"	3/4" x 30"
18'	7.3	5.2	3.8	2.7	1.8	1.5	-	4"	11	9"sq x 3/4"	9- 3/16"	3/4" x 30"
20'	6.1	4.2	2.9	1.9	1.2	1.0	-	4"	11	9"sq x 3/4"	9- 3/16"	3/4" x 30"
20'	9.9	7.2	5.3	3.9	2.8	2.4	1.6	4"	7	9"sq x 3/4"	9- 3/16"	3/4" x 30"
20'	10.6	7.5	5.5	3.9	2.7	2.3	1.1	5"	11	12"sq x 1"	12-3/4"	1" x 36"
20'	16.8	13.2	9.5	7.2	5.5	4.6	3.1	5"	7	12"sq x 1"	12-3/4"	1" x 36"
22'	4.6	3.0	1.8	1.0	-	-	-	4"	11	12"sq x 1"	12-3/4"	1" x 36"
22'	7.9	5.6	4.0	2.7	1.8	1.5	-	4"	7	12"sq x 1"	12-3/4"	1" x 36"
22'	8.2	5.7	3.9	2.5	1.5	1.3	-	5"	11	12"sq x 1"	12-3/4"	1" x 36"
22'	13.6	9.9	7.4	5.4	3.9	3.3	1.8	5"	7	12"sq x 1"	12-3/4"	1" x 36"
25'	3.2	1.8	-	-	-	-	-	4"	11	12"sq x 1"	12-3/4"	1" x 36"
25'	6.2	4.1	2.7	1.7	-	-	-	4"	7	12"sq x 1"	12-3/4"	1" x 36"
25'	6.3	4.0	2.5	1.2	-	-	-	5"	11	12"sq x 1"	12-3/4"	1" x 36"
25'	11.0	7.7	5.5	3.7	2.5	2.1	-	5"	7	12"sq x 1"	12-3/4"	1" x 36"
28'	4.4	2.4	1.1	-	-	-	-	4"	7	12"sq x 1"	12-3/4"	1" x 36"
28'	4.3	2.3	1.0	-	-	-	-	5"	11	12"sq x 1"	12-3/4"	1" x 36"
28'	8.4	5.6	3.6	2.2	1.0	0.9	-	5"	7	12"sq x 1"	12-3/4"	1" x 36"
28'	7.6	4.7	2.7	1.2	-	-	-	6"	11	12"sq x 1"	12-3/4"	1" x 36"
28'	13.7	9.6	6.6	4.5	2.8	2.4	-	6"	7	12"sq x 1"	12-3/4"	1" x 36"
30'	3.3	1.5	-	-	-	-	-	5"	11	12"sq x 1"	12-3/4"	1" x 36"
30'	7.2	4.6	2.8	1.3	-	-	-	5"	7	12"sq x 1"	12-3/4"	1" x 36"
30'	6.3	3.7	1.7	-	-	-	-	6"	11	12"sq x 1"	12-3/4"	1" x 36"
30'	12.0	8.2	5.5	3.3	1.8	1.5	-	6"	7	12"sq x 1"	12-3/4"	1" x 36"
35'	4.2	2.1	-	-	-	-	-	5"	7	12"sq x 1"	12-3/4"	1" x 36"
35'	7.8	4.7	2.4	-	-	-	-	6"	7	12"sq x 1"	12-3/4"	1" x 36"

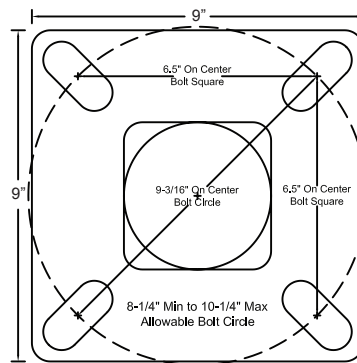
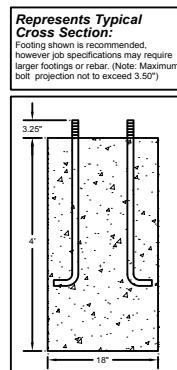
For Direct Burial EPA, consult factory

- CAUTION: If any additional stress such as flags, banners, streamers, ropes, or any other such items are added to poles, Visionaire Lighting's normal product guarantee is null and void. Additionally, adding such items to any pole may create severely hazardous conditions. Poles are calculated to withstand steady wind velocities of between 70 and 100 mph wind zones with a 1.3 gust factor depending on height, wall thickness, and width/ diameter. For an exact rating on a specific order, contact Visionaire Lighting directly.
- Certain geographic areas experience unique wind conditions that can cause wind-induced vibrations leading to a fatigue problem. There is currently no known method to predict destructive vibration of lighting poles. These conditions are unique and cannot be guaranteed against, and it is the responsibility of a site engineer to address them locally.

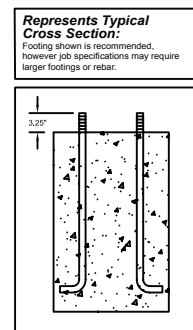
Base Plate Templates - Not To Scale



12" Steel Pole Base Template
1" x 36" Anchor Bolts



9" Steel Pole Base Template
3/4" x 30" Anchor Bolts



GFI Receptacle

Standard location is in hand hole.
Supplied with in-use cover.



USB Receptacle

Standard location is in hand hole.
Supplied with in-use cover.



Optional round base cover shown.

Eye Bolt

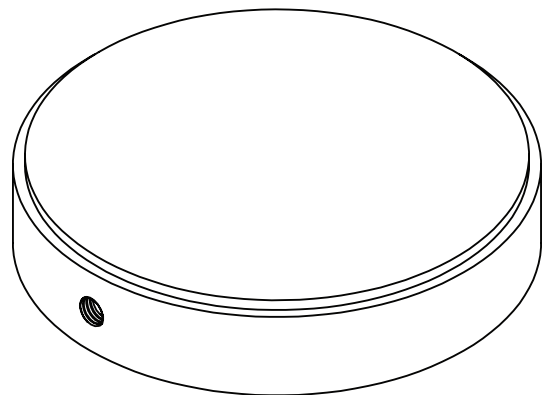
Specify orientation, height and location.
1 17/32" Max eye diameter. Standard
position 6" downwards from top, same
side as standard hand hole.



Optional round
base cover shown.

UL Certified

UL Certified option comes
supplied with aluminum
pole cap as standard.



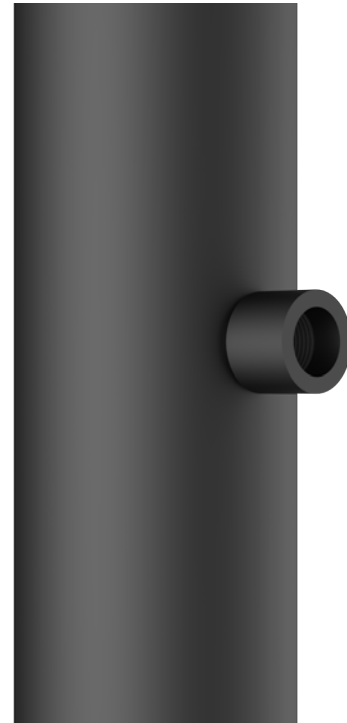
1/2" Coupling

Specify orientation, height and location

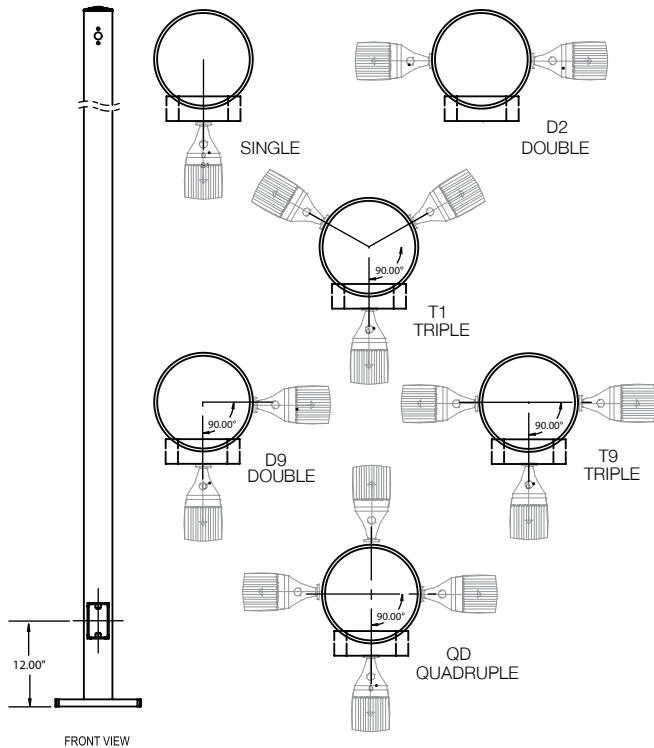


3/4" Coupling

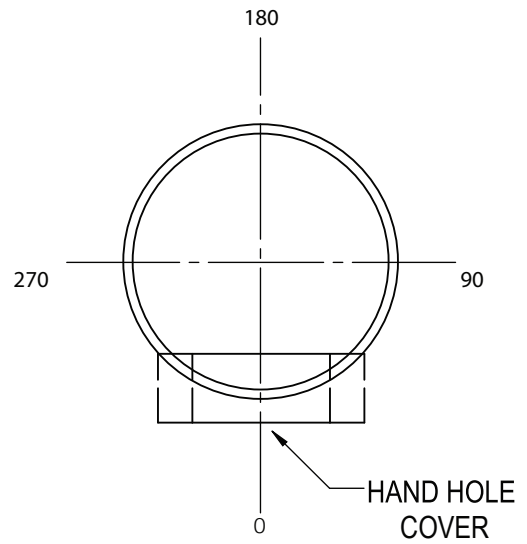
Specify orientation, height and location



Hand Hole And Fixture Orientation



Hand Hole And Accesories Orientation



Internal Vibration Dampener

Internal Chain Vibration Damper can be installed in the field to mollify first mode pole vibration.



Optional round base cover shown.

Custom Wood Grain Finish

Multi Stage Process for realistic wood grain finish. 20' Pole Height Max. Consult factory.



Standard Finish Colors



Rust-Inhibiting Internal Coating & Primer

Required for Direct Burial Poles

