

Fig.1

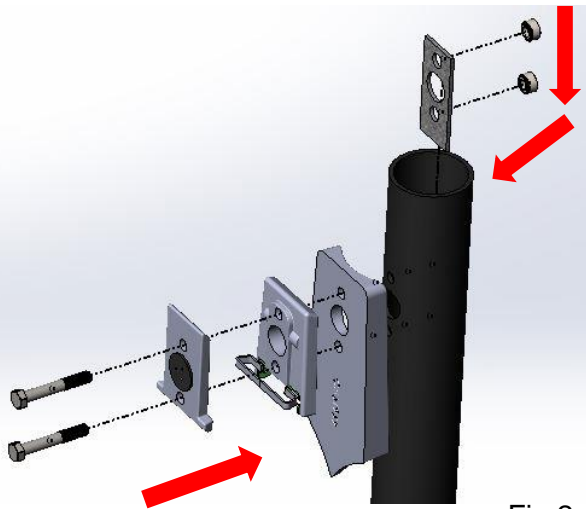


Fig.2

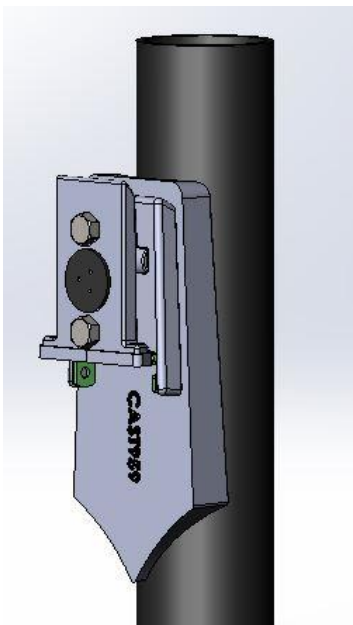


Fig.3



## BEFORE YOU BEGIN

- Read these instructions completely and carefully.
- Save these instructions for future use.



## WARNING

- To avoid possible risk of fire or shock turn off power prior to installation or maintenance preferably at circuit breaker. Product must be installed following all NEC and local Electrical Codes.

## UNPACKING

- This luminaire has been properly packaged so that no damage shall occur during transportation
- Inspect and confirm

## INSTALLATION

- Use drill pattern for poles that are not supplied by Visionaire Lighting. Be sure wire-way hole is free of rough edges and adverse burr (see Fig. 1).
- Slip plate into top of pole and align to holes on pole making sure that pole plate is flush to inside of pole wall, then Align (2x) screws and the provisions of the Castings, Pole, Nut Plate and Nuts (Fig 2).
- Attach cleat assembly to pole (leave very loose) with the two hex head bolts attached to cleat assembly. Hook attached to cleat assembly must be at bottom (Fig. 3).
- Pull electrical power leads (by others) thru wire-way hole on pole. Make sure there is at least 12" of leads emerging from pole.



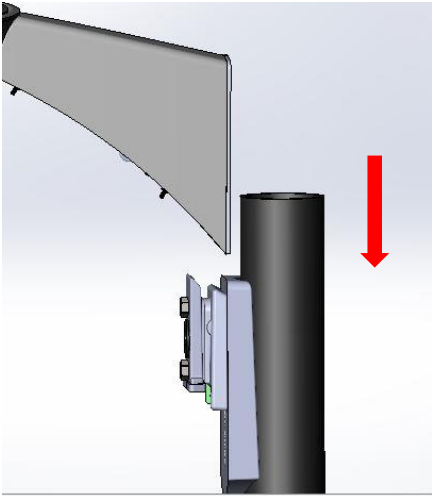


Fig.4

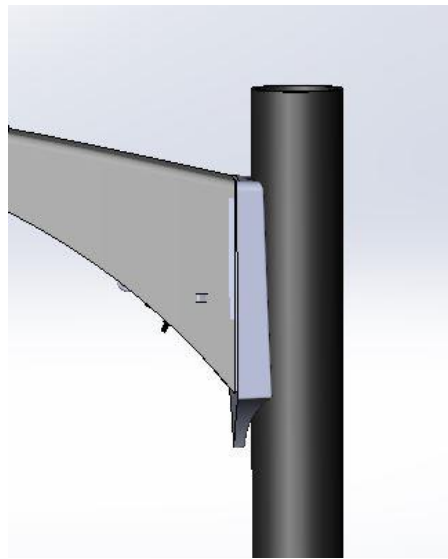


Fig.5

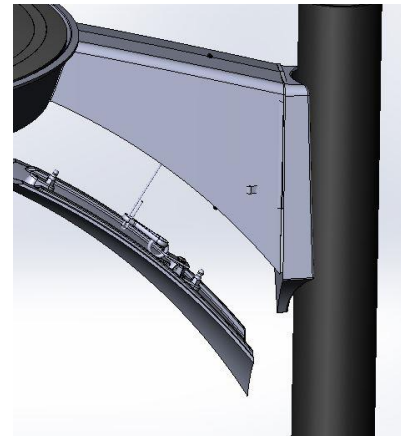


Fig.7

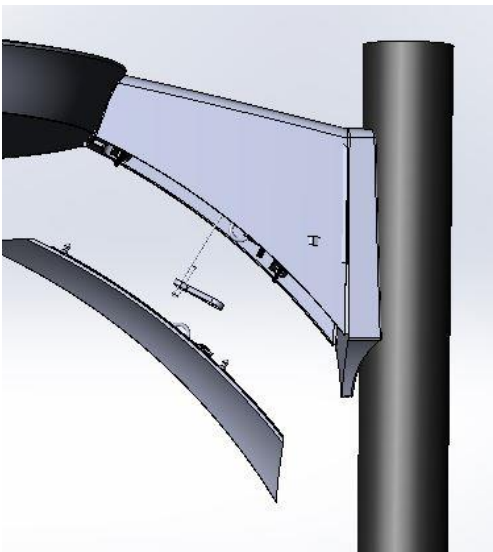


Fig.6

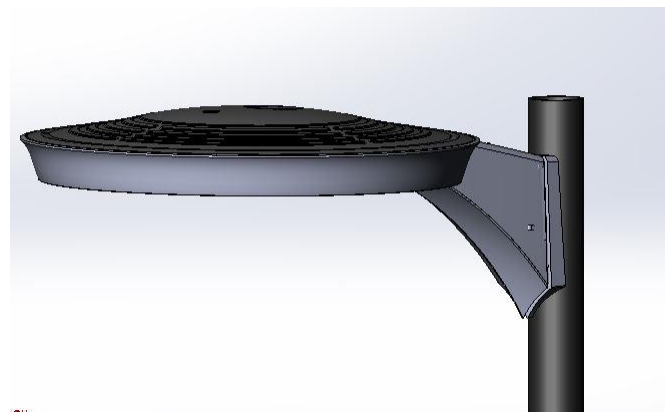


Fig.8

- Slide luminaire Driver Compartment between the Castings (Fig. 4) and tighten the 2 hex head bolts to 19 ft-lb. (Fig.5)
- Make all electrical connections to inside of luminaire per NEC and/or any required local electrical codes.
- Attach Door to luminaire (Fig. 6) and hook door to luminaire with aircraft cable (Fig. 7).
- Push door up into luminaire until a “click” is heard to engage the lock and close the luminaire (Fig. 8).

