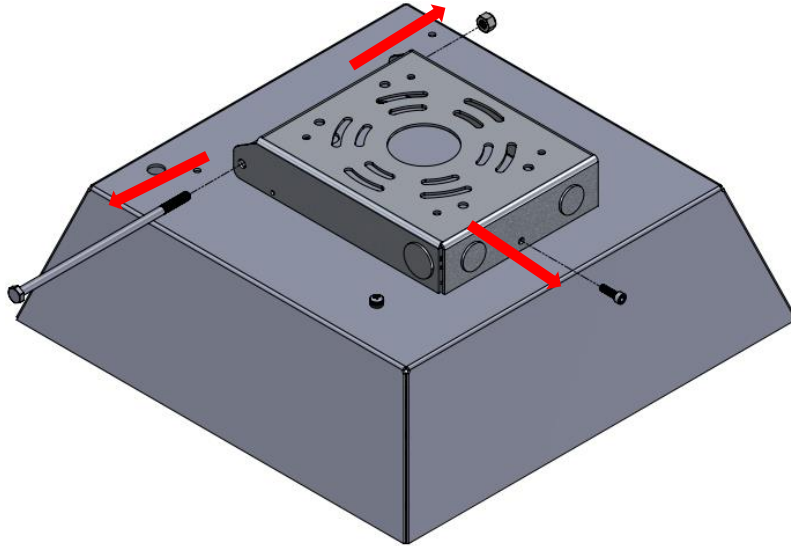


PGA – Ceiling Mount Installation Instruction

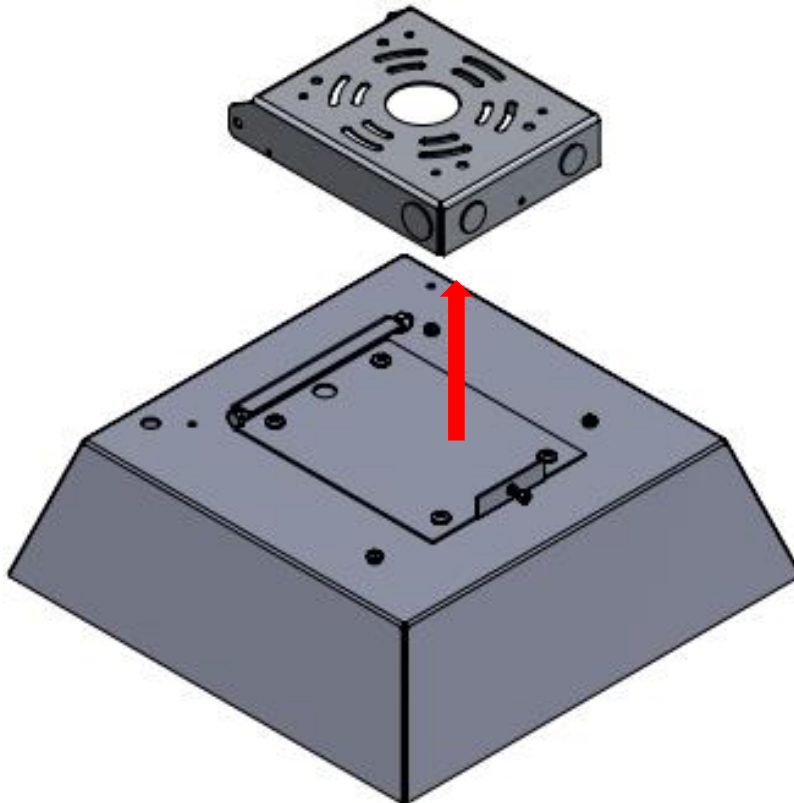
All installation work must be performed by a qualified, certified electrician.

Caution! Disconnect all power before installation.

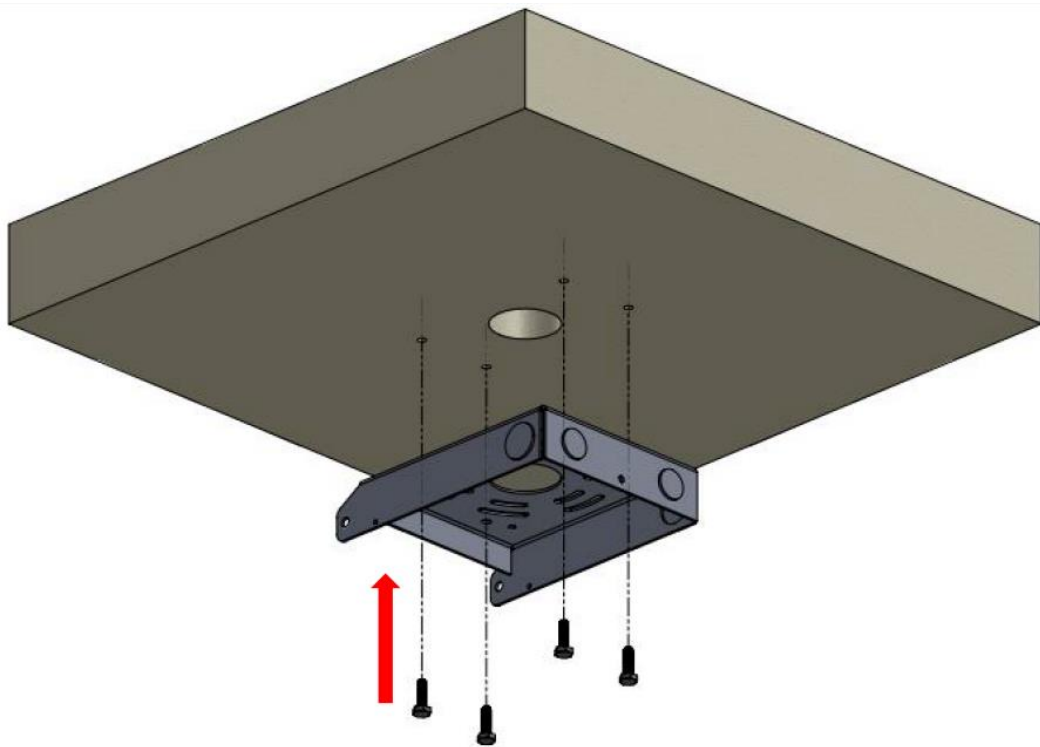
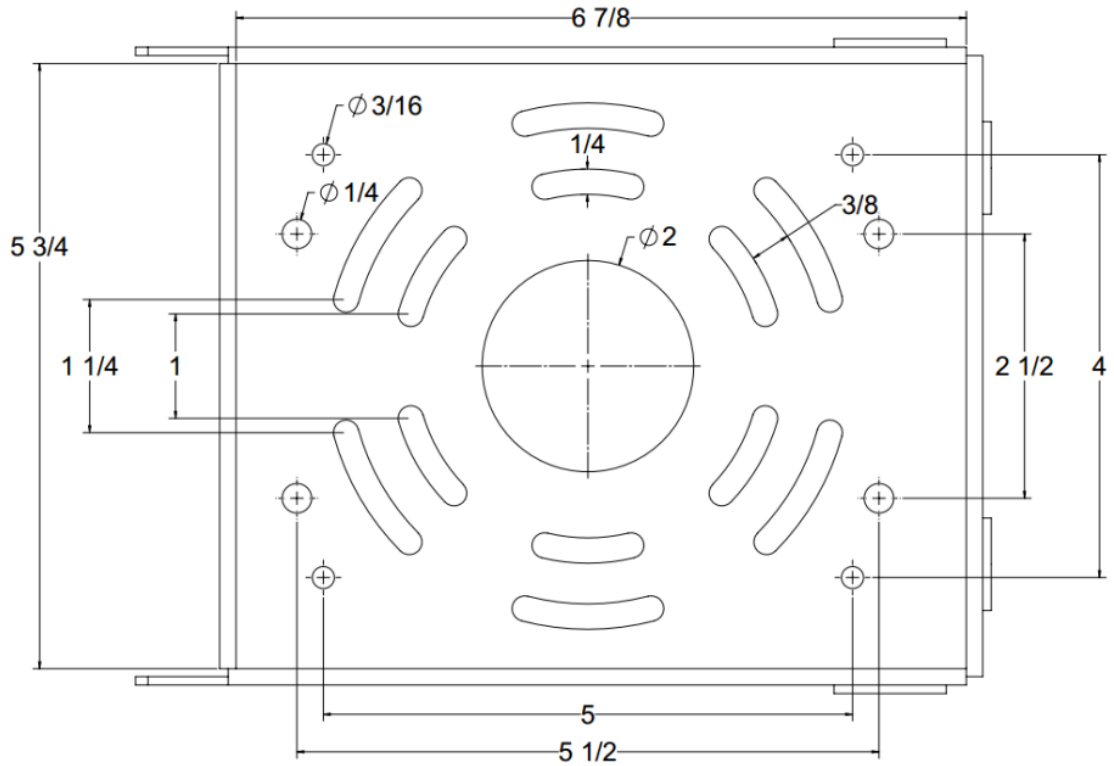
1. Remove (X1) screw socket head cap, (X1) hex head cap screw partial thread and (X1) nut from ceiling mount brackets.



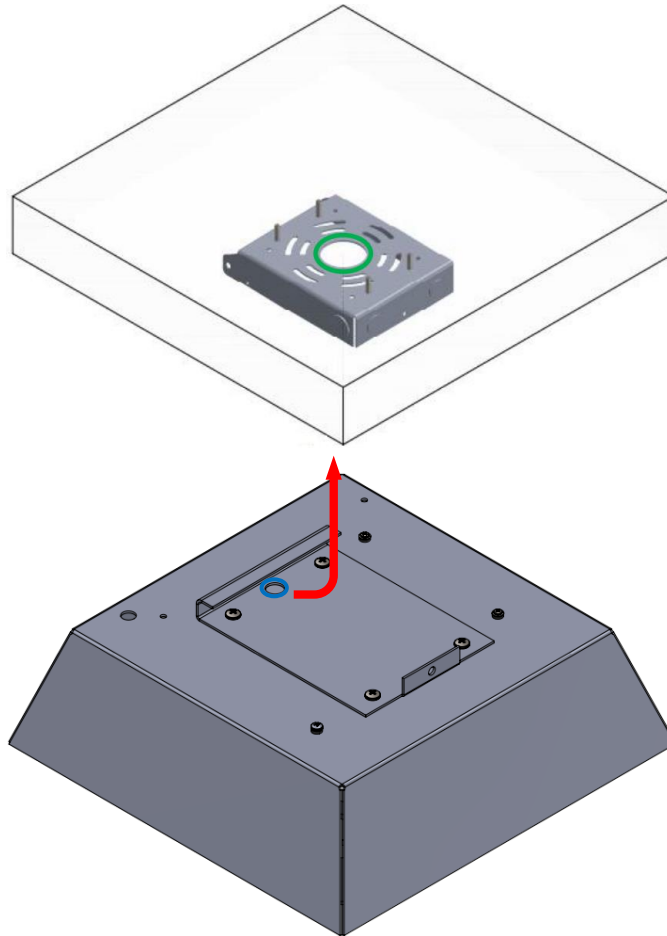
2. Disassemble mounting plate from bottom bracket.



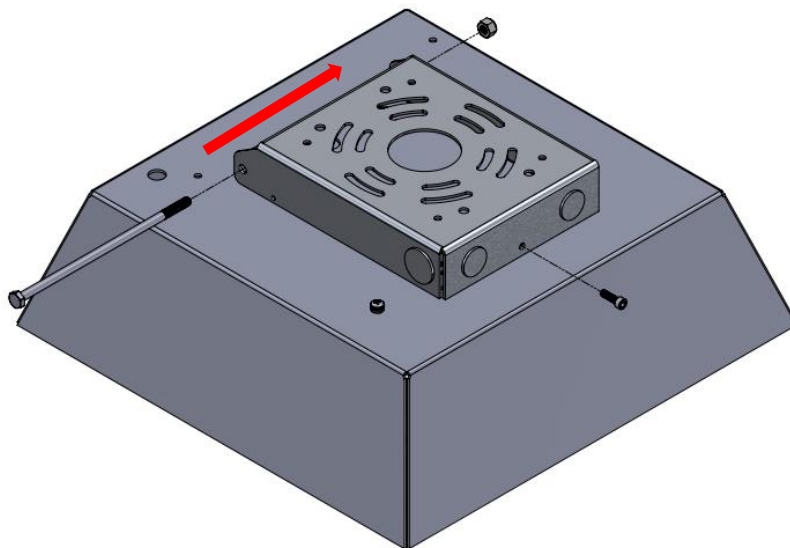
3. Secure mounting plate to ceiling junction box using hardware of your choice. Please refer to the following drilling pattern drawing.



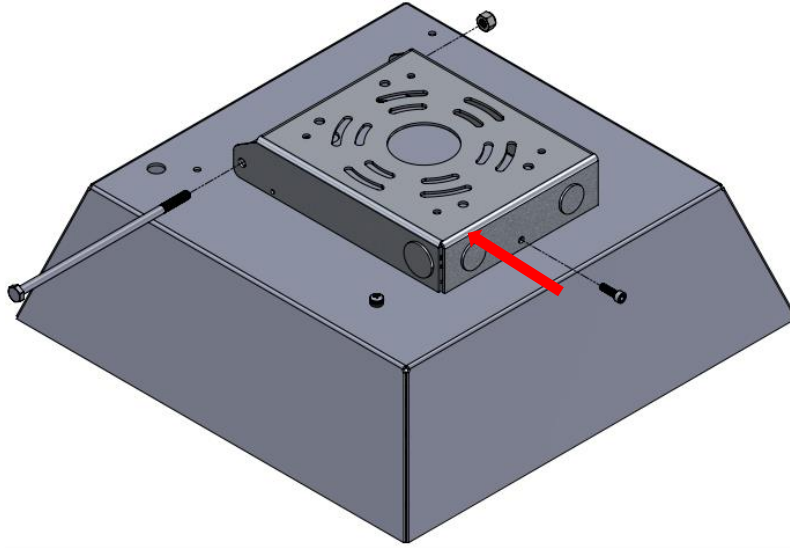
4. Route electrical wires from fixture (marked in blue) through mounting plate hole (marked in green) to connect to power supply.



5. Align (X1) hex head cap screw partial thread, ceiling mount brackets and (X1) nut. Fasten (X1) hex head cap screw partial thread and (X1) nut.



6. Align (X1) screw sockets head cap and ceiling mount bracket. Fasten (X1) screw socket head cap.



7. Final assembly.

