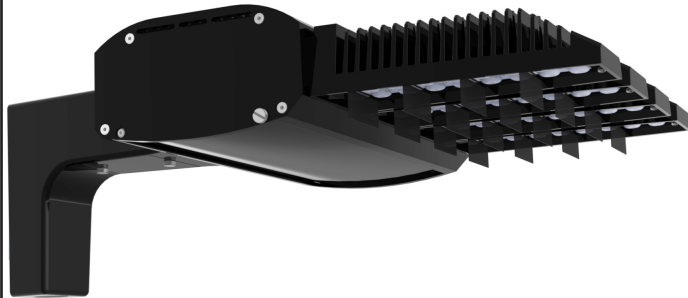


# BSX-II LED Specifications

BSX-II-4 Bolt on Arm with CLS Shown



Project Name:

Catalog Number:

Type:

The new **BOW SX LED** Series continues the unique contemporary design inspired by the sleek styling of the BOW family. Separating the extruded aluminum driver housing and the individual die-cast aluminum linear LED engines: optimize the life of the LEDs and the Driver(s); and maximizes the lumen output of the fixture.

Each of the individual LED light engines come with 16 LEDs; for a max total of 64 LEDs. Nine optical distribution patterns are available.

Available in 3000, 4000 or 5000 Kelvin temperature. A durable polyester powder coat finish is guaranteed for five years; and is available in standard or custom colors.

The **BOW SX LED** series is an exceptional choice for shopping centers, schools, office buildings, and general area lighting.

## Ordering Information

MODEL	OPTICS	SOURCE	CURRENT	KELVIN	VOLTAGE	MOUNTING	FINISH	OPTIONS	OPTIONS
<b>BSX-II-2</b>	<b>T1</b> Type 1	<b>32LC</b>	<b>3</b> 350mA	<b>3K</b> 3000K	<b>UNV</b> 120-277V	<b>PT</b> Post Top	<b>GY</b> Grey	<b>PCR-120</b>	<b>DIM</b> 0-10v Dimming Driver No Controls
<b>BSX-II-3</b>	<b>T2</b> Type 2	<b>48LC</b>	<b>5</b> 530mA	<b>4K</b> 4000K	<b>8</b> 347V	<b>MA</b> Mast Arm Fitter	<b>SL</b> Silver Metallic	<b>PCR-208</b>	<b>WSC-8</b> Motion Sensor 8' Mounting Height
<b>BSX-II-4</b>	<b>T3</b> Type 3	<b>64LC</b>	<b>7</b> 700mA	<b>5K</b> 5000K	<b>5</b> 480V	<b>KM</b> Knuckle Mount	<b>BK</b> Black	<b>PCR-240</b>	<b>WSC-20</b> Motion Sensor 9-20' Mounting Height
	<b>T4</b> Type 4		<b>10</b> 1050mA			<b>BOA</b> Bolt-On Arm	<b>SBK</b> Smooth Black	<b>PCR-277</b>	<b>WSC-40</b> Motion Sensor 21-40' Mounting Height
	<b>T4A</b> Type 4 Automotive					<b>TM</b> Trunnion Mount	<b>WH</b> White	<b>PCR-347</b>	<b>ROT-R</b> Rotated Optics Right Side
	<b>T5</b> Type 5					<b>WM</b> Wall Mount	<b>SWH</b> Smooth White	<b>PCR-480</b>	<b>ROT-L</b> Rotated Optics Left Side
	<b>T5W</b> Type 5 Wide					<b>AWM</b> Adjustable Wall Mount	<b>BZ</b> Bronze	<b>PER</b> <b>5PINPER</b> <b>7PINPER</b> 3, 5, or 7 Pin Photo Receptacle w/shorting cap Requires Dimming Driver	<b>VWC</b> Visionaire Wireless Controls * Consult Factory
	<b>T5WR</b> Type 5 Wide Round						<b>GP</b> Graphite	<b>DS</b> Decorative Shroud	<b>CLS</b> Back Side Cutoff Louver Shield
	<b>FN</b> Flood Narrow						<b>CC</b> Custom Color	<b>RPP</b> Round Pole Plate Adaptor For 3"Ø - 5"Ø Pole	
	<b>FM</b> Flood Medium							<b>UPMA-S</b> Universal Square Pole Mount Adaptor	
								<b>UPMA-R</b> Universal Round Pole Mount Adaptor	

\*The WSC option will require (1) FSIR 100 remote for programming

## Housing

The LED light engines are constructed of heavy-duty, die-cast aluminum, with external heat radiating fins.

## Driver Compartment

The separate driver housing is constructed of extruded aluminum, with vented cast aluminum end covers and stainless steel fasteners; for easy access to the LED driver(s); allowing for cooler operation and longer driver life. One-piece gasketing is utilized throughout the fixture for weather tight operation.

## Thermal Management

- The BOW SX Series provides excellent overall thermal management by maximizing the fixture's heat sink capabilities. This enables the BOW SX Series to withstand higher ambient temperatures and drive currents without degrading LED life.
- The L70 test determines the point in an LEDs life when it reaches 70 percent of its initial output. The BOW SX Series LEDs have been determined to last a minimum of 100,000 hours in 25°C environments when driven at 350 mA.

## Optical System

- The highest lumen output, LEDs are utilized in the BOW SX Series. IES distribution Types 1, 2, 3, 4, 4A, 5, 5W, FN and FM are available. LED light engines come in multiples of 16 LEDs.
- CRI values are 70.

## Quali-Guard® Finish

- The finish is a Quali-Guard® textured, chemically pretreated through a multiple-stage washer, electrostatically applied, thermoset polyester powder coat finish, with a minimum of 3-5 millimeter thickness. Finish is oven-baked at 400 °F to promote maximum adherence and finish hardness.
- All finishes are available in standard and custom colors.
- Finish is guaranteed for five (5) years.

## Mounting

- An adjustable knuckle slip fits over a 2 3/8" Tenon, and allows for up to 50° degrees of vertical adjustment in 10° degree increments from horizontal, as well as full side to side adjustment with the knuckle mount.
- A round extruded 6" aluminum, Bolt -On Arm (BOA) with an in-pole nut plate. A Round Pole Plate Adapter (RPP) is required for mounting to round poles.
- A cast wall mount plate is available for wall mount applications.

## Electrical Assembly

- The BOW SX Series is supplied with a choice of 350, 530, 700, or 1000 mA high-performance LED drivers, that accept 120v thru 480v, 50 Hz to 60 Hz, input.
- Rated for -40 °C to +55 °C operations.
- Power factor of 90%.
- THD less than or equal to 20%
- 20 kV surge protector supplied as standard.
- 0-10v Dimming Driver supplied as standard.

## Warranty

Five (5) year Limited Warranty on entire system, including finish. For full warranty information, please visit [VisionaireLighting.com](http://VisionaireLighting.com).

## Options

- Photocell & Receptacle
- Photo Receptacle
- Round Pole Plate Adapter
- Motion Sensor
- Universal Pole Mount Adapter
- Decorative Shroud
- Dimming Driver
- Wireless Controls
- Rotated Optics
- Cut-off Louver Shield

## Listings

- BOW SX Series is UL listed, suitable for wet locations
- Meets ANSI C136.31-2010 3G Vibration Standards
- Powder Coated Tough™
- IP-66 Rated
- DLC Listed
- IDA Certification
- Pangealink

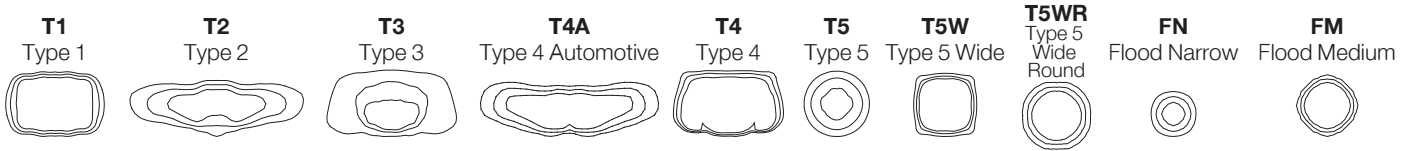


DesignLights Consortium (DLC) qualified Product. Some configurations of this product family may not be DesignLights Consortium (DLC) listed, please refer to the DLC qualified products list to confirm listed configurations. <http://www.designlights.org/>  
3000K must be selected with a fixed mount for IDA certification.  
Fixed mount must be selected for IDA dark sky certification.

BSX-II - ELECTRICAL CHART							
Ordering Nomenclature	System Watts	120	208	240	277	347	480
BSX-II-2-T5W-32LC-3	36	.30	.17	.15	.13	.10	.08
BSX-II-2-T5W-32LC-5	53	.44	.25	.22	.19	.15	.11
BSX-II-2-T5W-32LC-7	72	.60	.35	.30	.26	.21	.15
BSX-II-2-T5W-32LC-10	109	.91	.52	.45	.39	.31	.23
BSX-II-2-T5W-32LC-3	54	.45	.26	.23	.19	.16	.11
BSX-II-2-T5W-32LC-5	81	.68	.39	.34	.29	.23	.17
BSX-II-2-T5W-32LC-7	106	.88	.51	.44	.38	.31	.22
BSX-II-2-T5W-32LC-10	162	1.35	.78	.68	.58	.47	.34
BSX-II-2-T5W-32LC-3	73	.61	.35	.30	.26	.21	.15
BSX-II-2-T5W-32LC-5	107	.89	.51	.45	.39	.31	.22
BSX-II-2-T5W-32LC-7	139	1.16	.67	.58	.50	.40	.29
BSX-II-2-T5W-32LC-10	221	1.84	1.06	.92	.80	.64	.46

# BSX-II LED Specifications

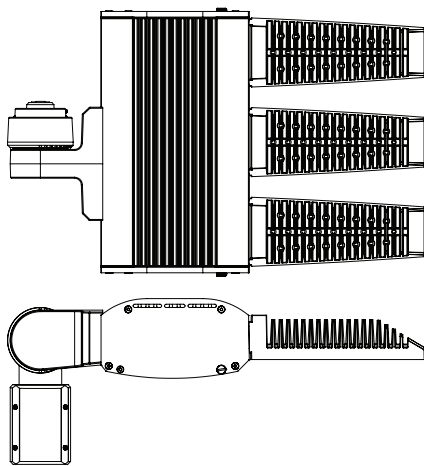
## Photometric Optical Summary



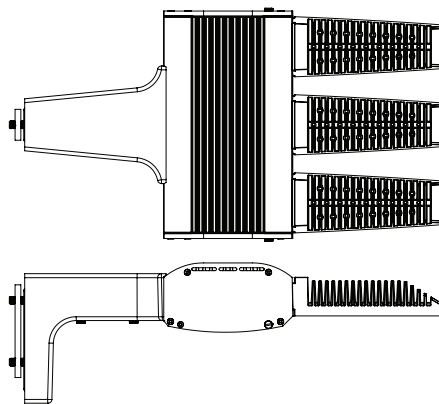
## Dimensions

Knuckle Mount		Bolt-On Arm		Mast Arm		Post Top		Trunnion Mount		Adjustable Wall Mount	
<b>Width:</b>	BSX-II-2 15" BSX-II-3 15" BSX-II-4 17"	<b>Width:</b>	BSX-II-2 15" BSX-II-3 15" BSX-II-4 17"	<b>Width:</b>	BSX-II-2 15" BSX-II-3 15" BSX-II-4 17"	<b>Width:</b>	BSX-II-2 15" BSX-II-3 15" BSX-II-4 17"	<b>Width:</b>	BSX-II-2 15" BSX-II-3 15" BSX-II-4 17"	<b>Width:</b>	BSX-II-2 14" BSX-II-3 15" BSX-II-4 17"
<b>Depth:</b>	BSX-II-2 29" BSX-II-3 29" BSX-II-4 29"	<b>Depth:</b>	BSX-II-2 27" BSX-II-3 27" BSX-II-4 27"	<b>Depth:</b>	BSX-II-2 28" BSX-II-3 28" BSX-II-4 28"	<b>Depth:</b>	BSX-II-2 27" BSX-II-3 27" BSX-II-4 27"	<b>Depth:</b>	BSX-II-2 25" BSX-II-3 25" BSX-II-4 25"	<b>Depth:</b>	BSX-II-2 25" BSX-II-3 25" BSX-II-4 25"
<b>Height:</b>	BSX-II-2 5" BSX-II-3 5" BSX-II-4 5"	<b>Height:</b>	BSX-II-2 9" BSX-II-3 9" BSX-II-4 9"	<b>Height:</b>	BSX-II-2 5" BSX-II-3 5" BSX-II-4 5"	<b>Height:</b>	BSX-II-2 5" BSX-II-3 5" BSX-II-4 5"	<b>Height:</b>	BSX-II-2 5" BSX-II-3 5" BSX-II-4 5"	<b>Height:</b>	BSX-II-2 8" BSX-II-3 8" BSX-II-4 8"

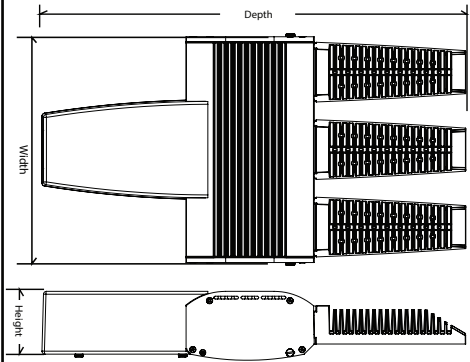
### Knuckle Mount



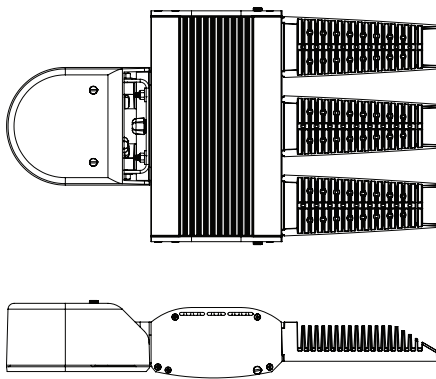
### Bolt-On Arm



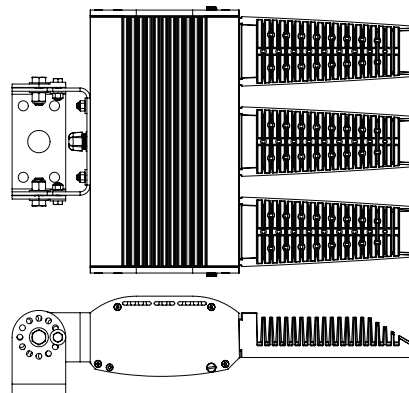
### Mast Arm



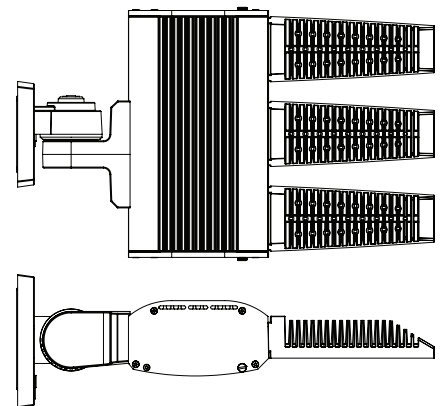
### Post Top Mount



### Trunnion Mount



### Adjustable Wall Mount



BSX-II 3K LUMEN DATA												
# of LEDs	Current (mA)	T1	T2	T3	T4	T4A	T5	T5W	T5WR	FN	FM	Wattage
32	350	5285	4841	4850	4867	5497	4913	4649	4696	5591	5728	36
	530	7438	6813	6826	6850	7736	6914	6543	6609	7868	8061	53
	700	9737	8919	8936	8967	10127	9051	8565	8651	10300	10553	72
	1050	12857	11778	11799	11841	13373	11952	11310	11424	13601	13935	109
48	350	7669	7025	7038	7063	7976	7129	6746	6814	8113	8311	54
	530	11044	10116	10135	10171	11486	10266	9715	9813	11683	11969	81
	700	13981	12807	12831	12876	14541	12996	12298	12422	14790	15153	106
	1050	19401	17772	17805	17868	20179	18035	17066	17238	20524	21027	162
64	350	10704	9805	9823	9858	11133	9950	9416	9511	11323	11601	73
	530	15462	14164	14190	14240	16082	14374	13602	13739	16357	16758	107
	700	19459	17825	17858	17921	20239	18089	17117	17290	20585	21090	139
	1050	25714	23556	23599	23682	26745	23904	22620	22848	27203	27870	221

BSX-II 4K LUMEN DATA												
# of LEDs	Current (mA)	T1	T2	T3	T4	T4A	T5	T5W	T5WR	FN	FM	Wattage
32	350	5563	5096	5105	5123	5786	5171	4894	4943	5885	6029	36
	530	7829	7172	7185	7210	8143	7278	6887	6956	8282	8485	53
	700	10249	9389	9406	9439	10660	9527	9016	9107	10842	11108	72
	1050	13534	12398	12420	12464	14076	12581	11905	12025	14317	14668	109
48	350	8072	7395	7408	7434	8396	7504	7101	7173	8540	8749	54
	530	11625	10649	10668	10706	12091	10806	10226	10329	12298	12599	81
	700	14717	13481	13506	13554	15307	13680	12946	13076	15568	15950	106
	1050	20422	18708	18742	18808	21241	18984	17965	18146	21604	22134	162
64	350	11267	10321	10340	10377	11719	10474	9911	10011	11919	12212	73
	530	16276	14910	14937	14990	16929	15130	14318	14462	17218	17640	107
	700	20483	18763	18798	18864	21304	19041	18018	18200	21668	22200	139
	1050	27068	24795	24841	24928	28153	25162	23811	24051	28634	29336	221

BSX-II 5K LUMEN DATA												
# of LEDs	Current (mA)	T1	T2	T3	T4	T4A	T5	T5W	T5WR	FN	FM	Wattage
32	350	5365	4915	4924	4941	5581	4988	4720	4767	5676	5815	36
	530	7551	6917	6930	6954	7854	7019	6642	6709	7988	8184	53
	700	9885	9055	9072	9104	10281	9189	8695	8783	10457	10713	72
	1050	13053	11957	11979	12021	13576	12134	11482	11598	13808	14147	109
48	350	7786	7132	7145	7170	8098	7237	6849	6918	8236	8438	54
	530	11212	10271	10289	10326	11661	10422	9863	9962	11861	12151	81
	700	14194	13002	13026	13072	14763	13194	12109	12612	15015	15383	106
	1050	19696	18043	18076	18140	20486	18310	17326	17501	20836	21347	162
64	350	10867	9955	9973	10008	11302	10102	9559	9656	11496	11778	73
	530	15698	14380	14406	14457	16327	14593	13809	13948	16606	17014	107
	700	19755	18097	18130	18194	20547	18364	17378	17553	20899	21411	139
	1050	26106	23914	23958	24043	27152	24268	22964	23196	27617	28294	221

BSX-II EPA DATA			
Tilt. Deg.	BSX-2	BSX-3	BSX-4
0	.58	.58	.59
10	.58	.62	.77
20	.62	.82	1.02
30	.76	1.02	1.28
40	.9	1.2	1.53
50	1.01	1.36	1.75

BSX-II WEIGHT		
BSX-2	BSX-3	BSX-4
16LB	21LB	26LB

# BSX-II LED Specifications

BSX-II 3K CLS LUMEN DATA												
# of LEDs	Current(mA)	T1	T2	T3	T4	T4A	T5	T5W	T5WR	FN	FM	Wattage
32	350	2865	2700	2926	2348	2968	2526	2432	2471	3106	3097	36
	530	4032	3800	4117	3304	4177	3555	3422	3476	4371	4359	53
	700	5279	4974	5390	4326	5468	4653	4480	4551	5722	5706	72
	1050	6970	6569	7117	5712	7220	6145	5916	6010	7557	7535	109
48	350	4157	3918	4245	3407	4307	3665	3529	3585	4507	4495	54
	530	5987	5642	6113	4906	6202	5278	5081	5162	6491	6472	81
	700	7580	7142	7739	6211	7852	6682	6433	6536	8217	8193	106
	1050	10518	9912	10739	8619	10895	9272	8927	9069	11402	11370	162
64	350	5803	5469	5925	4756	6011	5115	4925	5004	6291	6273	73
	530	8382	7900	8559	6870	8683	7390	7115	7228	9087	9062	107
	700	10550	9941	10771	8645	10928	9300	8953	9096	11436	11404	139
	1050	13941	13137	14234	11424	14440	12289	11832	12020	15112	15070	221
BSX-II 4K CLS LUMEN DATA												
# of LEDs	Current(mA)	T1	T2	T3	T4	T4A	T5	T5W	T5WR	FN	FM	Wattage
32	350	3039	2864	3103	2490	3148	2679	2579	2620	3294	3285	36
	530	4277	4030	4367	3505	4430	3770	3630	3687	4636	4623	53
	700	5598	5276	5716	4588	5799	4935	4752	4828	6069	6052	72
	1050	7393	6967	7548	6058	7658	6517	6275	6374	8014	7992	109
48	350	4409	4155	4502	3613	4568	3887	3742	3802	4780	4767	54
	530	6350	5984	6483	5204	6578	5598	5389	5475	6883	6864	81
	700	8039	7575	8208	6588	8327	7087	6823	6931	8715	8690	106
	1050	11156	10512	11390	9141	11555	9834	9468	9618	12093	12059	162
64	350	6154	5800	6284	5044	6375	5426	5223	5306	6672	6653	73
	530	8891	8378	9078	7286	9210	7838	7546	7666	9638	9611	107
	700	11189	10544	11424	9169	11590	9864	9496	9648	12129	12095	139
	1050	14785	13933	15096	12116	15316	13035	12549	12749	16029	15983	221
BSX-II 5K CLS LUMEN DATA												
# of LEDs	Current(mA)	T1	T2	T3	T4	T4A	T5	T5W	T5WR	FN	FM	Wattage
32	350	2894	2727	2955	2372	2998	2551	2456	2496	3138	3129	36
	530	4073	3838	4159	3338	4219	3590	3457	3512	4416	4403	53
	700	5332	5025	5444	4369	5523	4700	4525	4597	5780	5764	72
	1050	7041	6635	7189	5770	7293	6207	5976	6071	7633	7611	109
48	350	4200	3957	4288	3442	4350	3702	3564	3621	4553	4539	54
	530	6048	5699	6175	4956	6265	5331	5133	5214	6556	6538	81
	700	7656	7215	7817	6274	7931	6749	6498	6602	8300	8276	106
	1050	10624	10012	10847	8706	11005	9366	9017	9161	11517	11485	162
64	350	5862	5523	5985	4804	6072	5167	4975	5054	6354	6336	73
	530	8467	7979	8645	6939	8771	7464	7186	7301	9179	9153	107
	700	10656	10042	10880	8732	11038	9394	9044	9188	11552	11519	139
	1050	14082	13270	14378	11539	14586	12413	11952	12142	15265	15222	221