

VMF LED Specifications



Project Name:

Catalog Number:

Type:

The new **VMF LED** Series offers clean, functional styling that is defined by its sleek low profile design and rugged construction. It combines LED performance and advanced LED thermal management technology and provides outdoor lighting that is both energy efficient and aesthetically pleasing.

The LED's performance and the driver's life are maximized by enclosing them in two separate cast aluminum housings. Sturdy Knuckle or Trunnion mount options.

The LED light assemblies come with 48 to 96 LED's. Multiple optical distribution patterns are available. Choose between 3000, 4000 or 5000 Kelvin temperature of the LEDs.

A durable polyester powder coat finish is guaranteed for five years; and is available in standard or custom colors.

The **VMF LED** series is an exceptional choice for building lighting, sign lighting, and other flood lighting applications.

Ordering Information

MODEL	OPTICS	ARRAYS	CURRENT	KELVIN	VOLTAGE	MOUNTING	FINISH	OPTIONS	OPTIONS
VMF-1	7x5	48LC	3 350mA	3K 3000K	UNV 120-277V	KM Knuckle Mount Slips over 2 3/8" Tenon with adjustable increments of 10°	BZ Bronze	PC-120 Button Type Photocell	UMAP Universal Mast Arm Fitter
	7x7	64LC	5 530mA	4K 4000K	8 347V		BK Black	PC-208 Button Type Photocell	ECLS Egg Crate Light Shield
	FN Flood Narrow	80LC	7 700mA	5K 5000K	5 480V *347V & 480V not available in 32LC 350mA	TM Trunnion Mount adjustable up to 90° in 5° increments.	SBK Smooth Black	PC-240 Button Type Photocell	ADJLS Adjustable louver light shield
	FM Flood Medium	96LC	10 1050mA *Not available in 80LC and 96LC			NM Nipple Mount slip threads over a 3/4" NPT, allows for up to 90° of vertical adjustment in 10° increments from horizontal	WH White	PC-277 Button Type Photocell	BD Barn Door Light Shield
						AWM Adjustable Wall Mount allows for up to 70° of vertical adjustment in 10° increments from horizontal	SWH Smooth White	DIM 0-10v Dimming Driver	ZFP Zinc-Free Primer
							GP Graphite		
							GY Grey		
							SL Silver Metallic		
							CC Custom Color		

Features & Specifications

VMF

Housing

Die cast aluminum LED housing with integral cooling fins for thermal management.

Mounting Arm/Driver Compartment

Durable cast aluminum driver compartment opens for easy access to removable driver(s) for ease of maintenance, and cooler driver operation; and are sealed with one-piece silicone gaskets.

Thermal Management

- The VMF series provides excellent thermal management by mounting the LED's to the substantial heat sink of the housing. This enables the Luminaire to withstand higher ambient temperatures and driver currents without degrading LED life.
- The L70 test determines the point in an LEDs life when it reaches 70 percent of its initial output. The V-Flood series LED's have been determined to last 90,000+ hours in 25° C environments when driven at 700 mA.

Optical System

- The highest lumen output LEDs are utilized in the VMF series. Multiple flood optical patterns are available.
- CRI values are 70.

Quali-Guard® Finish

- The finish is a Quali-Guard® textured, chemically pretreated through a multiple-stage washer, electrostatically applied, thermoset polyester powder coat finish, with a minimum of 3-5 millimeter thickness. Finish is oven-baked at 400° F to promote maximum adherence and finish hardness. All finishes are available in standard and custom colors.
- Finish is guaranteed for five (5) years.
- Zinc-Free Primer is used as an additional protective barrier between the luminaire and harsh environments

Electrical Assembly

- The VMF series is supplied with a choice of 350, 530, 700 or 1000 mA high-performance LED drivers that accept 120v thru 480v, 50 Hz to 60 Hz, input. Power factor of 90%. Rated for -40 oC operations.
- 10 kV surge protector supplied as standard.

Warranty

Five (5) year Limited Warranty on entire system, including finish. For full warranty information, please visit VisionaireLighting.com.

Options

- Button Type Photocell
- 0-10v Dimming Driver
- UMAP
- Egg Crate Light Shield
- Adjustable Louver Light Shield
- Barn Door Shield

Listings

- The VMF Series is cUL Listed
- Powder Coated Tough
- DLC Listed
- IDA Certification
- IP66



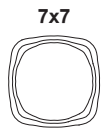
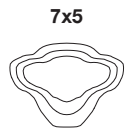
DesignLights Consortium (DLC) qualified Product. Some configurations of this product family may not be DesignLights Consortium (DLC) listed, please refer to the DLC qualified products list to confirm listed configurations. <http://www.designlights.org/>
3000K must be selected for IDA certification.

VMF - Electrical Load (A)

Ordering Nomenclature	System Watts	120V	208V	240V	277V	347V	480V
VMF-1-FM-48LC-3-4K	52	0.43	0.25	0.22	0.19	0.15	0.11
VMF-1-FM-48LC-5-4K	78	0.65	0.38	0.32	0.28	0.22	0.16
VMF-1-FM-48LC-7-4K	106	0.88	0.51	0.44	0.38	0.31	0.22
VMF-1-FM-48LC-10-4K	160	1.33	0.77	0.67	0.58	0.46	0.33
VMF-1-FM-64LC-3-4K	73	0.61	0.35	0.30	0.26	0.21	0.15
VMF-1-FM-64LC-5-4K	106	0.88	0.51	0.44	0.38	0.31	0.22
VMF-1-FM-64LC-7-4K	140	1.17	0.67	0.58	0.51	0.40	0.29
VMF-1-FM-64LC-10-4K	219	1.82	1.05	0.91	0.79	0.63	0.46
VMF-1-FM-80LC-3-4K	88	0.73	0.42	0.37	0.32	0.25	0.18
VMF-1-FM-80LC-5-4K	131	1.09	0.63	0.55	0.47	0.38	0.27
VMF-1-FM-80LC-7-4K	176	1.47	0.85	0.73	0.64	0.51	0.37
VMF-1-FM-96LC-3-4K	104	0.87	0.50	0.43	0.38	0.30	0.22
VMF-1-FM-96LC-5-4K	157	1.31	0.75	0.65	0.57	0.45	0.33
VMF-1-FM-96LC-7-4K	212	1.77	1.02	0.88	0.77	0.61	0.44

VMF LED Specifications

Photometric Optical Summary



EPA Data


2.47

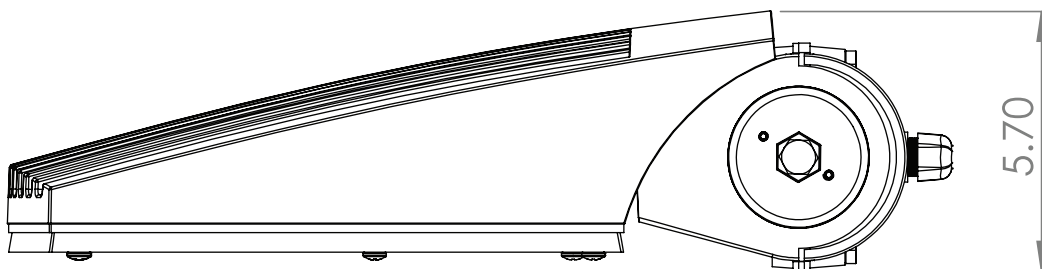
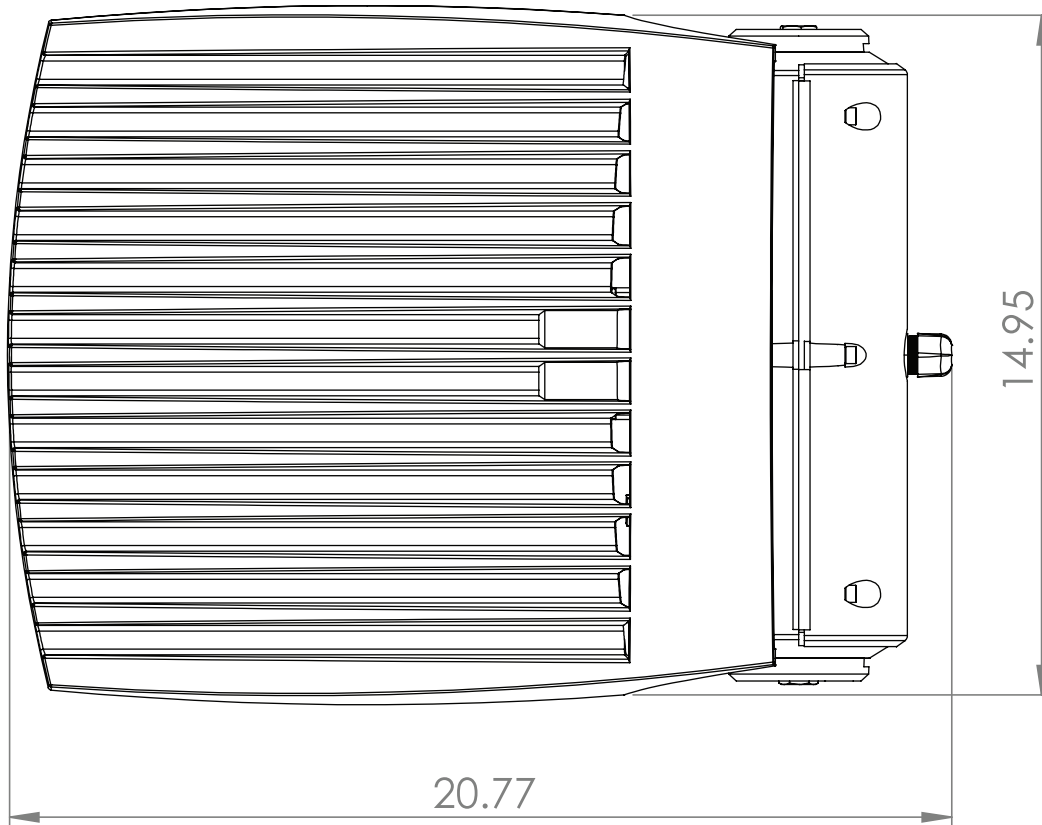
Dimensions

Width: VMF-1 15.5"

Depth: VMF-1 22"/30"

Height: VMF-1 5.5"

Weight: 45 LBS



LED Specifications **VMF**

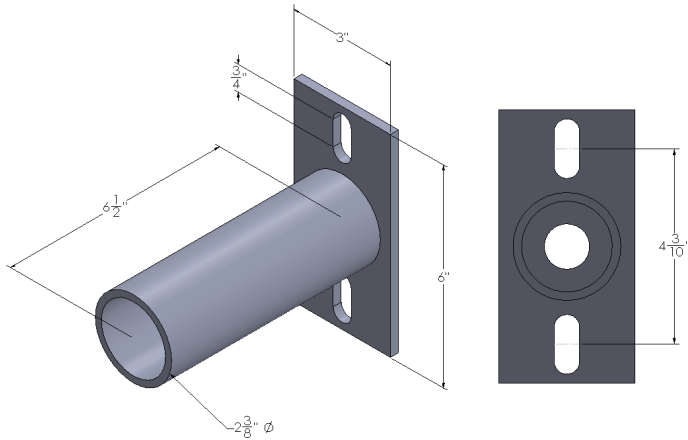
VMF 3K Lumen Data							VMF 3K LPW Data					
#LEDs	mA	7x5	7x7	FN	FM	Watts	#LEDs	mA	7x5	7x7	FN	FM
48	350	7230	7333	7688	7420	52	48	350	139	141	139	141
	530	9700	9838	10314	9954	78		530	124	126	124	126
	700	12646	12826	13447	12977	106		700	119	121	119	121
	1050	17316	17563	18413	17770	160		1050	108	110	108	110
64	350	9207	9338	9790	9448	73	64	350	126	128	126	128
	530	13612	13806	14474	13968	106		530	128	130	128	130
	700	16702	16940	17760	17140	140		700	119	121	119	121
	1050	22966	23293	24421	23568	219		1050	105	106	105	106
80	350	11385	11547	12106	11684	88	80	350	129	131	129	131
	530	16457	16691	17499	16888	131		530	126	127	126	127
	700	20584	20878	21888	21124	176		700	117	119	117	119
96	350	13564	13757	14423	13919	104	96	350	131	133	131	133
	530	19301	19576	20524	19807	157		530	123	125	123	125
	700	24467	24815	26017	25108	212		700	115	117	115	117
VMF 4K Lumen Data							VMF 4K LPW Data					
#LEDs	mA	7x5	7x7	FN	FM	Watts	#LEDs	mA	7x5	7x7	FN	FM
48	350	7611	7719	8093	7810	52	48	350	146	148	146	148
	530	10210	10356	10857	10478	78		530	131	133	131	133
	700	13311	13501	14154	13660	106		700	126	127	126	127
	1050	18227	18487	19382	18705	160		1050	114	116	114	116
64	350	9692	9830	10305	9946	73	64	350	133	135	133	135
	530	14328	14532	15236	14704	106		530	135	137	135	137
	700	17581	17831	18695	18042	140		700	126	127	126	127
	1050	24175	24519	25706	24808	219		1050	110	112	110	112
80	350	11985	12155	12744	12299	88	80	350	136	138	136	138
	530	17323	17569	18420	17777	131		530	132	134	132	134
	700	21668	21977	23040	22236	176		700	123	125	123	125
96	350	14277	14481	15182	14652	104	96	350	138	140	138	140
	530	20317	20607	21604	20850	157		530	130	132	130	132
	700	25755	26122	27386	26429	212		700	121	123	121	123
VMF 5K Lumen Data							VMF 5K LPW Data					
#LEDs	mA	7x5	7x7	FN	FM	Watts	#LEDs	mA	7x5	7x7	FN	FM
48	350	7303	7407	7766	7495	52	48	350	140	142	140	142
	530	9798	9937	10418	10054	78		530	126	127	126	127
	700	12773	12955	13583	13108	106		700	121	122	121	122
	1050	17491	17740	18599	17949	160		1050	109	111	109	111
64	350	9300	9433	9889	9544	73	64	350	128	130	128	130
	530	13749	13945	14620	14109	106		530	129	131	129	131
	700	16871	17111	17939	17313	140		700	121	122	121	122
	1050	23198	23529	24668	23806	219		1050	106	107	106	107
80	350	11500	11664	12229	11802	88	80	350	131	133	131	133
	530	16623	16860	17676	17058	131		530	127	129	127	129
	700	20792	21089	22109	21337	176		700	118	120	118	120
96	350	13701	13896	14568	14060	104	96	350	132	134	132	134
	530	19496	19774	20731	20007	157		530	124	126	124	126
	700	24714	25066	26280	25362	212		700	117	118	117	118

VMF LED Specifications

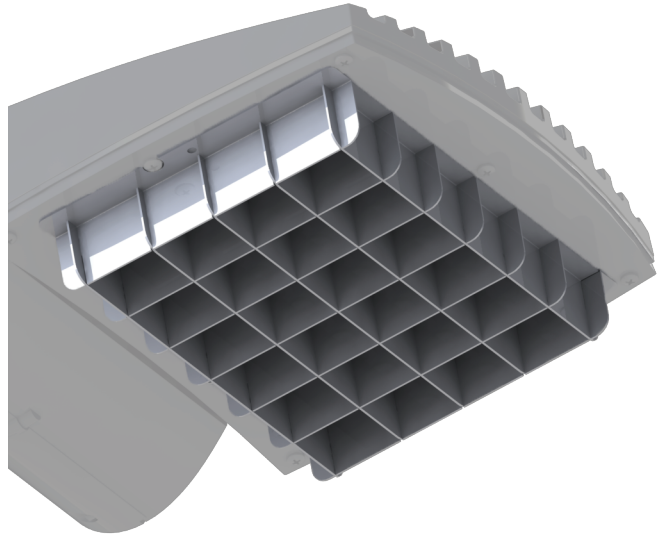
VMF Options

Universal Mast Arm Fitter

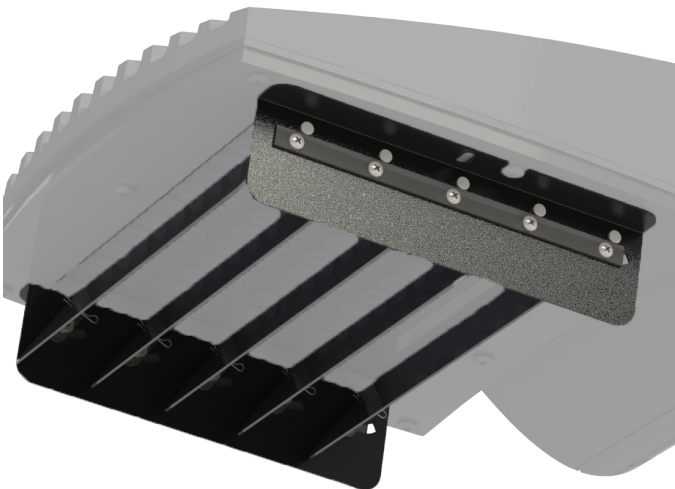
UMAP – The Universal Mast Arm Fitter is a simple solution for retrofit applications where a fixture needs to mount to an existing pole, the UMAP is meant to be use to with knuckle mounts and also Mast Arm Fitters. The UMAP has a bolt slot ranging from 7" all the way down to 3.5". The UMAP also has a Round Pole Plate Adaptor (RPP) for mounting to round poles.



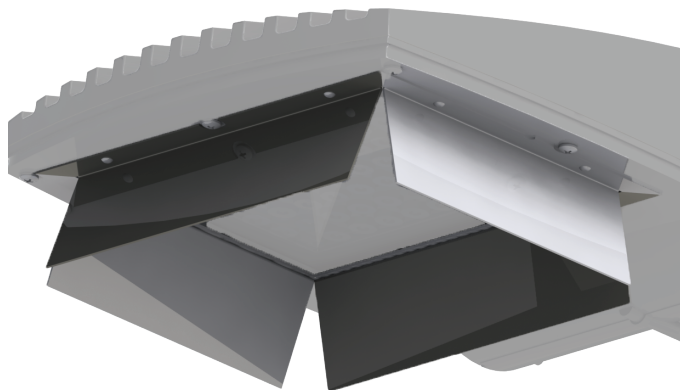
Egg Crate Light Shield



Adjustable Louver Light Shield

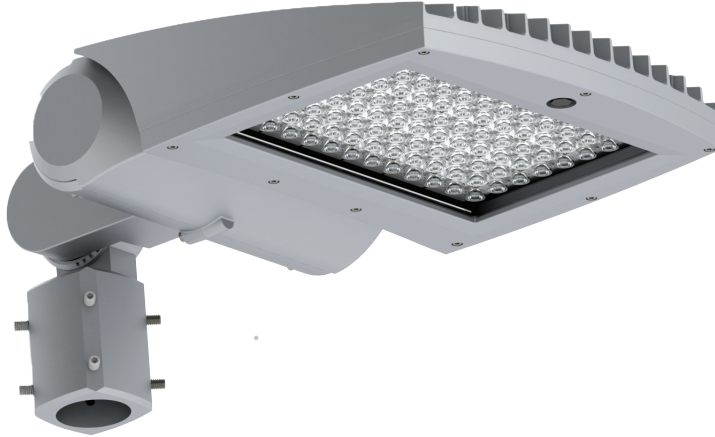


Barn Door Light Shield



VMF Mounting Options

Knuckle Mount



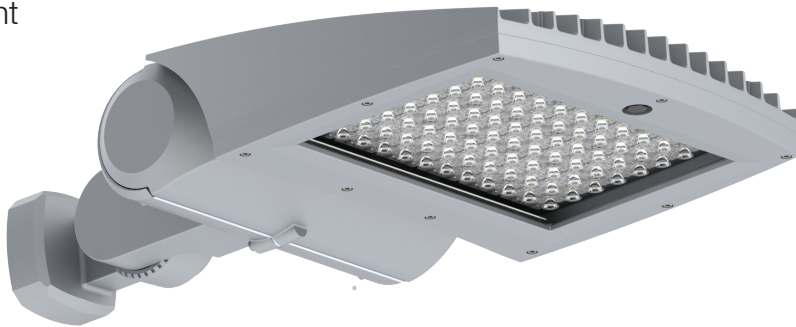
An adjustable knuckle slip fits over a 2-3/8" Tenon, and allows for up to 90 degrees of vertical adjustment in 10 degree increments from horizontal, as well as full side to side adjustment with the knuckle mount.

Trunnion Mount



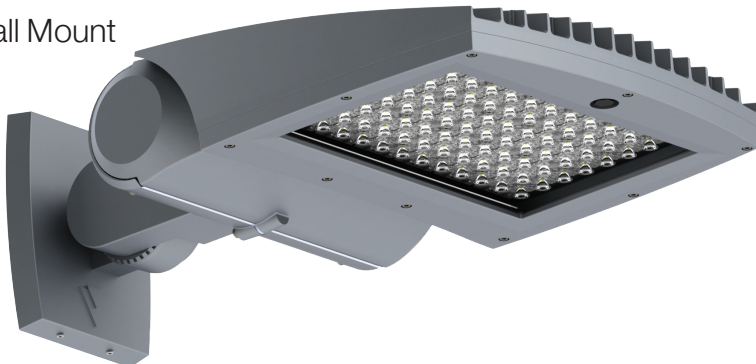
Trunnion Mount is adjustable up to 90 degrees in 5 degree increments.

Nipple Mount



An adjustable knuckle that threads onto a 3/4" NPT, and allows for up to 90 degrees of vertical adjustment in 10 degree increments from horizontal.

Adjustable Wall Mount



A Wall Mount that allows for up to 70 degrees of vertical adjustment in 10 degree increments from horizontal.