



VISIONAIRE LIGHTING

Performance In A Whole New Light®

***Automotive
Performance
Lighting***

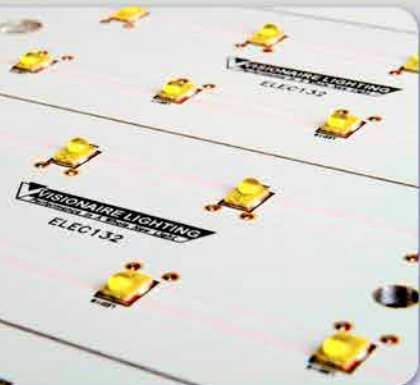


VISIONAIRE: LEADERS IN MODERN TECHNOLOGY

Visionaire Lighting is an industry leader with more than 13 years of experience transforming automotive dealerships with high-performance lighting design, using one-of-a-kind optics, and modern energy-savings LED and HID technology.

Visionaire fixtures feature patented optics in both new cutting edge LED options, as well as proven traditional HID, designed to provide outstanding presentation while dramatically reducing operating and energy costs.

Whether designing a custom retrofit project or managing new construction, Visionaire provides state-of-the-art technology and architectural styling for reliable results and superior customer satisfaction.



Visionaire Lighting is a leading manufacturer of high-performance, specification-grade LED & HID Outdoor Lighting fixtures & poles.

We specialize in Automotive Dealership Lighting, and have unique patented optical systems that are designed exclusively for the Automotive Dealership Market.

Visionaire has embraced the introduction of LED Technology to the lighting industry, and has enhanced capabilities in design, testing, manufacturing, and quality assurance of LED lighting systems.

Visionaire Lighting's Design and Applications Department utilizes cutting edge technology to provide our customers with complete engineering assistance as required.

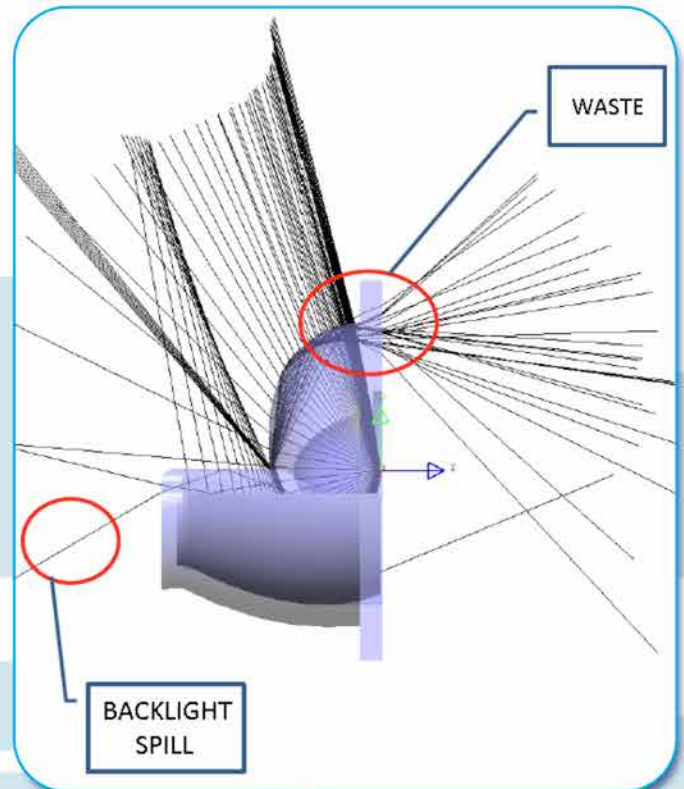
Please visit www.visionairelighting.com for an overview of our complete line of Outdoor Lighting products.



MODERN LED TECHNOLOGY



Visionaire LED technology is the industry's leading outdoor lighting alternative with an aluminum heat sink and 5-year driver guarantee for more than 100,000 hours of extended life. Visionaire's designer fixtures emit bright, concentrated light with consistent output for excellent uniformity, offering clients the finest selection for their modern outdoor automotive illumination needs.

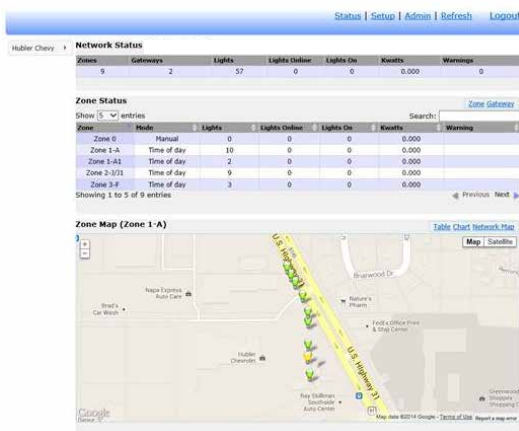


WIRELESS LED CONTROL SYSTEM

Introducing Visionaire's Wireless LED Control System

- Visionaire's innovative wireless control system uses wireless radio frequency (RF) signal to network individual lighting fixtures for smart control strategies.
- Each lighting assembly may contain a wireless receiver that controls the lighting level of that individual fixture; and receives its information from a cloud manager controller.
- Dimming delivers even further energy savings over the initial energy saved by retrofitting traditional lighting systems.
- The life of the LEDs and their electronic components are also further enhanced by optimizing the operational levels that they operate at; IE: dimming at midnight, etc.

CLOUD MANAGER: Utilizing a web-based central management program; all of your lighting can be programmed to dim to your required schedule; and controlled from any location with internet access; IE: your Computer, iPad, Smart Phone.



Vision-Net with Cloud Manager

The Cloud Manager is a web-based central management program; allowing the users to monitor and manage each individual lighting fixture or zones from any location with internet access. Each Cloud Manager can link and control up to 250 lighting fixtures. Multiple Cloud Manager systems can be combined to allow different facilities with additional fixtures, to be connected. The system identifies each light fixture by its pole ID and GPS coordinates; then overlays them in Google maps. Users can remotely configure the lighting operating schedules, dimming schedules, and event settings.

- Displays real-time energy usage by zone or for the entire network, along with light lifetime statistics
- Control modes include Sunrise-Sunset, Time of Day, and Manual, allowing for timed dimming, switching and motion-control settings
- Lights may be grouped together into independently controlled zones, based on user-defined strategies, to decrease energy usage and to increase safety.
- Programmed parameters are maintained throughout power outages.
- Automatic sunrise-sunset calculation based on GPS coordinates.
- Cloud Manager only consumes 4 Watts of power
- Power Input: 100-277, 480 VAC
- Operating temperature : -40C to 70C
- Web-based user interface can be accessed by most computer, tablet and smart phones.



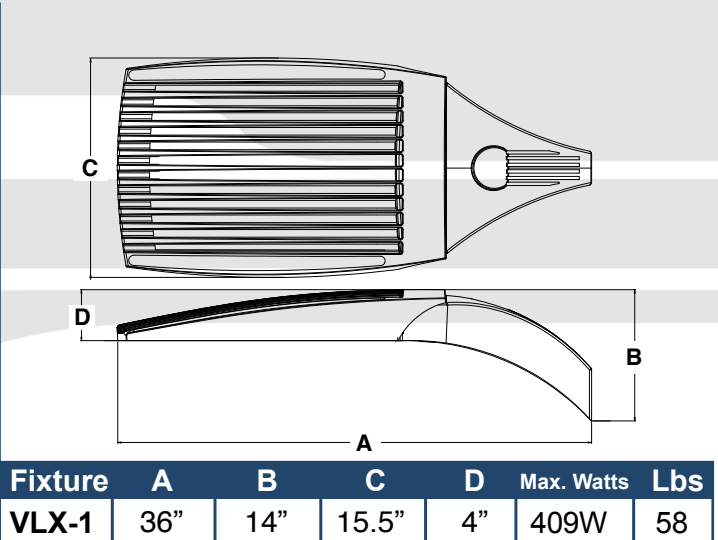
VLX

LED Luminaire

VLX™ is a high performance architectural LED luminaire with the flexibility to be used in all outdoor area lighting applications. Sleek design takes advantage of the low profile LED lamp technology. Superior thermal management allows for maximum LPW output. Die cast aluminum construction provides years of reliable operation. Six different IES light distribution patterns make the VLX ideal for any site.

Key Features:

- Die Cast aluminum housing
- Tool-less entry
- Integral heat sink
- Architecturally designed mounting arm
- Separate driver compartment
- Up to 1 amp operation
- 38,000+ lumen package
- 1,000W metal halide replacement
- Dimming capable



The new VLX LED Series offers clean, functional styling that is defined by its sleek low profile design and rugged construction. It combines LED performance and advanced LED thermal management technology and provides outdoor lighting that is both energy efficient and aesthetically pleasing.

The LED's performance and the driver's life are maximized by enclosing them in two separate die cast aluminum housings. Easy tool-less access for mounting and maintenance.

The LED light assemblies come with 64 to 192 LEDs. Six optical distribution patterns are available. Choose between 4000 or 5000 Kelvin temperature of the LEDs.

A durable polyester powder coat finish is guaranteed for five years; and is available in standard or custom colors.

The VLX LED series is an exceptional choice for commercial parking lots, office complexes, architectural projects, and other general lighting projects.

Model	Optics	Source	Current	Kelvin	Voltage	Mounting	Finish	Options
VLX-1	Type II (T2)	# of LEDs 64 (64LC)	mA 350 (3)	4000K *Neutral white (4K)	120-277 *Universal voltage (UNV)	Arm Mount (AM)	Bronze (BZ)	Photocell & Receptacle *Specify voltage (PCR120) (PCR208) (PCR240) (PCR277)
	Type III (T3)	96 (96LC)	530 (5)	5000K *Cool white (5K)	480 (5) Not available in 1 amp	Wall Mount *Cast Wall Plate (BAWP) to be ordered separately (WM)	Black (BK)	Photo Receptacle (PER) *With shorting cap
	Type IV (T4)	128* (128LC)	700 (7)		347 (8) Not available in 1 amp		Smooth Black (SBK)	Round Pole Plate Adaptor For 3"Ø Pole (RPP3) For 4"Ø Pole (RPP4) For 5"Ø Pole (RPP5)
	Type IV-A (T4A)	160* (160LC)	1000* (10)				White (WH)	Cast Wall Plate (BAWP)
	Type IV-AR (T4AR)	192* (192LC)					Smooth White (SWH)	0-10v Dimming Driver No Controls (DIM)
	Type IV-AL (T4AL)						Graphite (GP)	Motion Sensor (MS) *Pole Mount Only
	Type V (T5)						Grey (GY)	Wireless Control Consult Factory (WC)
	Type V-W (T5W)						Silver Metallic (SL)	Universal Pole Mount Adaptor (UPMA)
							Custom Color (CC)	

*1000 mA NOT AVAILABLE FOR 128LC, 160LC OR 192LC

VLX DRILL DIAGRAM

Round Pole Plate Adaptors (RPP) are to be ordered separately.

VLX

LED Luminaire

192 LEDs 700mA 409W



FRONT ROW 40' SPACING, INTERIOR ROW 65' SPACING

Calculation Summary							
Label	CalcType	Units	Avg	Max	Min	Avg/Min	Max/Min
CalcPts	Illuminance	Fc	25.62	81.1	0.0	N.A.	N.A.
Front Row	Illuminance	Fc	71.68	81.1	61.7	1.16	1.31
Interior Rows	Illuminance	Fc	24.42	28.9	10.4	2.35	2.78

Luminaire Schedule					
Symbol	Qty	Label	Arrangement	LLF	Description
	6	A	D180	1.000	Visionaire VLX-1-T4A-192LC-7-5K-ROTATED @ 25' mtg. ht.
	4	G	3 @ 120 DEGREES	1.000	Visionaire VLX-1-T5W-192LC-7-5K-3@120° @ 25' mtg. ht.

VLX LUMEN DATA										
# of LED's	KELVIN	mA	TYPE 1	TYPE 2	TYPE 3	TYPE 4	TYPE 4A	TYPE 5	TYPE 5W	WATTAGE
192	5000K	350	20,485	20,910	18,659	20,378	19,979	22,771	22,291	202
		530	28,458	29,049	25,921	28,310	27,755	31,634	30,967	306
		700	35,042	35,770	31,918	34,860	34,177	38,953	38,132	409

Visit www.VisionaireLighting.com for up-to-the-minute chart information, including types not listed here.



96 LEDs 1000mA 328W



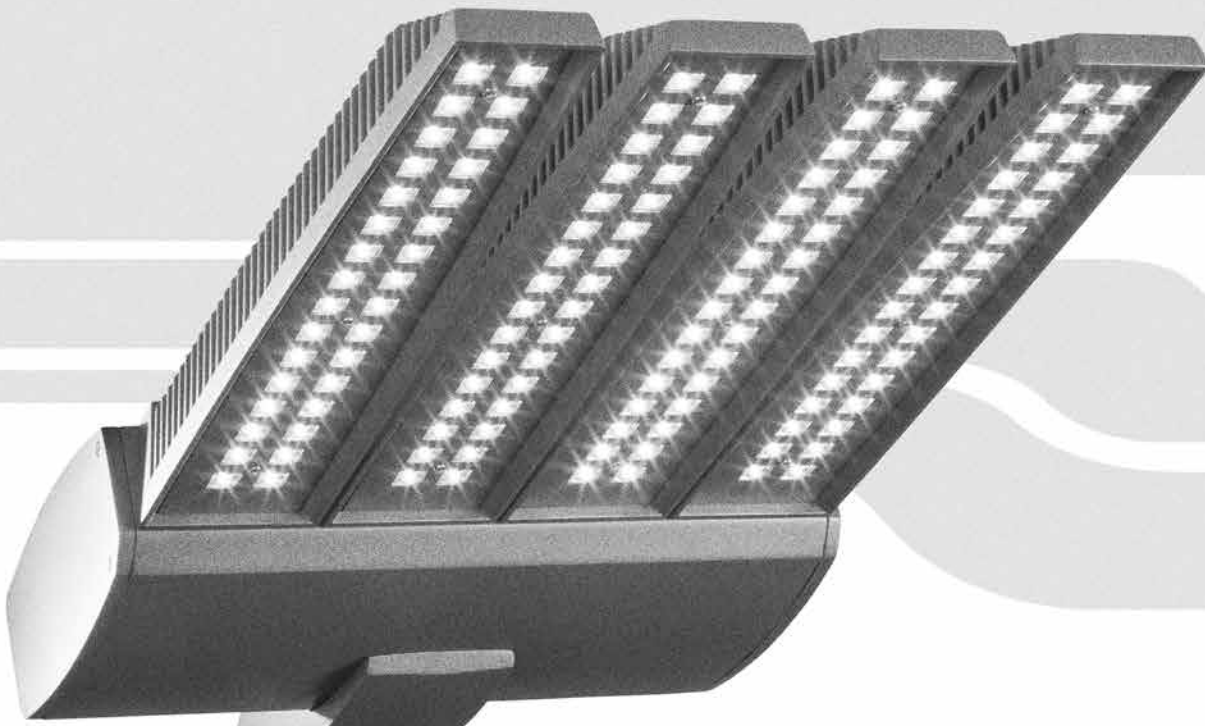
FRONT ROW 40' SPACING, INTERIOR ROW 65' SPACING

Calculation Summary							
Label	CalcType	Units	Avg	Max	Min	Avg/Min	Max/Min
CalcPts	Illuminance	Fc	18.79	59.4	0.0	N.A.	N.A.
Front Row	Illuminance	Fc	52.56	59.4	45.2	1.16	1.31
Interior Rows	Illuminance	Fc	17.90	21.2	7.7	2.32	2.75

Luminaire Schedule					
Symbol	Qty	Label	Arrangement	LLF	Description
	6	A	ROTATED OPTICS	1.000	Visionaire VLX-1-T4A-96LC-10-5K-ROTATED @ 25' mtg. ht.
	4	G	3 @ 120 DEGREES	1.000	Visionaire VLX-1-T5W-96LC-10-5K-3@120° @ 25' mtg. ht.

VLX LUMEN DATA										
# of LED's	KELVIN	mA	TYPE 1	TYPE 2	TYPE 3	TYPE 4	TYPE 4A	TYPE 5	TYPE 5W	WATTAGE
96	5000K	350	11,503	11,742	10,477	11,443	11,219	12,786	12,517	108
		530	16,194	16,530	14,750	16,109	15,794	18,001	17,621	163
		700	20,547	20,973	18,715	20,440	20,039	22,893	22,358	215
		1000	25,691	26,224	23,400	25,557	25,057	28,558	27,956	328

Visit www.VisionaireLighting.com for up-to-the-minute chart information, including types not listed here.



BOW LX

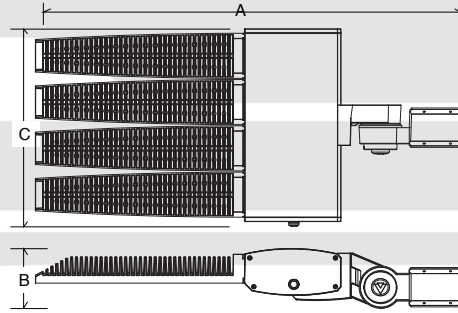
LED Luminaire

The BOW LX uses the successful BOW components to create a 18,00 to 65,000+ lumen site lighting package for high light level LED applications. A dedicated heat sink for each LED array maximizes the thermal management characteristics of the BOW LX. An adjustable knuckle slip fits over a 2 3/8" Tenon, and allows for up to 90° degrees of vertical adjustment in 10° degree increments from horizontal, as well as full side to side adjustment.

Key Features:

- Die cast & extruded aluminum housings
- Integrated heat sink
- Field adjustable knuckle
- Quick Install
- 1 Amp operations
- 6 IES optic patterns
- 18,000 to 65,000+ lumen packages
- 4X, 6X or 8X LED Array design
- Ideal for Automotive and large site light projects
- Dimming Capable

BOW LX LED



Fixture	A	B	C	Max. Watts	Lbs
BLX-4	37"	5"	17"	427	48
BLX-6	37"	5"	25"	640	72
BLX-8	37"	5"	33"	879	96

The new BOW LX LED Series continues the unique contemporary design inspired by the sleek styling of the BOW family. Separating the extruded aluminum driver housing and the individual die-cast aluminum linear LED engines: optimize the life of the LEDs and the Driver(s); and maximizes the lumen output of the fixture. The adjustable knuckle allows for up to 90° degrees of vertical adjustment for putting the light exactly where you need it.

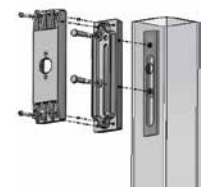
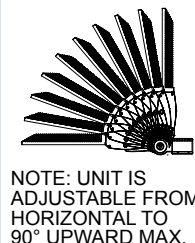
Each of the individual LED light engines come with 32 LEDs; for a max total of 256 LEDs. Six optical distribution patterns are available.

A unique Type 4-A automotive distribution pattern is available for the front rows of Auto Dealerships. Available in 4000 or 5000 Kelvin temperature.

A durable polyester powder coat finish is guaranteed for five years; and is available in standard or custom colors.

The BOW LX LED series is an exceptional choice for auto dealerships, shopping centers, commercial parking lots and general area lighting.

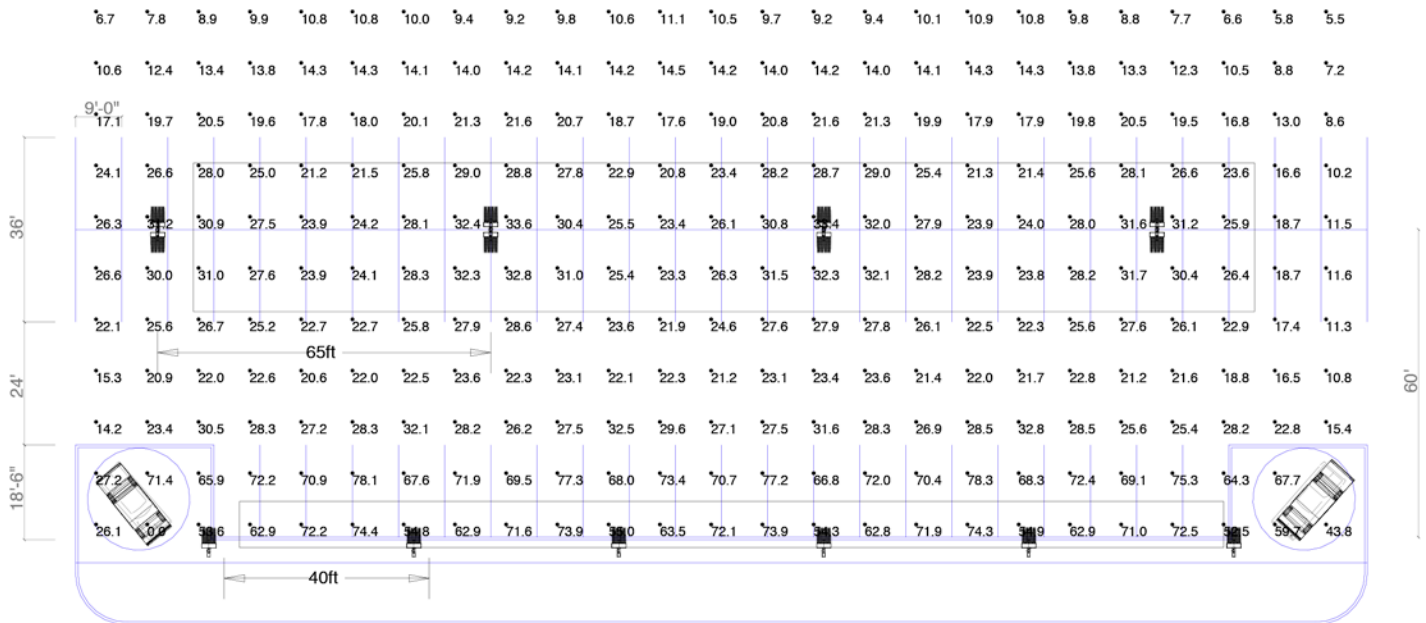
Model	Optics	Source	Current	Kelvin	Voltage	Mounting	Finish	Options
BLX-4	Type II (T2)	# Of LEDs 128 (128LC)	mA 530 (5)	4000K <small>*Neutral white</small> (4K)	120-277 <small>*Universal Voltage</small> (UNV)	Knuckle Mount <small>*Slips over 2 3/8" Tenon with adjustable Increments of 10"</small> (KM)	Bronze (BZ)	Photocell & Receptacle <small>*Specify voltage</small> (PCR120) (PCR208) (PCR240) (PCR277)
	Type III (T3)			5000K <small>*Cool white</small> (5K)			480 (5)	
BLX-8	Type IV (T4)	256 (256LC)	1000 (10)		347 (8)	Wall Mount (WM) Adjustable Wall Mount (AWM)	Smooth Black (SBK)	Round Pole Plate Adaptor For 4"Ø Pole (RPP4) For 5"Ø Pole (RPP5) Universal Pole Mount Adaptor (UPMA)
	Type IV-A (T4A)						White (WH)	
	Type V (T5)						Smooth White (SWH)	
	Type V-W (T5W)						Graphite (GP)	
							Grey (GY)	
							Silver Metallic (SL)	
	Custom Color (CC)							



BOW LX

LED Luminaire

BOW LX 8 - 256 LEDs 1Amp 879W



FRONT ROW 40' SPACING, INTERIOR ROW 65' SPACING

Calculation Summary							
Label	CalcType	Units	Avg	Max	Min	Avg/Min	Max/Min
CalcPts	Illuminance	Fc	29.12	78.3	0.0	N.A.	N.A.
Front Row	Illuminance	Fc	66.41	74.4	54.3	1.22	1.37
Interior Rows	Illuminance	Fc	27.32	33.6	20.8	1.31	1.62

Luminaire Schedule					
Symbol	Qty	Label	Arrangement	LLF	Description
	6	A	SINGLE	1.000	Visionaire BOW-LX-8-T4A-256LC-10-5K-SINGLE @ 25' MTG. HT.
	4	D	BACK-BACK	1.000	Visionaire BOW-LX-8-T5W-256LC-10-5K-TWIN @ 25' MTG. HT.

BOW LX 5K Lumen Data								
# LEDs	mA	Type 2	Type 3	Type 4	Type 4A	Type 5	Type 5W	Watts
256	530	41,119	37,887	42,027	44,735	50,356	43,209	425
	700	50,294	46,340	51,404	54,717	61,592	52,850	564
	1000	62,416	57,510	63,794	67,904	76,437	65,588	879

Visit www.VisionaireLighting.com for up-to-the-minute chart information, including types not listed here.

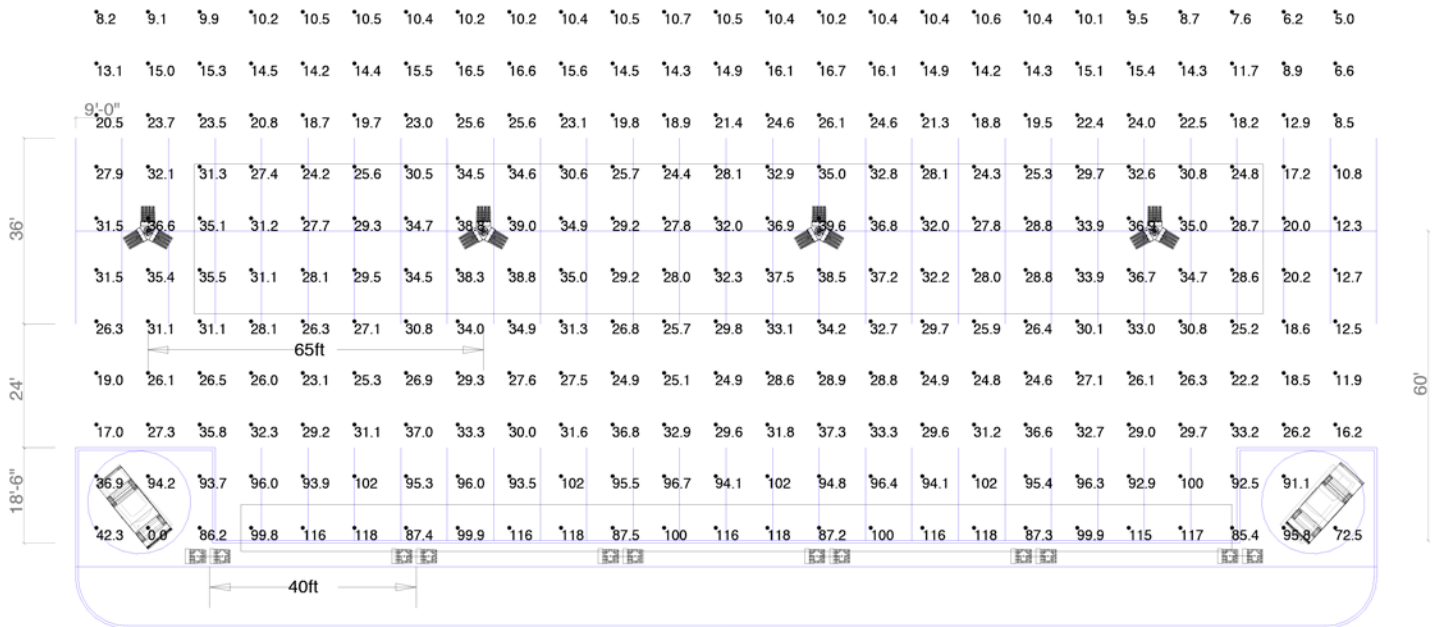
* For 4000K multiply values by 0.90



BOW LX

LED Luminaire

BOW LX 6 - 192 LEDs 1Amp 614W



FRONT ROW 40' SPACING, INTERIOR ROW 65' SPACING

Calculation Summary							
Label	CalcType	Units	Avg	Max	Min	Avg/Min	Max/Min
CalcPts	Illuminance	Fc	37.16	118	0.0	N.A.	N.A.
Front Row	Illuminance	Fc	106.16	118	87.2	1.22	1.35
Interior Rows	Illuminance	Fc	31.84	39.6	24.2	1.32	1.64

Luminaire Schedule					
Symbol	Qty	Label	Arrangement	LLF	Description
	6	A	D180	1.000	Visionaire BOW-LX-6-T4A-192LC-10-5K-ROTATED @ 25' MTG. HT.
	4	F	3 @ 120 DEGREES	1.000	Visionaire BOW-LX-6-T5W-192LC-10-5K-T120° @ 25' MTG. HT.

BOW LX 5K Lumen Data								
# LEDs	mA	Type 2	Type 3	Type 4	Type 4A	Type 5	Type 5W	Watts
192	530	30,839	28,415	31,520	33,551	37,767	32,407	325
	700	37,721	34,755	38,553	41,037	46,194	39,638	430
	1000	46,812	43,132	47,845	50,928	57,328	49,191	614

Visit www.VisionaireLighting.com for up-to-the-minute chart information, including types not listed here.

* For 4000K multiply values by 0.90



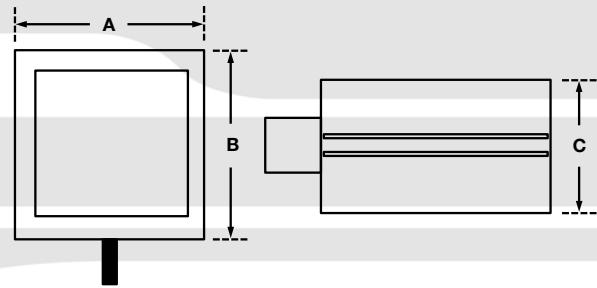
American

LED Luminaire

American LED utilizes the popular site lighting shape that will integrate nicely in any parking area. The high performance of the American LED allows for great light levels AND great aesthetics in one fixture package.

Key Features:

- Aluminum housing with stainless steel hardware
- 9,000 to 33,00+ Lumen
- 250 MH, 400 MH or 1000 MH replacements
- No Maintenance for over 15 years
- Retrofit kit installs in 5 min
- Various Mounting options
- Dimming Capable



Fixture	A	B	C	Stripe	Max. Watts	Lbs.
AME-2-L	19"	19"	12"	2"	238 W	29
AME-4-L	23"	23"	15"	2"	373 W	48

The new American LED Luminaire from Visionaire combines contemporary design with new LED technology; while maintaining a traditional fixture image. The LEDs Performance and Life are maximized by the unique integral aluminum heat sink built into the door frame. Maintenance of the drivers is simplified by making them easily accessible and provided with quick wiring connections.

Up to 224 LEDs are available in 350 or 530 mA rating providing up to 33,000 lumens. Six optical distribution patterns are available and feature a unique Type

T-4A automotive pattern for the front row of auto dealerships. Choose between 4000 or 5000 Kelvin temperature of the LEDs.

A durable Polyester powder coat finish is guaranteed for five years; and is available in standard or custom colors.

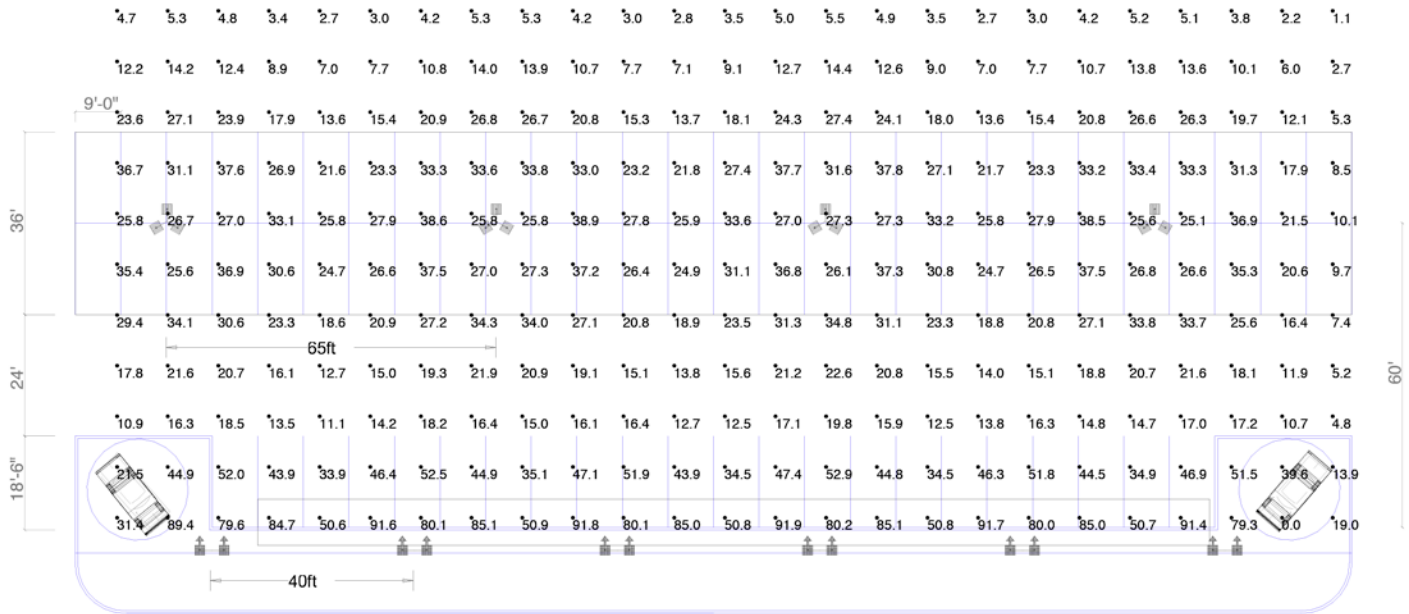
The American LED series is an exceptional choice for auto dealerships, shopping centers, commercial parking lots and general parking area lighting.

Model	Optics	Source	Current	Kelvin	Voltage	Mounting	Finish	Options
AME-2-L	Type II (T2)	# of LEDs 72 (72LC)	mA 350 (3)	4000K *Neutral white (4K)	120-277 *Universal voltage (UNV)	Bolt-On Arm 6" (BOA6)	Bronze (BZ)	<u>Photocell & Receptacle</u> *Specify voltage (PCR120) (PCR208) (PCR240) (PCR277) Photo Receptacle (PER) *With shorting cap <u>Button Type Photocell</u> *Specify voltage (PC120) (PC208) (PC240) (PC277) House Side Light Shield (LS) <u>Round Pole Plate Adaptor</u> For 4" Ø Pole (RPP4) For 5" Ø Pole (RPP5) 0-10v Dimming Driver No Controls (DIM) Motion Sensor (MS) *Pole Mount Only Wireless Controls Consult Factory (WS)
	Type III (T3)		530 (5)	5000K *Cool white (5K)	480 (5)	Bolt-On Arm 10" (BOA10)	Black (BK)	
	Type IV (T4)	144 (144LC)			347 (8)	Knuckle Mount (KM)	Smooth Black (SBK)	
	Type IV-A (T4A)					Wall Mount *Cast Wall Plate (BAWP) to be ordered separately (WM)	White (WH)	
AME-4-L	Type IV-A (T4A)	224 (224LC)				Spider Mount Fits 2 3/8" O.D. (SM)	Smooth White (SWH)	
	Type V (T5)						Graphite (GP)	
	Type V-W (T5W)						Grey (GY)	
							Silver Metallic (SL)	
						Custom Color (CC)		
						Round Pole Plate Adaptors (RPP) are to be ordered separately.		

American

LED Luminaire

AME 4 - 224 LEDs 530mA 337W



FRONT ROW 40' SPACING, INTERIOR ROW 65' SPACING

Calculation Summary							
Label	CalcType	Units	Avg	Max	Min	Avg/Min	Max/Min
CalcPts	Illuminance	Fc	26.46	91.9	0.0	N.A.	N.A.
Front Row	Illuminance	Fc	76.71	91.9	50.6	1.52	1.82
Interior Rows	Illuminance	Fc	28.79	38.9	8.5	3.39	4.58

Luminaire Schedule					
Symbol	Qty	Label	Arrangement	LLF	Description
	6	A	D180	1.000	Visionaire AME-4-T4A-224LC-5-5K-ROTATED @ 25' mtg. ht.
	4	F	3 @ 120 DEGREES	1.000	Visionaire AME-4-T5W-224LC-5-5K-T120° @ 25' mtg. ht.

American LED LUMEN DATA									
# of LEDs	Kelvin	mA	Type 2	Type 3	Type 4	Type 4A	Type 5	Type 5W	Watts
224	5000	350	22993	20319	22805	21919	24905	24825	250
		530	30678	27111	30428	29226	33230	33122	373

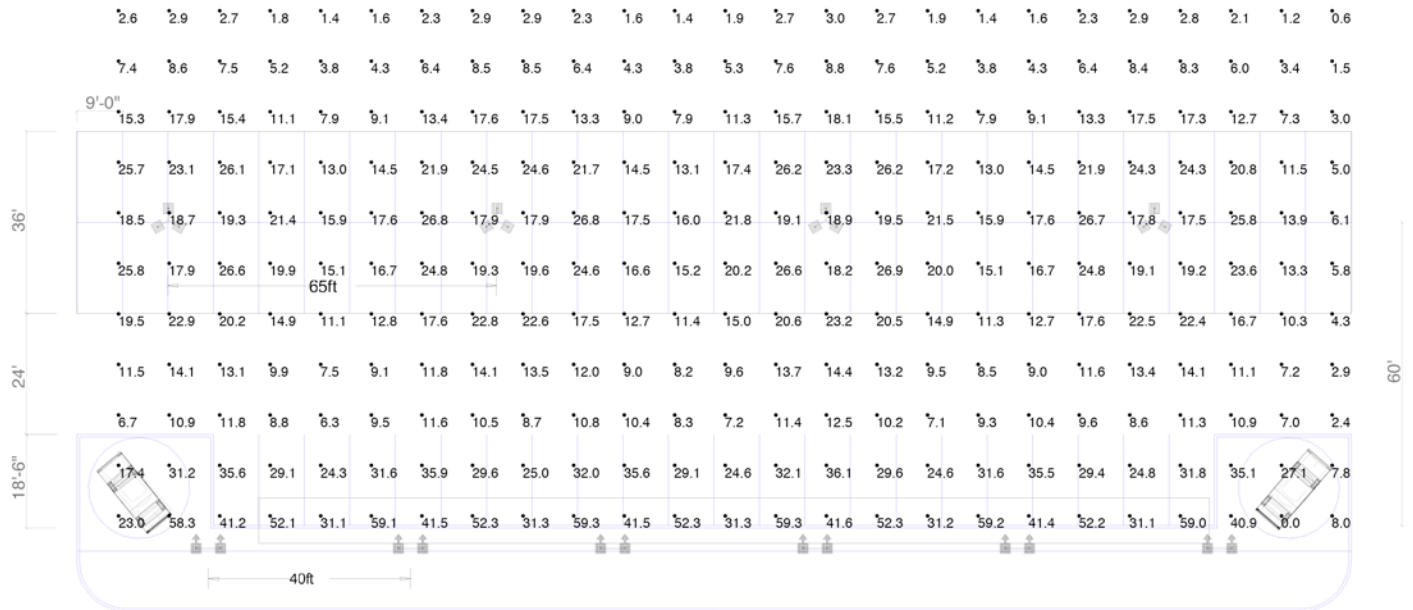
Visit www.VisionaireLighting.com for up-to-the-minute chart information, including types not listed here.
* For 4000K multiply values by 0.90



American

LED Luminaire

AME 2 - 144 LEDs 530mA 238W



FRONT ROW 40' SPACING, INTERIOR ROW 65' SPACING

Calculation Summary							
Label	CalcType	Units	Avg	Max	Min	Avg/Min	Max/Min
CalcPts	Illuminance	Fc	16.99	59.3	0.0	N.A.	N.A.
Front Row	Illuminance	Fc	46.27	59.3	31.1	1.49	1.91
Interior Rows	Illuminance	Fc	19.38	26.9	5.0	3.88	5.38

Luminaire Schedule

Symbol	Qty	Label	Arrangement	LLF	Description
	6	A	D180	1.000	Visionaire AME-2-T4A-144LC-5-5K-ROTATED @ 25' mtg. ht.
	4	F	3 @ 120 DEGREES	1.000	Visionaire AME-2-T5W-144LC-5-5K-T120° @ 25' mtg. ht.

American LED LUMEN DATA

# of LEDs	Kelvin	mA	Type 2	Type 3	Type 4	Type 4A	Type 5	Type 5W	Watts
144	5000	350	16423	14513	16289	15656	17789	17732	160
		530	21913	19365	21734	20876	23736	23659	238

Visit www.VisionaireLighting.com for up-to-the-minute chart information, including types not listed here.
 * For 4000K multiply values by 0.90

American Retrofit

LED Luminaire



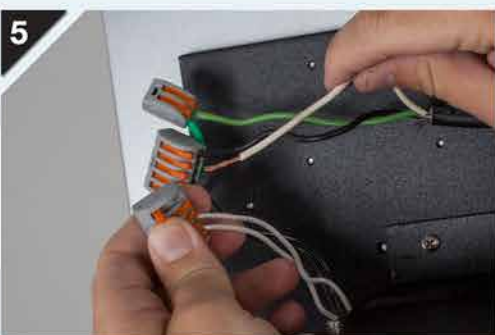
American Size 2 Shown

Designed to be incredibly simple to retrofit existing Visionaire American “AME-2” or “AME-4” HID fixtures. Instantly reduce your energy load and start saving money, while maintaining the fixture’s integrity and applicable electrical listings like ETL; as well as any product warranties that may exist. That is something third party retrofits cannot do. The new American LED Retrofit Door is one-piece, compact, and self-contained; and requires no assembly before installation. Simply remove it from its protective shipping carton, and you are ready to complete the installation.

To install the LED assembly; you first remove and discard the existing American “AME-2” or “AME-4” door, reflector, and ballast. Install the new LED door assembly onto the existing hinge pins of the existing fixture; make the electrical connection, and close the door.

Done in five minutes or less! Instant energy savings! Eliminate your maintenance headaches for the next 10 years or more!

RETROFIT INSTALLATION INSTRUCTIONS



To avoid possible risk of fire or shock turn power off prior to installation or maintenance preferably at circuit breaker. Product must be installed per all NEC and/or local electrical codes.

INSTALLATION

1. Undo door lock-screw completely until door is released, swing door open and slide to remove from fixture.
2. Release optics from luminaire housing by turning all four quarter turn fasteners.
3. Remove the electrical quick dis-connect assembly and discard optics appropriately.
4. Remove HID ballast and all old electrical components and discard appropriately.
5. Slide LED retrofit door frame on to existing hinge and proceed to verify wattage against label installed on luminaire making all electrical connections per NEC and/or any applicable local codes.
6. Swing up LED retrofit and secure using lock screw to complete door frame installation.

American Size 2 Shown



- Don't put HID components in the trash (reflector, ballast and lamp)
- Recycle at your local collection agency.
- For lamp disposals, visit www.lamprecycle.org



VISIONAIRE LIGHTING
Performance In A Whole New Light[®]

19645 Rancho Way . Rancho Dominguez, CA 90220
310.512.6480
www.VisionaireLighting.com