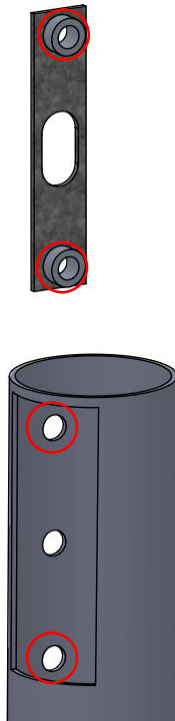


CON-2-L BOA10 RPP Installation Instruction

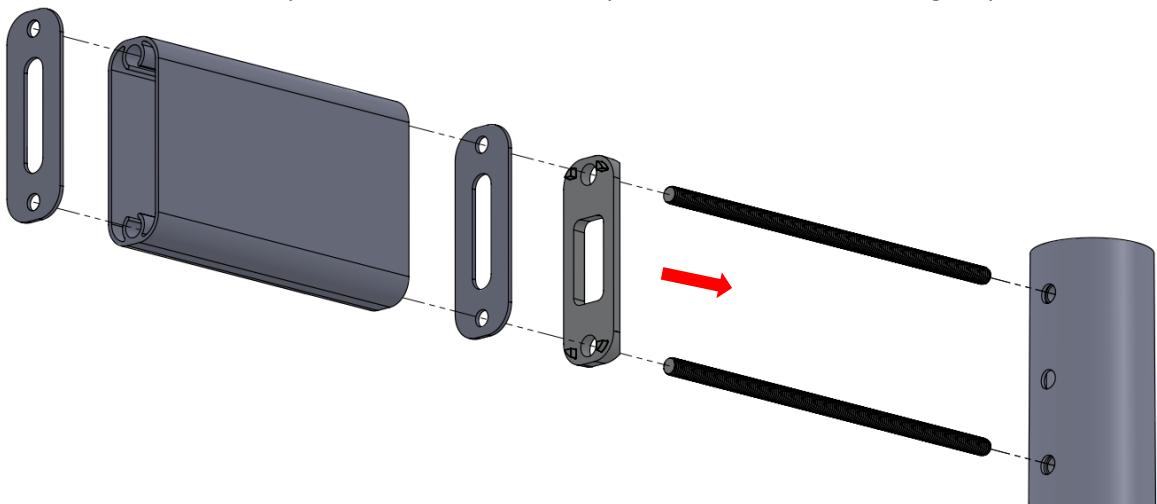
All installation work must be performed by a qualified, certified electrician.

Caution! Disconnect all power before installation.

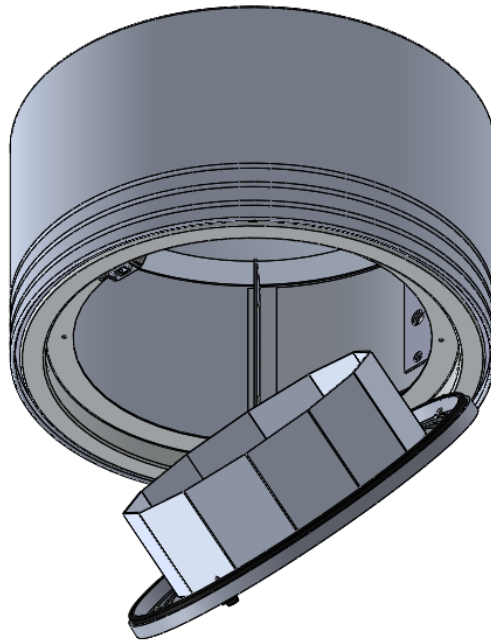
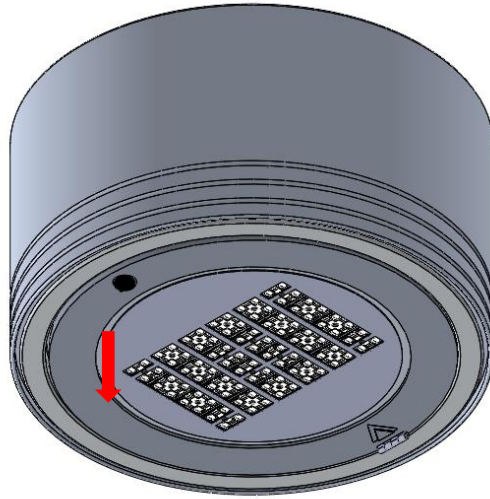
1. Align (1X) steel bracket provisions to pole holes (marked in red). Place (1X) steel bracket into the pole



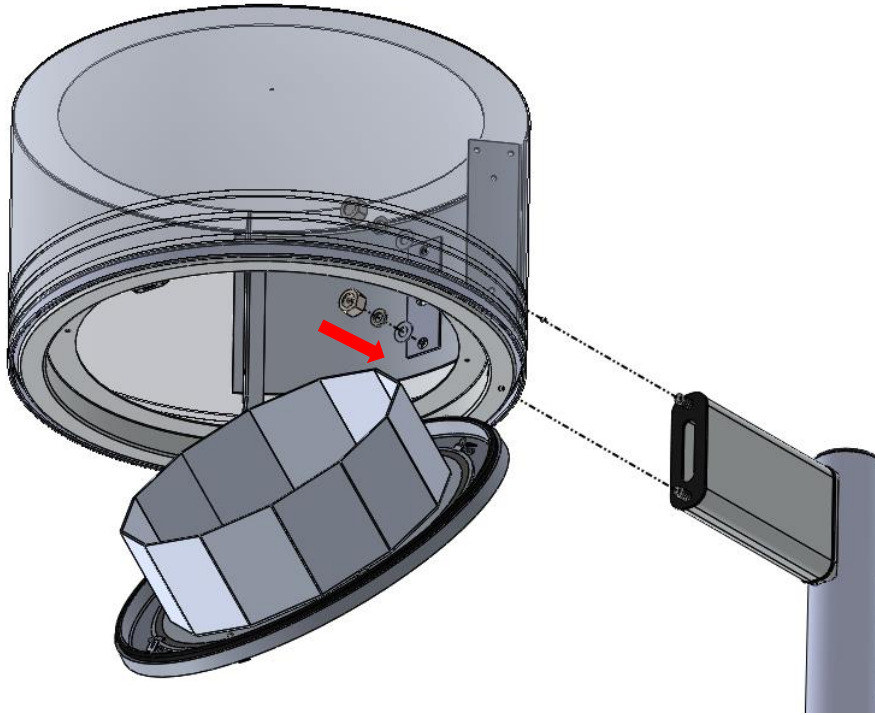
2. Align (2X) gaskets, (1X) bolt on arm, (1X) round pole plate adaptor and (2X) threaded rods, pole holes and steel bracket provisions. Fasten the components to secure mounting on pole.



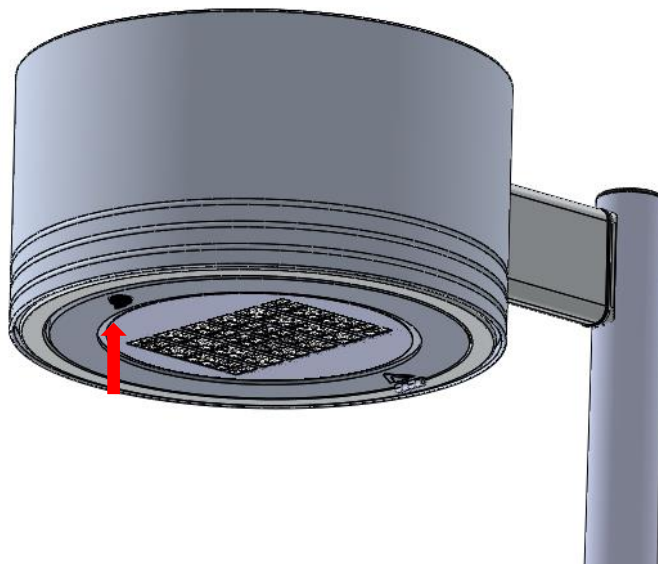
3. Turn right the latch (1X) to open the door of CON-2-L luminaire.



4. Align (2X) threaded rods, CON-2-L housing provisions, (2X) flat washers, (2X) lock washers and (2X) hex nuts. Fasten the components to secure CON-2-L housing to bolt on arm.



5. Align (1X) latch to door provision. Turn right the latch (1X) to close the door.



6. Final assembly.

