

BSX-II LED Specifications

Shown with optional Decorative Shroud



Project Name:

Catalog Number:

Type:

The new **BOW SX LED** Series continues the unique contemporary design inspired by the sleek styling of the BOW family. Separating the extruded aluminum driver housing and the individual die-cast aluminum linear LED engines: optimize the life of the LEDs and the Driver(s); and maximizes the lumen output of the fixture.

Each of the individual LED light engines come with 16 LEDs; for a max total of 64 LEDs. Nine optical distribution patterns are available.

Available in 3000, 4000 or 5000 Kelvin temperature. A durable polyester powder coat finish is guaranteed for five years; and is available in standard or custom colors.

The **BOW SX LED** series is an exceptional choice for shopping centers, schools, office buildings, and general area lighting.

Ordering Information

MODEL	OPTICS	SOURCE	CURRENT	KELVIN	VOLTAGE	MOUNTING	FINISH	OPTIONS	OPTIONS
BSX-II-2	T1 Type 1	32LC	3 350mA	3K 3000K	UNV 120-277V	PT Post Top	GY Grey	PCR-120 PCR-208 PCR-240 PCR-277 PCR-347 PCR-480 Photocell & Receptacle	DIM 0-10v Dimming Driver No Controls
BSX-II-3	T2 Type 2	48LC	5 530mA	4K 4000K	8 347V	MA Mast Arm Fitter	SL Silver Metallic	WSC-8 Motion Sensor 8' Mounting Height	
BSX-II-4	T3 Type 3	64LC	7 700mA	5K 5000K	5 480V	KM Knuckle Mount	BK Black	WSC-20 Motion Sensor 9-20' Mounting Height	
	T4 Type 4		10 1050mA			BOA Bolt-On Arm	SBK Smooth Black	PER 5PINPER 7PINPER 3, 5, or 7 Pin Photo Receptacle w/shorting cap Requires Dimming Driver	WSC-40 Motion Sensor 21-40' Mounting Height
	T4A Type 4 Automotive					TM Trunnion Mount	WH White		*The WSC option will require (1) FSIR 100 remote for programming
	T5 Type 5					WM Wall Mount	SWH Smooth White		
	T5W Type 5 Wide					AWM Adjustable Wall Mount	BZ Bronze	DS Decorative Shroud	
	T5WR Type 5 Wide Round						GP Graphite	RPP Round Pole Plate Adaptor For 3"Ø - 5"Ø Pole	ROT-R Rotated Optics Right Side
	FN Flood Narrow						CC Custom Color		ROT-L Rotated Optics Left Side
	FM Flood Medium							UPMA-S Universal Square Pole Mount Adaptor	VWC Visionaire Wireless Controls *Consult Factory
								UPMA-R Universal Round Pole Mount Adaptor	

Features & Specifications

BSX-II

Housing

The LED light engines are constructed of heavy-duty, die-cast aluminum, with external heat radiating fins.

Driver Compartment

The separate driver housing is constructed of extruded aluminum, with vented cast aluminum end covers and stainless steel fasteners; for easy access to the LED driver(s); allowing for cooler operation and longer driver life. One-piece gasketing is utilized throughout the fixture for weather tight operation.

Thermal Management

- The BOW SX Series provides excellent overall thermal management by maximizing the fixture's heat sink capabilities. This enables the BOW SX Series to withstand higher ambient temperatures and drive currents without degrading LED life.
- The L70 test determines the point in an LEDs life when it reaches 70 percent of its initial output. The BOW SX Series LEDs have been determined to last a minimum of 100,000 hours in 25°C environments when driven at 350 mA.

Optical System

- The highest lumen output, LEDs are utilized in the BOW SX Series. IES distribution Types 1, 2, 3, 4, 4A, 5, 5W, FN and FM are available. LED light engines come in multiples of 16 LEDs.
- CRI values are 70.

Quali-Guard® Finish

- The finish is a Quali-Guard® textured, chemically pretreated through a multiple-stage washer, electrostatically applied, thermoset polyester powder coat finish, with a minimum of 3-5 millimeter thickness. Finish is oven-baked at 400 °F to promote maximum adherence and finish hardness.
- All finishes are available in standard and custom colors.
- Finish is guaranteed for five (5) years.

Mounting

- An adjustable knuckle slip fits over a 2 3/8" Tenon, and allows for up to 50° degrees of vertical adjustment in 10° degree increments from horizontal, as well as full side to side adjustment with the knuckle mount.
- A round extruded 6" aluminum, Bolt -On Arm (BOA) with an in-pole nut plate. A Round Pole Plate Adapter (RPP) is required for mounting to round poles.
- A cast wall mount plate is available for wall mount applications.

Electrical Assembly

- The BOW SX Series is supplied with a choice of 350, 530, 700, or 1000 mA high-performance LED drivers, that accept 120v thru 480v, 50 Hz to 60 Hz, input.
- Rated for -40 °C to +55 °C operations.
- Power factor of 90%.
- THD less than or equal to 20%
- 20 kV surge protector supplied as standard.
- 0-10v Dimming Driver supplied as standard.

Warranty

Five (5) year Limited Warranty on entire system, including finish. For full warranty information, please visit VisionaireLighting.com.

Options

- Photocell & Receptacle
- Photo Receptacle
- Round Pole Plate Adapter
- Motion Sensor
- Universal Pole Mount Adapter
- Decorative Shroud
- Dimming Driver
- Wireless Controls
- Rotated Optics
- Cut-off Louver Shield

Listings

- BOW SX Series is UL listed, suitable for wet locations
- Meets ANSI C136.31-2010 3G Vibration Standards
- Powder Coated Tough™
- IP-66 Rated
- DLC Listed
- IDA Certification
- Pangealink



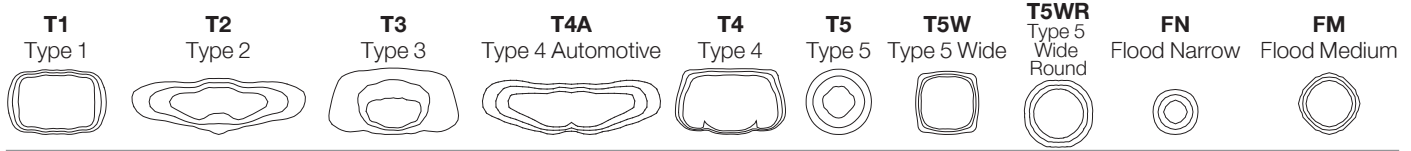
DesignLights Consortium (DLC) qualified Product. Some configurations of this product family may not be DesignLights Consortium (DLC) listed, please refer to the DLC qualified products list to confirm listed configurations. <http://www.designlights.org/>
3000K must be selected with a fixed mount for IDA certification.
Fixed mount must be selected for IDA dark sky certification.

BSX-II - ELECTRICAL CHART

Ordering Nomenclature	System Watts	120	208	240	277	347	480
BSX-II-2-T5W-32LC-3	36	.30	.17	.15	.13	.10	.08
BSX-II-2-T5W-32LC-5	53	.44	.25	.22	.19	.15	.11
BSX-II-2-T5W-32LC-7	72	.60	.35	.30	.26	.21	.15
BSX-II-2-T5W-32LC-10	109	.91	.52	.45	.39	.31	.23
BSX-II-2-T5W-32LC-3	54	.45	.26	.23	.19	.16	.11
BSX-II-2-T5W-32LC-5	81	.68	.39	.34	.29	.23	.17
BSX-II-2-T5W-32LC-7	106	.88	.51	.44	.38	.31	.22
BSX-II-2-T5W-32LC-10	162	1.35	.78	.68	.58	.47	.34
BSX-II-2-T5W-32LC-3	73	.61	.35	.30	.26	.21	.15
BSX-II-2-T5W-32LC-5	107	.89	.51	.45	.39	.31	.22
BSX-II-2-T5W-32LC-7	139	1.16	.67	.58	.50	.40	.29
BSX-II-2-T5W-32LC-10	221	1.84	1.06	.92	.80	.64	.46

BSX-II LED Specifications

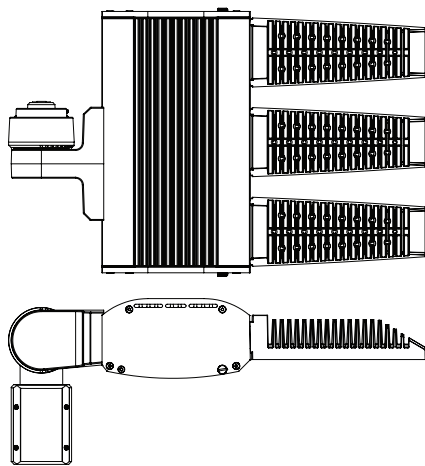
Photometric Optical Summary



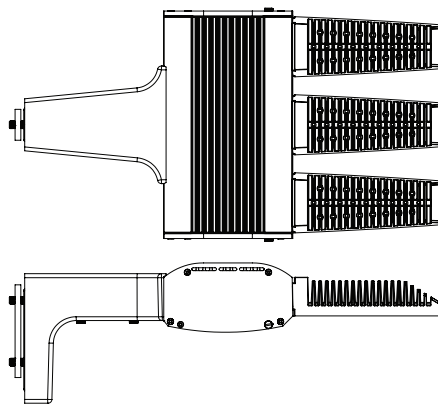
Dimensions

Knuckle Mount		Bolt-On Arm		Mast Arm		Post Top		Trunnion Mount		Adjustable Wall Mount	
Width:	BSX-II-2 15" BSX-II-3 15" BSX-II-4 17"	Width:	BSX-II-2 15" BSX-II-3 15" BSX-II-4 17"	Width:	BSX-II-2 15" BSX-II-3 15" BSX-II-4 17"	Width:	BSX-II-2 15" BSX-II-3 15" BSX-II-4 17"	Width:	BSX-II-2 15" BSX-II-3 15" BSX-II-4 17"	Width:	BSX-II-2 14" BSX-II-3 15" BSX-II-4 17"
Depth:	BSX-II-2 29" BSX-II-3 29" BSX-II-4 29"	Depth:	BSX-II-2 27" BSX-II-3 27" BSX-II-4 27"	Depth:	BSX-II-2 28" BSX-II-3 28" BSX-II-4 28"	Depth:	BSX-II-2 27" BSX-II-3 27" BSX-II-4 27"	Depth:	BSX-II-2 25" BSX-II-3 25" BSX-II-4 25"	Depth:	BSX-II-2 25" BSX-II-3 25" BSX-II-4 25"
Height:	BSX-II-2 5" BSX-II-3 5" BSX-II-4 5"	Height:	BSX-II-2 9" BSX-II-3 9" BSX-II-4 9"	Height:	BSX-II-2 5" BSX-II-3 5" BSX-II-4 5"	Height:	BSX-II-2 5" BSX-II-3 5" BSX-II-4 5"	Height:	BSX-II-2 5" BSX-II-3 5" BSX-II-4 5"	Height:	BSX-II-2 8" BSX-II-3 8" BSX-II-4 8"

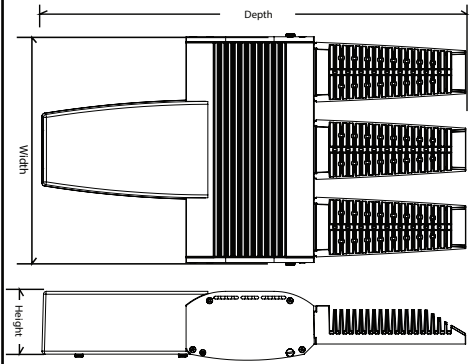
Knuckle Mount



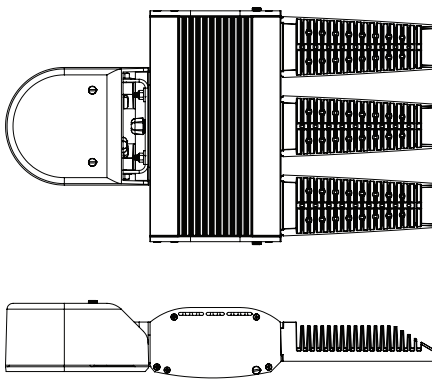
Bolt-On Arm



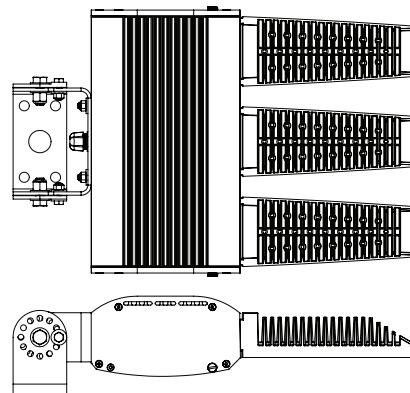
Mast Arm



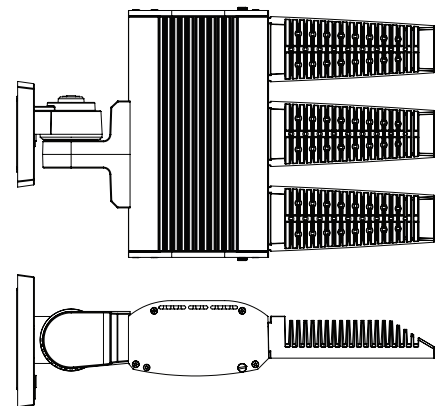
Post Top Mount



Trunnion Mount



Adjustable Wall Mount



BSX-II 3K LUMEN DATA												
# of LEDs	Current (mA)	T1	T2	T3	T4	T4A	T5	T5W	T5WR	FN	FM	Wattage
32	350	5285	4841	4850	4867	5497	4913	4649	4696	5591	5728	36
	530	7438	6813	6826	6850	7736	6914	6543	6609	7868	8061	53
	700	9737	8919	8936	8967	10127	9051	8565	8651	10300	10553	72
	1050	12857	11778	11799	11841	13373	11952	11310	11424	13601	13935	109
48	350	7669	7025	7038	7063	7976	7129	6746	6814	8113	8311	54
	530	11044	10116	10135	10171	11486	10266	9715	9813	11683	11969	81
	700	13981	12807	12831	12876	14541	12996	12298	12422	14790	15153	106
	1050	19401	17772	17805	17868	20179	18035	17066	17238	20524	21027	162
64	350	10704	9805	9823	9858	11133	9950	9416	9511	11323	11601	73
	530	15462	14164	14190	14240	16082	14374	13602	13739	16357	16758	107
	700	19459	17825	17858	17921	20239	18089	17117	17290	20585	21090	139
	1050	25714	23556	23599	23682	26745	23904	22620	22848	27203	27870	221

BSX-II 4K LUMEN DATA												
# of LEDs	Current (mA)	T1	T2	T3	T4	T4A	T5	T5W	T5WR	FN	FM	Wattage
32	350	5563	5096	5105	5123	5786	5171	4894	4943	5885	6029	36
	530	7829	7172	7185	7210	8143	7278	6887	6956	8282	8485	53
	700	10249	9389	9406	9439	10660	9527	9016	9107	10842	11108	72
	1050	13534	12398	12420	12464	14076	12581	11905	12025	14317	14668	109
48	350	8072	7395	7408	7434	8396	7504	7101	7173	8540	8749	54
	530	11625	10649	10668	10706	12091	10806	10226	10329	12298	12599	81
	700	14717	13481	13506	13554	15307	13680	12946	13076	15568	15950	106
	1050	20422	18708	18742	18808	21241	18984	17965	18146	21604	22134	162
64	350	11267	10321	10340	10377	11719	10474	9911	10011	11919	12212	73
	530	16276	14910	14937	14990	16929	15130	14318	14462	17218	17640	107
	700	20483	18763	18798	18864	21304	19041	18018	18200	21668	22200	139
	1050	27068	24795	24841	24928	28153	25162	23811	24051	28634	29336	221

BSX-II 5K LUMEN DATA												
# of LEDs	Current (mA)	T1	T2	T3	T4	T4A	T5	T5W	T5WR	FN	FM	Wattage
32	350	5365	4915	4924	4941	5581	4988	4720	4767	5676	5815	36
	530	7551	6917	6930	6954	7854	7019	6642	6709	7988	8184	53
	700	9885	9055	9072	9104	10281	9189	8695	8783	10457	10713	72
	1050	13053	11957	11979	12021	13576	12134	11482	11598	13808	14147	109
48	350	7786	7132	7145	7170	8098	7237	6849	6918	8236	8438	54
	530	11212	10271	10289	10326	11661	10422	9863	9962	11861	12151	81
	700	14194	13002	13026	13072	14763	13194	12109	12612	15015	15383	106
	1050	19696	18043	18076	18140	20486	18310	17326	17501	20836	21347	162
64	350	10867	9955	9973	10008	11302	10102	9559	9656	11496	11778	73
	530	15698	14380	14406	14457	16327	14593	13809	13948	16606	17014	107
	700	19755	18097	18130	18194	20547	18364	17378	17553	20899	21411	139
	1050	26106	23914	23958	24043	27152	24268	22964	23196	27617	28294	221

BSX-II EPA DATA			
Tilt. Deg.	BSX-2	BSX-3	BSX-4
0	.58	.58	.59
10	.58	.62	.77
20	.62	.82	1.02
30	.76	1.02	1.28
40	.9	1.2	1.53
50	1.01	1.36	1.75

BSX-II WEIGHT		
BSX-2	BSX-3	BSX-4
16LB	21LB	26LB

BSX-II LED Specifications

BSX-II 3K LPW DATA											
# of LEDs	Current (mA)	T1	T2	T3	T4	T4A	T5	T5W	T5WR	FN	FM
32	350	147	134	135	135	153	136	129	130	155	159
	530	140	129	129	129	146	130	123	125	148	152
	700	135	124	124	125	141	126	119	120	143	147
	1050	118	108	108	109	123	110	104	105	125	128
48	350	142	130	130	131	148	132	125	126	150	154
	530	136	125	125	126	142	127	120	121	144	148
	700	132	121	121	121	137	123	116	117	140	143
	1050	120	110	110	110	125	111	105	106	127	130
64	350	147	134	135	135	153	136	129	130	155	159
	530	145	132	133	133	150	134	127	128	153	157
	700	140	128	128	129	146	130	123	124	148	152
	1050	116	107	107	107	121	108	102	103	123	126

BSX-II 4K LPW DATA											
# of LEDs	Current (mA)	T1	T2	T3	T4	T4A	T5	T5W	T5WR	FN	FM
32	350	155	142	142	142	161	144	136	137	163	167
	530	148	135	136	136	154	137	130	131	156	160
	700	142	130	131	131	148	132	125	126	151	154
	1050	124	114	114	114	129	115	109	110	131	135
48	350	149	137	137	138	155	139	131	133	158	162
	530	144	131	132	132	149	133	126	128	152	156
	700	139	127	127	128	144	129	122	123	147	150
	1050	126	115	116	116	131	117	111	112	133	137
64	350	154	141	142	142	161	143	136	137	163	167
	530	152	139	140	140	158	141	134	135	161	165
	700	147	135	135	136	153	137	130	131	156	160
	1050	122	112	112	113	127	114	108	109	130	133

BSX-II 5K LPW DATA											
# of LEDs	Current (mA)	T1	T2	T3	T4	T4A	T5	T5W	T5WR	FN	FM
32	350	148	136	136	137	154	138	130	132	157	161
	530	142	130	130	131	147	132	125	126	150	154
	700	137	125	125	126	142	127	120	121	145	148
	1050	119	109	109	110	124	111	105	106	126	129
48	350	143	131	132	132	149	133	126	127	152	155
	530	138	126	126	127	143	128	121	122	146	149
	700	133	122	122	123	139	124	117	118	141	144
	1050	121	111	111	111	126	112	106	107	128	131
64	350	148	136	136	136	154	138	130	132	157	161
	530	146	134	134	134	152	136	128	130	154	158
	700	141	130	130	130	147	131	124	126	150	153
	1050	118	108	108	108	122	109	103	104	124	127

LED Specifications **BSX-II**

BSX-II 3K BUG DATA																																		
# of LEDs	Current (mA)	T1			T2			T3			T4			T4A			T5			T5W			T5WR			FN			FM					
		B	U	G	B	U	G	B	U	G	B	U	G	B	U	G	B	U	G	B	U	G	B	U	G	B	U	G	B	U	G			
32LC	350	2	0	2	1	0	2	1	0	1	1	0	1	1	0	1	2	0	1	3	0	1	3	0	1	3	0	1	3	0	1	3	0	1
	530	3	0	3	2	0	2	1	0	2	1	0	2	1	0	1	3	0	1	3	0	1	3	0	1	4	0	1	4	0	1	4	0	1
	700	3	0	3	2	0	3	1	0	2	2	0	2	2	0	1	3	0	1	3	0	2	3	0	2	4	0	1	4	0	1	4	0	1
	1050	3	0	3	3	0	3	2	0	2	2	0	2	2	0	2	3	0	2	4	0	2	4	0	2	5	0	1	5	0	1	5	0	1
48LC	350	3	0	3	2	0	2	1	0	2	2	0	2	1	0	1	3	0	1	3	0	1	3	0	1	4	0	1	4	0	1	4	0	1
	530	3	0	3	2	0	3	1	0	2	2	0	2	2	0	1	3	0	2	3	0	2	4	0	2	4	0	2	4	0	1	4	0	1
	700	3	0	3	3	0	3	2	0	2	2	0	2	2	0	2	3	0	2	4	0	2	4	0	2	5	0	1	5	0	1	5	0	1
	1050	4	0	4	3	0	3	2	0	3	3	0	3	3	0	2	4	0	2	4	0	2	4	0	2	5	0	1	5	0	1	5	0	1
64LC	350	3	0	3	2	0	3	1	0	2	2	0	2	2	0	1	3	0	2	3	0	2	3	0	2	4	0	1	4	0	1	4	0	1
	530	4	0	4	3	0	3	2	0	2	3	0	3	2	0	2	4	0	2	4	0	2	4	0	2	5	0	1	5	0	1	5	0	1
	700	4	0	4	3	0	3	2	0	3	3	0	3	3	0	2	4	0	2	4	0	2	4	0	2	5	0	1	5	0	1	5	0	1
	1050	4	0	4	3	0	4	3	0	4	3	0	4	3	0	3	4	0	2	5	0	3	5	0	3	5	0	2	5	0	2			

BSX-II 4K BUG DATA																																		
# of LEDs	Current (mA)	T1			T2			T3			T4			T4A			T5			T5W			T5WR			FN			FM					
		B	U	G	B	U	G	B	U	G	B	U	G	B	U	G	B	U	G	B	U	G	B	U	G	B	U	G	B	U	G			
32LC	350	2	0	2	1	0	2	1	0	1	1	0	2	1	0	1	2	0	1	3	0	1	3	0	1	3	0	1	3	0	1	3	0	1
	530	3	0	3	2	0	2	1	0	2	2	0	2	1	0	1	3	0	1	3	0	1	3	0	1	4	0	1	4	0	1	4	0	1
	700	3	0	3	2	0	3	1	0	2	2	0	2	2	0	1	3	0	1	3	0	2	3	0	2	4	0	1	4	0	1	4	0	1
	1050	3	0	3	3	0	3	2	0	2	2	0	2	2	0	2	3	0	2	4	0	2	4	0	2	5	0	1	5	0	1	5	0	1
48LC	350	3	0	3	2	0	2	1	0	2	2	0	2	1	0	1	3	0	1	3	0	1	3	0	2	4	0	1	4	0	1	4	0	1
	530	3	0	3	2	0	3	1	0	2	2	0	2	2	0	1	3	0	2	3	0	2	4	0	2	4	0	2	4	0	1	4	0	1
	700	3	0	3	3	0	3	2	0	2	2	0	2	2	0	2	3	0	2	4	0	2	4	0	2	5	0	1	5	0	1	5	0	1
	1050	4	0	4	3	0	3	2	0	3	3	0	3	3	0	2	4	0	2	4	0	2	4	0	2	5	0	1	5	0	1	5	0	1
64LC	350	3	0	3	2	0	3	1	0	2	2	0	2	2	0	1	3	0	2	3	0	2	4	0	2	4	0	2	4	0	1	4	0	1
	530	4	0	4	3	0	3	2	0	2	3	0	3	2	0	2	4	0	2	4	0	2	4	0	2	5	0	1	5	0	1	5	0	1
	700	4	0	4	3	0	3	2	0	3	3	0	3	3	0	2	4	0	2	4	0	2	4	0	2	5	0	1	5	0	1	5	0	1
	1050	4	0	4	3	0	4	3	0	4	3	0	4	3	0	3	4	0	2	5	0	3	5	0	3	5	0	2	5	0	2			

BSX-II 5K BUG DATA																																		
# of LEDs	Current (mA)	T1			T2			T3			T4			T4A			T5			T5W			T5WR			FN			FM					
		B	U	G	B	U	G	B	U	G	B	U	G	B	U	G	B	U	G	B	U	G	B	U	G	B	U	G	B	U	G			
32LC	350	2	0	2	1	0	2	1	0	1	1	0	1	1	0	1	2	0	1	3	0	1	3	0	1	3	0	1	3	0	1	3	0	1
	530	3	0	3	2	0	2	1	0	2	1	0	2	1	0	1	3	0	1	3	0	1	3	0	1	4	0	1	4	0	1	4	0	1
	700	3	0	3	2	0	3	1	0	2	2	0	2	2	0	1	3	0	1	3	0	2	3	0	2	4	0	1	4	0	1	4	0	1
	1050	3	0	3	3	0	3	2	0	2	2	0	2	2	0	2	3	0	2	4	0	2	4	0	2	5	0	1	5	0	1	5	0	1
48LC	350	3	0	3	2	0	2	1	0	2	2	0	2	1	0	1	3	0	1	3	0	1	3	0	1	4	0	1	4	0	1	4	0	1
	530	3	0	3	2	0	3	1	0	2	2	0	2	2	0	1	3	0	2	3	0	2	4	0	2	4	0	2	4	0	1	4	0	1
	700	3	0	3	3	0	3	2	0	2	2	0	2	2	0	2	3	0	2	4	0	2	4	0	2	5	0	1	5	0	1	5	0	1
	1050	4	0	4	3	0	3	2	0	3	3	0	3	3	0	2	4	0	2	4	0	2	4	0	2	5	0	1	5	0	1	5	0	1
64LC	350	3	0	3	2	0	3	1	0	2	2	0	2	2	0	1	3	0	2	3	0	2	3	0	2	4	0	1	4	0	1	4	0	1
	530	4	0	4	3	0	3	2	0	2	3	0	3	2	0	2	4	0	2	4	0	2	4	0	2	5	0	1	5	0	1	5	0	1
	700	4	0	4	3	0	3	2	0	3	3	0	3	3	0	2	4	0	2	4	0	2	4	0	2	5	0	1	5	0	1	5	0	1
	1050	4	0	4	3	0	4	3	0	4	3	0	4	3	0	3	4	0	2	5	0	3	5	0	3	5	0	2	5	0	2			