

Fig. 1

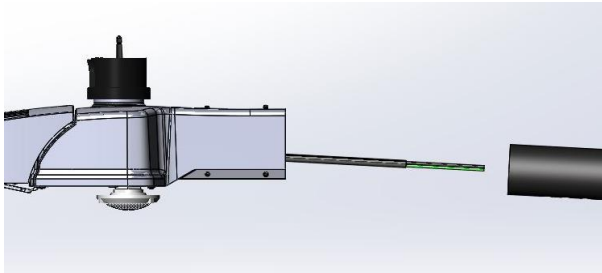


Fig. 2

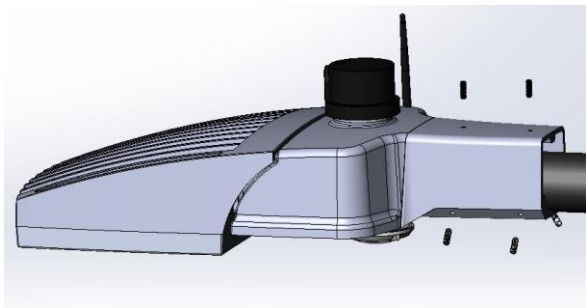


Fig. 3



BEFORE YOU BEGIN

- Read these instructions completely and carefully.
- Save these instructions for future use.



WARNING

- To avoid possible risk of fire or shock turn off power prior to installation or maintenance preferably at circuit breaker. Product must be installed following all NEC and local Electrical Codes.

UNPACKING

- This luminaire has been properly packaged so that no damage shall occur during transportation
- Inspect and confirm

INSTALLATION

- Connect supply wires that the luminaire has (at least 12"). Fig.1
- Slide the luminaire onto pole 2-1/4" O.D (Fig. 2).
- Orient the luminaire in the desired position and tighten 1/4-20 set screws to 6 ft-lb (Fig. 3).

