



VISIONAIRE LIGHTING

I N D U S T R I A L

The Bow High Bay Series is a high performance LED Industrial luminaire for use in a multitude of applications from Aircraft Hangers, Convention Centers, Distribution Centers, Factories, Large Warehouses, Sports Arenas or any facility with mounts from 15' to 100'. Superior thermal management allows for maximum LPW output. All aluminum construction provides years of reliable operation. Choose Low Glare optical distribution patterns with motion sensors, Emergency Battery Packs, and Lighting Controls.

BOW High Bay

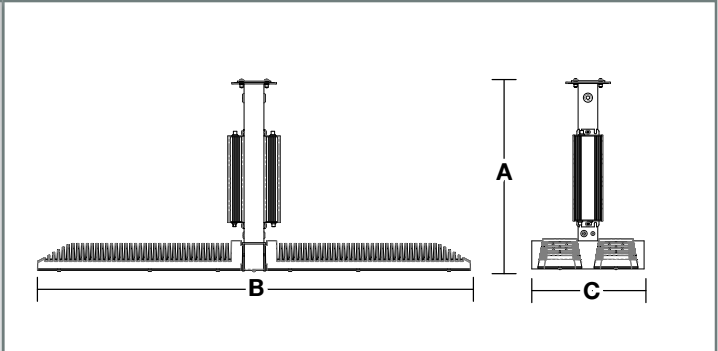
LED Luminaire



KEY FEATURES:

- All Aluminum Construction
- Integral Heat Sinks
- Open Air Driver Compartment
- 64 to 256 LEDs
- 10,000 to 110,000+ Lumen Package
- Replaces up to 1500W HID
- Optional Diffused Lens
- 5 Distribution Patterns
- 3 Color Temperatures
- L70 @ 100,000 hours
- Emergency Battery Back Up
- Wire Guard
- Bi-Level Dimming
- Daylight Harvesting
- 65 C° Ambient temperature
- Mounting Options:
 - Y-Cable
 - 1/2 Solid Rod
 - 3/4" Conduit / Hook

BOW High Bay LED



Fixture	A	B	C	Max. LEDs	Lbs
BHB-2	19"	40"	6"	64	16
BHB-4	19"	40"	11"	128	30
BHB-6	19"	40"	15.5"	192	46
BHB-8	19"	40"	20"	256	59

The NEW Visionaire BOW High Bay LED Luminaire is designed to efficiently light any large interior space such as Factories, Aircraft Hangars, Warehouses, Distribution Centers, and many other large indoor spaces with mounting heights of up to 70'. It combines the innovative design of individual heat sinks with cutting edge LED technology; and makes an ideal replacement for conventional HID and fluorescent high bay systems. This series offers higher efficacy than others in the past and can be combined with options such as wireless controls and motion sensors for even increased energy savings and virtually no maintenance costs.

The 32 LED Light engines are die-cast aluminum with external heat radiating fins for maximum heat dissipation. This innovative design uses 2, 4, 6, or 8 light engines (64 to 256 LEDs); operating with 350, 530, 700, or 1000 mA drivers; for a lumen output range of 13,000 to 114,000+ Lumens. The externally mounted IP-67 Drivers operate cooler for long life and increased output. Improved thermal management of the Light Bars, allows for up to 65°C ambient temperature ratings and -40°C minimum operating temperature; and over 100,000 hours of life at L70.

Our sealed LED optics offer very uniform light distribution and are available in five distribution patterns of: Aisle Wide, Aisle Diffused, Symmetrical Narrow, Symmetrical Medium and Symmetrical Wide. Choose from 3000, 4000, or 5000 Kelvin temperature of the LEDs.

Mounting options include chain or cable ready as standard; 1/2" threaded rod, and 3/4" conduit. Other options include Motion Sensors, Emergency battery pack and 10' & 15' cords.

A full five year limited warranty is included on the entire system, including the polyester powder coat finish. The NEW Bow High Bay Series makes an excellent choice for many different market applications.

Model	Optics	Source	Milliamps	Kelvin	Voltage	Mounting	Finish	Options	Mounting Accessories
BHB-2	Aisle Wide (AW)	# of LEDs	mA	3000K	120-277	Cable Mount (CBM) *Cable Ordered Separately *Hardware Not Included	White (WH)	Motion Sensor/FSP 211 Control Watt Stopper must specify dimming driver	Y-Cable With Hook (YH5) 5' Height (YH10) 10' Height (YH15) 15' Height
	Aisle Diffused (AD)	64 (64LC)	350 (3)	*Warm white (3K)	*Universal voltage (UNV)				
BHB-4	Symmetrical Narrow 40° (SN)	128 (128LC)	530 (5)	4000K	347 (8)	1/2" Mount (CPM) *Threaded Rod And Nuts Not Included	Grey (GY)	*Works with FSP-211 (WSC-8) 8' Mounting Height (WSC-20) 9-20' Mounting Height (WSC-40) 21-40' Mounting Height This option will require (1) FSIR 100 remote for programming	*To be ordered with CBM Mounting Hook (HK)
	Symmetrical Medium 90° (SM)	700 (7)	5000K	480 (5)	*Cool white (5K)				
BHB-6	Symmetrical Wide 120° (SW)	192 (192LC)	1000 (10)			3/4" Conduit Mount (CDM) *Conduit Not Included		Motion Sensor (MS-8) 8' Mounting Height (MS-20) 9-20' Mounting Height (MS-40) 21-40' Mounting Height	*To be ordered with 3/4" CDM Mount
BHB-8		256 (256LC)						Wireless Control (WC) Consult Factory Emergency Battery Pack *Universal Voltage only (EBPL) Wire Guard (WG) Cord *5' Cord comes as standard (10CD) 10' Cord (15CD) 15' Cord Dimming Leads No Controls (DIM)	