

BLX-II/BSX-II Adjustable Wall Mount Installation Instructions



BEFORE YOU BEGIN

- Read these instructions completely and carefully.
- Save these instructions for future use.

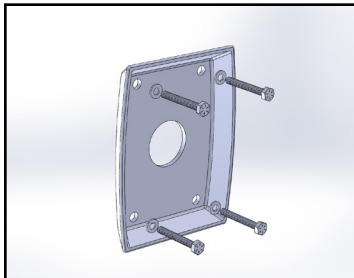
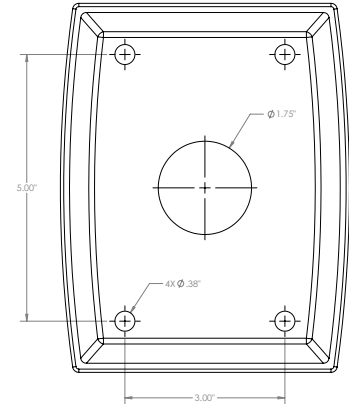


WARNING

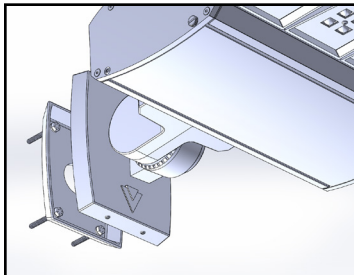
- to avoid possible risk of fire or shock, turn off power prior to installation or maintenance preferably at circuit breaker. Product must be installed following all NEC and local electrical codes.

UNPACKING

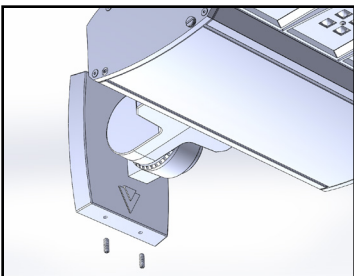
- This luminaire has been properly packaged so that no damage shall occur during transportation. Inspect and confirm.



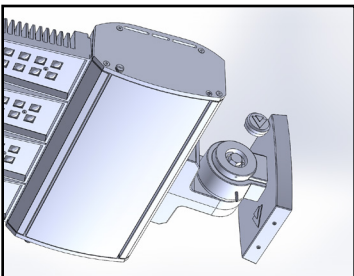
1. Install Wall Mount Plate to the wall with washers and bolts (by others).
2. Connect supply lead wires per NEC and/or any applicable local codes.



3. Hang the Luminaire Mount Casting/ BLX-II luminaire onto the Wall Mount Plate.



4. Secure BLX-II luminaire in place by tightening the 1/4\" Set Screws to 7 ft-lb.



5. Loosen (do not remove) the #8-32 Set Screw and remove the Knuckle Cover.
6. If necessary, loosen the 1/2\" Hex Head Bolt then tilt the luminaire in the desired position. Each tooth allows for 10 degrees of inclination.
7. Tighten 1/2\" Hex Head Bolt to 45 ft-lb.
8. Replace the Knuckle Cover and tighten #8-32 Set Screw to 16 in-lb.

 **VISIONAIRE LIGHTING**

19645 ranch Way.
Rancho Dominguez CA 90220
310-512-6480
www.visionairelighting.com

Conforms to
UL STD 1598
Certified To
LISTED
CAN/US STD C22.2#250#250.0