

VSC-II Wildlife Certified LED Specifications



Project Name:

Catalog Number:

Type:

The **VSC-II LED** wall mount Series continues the unique contemporary design that is inspired by the V-Collection light series. It combines LED performance and advanced LED thermal management technology and provides lighting that is energy efficient and aesthetically pleasing.

The LED performance and the driver's life are maximized by enclosing them in two separate cast aluminum housings. Easy access for mounting and maintenance.

The LED light assemblies come with 16, 32, or 48 LEDs.

Ten optical distribution patterns are available. 590 nm diode supplied as standard.

A durable polyester powder coat finish is guaranteed for five years; and is available in standard or custom colors.

The **VSC-II LED** Series is an exceptional choice for office complexes, schools, commercial buildings, and many architectural projects.

Ordering Information

MODEL	OPTICS	SOURCE	CURRENT	KELVIN	VOLTAGE	MOUNTING	FINISH	OPTIONS
VSC-II	FM Flood Medium	16LC	3 350mA	TS 590 nm	UNV 120-277V	WM Wall Mount	BZ Bronze	PC-120 Button Type Photocell
	FN Flood Narrow	32LC					BK Black	PC-208 Button Type Photocell
	T1 Type 1	48LC	5 530mA		8 347V	VCB Conduit Box Mounting Plate with (2) 1/2" Threaded Conduit Holes	SBK Smooth Black	PC-240 Button Type Photocell
	T2 Type 2				5 480V		WH White	PC-277 Button Type Photocell
	T3 Type 3						SWH Smooth White	WSC-8 Motion Sensor 8' Mounting Height
	T4 Type 4						GP Graphite	WSC-20 Motion Sensor 9-20' Mounting Height
	T4A Type 4 Automotive						GY Grey	WSC-40 Motion Sensor 21-40' Mounting Height
	T5 Type 5						SL Silver Metallic	The WSC option will require (1) FSIR 100 remote for programming
	T5W Type 5 Wide						CC Custom Color	DIM 0-10v Dimming Driver
	T5WR Type 5 Wide Round							EBPL Emergency Battery Pack Universal Voltage only Not available in Up-Light Orientation
								BP Back Plate
								LS Light Shield

Heatsink

Cast aluminum heatsink with integral cooling fins for thermal management.

Mounting/Driver Compartment

· Durable two-piece cast aluminum driver compartment utilizes a quick mount/set screw mounting for ease of maintenance and sealed with a one-piece gasket.

Thermal Management

- The VSC-II series provides excellent thermal management by mounting the LEDs to the substantial heat sink of the housing. This enables the Luminaire to withstand higher ambient temperatures and driver currents without degrading LED life.
- The L70 test determines the point in an LEDs life when it reaches 70 percent of its initial output.
- The VSC-II series LEDs have been determined to last 100,000+ hours in 25° C environments when driven at 350 mA.

Optical System

- The highest lumen output LEDs are utilized in the VSC-II series.
- Ten IES distribution Types are available.
- The optical system qualifies as IES full cutoff to restrict light trespass, glare and light pollution.
- 590 nm diode supplied as standard.

Quali-Guard® Finish

- The finish is a Quali-Guard® textured, chemically pretreated through a multiple-stage washer, electrostatically applied, thermoset polyester powder coat finish, with a minimum of 3-5 millimeter thickness. Finish is oven-baked at 400° F to promote maximum adherence and finish hardness.
- All finishes are available in standard and custom colors.
- Finish is guaranteed for five (5) years.

Electrical Assembly

- The VSC-II LED series is supplied with a choice of 350 or 530 mA high-performance LED drivers that accept 120v thru 480v, 50 Hz to 60 Hz, input.
- Power factor of 90%.
- Rated for -50° C operations.
- THD less than or equal to 20%
- 10 kV surge protector supplied as standard.

Warranty

Five (5) year Limited Warranty on electrical components, Five (5) year on finish. For full warranty information, please visit visionairelighting.com

Options

- Button Type Photocell
- Motion Sensor
- 0-10 Volt Dimming Driver
- Back Plate

Listings

- The VSC-II is cUL listed, suitable for wet locations.
- IP65 Rated
- Powder Coated Tough™
- DLC Listed
- IDA Certification
- Turtle Safe
- Certified Wildlife Lighting



DesignLights Consortium (DLC) qualified Product. Some configurations of this product family may not be DesignLights Consortium (DLC) listed, please refer to the DLC qualified products list to confirm listed configurations. <http://www.designlights.org/>

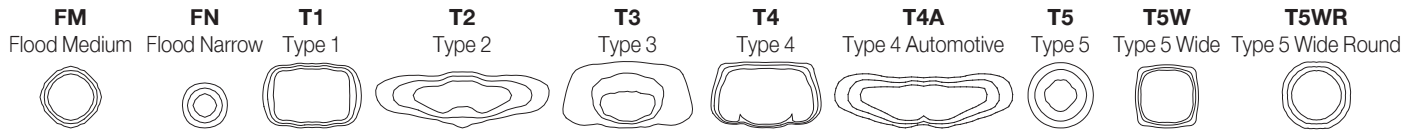
The Wildlife Lighting Program was developed by the Department of the Interior's U.S. Fish and Wildlife Service and the Florida Fish and Wildlife Conservation Commission to address light pollution issues in ecologically sensitive areas while ensuring human safety and security.



Motion Sensor Default Setting									
Type	High Mode	Low Mode	Time Delay	Cut off Delay	Sensitivity	Hold Off Setpoint	Photocell On/Off	Ramp Up Time	Fade Down Time
WSC - Default	10V	1V	5 Min	1 Hour	Max	Disabled	Disabled	Disabled	Disabled
WSC Range	0 -10V	0 -9.8V	5 -30 Min	1 -5 Hours	Low, Med, Max	1 -250FC	1 -250FC	1 -60 Dec	1-60 Dec

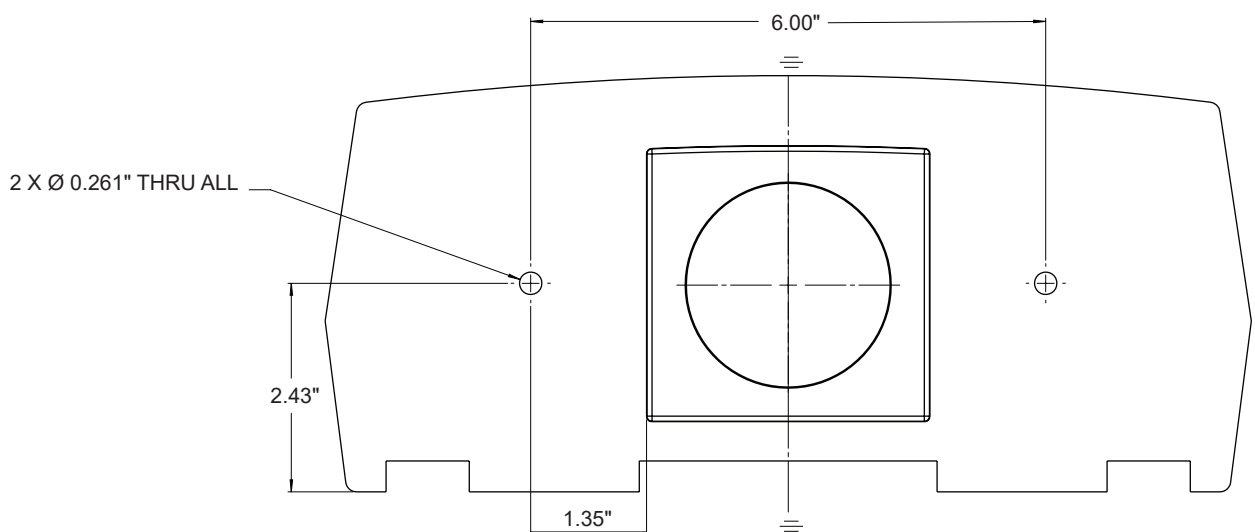
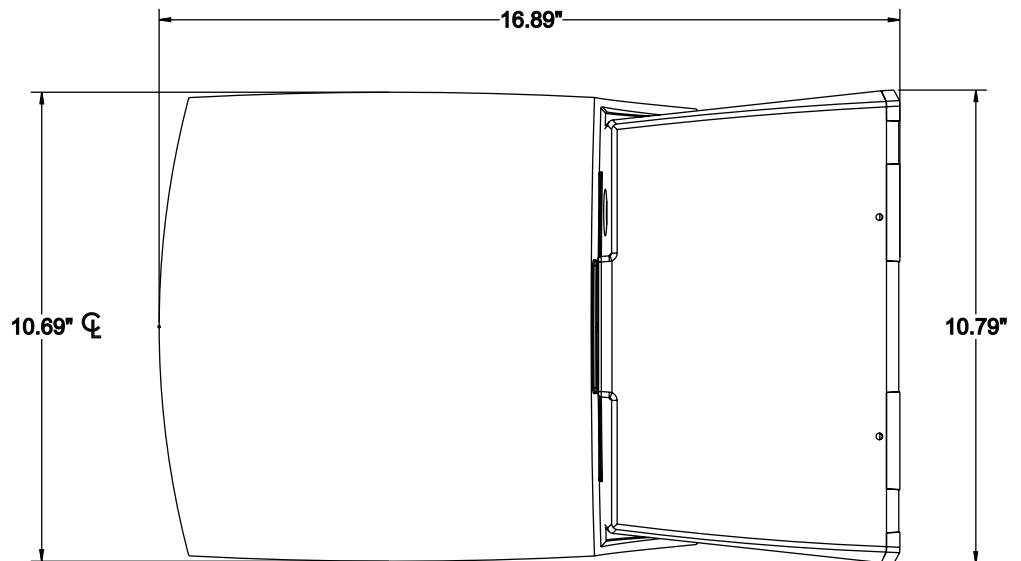
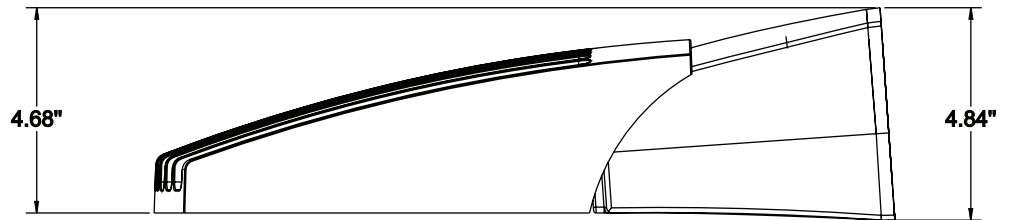
VSC-II Wildlife Certified LED Specifications

Photometric Optical Summary



Dimensions

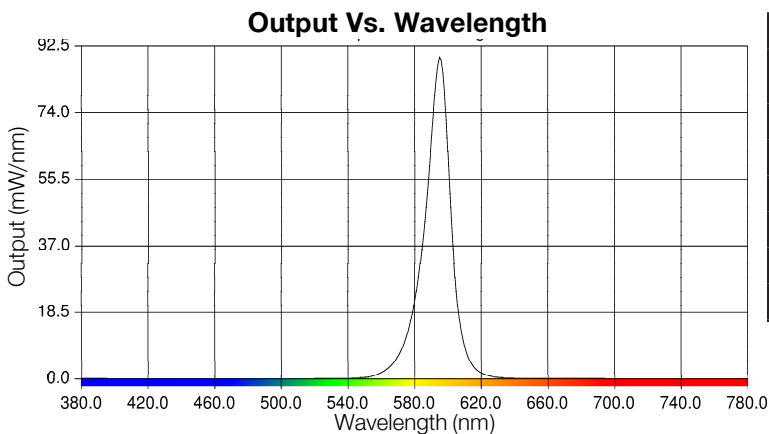
Width:	VSC-II 10.8"
Depth:	VSC-II 17"
Height:	VSC-II 5"
Weight:	20 LBS



VSC-II Wildlife Certified TS (590 nm) LUMEN DATA												
# LEDs	Current (mA)	FM	FN	T1	T2	T3	T4	T4A	T5	T5W	T5WR	Watts
16	350	570	561	554	510	514	503	556	542	512	503	18
	530	765	753	744	684	690	675	746	727	687	674	26
32	350	1130	1130	1116	1027	1035	1013	1120	1091	1032	1012	37
	530	1540	1516	1497	1378	1389	1359	1503	1464	1384	1358	52
48	350	1722	1695	1674	1540	1552	1519	1680	1637	1548	1518	55
	530	2310	2274	2246	2066	2083	2039	2254	2196	2076	2036	78

VSC-II Wildlife Certified TS (590 nm) LPW DATA												
# LEDs	Current (mA)	FM	FN	T1	T2	T3	T4	T4A	T5	T5W	T5WR	Watts
16	350	32	31	31	28	29	28	31	30	28	28	18
	530	29	29	29	26	27	26	29	28	26	26	26
32	350	31	31	30	28	28	27	30	29	28	27	37
	530	30	29	29	26	27	26	29	28	27	26	52
48	350	31	31	30	28	28	28	31	30	28	28	55
	530	30	29	29	26	27	26	29	28	27	26	78

VSC-II Wildlife Certified TS (590 nm) BUG DATA																																			
# LEDs	Current (mA)	FM			FN			T1			T2			T3			T4			T4A			T5			T5W			T5WR			Watts			
		B	U	G	B	U	G	B	U	G	B	U	G	B	U	G	B	U	G	B	U	G	B	U	G	B	U	G							
16	350	1	0	0	1	0	0	0	0	0	0	0	1	0	0	0	0	0	0	0	0	0	0	0	0	0	0	0	1	0	0	1	0	0	18
	530	1	0	0	1	0	0	1	0	1	0	0	1	0	0	0	0	0	0	0	0	0	0	0	0	0	0	0	1	0	0	1	0	0	26
32	350	1	0	0	1	0	0	1	0	1	0	0	1	0	0	0	0	0	0	0	0	0	0	0	0	1	0	0	1	0	0	1	0	0	37
	530	2	0	0	2	0	0	1	0	1	1	0	1	1	0	1	0	0	1	0	0	0	0	1	0	0	1	0	0	1	0	0	52		
48	350	2	0	0	2	0	0	1	0	1	1	0	1	1	0	1	1	0	1	0	0	0	0	1	0	0	1	0	0	1	0	1	55		
	530	2	0	0	2	0	0	1	0	1	1	0	1	1	0	1	1	0	1	1	0	1	1	0	1	2	0	1	1	0	1	78			



VSC-II Wildlife Certified - ELECTRICAL LOAD (A)							
Ordering Nomenclature	System Watts	120	208	240	277	347	480
VSC-II-T3-16LC-3-TS	18	0.15	0.09	0.08	0.06	0.05	0.04
VSC-II-T3-16LC-5-TS	26	0.22	0.13	0.11	0.09	0.07	0.05
VSC-II-T3-32LC-3-TS	37	0.31	0.18	0.15	0.13	0.11	0.08
VSC-II-T3-32LC-5-TS	52	0.43	0.25	0.22	0.19	0.15	0.11
VSC-II-T3-48LC-3-TS	55	0.46	0.26	0.23	0.20	0.16	0.11
VSC-II-T3-48LC-5-TS	78	0.65	0.38	0.33	0.28	0.22	0.16