

PG Series





PGR Arm Mount



Turtle Safe LED Lighting Available*

In coastal areas near well-established turtle nests and areas surrounding observatories, meeting the light pollution requirements placed by the authorities is often difficult with conventional lighting sources. The installations of special “Low Pressure Sodium” Bulbs are often required. There have not been many viable options for LEDs for this application due to the performance of Amber LEDs on the market. With recent improvements on true amber also known as “AlInGaP” LEDs, Visionaire Lighting is able to offer LED fixtures that are comparable to its LPS predecessors. Our new Turtle Safe fixtures have been designed and tested to meet the general requirements of the Florida Wildlife Commission for Turtle Safe Lighting (listing with the FWC is currently pending). We offer custom shielding options to ensure that your fixtures will pass inspections, and meet any special photometric requirements that your particular site may have.

Our Turtle Safe fixtures operate at a dominant wavelength of 590nm. This makes our fixtures ideal for installations with stringent light pollution requirements such as near observatories, beaches or any locations where light pollution is of significant concern, or turtle nesting areas. Switching to LED can also help minimize your carbon footprint. Visionaire Lighting offers the option to design select fixtures as a Turtle Safe Hybrid that will allow you to operate Turtle Safe lighting during nesting season, and white light during the off season. This is great for those who enjoy white light but must comply with Turtle Safe lighting during nesting season.

PG Series

At Visionaire Lighting we are always looking to advance and engineer the latest in LED technology and lighting. In our efforts of advancement, we have taken our highly rated PGA LED Luminaire and revamped it with the latest state-of-the-art LEDs, thermal management and additional housings. Our newly designed PG Series of fixtures is now performing better than ever.

Our PG Series has now been expanded to complete your entire site needs. With added housing shapes of round and square we offer

our fixtures with more mounting flexibility. Choose from your choice of arm mount, post top and ceiling mount in round or square and ceiling mount for our original angled PGA fixture.

6 IES patterns, all durable aluminum construction, high-performance LEDs, multi-mount options and great energy efficiency the PG Series is perfect for all your site specifications. Applications range from parks, parking garages, parking lots and more.



PGS Post-Top

PG Series

LED Luminaire Features

LED Light Engines

The LED light assemblies are available with 16, 32 or 48 LEDs or 64, 80 and 96 LEDs in the size 2 and 112, 128 in the size 3.

Optional Motion Sensor

Mounts directly to the bottom of the housing

Gasket

Gasket provides complete weather proof protection.

LED Driver

High performance with a power factor greater than 90%, and rated for -40° C operation.

Integral Aluminum Heat Sink

Maximizes LED Array life.

Cutaway View

PGA

All Aluminum Construction

Aluminum is used throughout for it's corrosion resistant qualities.

Stainless Steel Screws

Secures gasketed housing cover.

Full Cutoff Optics

Available in seven different distribution patterns.

Multiple Mounting Options: (Varying on Fixture)

- Low Profile Mount
- Ceiling Mount
- Pendant Mount
- Yoke Mount
- Universal Bolt On Arm
- Wall Mount



Project Name: _____

Catalog Number: _____

Type: _____

The **PGR-3** luminaire from Visionaire combines contemporary design with new LED technology while maintaining traditional fixture design forms. The LED performance and life are optimized by the unique integral aluminum heat sink, making them an ideal replacement for the high-maintenance fluorescent or HID fixtures of yesterday.

The LED housing is formed aluminum; with either 96, 112 or 128 LED engines. Mounting options include Yoke Mount, or Universal Bolt-On Arm. The Universal Bolt-on Arm Mount is available with a Quick Mount Pole Adaptor and is perfect for retrofitting existing poles.

Eight optical distribution patterns are available. Choose between 3000, 4000 or 5000 Kelvin temperature of the LED's.

A durable polyester powder coat finish is guaranteed for five years; and is available in standard or custom colors.

The **PGR-3** LED series is an exceptional choice for universities, shopping centers, parks and recreational areas; and general site lighting.

Ordering Information

MODEL	OPTICS	LEDS	CURRENT	KELVIN	VOLTAGE	MOUNTING	FINISH	OPTIONS	OPTIONS
PGR-3	T1 Type 1	96LC	3 350mA	3K 3000K	UNV 120-277V	YM Yoke Mount	BZ Bronze	PCR-120 PCR-208 PCR-240 PCR-277 PCR-347 PCR-480 Photocell & Receptacle	DIM 0-10v Dimming Driver
	T2 Type 2	112LC 128LC	5 530mA	4K 4000K	8 347V	UBOA Universal Bolt-On Arm Mount	BK Black	VWC Visionaire Wireless Controls Consult Factory	VWC Visionaire Wireless Controls Consult Factory
	T3 Type 3		7 700mA	5K 5000K	5 480V	Round Pole Plate Adaptors (RPP) are to be ordered separately.	SBK Smooth Black	PER 5PINPER 7PINPER 3, 5, or 7 Pin Photo Receptacle w/shorting cap *Requires Dimming Driver	RPP Round Pole Plate Adaptor
	T4 Type 4						WH White	ROT-R Rotated Optics Right Side	ROT-R Rotated Optics Right Side
	T4A Type 4 Automotive						SWH Smooth White	ROT-L Rotated Optics Left Side	ROT-L Rotated Optics Left Side
	T5 Type 5						GP Graphite	CLS Back Side Cutoff Louver Shield	CLS Back Side Cutoff Louver Shield
	T5W Type 5 Wide						GY Grey		
	T5WR Type 5 Wide Round						SL Silver Metallic		
							CC Custom Color	WSC-8 Motion Sensor 8' Mounting Height	
								WSC-20 Motion Sensor 9-20' Mounting Height	
							WSC-40 Motion Sensor 21-40' Mounting Height		

*The WSC options will require (1) FSIR 100 remote for programming

Features & Specifications

Housing

Heavy duty formed aluminum housing with internal heat sink for maximum heat dissipation. Silicone gasket is used for weather tight operation.

Mounting

For post top mounting, an adaptor fits over a 2 3/8" tenon secured with stainless steel hardware.

For retro-fit applications, a Pre-Attached Aluminum Arm (UBOA) is supplied along with a Universal Quick Mount pole adaptor for fast and easy attachment to the pole.

Thermal Management

The PGR-3 series provides excellent thermal management by mounting the LEDs to the substantial heat sink within the housing. This enables the luminaire to withstand higher ambient temperatures and drive currents without degrading LED life.

Optical System

The highest lumen output LEDs are utilized. High-performance acrylic optics feature industry leading Type I, II, III, IV, IVA, and V, VWR optical distributions. Acrylic optics are impact-resistant and rated to 94 percent translucence.

L70 life of our LEDs is rated over 100,000 hours (for 350 mA), The optical system qualifies as as U-0 to restrict light trespass, glare and light pollution for neighborhood-friendly lighting. CRI values are 70.

Quali-Guard® Finish

The finish is a Quali-Guard® textured, chemically pretreated through a multiple-stage washer, electrostatically applied, thermoset polyester powder coat finish, with a minimum of 3-5 millimeter thickness. Finish is oven-baked at 400° F to promote maximum adherence and finish hardness. All finishes are available in standard and custom colors. Finish is guaranteed for five (5) years.

Electrical Assembly

The PGR-3 LED series is supplied with a choice of 350, 530 or 700mA high-performance LED drivers that accept 120v thru 480v, 50 Hz to 60 Hz, input. Power factor of 90%. Rated for -40°C operations. 10kV Surge Protector supplied as standard.

Warranty

Five (5) year Limited Warranty on electrical components, Five (5) year on finish. For full warranty information, please visit visionairelighting.com.

Options

- Photocell & Receptacle
- 0-10 Volt Dimming Driver
- Motion Sensor/Control Watt Stopper FSP-211
- Wireless Controls
- Round Pole Plate Adapter
- Cutoff Louver Shield

Listings

- PGR-3 is cUL listed, suitable for wet locations.
- IP65 Rated
- Powder Coated Tough
- IDA Certification
- DLC listed



3000K must be selected for IDA certification.
Fixed mount must be selected for IDA dark sky certification.

Motion Sensor Default Setting									
FSP - 211	High Mode	Low Mode	Time Delay	Cut Off Delay	Sensitivity	Hold Off Setpoint	Photocell On/Off	Ramp Up Time	Fade Down Time
WSC - Default	10V	1V	5 Minutes	1 Hour	Max	Disabled	Disabled	Disabled	Disabled
WSC Range	0-10V	0-9.8V	5-30 Minutes	1-5 Hours	Low, Med, Max	1-250FC	1-250FC	1-60 Dec	1-60 Dec

* Settings can be field modified with the FSIR-100 Programming remote

Photometric Optical Summary

	T1 Type 1	T2 Type 2	T3 Type 3	T4 Type 4	T4A Type 4 Automotive	T5 Type 5	T5W Type 5 Wide	T5WR Type 5 Wide Round
EPA Data								
	0.75	1.47	1.5	2.22	2.1	2.22		

Dimensions

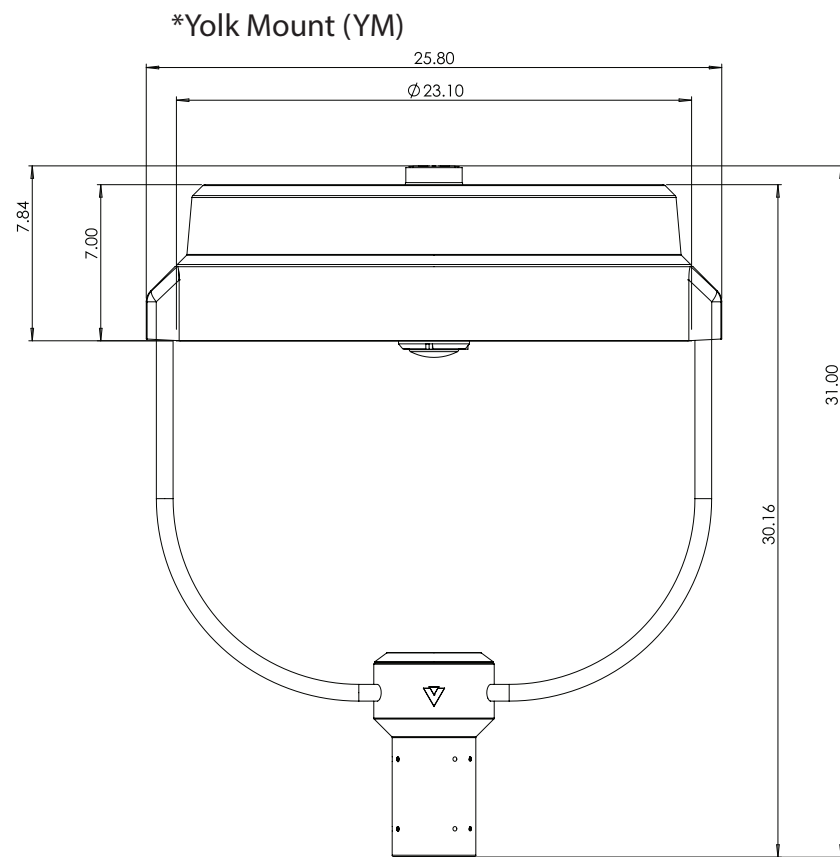
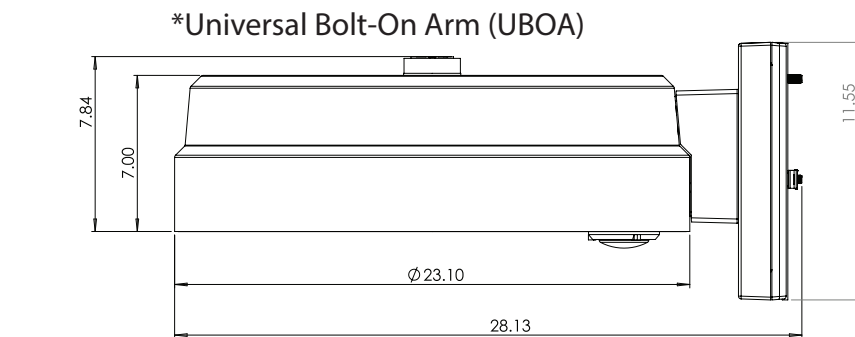
Width: PGR-3 23"/26"

Depth: PGR-3 28"

Height: PGR-3 7.0"

Overall Height: PGR-3 9/25"

Weight: 28 LBS



PGR-3 3K Lumen Chart

# LEDs	Current (mA)	T1	T2	T3	T4	T4A	T5	T5W	T5WR	Wattage
96	350	12062	11843	12198	11986	12268	12292	11949	11876	103
	530	17244	16930	17438	17135	17539	17572	17083	16978	156
	700	21443	21053	21684	21307	21809	21851	21242	21112	207
112	350	14356	14094	14517	14265	14601	14629	14221	14134	121
	530	20396	20024	20625	20267	20744	20784	20205	20081	183
	700	24943	24489	25223	24785	25369	25417	24709	24557	241
128	350	16262	15966	16445	16159	16540	16572	16110	16011	137
	530	23115	22694	23375	22969	23510	23555	22899	22758	208
	700	28206	27693	28523	28028	28688	28743	27942	27770	275

PGR-3 4K Lumen Chart

# LEDs	Current (mA)	T1	T2	T3	T4	T4A	T5	T5W	T5WR	Wattage
96	350	12290	12067	12429	12213	12500	12524	12175	12101	103
	530	17570	17250	17768	17459	17870	17904	17406	17299	156
	700	21848	21450	22094	21710	22221	22264	21644	21511	207
112	350	14627	14361	14791	14534	14877	14905	14490	14401	121
	530	20781	20403	21015	20650	21136	21177	20587	20460	183
	700	25414	24951	25700	25253	25848	25898	25176	25021	241
128	350	16570	16268	16756	16465	16853	16885	16414	16314	137
	530	23552	23123	23817	23403	23954	24000	23332	23188	208
	700	28739	28216	29062	28557	29230	29286	28470	28295	275

PGR-3 5K Lumen Chart

# LEDs	Current (mA)	T1	T2	T3	T4	T4A	T5	T5W	T5WR	Wattage
96	350	12328	12103	12466	12250	12538	12562	12212	12137	103
	530	17623	17302	17821	17512	17924	17959	17458	17351	156
	700	21914	21515	22161	21776	22289	22331	21709	21576	207
112	350	14671	14404	14836	14578	14922	14950	14534	14445	121
	530	20844	20465	21078	20712	21200	21241	20649	20522	183
	700	25491	25027	25777	25330	25926	25976	25252	25097	241
128	350	16620	16317	16806	16515	16904	16936	16464	16363	137
	530	23623	23193	23889	23474	24027	24073	23402	23258	208
	700	28826	28301	29150	28644	29318	29374	28556	28381	275

PGR-3 3K Lumen Per Watt Chart										
# LEDs	Current (mA)	T1	T2	T3	T4	T4A	T5	T5W	T5WR	Wattage
96	350	118	116	119	117	120	120	117	116	103
	530	111	109	112	110	113	113	110	109	156
	700	104	102	105	103	105	106	103	102	207
112	350	118	116	120	118	120	121	117	117	121
	530	111	109	113	111	113	114	110	110	183
	700	103	102	105	103	105	105	102	102	241
128	350	119	117	120	118	121	121	118	117	137
	530	111	109	112	110	113	113	110	109	208
	700	103	101	104	102	104	105	102	101	275
PGR-3 4K Lumen Per Watt Chart										
# LEDs	Current (mA)	T1	T2	T3	T4	T4A	T5	T5W	T5WR	Wattage
96	350	120	118	121	119	122	122	119	118	103
	530	113	111	114	112	115	115	112	111	156
	700	106	104	107	105	107	107	108	105	104
112	350	121	118	122	120	123	123	120	119	121
	530	113	111	115	113	115	116	112	112	183
	700	105	103	107	105	107	107	107	104	241
128	350	121	119	122	120	123	123	120	119	137
	530	113	111	115	113	115	115	112	112	208
	700	105	103	106	104	106	107	104	103	275
PGR-3 5K Lumen Per Watt Chart										
# LEDs	Current (mA)	T1	T2	T3	T4	T4A	T5	T5W	T5WR	Wattage
96	350	120	118	122	120	122	123	119	118	103
	530	113	111	115	113	115	115	112	112	156
	700	106	104	107	105	108	108	105	104	207
112	350	121	119	122	120	123	123	120	119	121
	530	114	112	115	113	116	116	113	112	183
	700	106	104	107	105	107	108	105	104	241
128	350	121	119	123	121	124	124	120	120	137
	530	114	112	115	113	116	116	113	112	208
	700	105	103	106	104	107	107	104	103	275

PGR-3 3K BUG Chart																										
# LEDs	Current (mA)	T1			T2			T3			T4			T4A			T5			T5W			T5WR			Wattage
		B	U	G	B	U	G	B	U	G	B	U	G	B	U	G	B	U	G	B	U	G				
96	350	3	0	3	2	0	3	3	0	3	3	0	3	2	0	2	3	0	2	4	0	2	3	0	2	103
	530	4	0	4	3	0	3	3	0	3	3	0	3	3	0	2	4	0	2	4	0	3	4	0	2	156
	700	4	0	4	3	0	4	3	0	3	3	0	3	3	0	3	4	0	2	5	0	3	4	0	3	207
112	350	4	0	4	3	0	3	3	0	3	3	0	3	3	0	2	3	0	2	4	0	2	4	0	2	121
	530	4	0	4	3	0	4	3	0	3	3	0	3	3	0	3	4	0	2	5	0	3	4	0	2	183
	700	5	0	5	3	0	4	3	0	3	3	0	3	3	0	3	4	0	2	5	0	3	5	0	3	241
128	350	4	0	4	3	0	3	3	0	3	3	0	3	3	0	2	4	0	2	4	0	3	4	0	2	137
	530	4	0	4	3	0	4	3	0	3	3	0	3	3	0	3	4	0	2	5	0	3	4	0	3	208
	700	5	0	5	3	0	4	4	0	4	3	0	4	3	0	3	4	0	3	5	0	3	5	0	3	275
PGR-3 4K BUG Chart																										
# LEDs	Current (mA)	T1			T2			T3			T4			T4A			T5			T5W			T5WR			Wattage
		B	U	G	B	U	G	B	U	G	B	U	G	B	U	G	B	U	G	B	U	G	B	U	G	
96	350	3	0	3	2	0	3	3	0	3	3	0	3	2	0	2	3	0	2	4	0	2	3	0	2	103
	530	4	0	4	3	0	3	3	0	3	3	0	3	3	0	2	4	0	2	4	0	3	4	0	2	156
	700	4	0	4	3	0	4	3	0	3	3	0	3	3	0	3	4	0	2	5	0	3	4	0	3	207
112	350	4	0	4	3	0	3	3	0	3	3	0	3	3	0	2	3	0	2	4	0	2	4	0	2	121
	530	4	0	4	3	0	4	3	0	3	3	0	3	3	0	3	4	0	2	5	0	3	4	0	3	183
	700	5	0	5	3	0	4	3	0	3	3	0	3	3	0	3	4	0	2	5	0	3	5	0	3	241
128	350	4	0	4	3	0	3	3	0	3	3	0	3	3	0	2	4	0	2	4	0	3	4	0	2	137
	530	4	0	4	3	0	4	3	0	3	3	0	3	3	0	3	4	0	2	5	0	3	4	0	3	208
	700	5	0	5	3	0	4	4	0	4	3	0	4	3	0	3	4	0	3	5	0	3	5	0	3	275
PGR-3 5K BUG Chart																										
# LEDs	Current (mA)	T1			T2			T3			T4			T4A			T5			T5W			T5WR			Wattage
		B	U	G	B	U	G	B	U	G	B	U	G	B	U	G	B	U	G	B	U	G	B	U	G	
96	350	4	0	4	2	0	3	3	0	3	3	0	3	2	0	2	3	0	2	4	0	2	3	0	2	103
	530	4	0	4	3	0	3	3	0	3	3	0	3	3	0	2	4	0	2	4	0	3	4	0	2	156
	700	4	0	4	3	0	4	3	0	3	3	0	3	3	0	3	4	0	2	5	0	3	4	0	3	207
112	350	4	0	4	3	0	3	3	0	3	3	0	3	3	0	2	3	0	2	4	0	2	4	0	2	121
	530	4	0	4	3	0	4	3	0	3	3	0	3	3	0	3	4	0	2	5	0	3	4	0	3	183
	700	5	0	5	3	0	4	3	0	3	3	0	3	3	0	3	4	0	2	5	0	3	5	0	3	241
128	350	4	0	4	3	0	3	3	0	3	3	0	3	3	0	2	4	0	2	4	0	3	4	0	2	137
	530	4	0	4	3	0	4	3	0	3	3	0	3	3	0	3	4	0	2	5	0	3	4	0	3	208
	700	5	0	5	3	0	4	4	0	4	3	0	4	3	0	3	4	0	3	5	0	3	5	0	3	275



Project Name: _____

Catalog Number: _____

Type: _____

The **PGR-2 LED** luminaire from Visionaire incorporates our single chip LED technology while maintaining a traditional architectural form factor. The LEDs performance and life are maximized by the unique integral aluminum heat sink. It is an ideal retrofit for the high-maintenance HID fixtures of yesterday.

The LED housing is spun aluminum with either 64, 80 or 96 LEDs. Mounting options include a Universal Bolt-On Arm Mount, Yoke Mount, Mast Arm Fitter or Wall Mount.

Eight optical distribution patterns are available. Choose between 3000, 4000 or 5000 Kelvin temperature of the LED's.

A durable polyester powder coat finish is guaranteed for five years and is available in standard or custom colors.

The **PGR-2 LED** series is an exceptional choice for universities, shopping centers, parks and recreational areas and general site lighting.

Ordering Information

MODEL	OPTICS	LEDS	CURRENT	KELVIN	VOLTAGE	MOUNTING	FINISH	OPTIONS	OPTIONS
PGR-2	T1 Type 1	64LC	3 350mA	3K 3000K	UNV 120-277V	UBOA Universal Bolt-On Arm Mount	BZ Bronze	PCR-120 PCR-208	DIM 0-10v Dimming Driver
	T2 Type 2	80LC	5 530mA	4K 4000K	8 347V	YM Yoke Mount	BK Black	PCR-240 PCR-277	VWC Visionaire Wireless Controls Consult Factory
	T3 Type 3	96LC	7 700mA	5K 5000K	5 480V	WM Wall Mount	SBK Smooth Black	PCR-347 PCR-480	RPP Round Pole Plate Adaptor
	T4 Type 4					MA Mast Arm Fitter	WH White	PER 5PINPER	ROT-R Rotated Optics Right Side
	T4A Type 4 Automotive					GP Graphite	SWH Smooth White	7PINPER 3, 5, or 7 Pin Photo Receptacle w/shorting cap *Requires Dimming Driver	ROT-L Rotated Optics Left Side
	T5 Type 5					GY Grey		WSC-8 Motion Sensor 8' Mounting Height	CLS Back Side Cutoff Louver Shield
	T5W Type 5 Wide					SL Silver Metallic			
	T5WR Type 5 Wide Round					CC Custom Color		WSC-20 Motion Sensor 9-20' Mounting Height	
								WSC-40 Motion Sensor 21-40' Mounting Height	
								*The WSC options will require (1) FSIR 100 remote for programming	

Features & Specifications

Housing

Heavy duty spun aluminum housing with internal heat sink for maximum heat dissipation. Silicone gasket is used for weather tight operation.

Mounting

Universal Bolt On Arm - A pre-attached aluminum arm (UBOA) is supplied along with a Universal Quick Mount pole adaptor for fast and easy attachment to the pole.

Yoke Mount - A post top adaptor fits over a vertical 2 3/8" tenon secured with stainless steel hardware.

Mast Arm Fitter - fits over a horizontal 2 3/8" Tenon.

Wall Mount - Bolt-on arm wall plate

Thermal Management

The PGR-2 series provides excellent thermal management by mounting the LEDs to the substantial heat sink within the housing. This enables the luminaire to withstand higher ambient temperatures and driver currents without degrading LED life.

Optical System

High-performance acrylic optics feature industry leading Type I, II, III, IV and V optical distributions. Acrylic optics are impact-resistant and rated to 94 percent translucence.

L70 life of our LEDs is rated over 100,000 hours (for 700 mA), The optical system qualifies as IES full cutoff to restrict light trespass, glare and light pollution for neighborhood-friendly lighting.

CRI values are 70.

Quali-Guard® Finish

The finish is a Quali-Guard® textured, chemically pretreated through a multiple-stage washer, electrostatically applied, thermoset polyester powder coat finish, with a minimum of 3-5 millimeter thickness. Finish is oven-baked at 400° F to promote maximum adherence and finish hardness. All finishes are available in standard and custom colors.

Finish is guaranteed for five (5) years.

Electrical Assembly

The PGR-2 LED series is supplied with a choice of 350, 530 or 700mA high-performance LED drivers that accept 120v thru 480v, 50 Hz to 60 Hz, input. Power factor of 90%. Rated for -40°C operations. 10kV Surge Protector supplied as standard.

Warranty

· Five (5) year Limited Warranty on electrical components, Five (5) year on finish. For full warranty information, please visit visionairelighting.com.

Options

- Photocell & Receptacle
- 3, 5 & 7-Pin Receptacle
- 0-10 Volt Dimming Driver
- Motion Sensor/Control Watt Stopper FSP-211
- Wireless Controls
- Round Pole Plate Adapter
- Cutoff Louver Shield

Listings

- IP65 Rated
- Powder Coated Tough
- IDA Certification
- PGR-2 is cUL listed, suitable for wet locations.



3000K must be selected for IDA certification.
Fixed mount must be selected for IDA dark sky certification.

Motion Sensor Default Setting									
FSP - 211	High Mode	Low Mode	Time Delay	Cut Off Delay	Sensitivity	Hold Off Setpoint	Photocell On/Off	Ramp Up Time	Fade Down Time
WSC - Default	10V	1V	5 Minutes	1 Hour	Max	Disabled	Disabled	Disabled	Disabled
WSC Range	0-10V	0-9.8V	5-30 Minutes	1-5 Hours	Low, Med, Max	1-250FC	1-250FC	1-60 Dec	1-60 Dec

*Settings can be field modified with the FSIR-100 Programming remote

Photometric Optical Summary

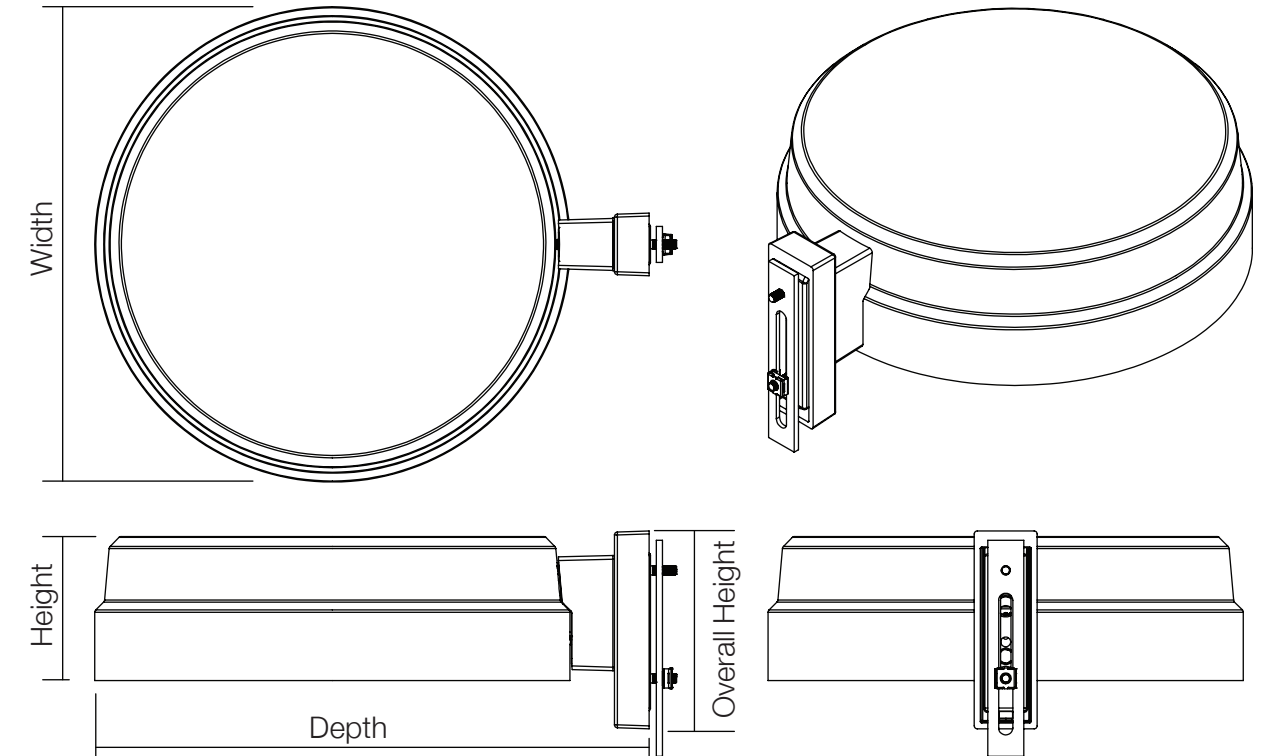
	T1 Type 1	T2 Type 2	T3 Type 3	T4 Type 4	T4A Type 4 Automotive	T5 Type 5	T5W Type 5 Wide	T5WR Type 5 Wide Round
EPA Data								
	0.75	1.47	1.5	2.22	2.1	2.22		

Dimensions

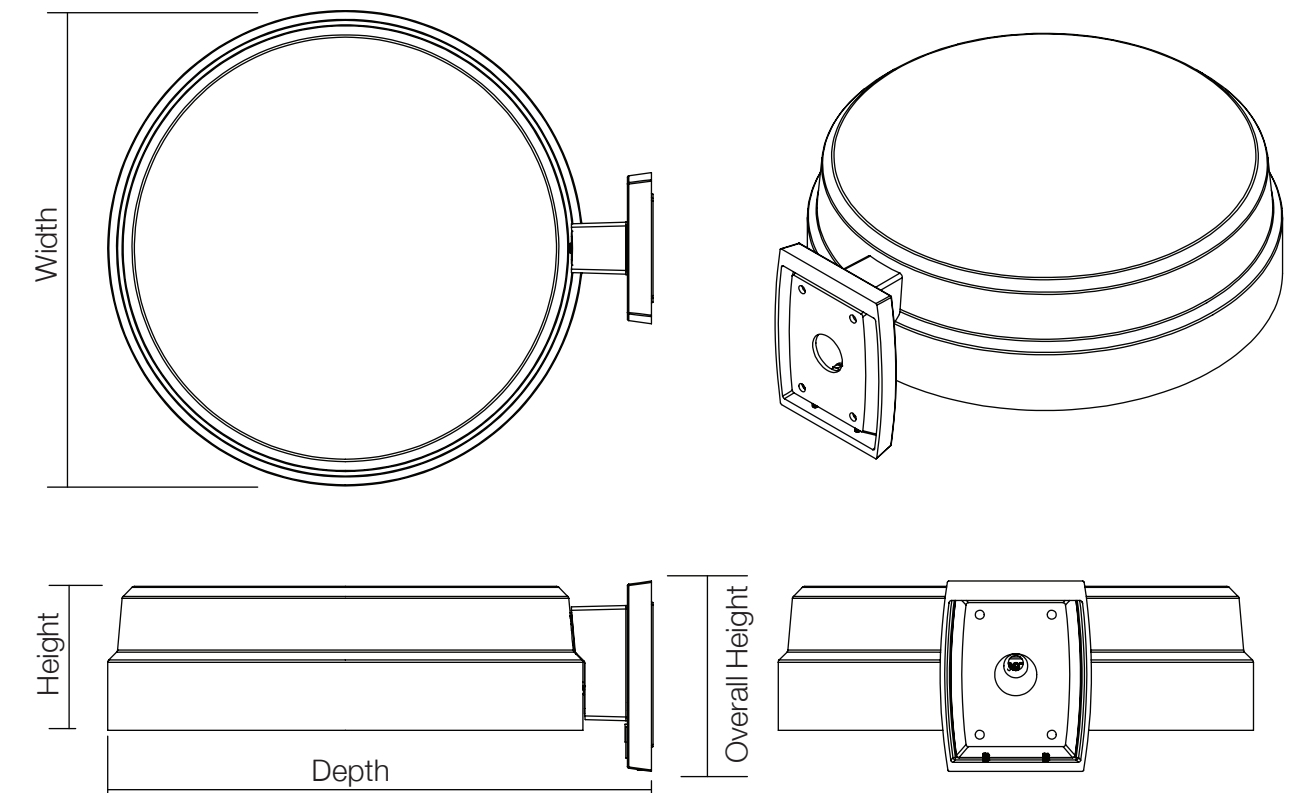
Universal Bolt-On Arm Mount		Wall Mount		Yoke Mount	
Width:	PGR-2 20"	Width:	PGR-2 20"	Width:	PGR-2 20"
Depth:	PGR-2 23"	Depth:	PGR-2 22.5"	Depth:	PGR-2 20"
Height:	PGR-2 6.0"	Height:	PGR-2 6.0"	Height:	PGR-2 6.0"
Overall Height:	PGR-2 8.25"	Overall Height:	PGR-2 8"	Overall Height:	PGR-2 25"
Weight:	26 LBS	Weight:	26 LBS	Weight:	26 LBS

Mast Arm	
Width:	PGR-2 20"
Depth:	PGR-2 28"
Height:	PGR-2 6.0"
Weight:	26 LBS

Universal Bolt-On Arm Mount



Wall Mount



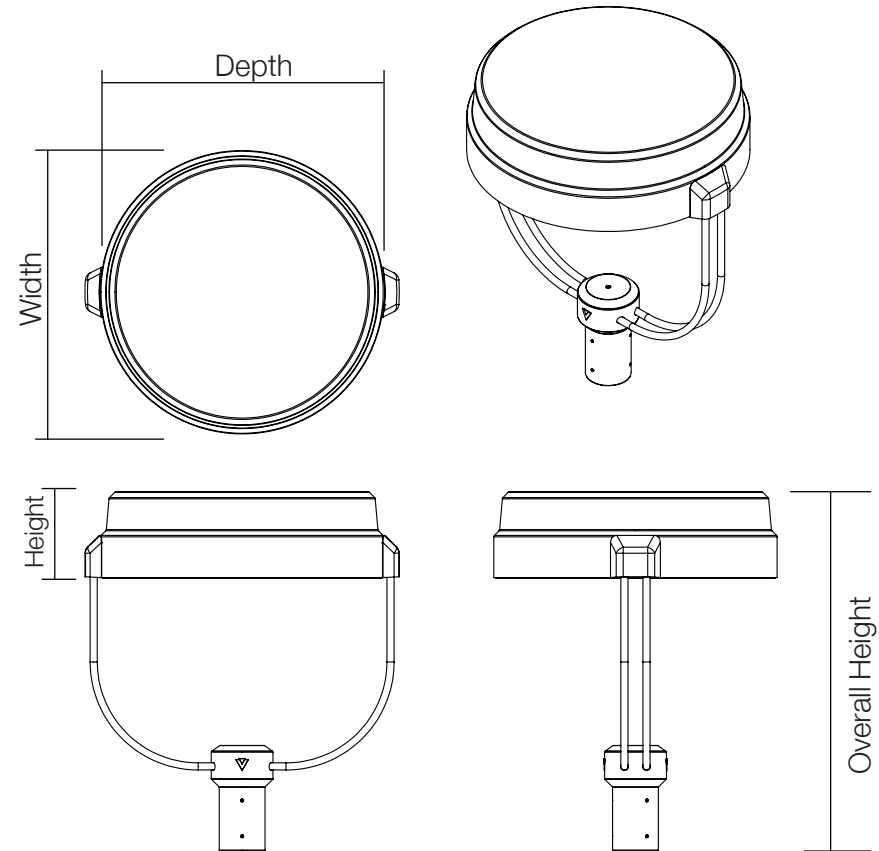
3K LPW DATA										
# LEDs	mA	T1	T2	T3	T4	T4A	T5	T5W	T5WR	Watts
530	105	106	102	103	111	112	109	108	105	
700	94	95	92	92	100	100	98	97	139	
80	350	113	114	110	111	119	120	117	116	85
	530	104	105	101	102	110	111	108	107	129
	700	97	98	95	96	103	104	101	100	171
96	350	110	111	107	108	116	117	114	113	100
	530	100	101	98	99	106	107	105	103	154
	700	91	92	89	89	96	97	95	94	214
4K LPW DATA										
64	350	124	125	121	122	132	133	129	128	69
	530	116	117	113	114	123	124	121	119	105
	700	104	105	102	102	110	111	108	107	139
80	350	125	126	122	122	132	133	130	128	85
	530	115	116	112	113	122	123	120	118	129
	700	108	109	105	106	114	115	112	111	171
96	350	121	122	118	119	128	129	126	125	100
	530	111	112	109	109	118	119	116	114	154
	700	101	102	98	99	107	108	105	104	214
5K LPW DATA										
64	350	124	125	121	122	132	133	129	128	69
	530	116	117	113	114	123	124	121	119	105
	700	104	105	102	102	110	111	108	107	139
80	350	125	126	122	122	132	133	130	128	85
	530	115	116	112	113	122	123	120	118	129
	700	108	109	105	106	114	115	112	111	171
96	350	121	122	118	119	128	129	126	125	100
	530	111	112	109	109	118	119	116	114	154
	700	101	102	98	99	107	108	105	104	214

Visit www.visionairelighting.com for up-to-the-minute chart information, including types not listed here.

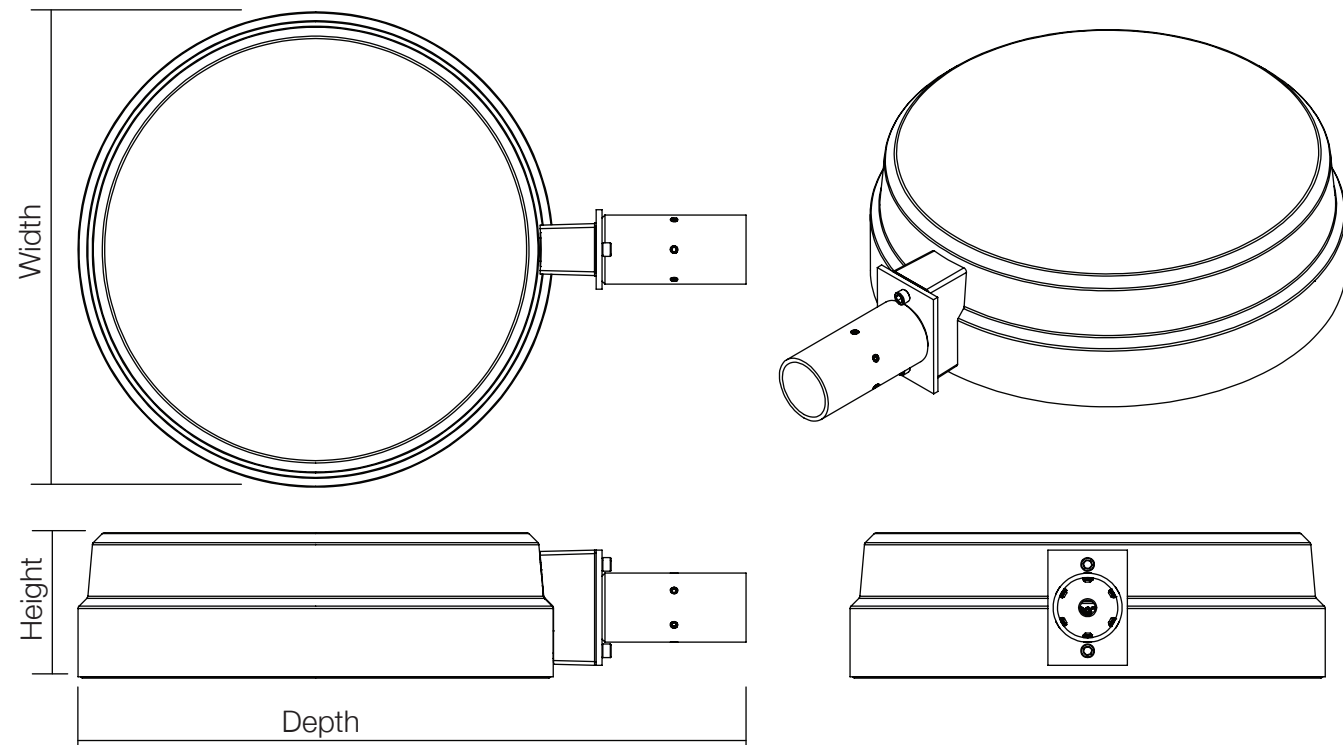
3K BUG DATA																										
# LEDs	mA	T1			T2			T3			T4			T4A			T5			T5W			T5WR			Watts
		B	U	G	B	U	G	B	U	G	B	U	G	B	U	G	B	U	G	B	U	G				
64	350	3	0	3	2	0	2	2	0	2	2	0	2	2	0	1	3	0	2	4	0	2	3	0	1	76
	530	3	0	3	2	0	2	3	0	3	2	0	2	2	0	2	3	0	2	4	0	2	3	0	2	104
	700	3	0	3	3	0	3	3	0	3	3	0	3	3	0	2	3	0	2	4	0	2	4	0	2	143
80	350	3	0	3	2	0	2	2	0	2	2	0	2	2	0	2	3	0	1	3	0	2	3	0	2	95
	530	3	0	3	3	0	3	3	0	3	3	0	3	3	0	2	3	0	2	4	0	2	4	0	2	130
	700	3	0	3	3	0	3	3	0	3	3	0	3	3	0	2	4	0	2	4	0	2	4	0	2	178
96	350	3	0	3	2	0	2	3	0	3	2	0	2	2	0	2	3	0	2	4	0	2	3	0	2	114
	530	3	0	3	3	0	3	3	0	3	3	0	3	3	0	2	4	0	2	4	0	2	4	0	2	156
	700	4	0	4	3	0	3	3	0	3	3	0	3	3	0	3	4	0	2	5	0	3	4	0	2	214
4K BUG DATA																										
64	350	3	0	3	2	0	2	2	0	2	2	0	2	2	0	1	3	0	1	3	0	2	3	0	2	76
	530	3	0	3	2	0	2	3	0	3	3	0	3	2	0	2	3	0	2	4	0	2	4	0	2	104
	700	3	0	3	3	0	3	3	0	3	3	0	3	3	0	2	3	0	2	4	0	2	4	0	2	143
80	350	3	0	3	2	0	2	3	0	3	2	0	2	2	0	2	3	0	2	4	0	2	3	0	2	95
	530	3	0	3	3	0	3	3	0	3	3	0	3	3	0	2	4	0	2	4	0	2	4	0	2	130
	700	4	0	4	3	0	3	3	0	3	3	0	3	3	0	2	4	0	2	4	0	2	4	0	2	178
96	350	3	0	3	2	0	2	3	0	3	3	0	3	2	0	2	3	0	2	4	0	2	4	0	2	114
	530	4	0	4	3	0	3	3	0	3	3	0	3	3	0	2	4	0	2	4	0	2	4	0	2	156
	700	4	0	4	3	0	3	3	0	3	3	0	3	3	0	3	4	0	2	5	0	3	4	0	2	214
5K BUG DATA																										
64	350	3	0	3	2	0	2	2	0	2	2	0	2	2	0	1	3	0	1	3	0	2	3	0	2	76
	530	3	0	3	2	0	2	3	0	3	3	0	3	2	0	2	3	0	2	4	0	2	4	0	2	104
	700	3	0	3	3	0	3	3	0	3	3	0	3	3	0	2	3	0	2	4	0	2	4	0	2	143
80	350	3	0	3	2	0	2	3	0	3	2	0	2	2	0	2	3	0	2	4	0	2	3	0	2	95
	530	3	0	3	3	0	3	3	0	3	3	0	3	3	0	2	4	0	2	4	0	2	4	0	2	130
	700	4	0	4	3	0	3	3	0	3	3	0	3	3	0	2	4	0	2	4	0	2	4	0	2	178
96	350	3	0	3	2	0	2	3	0	3	3	0	3	2	0	2	3	0	2	4	0	2	4	0	2	114
	530	4	0	4	3	0	3	3	0	3	3	0	3	3	0	2	4	0	2	4	0	2	4	0	2	156
	700	4	0	4	3	0	3	3	0	3	3	0	3	3	0	3	4	0	2	5	0	3	4	0	2	214

Visit www.visionairelighting.com for up-to-the-minute chart information, including types not listed here.

Yoke Mount



Mast Arm



3K LUMEN DATA										
# LEDs	mA	T1	T2	T3	T4	T4A	T5	T5W	T5WR	Watts
64	350	7734	7804	7553	7603	8190	8256	8055	7958	69
	530	10993	11093	10735	10807	11642	11736	11450	11312	105
	700	13038	13156	12732	12817	13807	13918	13579	13415	139
80	350	9543	9630	9319	9381	10106	10188	9939	9820	85
	530	13424	13546	13110	13197	14217	14331	13982	13813	129
	700	16634	16785	16244	16352	17616	17758	17325	17116	171
96	350	10930	11029	10674	10745	11575	11668	11384	11247	100
	530	15501	15642	15137	15238	16416	16548	16144	15950	154
	700	19437	19613	18981	19107	20584	20749	20244	20000	214
4K LUMEN DATA										
64	350	8562	8639	8361	8416	9067	9140	8917	8810	69
	530	12170	12280	11884	11963	12888	12992	12675	12522	105
	700	14433	14564	14094	14188	15285	15408	15032	14851	139
80	350	10564	10660	10317	10385	11188	11278	11003	10870	85
	530	14861	14996	14512	14609	15738	15865	15478	15291	129
	700	18414	18582	17983	18102	19501	19658	19179	18948	171
96	350	12100	12210	11816	11895	12814	12917	12602	12450	100
	530	17160	17315	16757	16869	18172	18318	17872	17657	154
	700	21517	21712	21012	21152	22787	22970	22410	22140	214
5K LUMEN DATA										
64	350	8562	8639	8361	8416	9067	9140	8917	8810	69
	530	12170	12280	11884	11963	12888	12992	12675	12522	105
	700	14433	14564	14094	14188	15285	15408	15032	14851	139
80	350	10564	10660	10317	10385	11188	11278	11003	10870	85
	530	14861	14996	14512	14609	15738	15865	15478	15291	129
	700	18414	18582	17983	18102	19501	19658	19179	18948	171
96	350	12100	12210	11816	11895	12814	12917	12602	12450	100
	530	17160	17315	16757	16869	18172	18318	17872	17657	154
	700	21517	21712	21012	21152	22787	22970	22410	22140	214

Visit www.visionairelighting.com for up-to-the-minute chart information, including types not listed here.



Project Name:

Catalog Number:

Type:

The **PGR-1 LED** luminaire from Visionaire incorporates our single chip LED technology; while maintaining a traditional architectural fixture form factor. The LEDs performance and life are maximized by the unique integral aluminum heat sink. It is an ideal retrofit for the high-maintenance HID fixtures of yesterday.

The LED housing is heavy duty spun aluminum with either 16, 32 or 48 LEDs. Mounting options include Universal Bolt On Arm, Yoke Mount, Knuckle Mount or Wall Mount. The Universal Bolt on Arm is available with a Quick Mount Pole Adaptor for retrofitting existing poles.

Seven optical distribution patterns are available. Choose between 3000, 4000 or 5000 Kelvin temperature of the LEDs.

A durable polyester powder coat finish is guaranteed for five years and is available in standard or custom colors.

The **PGR-1 LED** series is an exceptional choice for universities, shopping centers, parks and recreational areas and general site lighting.

Ordering Information

MODEL	OPTICS	LEDs	CURRENT	KELVIN	VOLTAGE	MOUNTING	FINISH	OPTIONS	OPTIONS
PGR-1	T1 Type 1	16LC	3 350mA	3K 3000K	UNV 120-277V	AM Arm Mount	BZ Bronze	PCR-120 PCR-208 PCR-240 PCR-277 PCR-347 PCR-480 PhotoCell & Receptacle	DIM 0-10v Dimming Driver
	T2 Type 2	32LC 48LC	5 530mA	4K 4000K	8 347V	YM Yoke Mount *Slips over 2 3/8" tenon	BK Black	VWC Visionaire Wireless Controls Consult Factory	VWC Visionaire Wireless Controls Consult Factory
	T3 Type 3		7 700mA	5K 5000K	5 480V	WM Wall Mount	SBK Smooth Black	RPP Round Pole Plate Adaptor	
	T4 Type 4					SM Spider Mount *Slips over 2 3/8" tenon	WH White	PER 5PINPER 7PINPER 3, 5, or 7 Pin Photo Receptacle w/shorting cap Requires Dimming Driver	ROT-R Rotated Optics Right Side
	T4A Type 4 Automotive					KM Knuckle Mount	SWH Smooth White		ROT-L Rotated Optics Left Side
	T5 Type 5					UBOA Universal Bolt-On Arm	GP Graphite	WSC-8 Motion Sensor 8' Mounting Height	CLS Back Side Cutoff Louver Shield
	T5W Type 5 Wide					*Round Pole Plate Adaptors (RPP) are to be ordered separately.	GY Grey	WSC-20 Motion Sensor 9-20' Mounting Height	
	T5WR Type 5 Wide Round						SL Silver Metallic	WSC-40 Motion Sensor 21-40' Mounting Height	
							CC Custom Color	The WSC options will require (1) FSIR 100 remote for programming	

Features & Specifications

Housing

Heavy duty spun aluminum housing with internal heat sink for maximum heat dissipation. Silicone gasket is used for weather tight operation.

Mounting

Universal Bolt On Arm - A pre-attached aluminum arm (UBOA) is supplied along with a Universal Quick Mount pole adaptor for fast and easy attachment to the pole.

Yoke Mount - A post adaptor fits over a vertical 2 3/8" tenon secured with stainless steel hardware.

Spider Mount - A post adaptor fits over a vertical 2 3/8" tenon secured with stainless steel hardware.

Knuckle Mount - An adjustable knuckle slip fits over a 2-3/8" Tenon, and allows for up to 90 degrees of vertical adjustment in 10° increments from horizontal.

Wall Mount - Bolt-on arm wall plate

Thermal Management

The PGR-1 series provides excellent thermal management by mounting the LEDs to the substantial heat sink within the housing. This enables the Luminaire to withstand higher ambient temperatures and driver currents without degrading LED life.

Optical System

The highest lumen output LEDs are utilized. High-performance acrylic optics feature industry leading Type I, II, III, IV and V optical distributions. Acrylic optics are impact-resistant and rated to 94 percent translucence.

L70 life of our LEDs is rated over 100,000 hours (for 700 mA), The optical system qualifies as IES full cutoff to restrict light trespass, glare and light pollution for neighborhood-friendly lighting. CRI values are 70.

Quali-Guard® Finish

The finish is a Quali-Guard® textured, chemically pretreated through a multiple-stage washer, electrostatically applied, thermoset polyester powder coat finish, with a minimum of 3-5 millimeter thickness. Finish is

Electrical Assembly

The PGR-1 LED series is supplied with a choice of 350, 530 or 700 mA high-performance LED drivers that accept 120v thru 480v, 50 Hz to 60 Hz, input.

- Power factor of 90%.
- Rated for -40°C operations.
- 10kV Surge Protector supplied as standard.
- THD less than or equal to 20%

Warranty

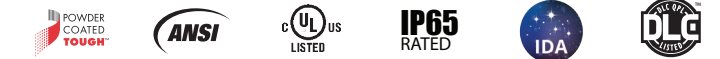
• Five (5) year Limited Warranty on electrical components, Five (5) year on finish. For full warranty information, please visit www.visionairelighting.com.

Options

- Photocell & Receptacle
- Photocell Receptacle
- Motion Sensor/Control Watt Stopper FSP-211
- 0-10 Volt Dimming Driver
- Emergency Battery Pack
- Wireless Controls
- Round Pole Plate Adapter
- Rotated Optics
- Cutoff Louver Shield

Listings

- PGR-1 is cUL listed, suitable for wet locations.
- IP65 Rated
- Powder Coated Tough
- DLC Listed
- IDA Certification



DesignLights Consortium (DLC) qualified Product. Some configurations of this product family may not be DesignLights Consortium (DLC) listed, please refer to the DLC qualified products list to confirm listed configurations. <http://www.designlights.org/> 3000K must be selected for IDA certification. Fixed mount must be selected for IDA dark sky certification.

Motion Sensor Default Setting									
FSP - 211	High Mode	Low Mode	Time Delay	Cut Off Delay	Sensitivity	Hold Off Setpoint	Photocell On/Off	Ramp Up Time	Fade Down Time
WSC - Default	10V	1V	5 Minutes	1 Hour	Max	Disabled	Disabled	Disabled	Disabled
WSC Range	0-10V	0-9.8V	5-30 Minutes	1-5 Hours	Low, Med, Max	1-250FC	1-250FC	1-60 Dec	1-60 Dec

*Settings can be field modified with the FSIR-100 Programming remote

Photometric Optical Summary



EPA Data						
	0.70	1.08	1.4	1.56	1.78	1.56

Dimensions

Universal Bolt-On Arm

Width:	PGR-1 16"
Depth:	PGR-1 5.0"
Height:	PGR-1 5.0"
Overall Height:	PGR-1 0.0"
Weight:	20 LBS

Yoke Mount

Width:	PGR-1 16"
Depth:	PGR-1 5.0"
Height:	PGR-1 5.0"
Overall Height:	PGR-1 0.0"
Weight:	20 LBS

Knuckle Mount

Width:	PGR-1 16"
Depth:	PGR-1 5.0"
Height:	PGR-1 5.0"
Overall Height:	PGR-1 0.0"
Weight:	20 LBS

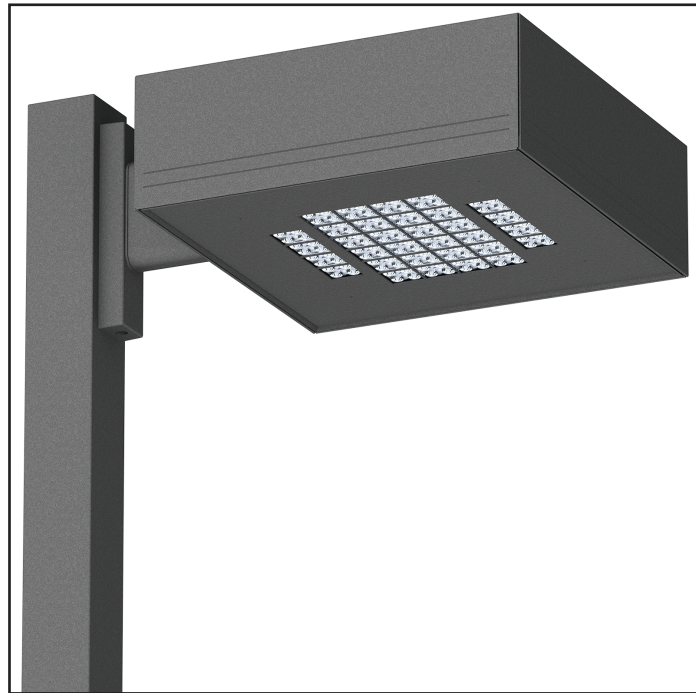
Wall Mount

Width:	PGR-1 16"
Depth:	PGR-1 5.0"
Height:	PGR-1 5.0"
Overall Height:	PGR-1 0.0"
Weight:	20 LBS

3K Lumen Data									
LEDS	mA	T1	T2	T3	T4	T5	T5W	T5WR	Watts
16	350	2250	2081	2073	2032	2277	2056	2073	18
	530	3239	2997	2986	2926	3279	2961	2986	26
	700	4273	3954	4180	3860	4169	3906	3939	37
32	350	4761	4405	4388	4300	4819	4352	4388	35
	530	6817	6308	6283	6158	6900	6231	6284	52
	700	8619	7975	7944	7785	8723	7878	7944	71
48	350	7136	6603	6577	6446	7223	6523	6577	53
	530	9566	8851	8817	8641	9682	8744	8817	78
	700	12850	11890	11843	11607	13006	11745	11844	107
4K Lumen Data									
16	350	2368	2191	2183	2126	2397	2164	2183	18
	530	3410	3155	3143	3080	3451	3117	3143	26
	700	4498	4162	4400	4063	4388	4112	4146	37
32	350	5011	4637	4619	4527	5072	4581	4619	35
	530	7176	6640	6614	6482	7263	6559	6614	52
	700	9072	8394	8362	8195	9182	8292	8362	71
48	350	7512	6950	6923	6785	7603	6866	6924	53
	530	10070	9317	9281	9096	10192	9204	9281	78
	700	13526	12515	12467	12218	13690	12364	12467	107
5K Lumen Data									
16	350	2272	2102	2094	2053	2300	2077	2079	18
	530	3272	3028	3016	2956	3312	2991	2993	26
	700	4316	3994	4222	3899	4211	3945	3949	37
32	350	4809	4450	4432	4649	4867	4396	4399	35
	530	6886	6372	6347	6220	6970	6294	6299	52
	700	8706	8055	8024	7864	8811	7957	7964	71
48	350	7208	6670	6644	6452	7296	6589	6594	53
	530	9663	8941	8906	8728	9780	8832	8839	78
	700	12980	12010	11963	11724	13137	11864	11873	107

3K LPW Data									
LEDS	mA	T1	T2	T3	T4	T5	T5W	T5WR	Watts
16	350	127	117	117	115	128	116	117	18
	530	124	115	115	112	126	114	115	26
	700	116	108	114	105	114	106	107	37
32	350	135	125	125	122	137	124	125	35
	530	131	121	121	118	133	120	121	52
	700	121	112	112	110	123	111	112	71
48	350	135	125	124	122	136	123	124	53
	530	123	113	113	111	124	112	113	78
	700	120	111	111	108	122	110	111	107
4K LPW Data									
16	350	133	124	123	120	135	122	123	18
	530	131	121	121	118	132	120	121	26
	700	123	113	120	111	120	112	113	37
32	350	142	132	131	128	144	130	131	35
	530	138	128	127	125	140	126	127	52
	700	128	118	118	115	129	117	118	71
48	350	142	131	131	128	143	130	131	53
	530	129	119	119	117	131	118	119	78
	700	126	117	117	114	128	116	117	107
5K LPW Data									
16	350	128	119	118	116	130	117	117	18
	530	126	116	116	113	127	115	115	26
	700	118	109	115	106	115	108	108	37
32	350	137	126	126	132	138	125	125	35
	530	132	123	122	120	134	121	121	52
	700	123	113	113	111	124	112	112	71
48	350	136	126	125	122	138	124	124	53
	530	124	115	114	112	125	113	113	78
	700	121	112	112	110	123	111	111	107

PGR-1 3K BUG Data																				
LEDS	mA	T1			T2			T3			T4			T5			T5W			Watts
		B	U	G	B	U	G	B	U	G	B	U	G	B	U	G	B	U	G	
16	350	1	0	1	1	0	1	0	0	1	1	0	1	1	0	0	2	0	1	18
	530	2	0	2	1	0	1	1	0	1	1	0	1	2	0	0	2	0	1	26
	700	2	0	2	1	0	2	1	0	1	1	0	1	2	0	1	2	0	1	37
32	350	3	0	3	2	0	2	1	0	2	1	0	2	3	0	1	3	0	1	35
	530	3	0	3	2	0	2	1	0	2	1	0	2	3	0	1	3	0	1	52
	700	3	0	3	2	0	2	1	0	2	2	0	2	3	0	1	3	0	2	71
48	350	3	0	3	2	0	2	1	0	2	2	0	2	3	0	1	3	0	1	53
	530	3	0	3	2	0	3	1	0	2	2	0	2	3	0	1	3	0	2	78
	700	3	0	3	3	0	3	2	0	2	2	0	2	3	0	2	4	0	2	107
PGR-1 4K BUG Data																				
LEDS	mA	T1			T2			T3			T4			T5			T5W			Watts
		B	U	G	B	U	G	B	U	G	B	U	G	B	U	G	B	U	G	
16	350	1	0	1	1	0	1	0	0	1	1	0	1	1	0	0	2	0	1	18
	530	2	0	2	1	0	1	1	0	1	1	0	1	2	0	0	2	0	1	26
	700	2	0	2	1	0	2	1	0	1	1	0	1	2	0	1	3	0	1	37
32	350	3	0	3	2	0	2	1	0	2	1	0	2	3	0	1	3	0	1	35
	530	3	0	3	2	0	2	1	0	2	2	0	2	3	0	1	3	0	1	52
	700	3	0	3	2	0	2	1	0	2	2	0	2	3	0	1	3	0	2	71
48	350	3	0	3	2	0	2	1	0	2	2	0	2	3	0	1	3	0	1	53
	530	3	0	3	2	0	3	1	0	2	2	0	2	3	0	1	3	0	2	78
	700	3	0	3	3	0	3	2	0	2	2	0	2	3	0	2	4	0	2	107
PGR-1 5K BUG Data																				
LEDS	mA	T1			T2			T3			T4			T5			T5W			Watts
		B	U	G	B	U	G	B	U	G	B	U	G	B	U	G	B	U	G	
16	350	1	0	1	1	0	1	0	0	1	1	0	1	1	0	0	2	0	1	18
	530	2	0	2	1	0	1	1	0	1	1	0	1	2	0	0	2	0	1	26
	700	2	0	2	1	0	2	1	0	1	1	0	1	2	0	1	2	0	1	37
32	350	2	0	2	1	0	2	1	0	1	1	0	1	2	0	1	3	0	1	35
	530	3	0	3	2	0	2	1	0	2	1	0	2	3	0	1	3	0	1	52
	700	3	0	3	2	0	2	1	0	2	2	0	2	3	0	1	3	0	2	71
48	350	3	0	3	2	0	2	1	0	2	2	0	2	3	0	1	3	0	1	53
	530	3	0	3	2	0	3	1	0	2	2	0	2	3	0	1	3	0	2	78
	700	3	0	3	3	0	3	2	0	2	2	0	2	3	0	2	4	0	2	107



Project Name: _____

Catalog Number: _____

Type: _____

The **PGS-3** luminaire from Visionaire combines contemporary design with new LED technology while maintaining traditional fixture design forms. The LED performance and life are optimized by the unique integral aluminum heat sink, making them an ideal replacement for the high-maintenance fluorescent or HID fixtures of yesterday.

The LED housing is formed aluminum; with either 96, 112 or 128 LED Arrays. Mounting options include Yoke Mount, or Universal Bolt-On Arm. The Universal Bolt-on Arm Mount is available with a Quick Mount Pole Adaptor and is perfect for retrofitting existing poles.

Eight optical distribution patterns are available. Choose between 3000, 4000 or 5000 Kelvin temperature of the LED Arrays.

A durable polyester powder coat finish is guaranteed for five years; and is available in standard or custom colors.

The **PGS-3** LED series is an exceptional choice for universities, shopping centers, parks and recreational areas; and general site lighting.

Ordering Information

MODEL	OPTICS	LEDS	CURRENT	KELVIN	VOLTAGE	MOUNTING	FINISH	OPTIONS	OPTIONS
PGS-3	T1 Type 1	96LC	3 350mA	3K 3000K	UNV 120-277V	YM Yoke Mount	BZ Bronze	PCR-120 PCR-208	DIM 0-10v Dimming Driver
	T2 Type 2	112LC	5 530mA	4K 4000K	8 347V	UBOA Universal Bolt-On Arm Mount	BK Black	PCR-240 PCR-277 PCR-347	VWC Visionaire Wireless Controls Consult Factory
	T3 Type 3	128LC	7 700mA	5K 5000K	5 480V	Round Pole Plate Adaptors (RPP) are to be ordered separately.	SBK Smooth Black	PCR-480 Photocell & Receptacle	RPP Round Pole Plate Adaptor
	T4 Type 4						WH White	PER 5PINPER 7PINPER	ROT-R Rotated Optics Right Side
	T4A Type 4 Automotive						SWH Smooth White	3, 5, or 7 Pin Photo Receptacle w/shorting cap *Requires Dimming Driver	ROT-L Rotated Optics Left Side
	T5 Type 5						GP Graphite		CLS Back Side Cutoff Louver Shield
	T5W Type 5 Wide						GY Grey	WSC-8 Motion Sensor 8' Mounting Height	
	T5WR Type 5 Wide Round						SL Silver Metallic	WSC-20 Motion Sensor 9-20' Mounting Height	
							CC Custom Color	WSC-40 Motion Sensor 21-40' Mounting Height	
								*The WSC options will require (1) FSIR 100 remote for programming	

Features & Specifications

Housing

Heavy duty formed aluminum housing with internal heat sink for maximum heat dissipation. Silicone gasket is used for weather tight operation.

Mounting

For post top mounting, an adaptor fits over a 2 3/8" tenon secured with stainless steel hardware.

For retro-fit applications, a Pre-Attached Aluminum Arm (UBOA) is supplied along with a Universal Quick Mount pole adaptor for fast and easy attachment to the pole.

Thermal Management

The PGS-3 Array series provides excellent thermal management by mounting the LEDs to the substantial heat sink within the housing. This enables the luminaire to withstand higher ambient temperatures and drive currents without degrading LED life.

Optical System

The highest lumen output LEDs are utilized. High-performance acrylic optics feature industry leading Type I, II, III, IV and V optical distributions. Acrylic optics are impact-resistant and rated to 94 percent translucence.

L70 life of our LEDs is rated over 100,000 hours (for 350 mA), The optical system qualifies as as U-0 to restrict light trespass, glare and light pollution for neighborhood-friendly lighting. CRI values are 70.

Quali-Guard® Finish

The finish is a Quali-Guard® textured, chemically pretreated through a multiple-stage washer, electrostatically applied, thermoset polyester powder coat finish, with a minimum of 3-5 millimeter thickness. Finish is oven-baked at 400° F to promote maximum adherence and finish hardness. All finishes are available in standard and custom colors. Finish is guaranteed for five (5) years.

Electrical Assembly

The PGS-3 LED series is supplied with a choice of 350, 530, or 700mA high-performance LED engines that accept 120v thru 480v, 50 Hz to 60 Hz, input. Power factor of 90%. Rated for -40°C operations. 10kV Surge Protector supplied as standard.

Warranty

· Five (5) year Limited Warranty on electrical components, Five (5) year on finish. For full warranty information, please visit visionairelighting.com.

Options

- Photocell & Receptacle
- 0-10 Volt Dimming Driver
- Motion Sensor/Control Watt Stopper FSP-211
- Emergency Battery Pack
- Round Pole Plate Adapter
- Cutoff Louver Shield

Listings

- PGS-3 is cUL listed, suitable for wet locations.
- IP65 Rated
- Powder Coated Tough
- IDA Certification
- DLC listed



3000K must be selected for IDA certification.
Fixed mount must be selected for IDA dark sky certification.

Motion Sensor Default Setting									
FSP - 211	High Mode	Low Mode	Time Delay	Cut Off Delay	Sensitivity	Hold Off Setpoint	Photocell On/Off	Ramp Up Time	Fade Down Time
WSC - Default	10V	1V	5 Minutes	1 Hour	Max	Disabled	Disabled	Disabled	Disabled
WSC Range	0-10V	0-9.8V	5-30 Minutes	1-5 Hours	Low, Med, Max	1-250FC	1-250FC	1-60 Dec	1-60 Dec

*Settings can be field modified with the FSIR-100 Programming remote

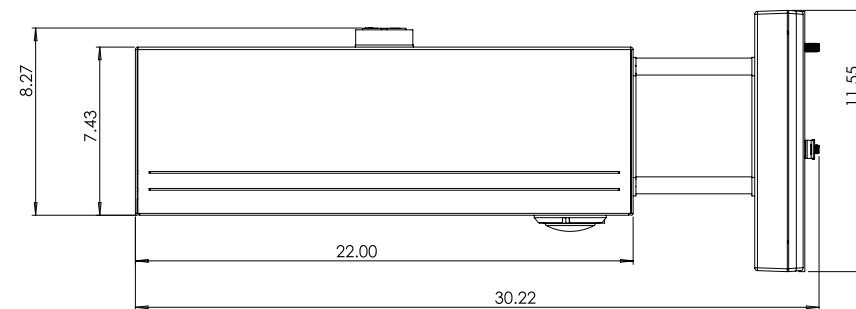
Photometric Optical Summary

	T1 Type 1	T2 Type 2	T3 Type 3	T4 Type 4	T4A Type 4 Automotive	T5 Type 5	T5W Type 5 Wide	T5WR Type 5 Wide Round
EPA Data								
	0.75	1.47	1.5	2.22	2.1	2.22		

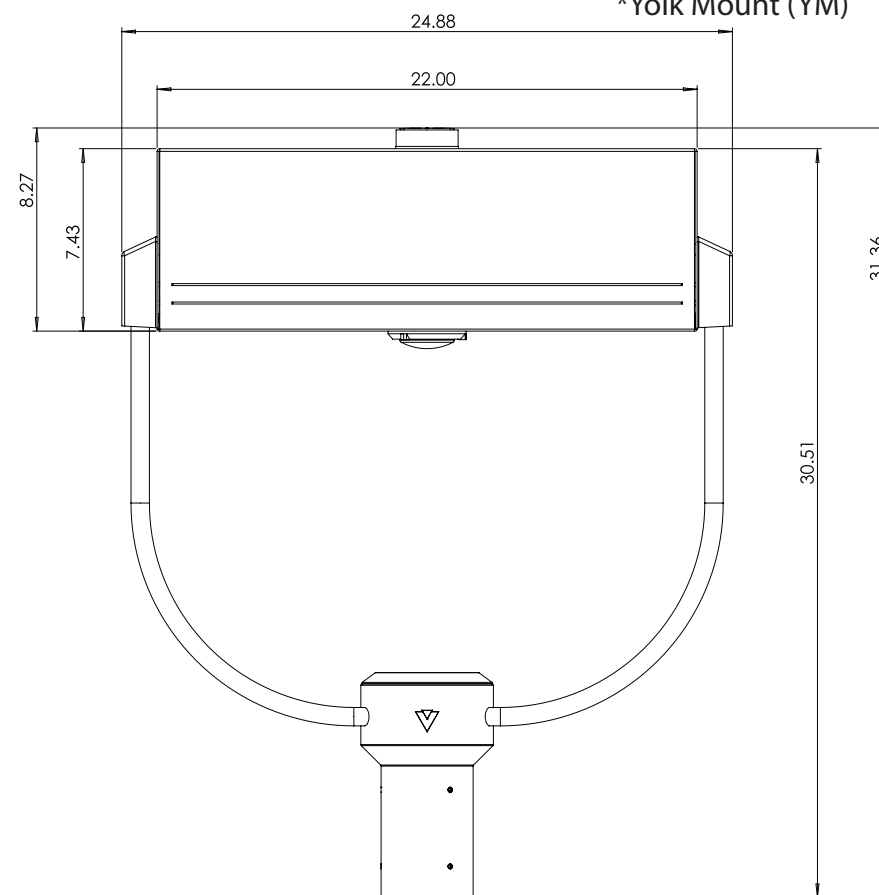
Dimensions

Width:	PGS-3 22"
Depth:	PGS-3 30"
Height:	PGS-3 7.5"
Overall Height:	PGS-3 11.5/31.5"
Weight:	28 LBS

*Universal Bolt-On Arm (UBOA)



*Yolk Mount (YM)



PGS-3 3K Lumen Chart										
# LEDs	Current (mA)	T1	T2	T3	T4	T4A	T5	T5W	T5WR	Wattage
96	350	12062	11843	12198	11986	12268	12292	11949	11876	103
	530	17244	16930	17438	17135	17539	17572	17083	16978	156
	700	21443	21053	21684	21307	21809	21851	21242	21112	207
112	350	14356	14094	14517	14265	14601	14629	14221	14134	121
	530	20396	20024	20625	20267	20744	20784	20205	20081	183
	700	24943	24489	25223	24785	25369	25417	24709	24557	241
128	350	16262	15966	16445	16159	16540	16572	16110	16011	137
	530	23115	22694	23375	22969	23510	23555	22899	22758	208
	700	28206	27693	28523	28028	28688	28743	27942	27770	275

PGS-3 4K Lumen Chart										
# LEDs	Current (mA)	T1	T2	T3	T4	T4A	T5	T5W	T5WR	Wattage
96	350	12290	12067	12429	12213	12500	12524	12175	12101	103
	530	17570	17250	17768	17459	17870	17904	17406	17299	156
	700	21848	21450	22094	21710	22221	22264	21644	21511	207
112	350	14627	14361	14791	14534	14877	14905	14490	14401	121
	530	20781	20403	21015	20650	21136	21177	20587	20460	183
	700	25414	24951	25700	25253	25848	25898	25176	25021	241
128	350	16570	16268	16756	16465	16853	16885	16414	16314	137
	530	23552	23123	23817	23403	23954	24000	23332	23188	208
	700	28739	28216	29062	28557	29230	29286	28470	28295	275

PGS-3 5K Lumen Chart										
# LEDs	Current (mA)	T1	T2	T3	T4	T4A	T5	T5W	T5WR	Wattage
96	350	12328	12103	12466	12250	12538	12562	12212	12137	103
	530	17623	17302	17821	17512	17924	17959	17458	17351	156
	700	21914	21515	22161	21776	22289	22331	21709	21576	207
112	350	14671	14404	14836	14578	14922	14950	14534	14445	121
	530	20844	20465	21078	20712	21200	21241	20649	20522	183
	700	25491	25027	25777	25330	25926	25976	25252	25097	241
128	350	16620	16317	16806	16515	16904	16936	16464	16363	137
	530	23623	23193	23889	23474	24027	24073	23402	23258	208
	700	28826	28301	29150	28644	29318	29374	28556	28381	275



Project Name: _____

Catalog Number: _____

Type: _____

The **PGS-2 LED** luminaire from Visionaire incorporates our single chip LED technology while maintaining a traditional architectural form factor. The LEDs performance and life are maximized by the unique integral aluminum heat sink. It is an ideal retrofit for the high-maintenance HID fixtures of yesterday.

The LED housing is heavy duty formed aluminum; with either 64, 80 or 96 LEDs. Mounting options include Universal Bolt-On Arm Mount, Yoke Mount and Wall Mount.

Eight optical distribution patterns are available. Choose between 3000, 4000 or 5000 Kelvin temperature of the LEDs.

A durable polyester powder coat finish is guaranteed for five years and is available in standard or custom colors.

The **PGS-2 LED** series is an exceptional choice for universities, shopping centers, parks, recreational areas and general site lighting.

Ordering Information

MODEL	OPTICS	LEDS	CURRENT	KELVIN	VOLTAGE	MOUNTING	FINISH	OPTIONS	OPTIONS
PGS-2	T1 Type 1	64LC	3 350mA	3K 3000K	UNV 120-277V	UBOA Universal Bolt-On Arm Mount	BZ Bronze	PCR-120 PCR-208	DIM 0-10v Dimming Driver
	T2 Type 2	80LC	5 530mA	4K 4000K	8 347V	YM Yoke Mount	BK Black	PCR-240 PCR-277 PCR-347	VWC Visionaire Wireless Controls Consult Factory
	T3 Type 3	96LC	7 700mA	5K 5000K	5 480V	WM Wall Mount	SBK Smooth Black	PCR-480 Photocell & Receptacle	RPP Round Pole Plate Adaptor
	T4 Type 4					Round Pole Plate Adaptors (RPP) are to be ordered separately.	WH White	PER 5PINPER 7PINPER	ROT-R Rotated Optics Right Side
	T4A Type 4 Automotive						SWH Smooth White	3, 5, or 7 Pin Photo Receptacle w/shorting cap Requires Dimming Driver	ROT-L Rotated Optics Left Side
	T5 Type 5						GP Graphite		CLS Back Side Cutoff Louver Shield
	T5W Type 5 Wide						GY Grey	WSC-8 Motion Sensor 8' Mounting Height	
	T5WR Type 5 Wide Round						SL Silver Metallic	WSC-20 Motion Sensor 9-20' Mounting Height	
							CC Custom Color	WSC-40 Motion Sensor 21-40' Mounting Height	
									The WSC options will require (1) FSIR 100 remote for programming

Features & Specifications

Housing

Heavy duty formed aluminum housing with internal heat sink for maximum heat dissipation. Silicone gasket is used for weather tight operation.

Mounting

- For post top mounting, an adaptor fits over a 2 3/8" tenon secured with stainless steel hardware.
- For retro-fit applications, a Pre-Attached Aluminum Arm (UBOA) is supplied along with a Universal Quick Mount pole adaptor for fast and easy attachment to the pole.

Thermal Management

The PGS-2 series provides excellent thermal management by mounting the LEDs to the substantial heat sink within the housing. This enables the luminaire to withstand higher ambient temperatures and driver currents without degrading LED life.

Optical System

- High-performance acrylic optics feature industry leading Type I, II, III, IV and V optical distributions. Acrylic optics are impact-resistant and rated to 94 percent translucence.
- L70 life of our LEDs is rated over 100,000 hours (for 700 mA), The optical system qualifies as IES full cutoff to restrict light trespass, glare and light pollution for neighborhood-friendly lighting.
- CRI values are 70.

Quali-Guard® Finish

The finish is a Quali-Guard® textured, chemically pretreated through a multiple-stage washer, electrostatically applied, thermoset polyester powder coat finish, with a minimum of 3-5 millimeter thickness. Finish is oven-baked at 400° F to promote maximum adherence and finish hardness. All finishes are available in standard and custom colors. Finish is guaranteed for five (5) years.

Electrical Assembly

The PGS-2 LED series is supplied with a choice of 350, 530 or 700mA high-performance LED drivers that accept 120v thru 480v, 50 Hz to 60 Hz, input. Power factor of 90%. Rated for -40°C operations. 10kV Surge Protector supplied as standard.

Warranty

- Five (5) year Limited Warranty on electrical components, Five (5) year on finish. For full warranty information, please visit visionairelighting.com.

Options

- Photocell & Receptacle
- 3, 5 & 7-Pin Receptacles
- 0-10 Volt Dimming Driver
- Motion Sensor/Control Watt Stopper FSP-211
- Wireless Controls
- Round Pole Plate Adapter
- Cutoff Louver Shield

Listings

- IP65 Rated
- Powder Coated Tough
- IDA Certification
- PGS-2 is cUL listed, suitable for wet locations.



3000K must be selected for IDA certification.
Fixed mount must be selected for IDA dark sky certification.

Motion Sensor Default Setting									
FSP - 211	High Mode	Low Mode	Time Delay	Cut Off Delay	Sensitivity	Hold Off Setpoint	Photocell On/Off	Ramp Up Time	Fade Down Time
WSC - Default	10V	1V	5 Minutes	1 Hour	Max	Disabled	Disabled	Disabled	Disabled
WSC Range	0-10V	0-9.8V	5-30 Minutes	1-5 Hours	Low, Med, Max	1-250FC	1-250FC	1-60 Dec	1-60 Dec

*Settings can be field modified with the FSIR-100 Programming remote

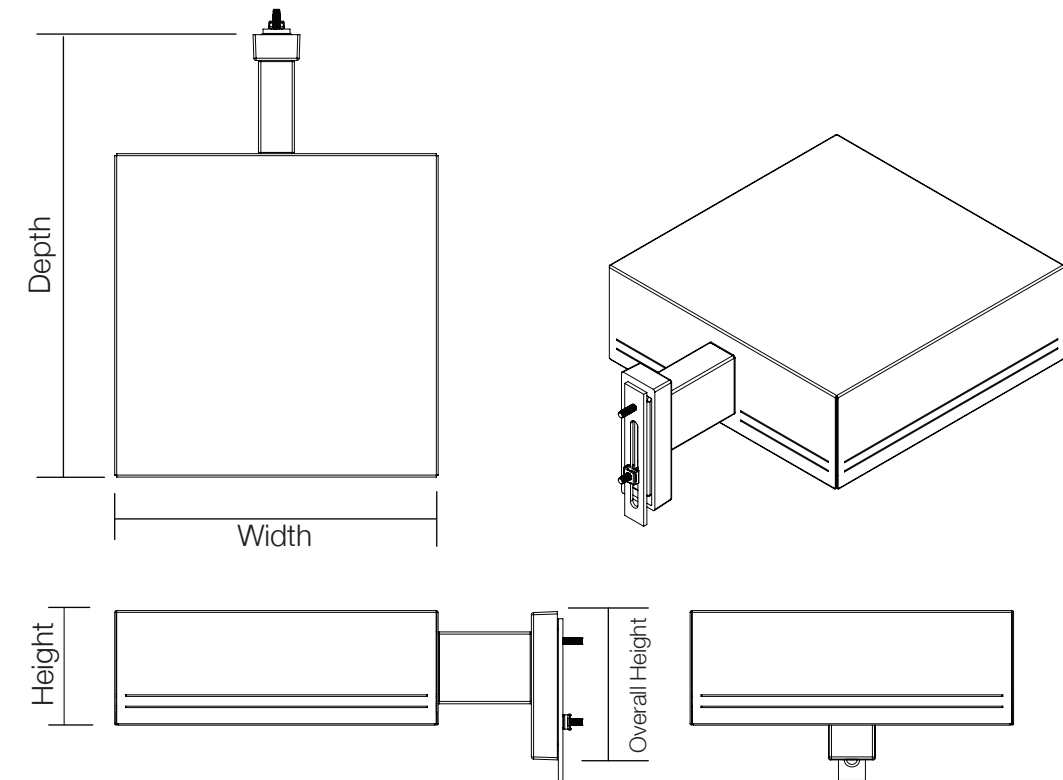
Photometric Optical Summary

T1 Type 1	T2 Type 2	T3 Type 3	T4 Type 4	T4A Type 4 Automotive	T5 Type 5	T5W Type 5 Wide	T5WR Type 5 Wide Round
EPA Data		0.75	1.47	1.5	2.22	2.1	2.22

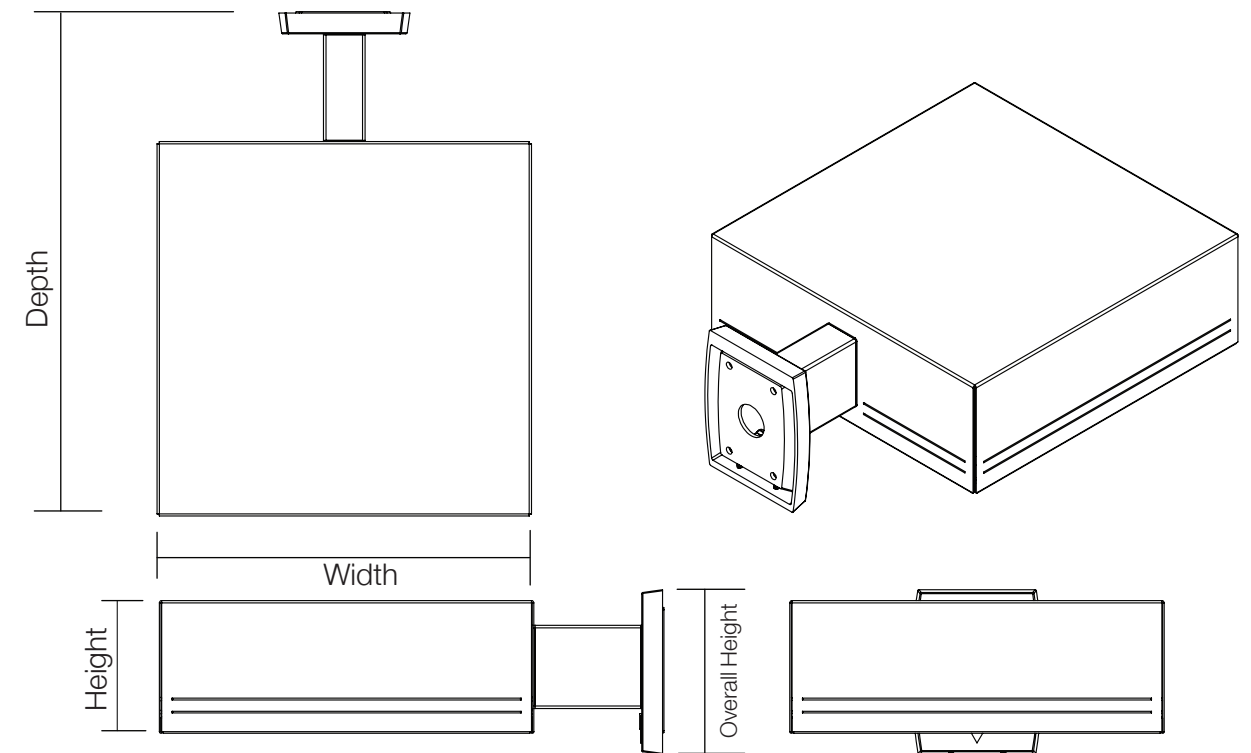
Dimensions

Universal Bolt-On Arm		Wall Mount		Yoke Mount	
Width:	PGS-2 18"	Width:	PGS-2 18"	Width:	PGS-2 20"
Depth:	PGS-2 25"	Depth:	PGS-2 24.25"	Depth:	PGS-2 18"
Height:	PGS-2 6.5"	Height:	PGS-2 6.5"	Height:	PGS-2 6.5"
Overall Height:	PGS-2 8.25"	Overall Height:	PGS-2 8"	Overall Height:	PGS-2 26"
Weight:	26 LBS	Weight:	26 LBS	Weight:	26 LBS

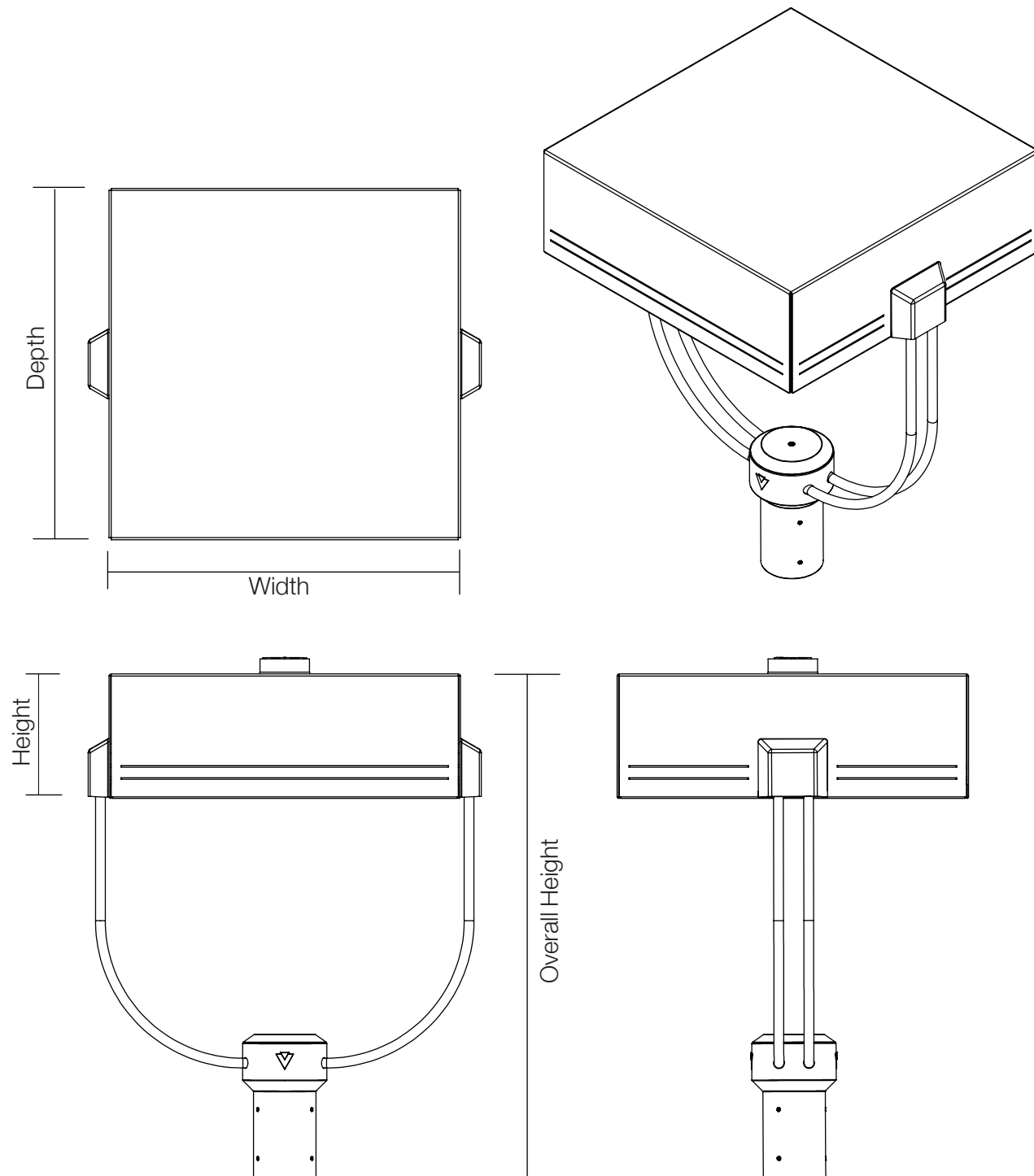
Universal Bolt-On Arm Mount



Wall Mount



Yoke Mount



3K LUMEN DATA										
# LEDs	mA	T1	T2	T3	T4	T4A	T5	T5W	T5WR	Watts
64	350	7734	7804	7553	7603	8190	8256	8055	7958	69
	530	10993	11093	10735	10807	11642	11736	11450	11312	105
	700	13038	13156	12732	12817	13807	13918	13579	13415	139
80	350	9543	9630	9319	9381	10106	10188	9939	9820	85
	530	13424	13546	13110	13197	14217	14331	13982	13813	129
	700	16634	16785	16244	16352	17616	17758	17325	17116	171
96	350	10930	11029	10674	10745	11575	11668	11384	11247	100
	530	15501	15642	15137	15238	16416	16548	16144	15950	154
	700	19437	19613	18981	19107	20584	20749	20244	20000	214
4K LUMEN DATA										
64	350	8562	8639	8361	8416	9067	9140	8917	8810	69
	530	12170	12280	11884	11963	12888	12992	12675	12522	105
	700	14433	14564	14094	14188	15285	15408	15032	14851	139
80	350	10564	10660	10317	10385	11188	11278	11003	10870	85
	530	14861	14996	14512	14609	15738	15865	15478	15291	129
	700	18414	18582	17983	18102	19501	19658	19179	18948	171
96	350	12100	12210	11816	11895	12814	12917	12602	12450	100
	530	17160	17315	16757	16869	18172	18318	17872	17657	154
	700	21517	21712	21012	21152	22787	22970	22410	22140	214
5K LUMEN DATA										
64	350	8562	8639	8361	8416	9067	9140	8917	8810	69
	530	12170	12280	11884	11963	12888	12992	12675	12522	105
	700	14433	14564	14094	14188	15285	15408	15032	14851	139
80	350	10564	10660	10317	10385	11188	11278	11003	10870	85
	530	14861	14996	14512	14609	15738	15865	15478	15291	129
	700	18414	18582	17983	18102	19501	19658	19179	18948	171
96	350	12100	12210	11816	11895	12814	12917	12602	12450	100
	530	17160	17315	16757	16869	18172	18318	17872	17657	154
	700	21517	21712	21012	21152	22787	22970	22410	22140	214

Visit www.visionairelighting.com for up-to-the-minute chart information, including types not listed here.

3K LPW DATA										
# LEDs	mA	Type 1	Type 2	Type 3	Type 4	Type 4A	Type 5	Type 5W	Type 5WR	Watts
64	350	112	113	110	110	119	120	117	115	69
	530	105	106	102	103	111	112	109	108	105
	700	94	95	92	92	100	100	98	97	139
80	350	113	114	110	111	119	120	117	116	85
	530	104	105	101	102	110	111	108	107	129
	700	97	98	95	96	103	104	101	100	171
96	350	110	111	107	108	116	117	114	113	100
	530	100	101	98	99	106	107	105	103	154
	700	91	92	89	89	96	97	95	94	214
4K LPW DATA										
64	350	124	125	121	122	132	133	129	128	69
	530	116	117	113	114	123	124	121	119	105
	700	104	105	102	102	110	111	108	107	139
80	350	125	126	122	122	132	133	130	128	85
	530	115	116	112	113	122	123	120	118	129
	700	108	109	105	106	114	115	112	111	171
96	350	121	122	118	119	128	129	126	125	100
	530	111	112	109	109	118	119	116	114	154
	700	101	102	98	99	107	108	105	104	214
5K LPW DATA										
64	350	124	125	121	122	132	133	129	128	69
	530	116	117	113	114	123	124	121	119	105
	700	104	105	102	102	110	111	108	107	139
80	350	125	126	122	122	132	133	130	128	85
	530	115	116	112	113	122	123	120	118	129
	700	108	109	105	106	114	115	112	111	171
96	350	121	122	118	119	128	129	126	125	100
	530	111	112	109	109	118	119	116	114	154
	700	101	102	98	99	107	108	105	104	214

Visit www.visionairelighting.com for up-to-the-minute chart information, including types not listed here.

3K BUG DATA																										
# LEDs	mA	T1			T2			T3			T4			T4A			T5			T5W			T5WR			Watts
		B	U	G	B	U	G	B	U	G	B	U	G	B	U	G	B	U	G	B	U	G				
64	350	3	0	3	2	0	2	2	0	2	2	0	2	2	0	1	3	0	2	4	0	2	3	0	1	76
	530	3	0	3	2	0	2	3	0	3	2	0	2	2	0	2	3	0	2	4	0	2	3	0	2	104
	700	3	0	3	3	0	3	3	0	3	3	0	3	3	0	2	3	0	2	4	0	2	4	0	2	143
80	350	3	0	3	2	0	2	2	0	2	2	0	2	2	0	2	3	0	1	3	0	2	3	0	2	95
	530	3	0	3	3	0	3	3	0	3	3	0	3	3	0	2	3	0	2	4	0	2	4	0	2	130
	700	3	0	3	3	0	3	3	0	3	3	0	3	3	0	2	4	0	2	4	0	2	4	0	2	178
96	350	3	0	3	2	0	2	3	0	3	2	0	2	2	0	2	3	0	2	4	0	2	3	0	2	114
	530	3	0	3	3	0	3	3	0	3	3	0	3	3	0	2	4	0	2	4	0	2	4	0	2	156
	700	4	0	4	3	0	3	3	0	3	3	0	3	3	0	3	4	0	2	5	0	3	4	0	2	214
4K BUG DATA																										
64	350	3	0	3	2	0	2	2	0	2	2	0	2	2	0	1	3	0	1	3	0	2	3	0	2	76
	530	3	0	3	2	0	2	3	0	3	3	0	3	2	0	2	3	0	2	4	0	2	4	0	2	104
	700	3	0	3	3	0	3	3	0	3	3	0	3	3	0	2	3	0	2	4	0	2	4	0	2	143
80	350	3	0	3	2	0	2	3	0	3	2	0	2	2	0	2	3	0	2	4	0	2	3	0	2	95
	530	3	0	3	3	0	3	3	0	3	3	0	3	3	0	2	4	0	2	4	0	2	4	0	2	130
	700	4	0	4	3	0	3	3	0	3	3	0	3	3	0	2	4	0	2	4	0	2	4	0	2	178
96	350	3	0	3	2	0	2	3	0	3	3	0	3	2	0	2	3	0	2	4	0	2	4	0	2	114
	530	4	0	4	3	0	3	3	0	3	3	0	3	3	0	2	4	0	2	4	0	2	4	0	2	156
	700	4	0	4	3	0	3	3	0	3	3	0	3	3	0	3	4	0	2	5	0	3	4	0	2	214
5K BUG DATA																										
64	350	3	0	3	2	0	2	2	0	2	2	0	2	2	0	1	3	0	1	3	0	2	3	0	2	76
	530	3	0	3	2	0	2	3	0	3	3	0	3	2	0	2	3	0	2	4	0	2	4	0	2	104
	700	3	0	3	3	0	3	3	0	3	3	0	3	3	0	2	3	0	2	4	0	2	4	0	2	143
80	350	3	0	3	2	0	2	3	0	3	2	0	2	2	0	2	3	0	2	4	0	2	3	0	2	95
	530	3	0	3	3	0	3	3	0	3	3	0	3	3	0	2	4	0	2	4	0	2	4	0	2	130
	700	4	0	4	3	0	3	3	0	3	3	0	3	3	0	2	4	0	2	4	0	2	4	0	2	178
96	350	3	0	3	2	0	2	3	0	3	3	0	3	2	0	2	3	0	2	4	0	2	4	0	2	114
	530	4	0	4	3	0	3	3	0	3	3	0	3	3	0	2	4	0	2	4	0	2	4	0	2	156
	700	4	0	4	3	0	3	3	0	3	3	0	3	3	0	3	4	0	2	5	0	3	4	0	2	214

Visit www.visionairelighting.com for up-to-the-minute chart information, including types not listed here.



Project Name: _____

Catalog Number: _____

Type: _____

The new **PGS-1 LED** luminaire from Visionaire combines contemporary design with new LED technology; while maintaining a traditional architectural fixture image. The LEDs Performance and Life are maximized by the unique integral aluminum heat sink. It is an ideal replacement for the high-maintenance HID fixtures of yesterday.

The LED housing is formed aluminum; with either 16, 32 or 48 LEDs. Mounting options include Universal Bolt On Arm, Yoke Mount, Knuckle Mount or Wall Mount. The Universal Bolt on Arm is available with a Quick Mount Pole Adaptor for retrofitting existing poles.

Eight optical distribution patterns are available. Choose between 3000, 4000 or 5000 Kelvin temperature of the LEDs.

A durable polyester powder coat finish is guaranteed for five years; and is available in standard or custom colors.

The **PGS-1 LED** series is an exceptional choice for universities, shopping centers, parks and recreational areas; and general site lighting.

Ordering Information

MODEL	OPTICS	LEDs	CURRENT	KELVIN	VOLTAGE	MOUNTING	FINISH	OPTIONS	OPTIONS
PGS-1	T1 Type 1	16LC	3 350mA	3K 3000K	UNV 120-277V	UBOA Universal Bolt-On Arm	BZ Bronze	PCR-120 PCR-208	DIM 0-10v Dimming Driver
	T2 Type 2	32LC 48LC	5 530mA	4K 4000K	8 347V	YM Yoke Mount	BK Black	PCR-240 PCR-277 PCR-347	VWC Visionaire Wireless Controls Consult Factory
	T3 Type 3		7 700mA	5K 5000K	5 480V	KM Knuckle Mount	SBK Smooth Black	PCR-480 Photocell & Receptacle	RPP Round Pole Plate Adaptor
	T4 Type 4					WM Wall Mount	WH White	PER	ROT-R Rotated Optics Right Side
	T4A Type 4 Automotive					*Round Pole Plate Adaptors (RPP) are to be ordered separately.	SWH Smooth White	5PINPER 7PINPER 3,5, or 7 Pin Photo Receptacle w/shorting cap *Requires Dimming Driver	ROT-L Rotated Optics Left Side
	T5 Type 5						GP Graphite		CLS Back Side Cutoff Louver Shield
	T5W Type 5 Wide						GY Grey	WSC-8 Motion Sensor 8' Mounting Height	
	T5WR Type 5 Wide Round						SL Silver Metallic	WSC-20 Motion Sensor 9-20' Mounting Height	
							CC Custom Color	WSC-40 Motion Sensor 21-40' Mounting Height	
								*The WSC options will require (1) FSIR 100 remote for programming	

Features & Specifications

Housing

Heavy duty formed aluminum housing with internal heat sink for maximum heat dissipation. Silicone gasket is used for weather tight operation.

Mounting

Universal Bolt On Arm - A pre-attached aluminum arm (UBOA) is supplied along with a Universal Quick Mount pole adaptor for fast and easy attachment to the pole.

Yoke Mount - A post adaptor fits over a vertical 2 3/8" tenon secured with stainless steel hardware.

Knuckle Mount - An adjustable knuckle slip fits over a 2-3/8" Tenon, and allows for up to 90 degrees of vertical adjustment in 10° increments from horizontal.

Wall Mount - Bolt-on arm wall plate

Thermal Management

The PGS-1 series provides excellent thermal management by mounting the LEDs to the substantial heat sink within the housing. This enables the Luminaire to withstand higher ambient temperatures and driver currents without degrading LED life.

Optical System

The highest lumen output LEDs are utilized. High-performance acrylic optics feature industry leading Type I, II, III, IV and V optical distributions. Acrylic optics are impact-resistant and rated to 94 percent translucence.

L70 life of our LEDs is rated over 100,000 hours (for 700 mA), The optical system qualifies as IES full cutoff to restrict light trespass, glare and light pollution for neighborhood-friendly lighting. CRI values are 70.

Quali-Guard® Finish

The finish is a Quali-Guard® textured, chemically pretreated through a multiple-stage washer, electrostatically applied, thermoset polyester powder coat finish, with a minimum of 3-5 millimeter thickness. Finish is oven-baked at 400° F to promote maximum adherence and finish hardness. All finishes are available in standard and custom colors. Finish is guaranteed for five (5) years.

Electrical Assembly

The PGS-1 LED series is supplied with a choice of 350, 530 or 700 mA high-performance LED drivers that accept 120v thru 480v, 50 Hz to 60 Hz, input. Power factor of 90%. Rated for -40°C operations. 10kV Surge Protector supplied as standard.

Warranty

· Five (5) year Limited Warranty on electrical components, Five (5) year on finish. For full warranty information, please visit visionairelighting.com.

Options

- Photocell & Receptacle
- Photo Receptacle
- Motion Sensor/Control Watt Stopper FSP-211
- 0-10 Volt Dimming Driver
- Emergency Battery Pack
- Wireless Controls
- Round Pole Plate Adaptor
- Rotated Optics
- Cutoff Louver Shield

Listings

- PGS-1 is cUL listed, suitable for wet locations.
- IP65 Rated
- Powder Coated Tough
- DLC Listed
- IDA Certification

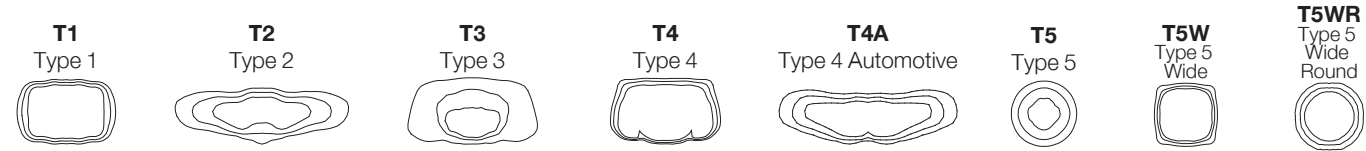


DesignLights Consortium (DLC) qualified Product. Some configurations of this product family may not be DesignLights Consortium (DLC) listed, please refer to the DLC qualified products list to confirm listed configurations. <http://www.designlights.org/> 3000K must be selected for IDA certification. Fixed mount must be selected for IDA dark sky certification.

Motion Sensor Default Setting									
FSP - 211	High Mode	Low Mode	Time Delay	Cut Off Delay	Sensitivity	Hold Off Setpoint	Photocell On/Off	Ramp Up Time	Fade Down Time
WSC - Default	10V	1V	5 Minutes	1 Hour	Max	Disabled	Disabled	Disabled	Disabled
WSC Range	0-10V	0-9.8V	5-30 Minutes	1-5 Hours	Low, Med, Max	1-250FC	1-250FC	1-60 Dec	1-60 Dec

*Settings can be field modified with the FSIR-100 Programming remote

Photometric Optical Summary



EPA Data						
	0.70	1.08	1.4	1.56	1.78	1.56

Dimensions

Universal Bolt-On Arm

Width:	PGS-1 16"
Depth:	PGS-1 5.0"
Height:	PGS-1 5.0"
Overall Height:	PGS-1 0.0"
Weight:	20 LBS

Yoke Mount

Width:	PGS-1 16"
Depth:	PGS-1 5.0"
Height:	PGS-1 5.0"
Overall Height:	PGS-1 0.0"
Weight:	20 LBS

Knuckle Mount

Width:	PGS-1 16"
Depth:	PGS-1 5.0"
Height:	PGS-1 5.0"
Overall Height:	PGS-1 0.0"
Weight:	20 LBS

Wall Mount

Width:	PGS-1 16"
Depth:	PGS-1 5.0"
Height:	PGS-1 5.0"
Overall Height:	PGS-1 0.0"
Weight:	20 LBS

3K Lumen Data									
LEDS	mA	T1	T2	T3	T4	T5	T5W	T5WR	Watts
16	350	2250	2081	2073	2032	2277	2056	2073	18
	530	3239	2997	2986	2926	3279	2961	2986	26
	700	4273	3954	4180	3860	4169	3906	3939	37
32	350	4761	4405	4388	4300	4819	4352	4388	35
	530	6817	6308	6283	6158	6900	6231	6284	52
	700	8619	7975	7944	7785	8723	7878	7944	71
48	350	7136	6603	6577	6446	7223	6523	6577	53
	530	9566	8851	8817	8641	9682	8744	8817	78
	700	12850	11890	11843	11607	13006	11745	11844	107
4K Lumen Data									
16	350	2368	2191	2183	2126	2397	2164	2183	18
	530	3410	3155	3143	3080	3451	3117	3143	26
	700	4498	4162	4400	4063	4388	4112	4146	37
32	350	5011	4637	4619	4527	5072	4581	4619	35
	530	7176	6640	6614	6482	7263	6559	6614	52
	700	9072	8394	8362	8195	9182	8292	8362	71
48	350	7512	6950	6923	6785	7603	6866	6924	53
	530	10070	9317	9281	9096	10192	9204	9281	78
	700	13526	12515	12467	12218	13690	12364	12467	107
5K Lumen Data									
16	350	2272	2102	2094	2053	2300	2077	2079	18
	530	3272	3028	3016	2956	3312	2991	2993	26
	700	4316	3994	4222	3899	4211	3945	3949	37
32	350	4809	4450	4432	4649	4867	4396	4399	35
	530	6886	6372	6347	6220	6970	6294	6299	52
	700	8706	8055	8024	7864	8811	7957	7964	71
48	350	7208	6670	6644	6452	7296	6589	6594	53
	530	9663	8941	8906	8728	9780	8832	8839	78
	700	12980	12010	11963	11724	13137	11864	11873	107

3K LPW Data									
LEDS	mA	T1	T2	T3	T4	T5	T5W	T5WR	Watts
16	350	127	117	117	115	128	116	117	18
	530	124	115	115	112	126	114	115	26
	700	116	108	114	105	114	106	107	37
32	350	135	125	125	122	137	124	125	35
	530	131	121	121	118	133	120	121	52
	700	121	112	112	110	123	111	112	71
48	350	135	125	124	122	136	123	124	53
	530	123	113	113	111	124	112	113	78
	700	120	111	111	108	122	110	111	107
4K LPW Data									
16	350	133	124	123	120	135	122	123	18
	530	131	121	121	118	132	120	121	26
	700	123	113	120	111	120	112	113	37
32	350	142	132	131	128	144	130	131	35
	530	138	128	127	125	140	126	127	52
	700	128	118	118	115	129	117	118	71
48	350	142	131	131	128	143	130	131	53
	530	129	119	119	117	131	118	119	78
	700	126	117	117	114	128	116	117	107
5K LPW Data									
16	350	128	119	118	116	130	117	117	18
	530	126	116	116	113	127	115	115	26
	700	118	109	115	106	115	108	108	37
32	350	137	126	126	132	138	125	125	35
	530	132	123	122	120	134	121	121	52
	700	123	113	113	111	124	112	112	71
48	350	136	126	125	122	138	124	124	53
	530	124	115	114	112	125	113	113	78
	700	121	112	112	110	123	111	111	107

PGS-1 3K BUG Data																				
LEDS	mA	T1			T2			T3			T4			T5			T5W			Watts
		B	U	G	B	U	G	B	U	G	B	U	G	B	U	G	B	U	G	
16	350	1	0	1	1	0	1	0	0	1	1	0	1	1	0	0	2	0	1	18
	530	2	0	2	1	0	1	1	0	1	1	0	1	2	0	0	2	0	1	26
	700	2	0	2	1	0	2	1	0	1	1	0	1	2	0	1	2	0	1	37
32	350	3	0	3	2	0	2	1	0	2	1	0	2	3	0	1	3	0	1	35
	530	3	0	3	2	0	2	1	0	2	1	0	2	3	0	1	3	0	1	52
	700	3	0	3	2	0	2	1	0	2	2	0	2	3	0	1	3	0	2	71
48	350	3	0	3	2	0	2	1	0	2	2	0	2	3	0	1	3	0	1	53
	530	3	0	3	2	0	3	1	0	2	2	0	2	3	0	1	3	0	2	78
	700	3	0	3	3	0	3	2	0	2	2	0	2	3	0	2	4	0	2	107
PGS-1 4K BUG Data																				
LEDS	mA	T1			T2			T3			T4			T5			T5W			Watts
		B	U	G	B	U	G	B	U	G	B	U	G	B	U	G	B	U	G	
16	350	1	0	1	1	0	1	0	0	1	1	0	1	1	0	0	2	0	1	18
	530	2	0	2	1	0	1	1	0	1	1	0	1	2	0	0	2	0	1	26
	700	2	0	2	1	0	2	1	0	1	1	0	1	2	0	1	3	0	1	37
32	350	3	0	3	2	0	2	1	0	2	1	0	2	3	0	1	3	0	1	35
	530	3	0	3	2	0	2	1	0	2	2	0	2	3	0	1	3	0	1	52
	700	3	0	3	2	0	2	1	0	2	2	0	2	3	0	1	3	0	2	71
48	350	3	0	3	2	0	2	1	0	2	2	0	2	3	0	1	3	0	1	53
	530	3	0	3	2	0	3	1	0	2	2	0	2	3	0	1	3	0	2	78
	700	3	0	3	3	0	3	2	0	2	2	0	2	3	0	2	4	0	2	107
PGS-1 5K BUG Data																				
LEDS	mA	T1			T2			T3			T4			T5			T5W			Watts
		B	U	G	B	U	G	B	U	G	B	U	G	B	U	G	B	U	G	
16	350	1	0	1	1	0	1	0	0	1	1	0	1	1	0	0	2	0	1	18
	530	2	0	2	1	0	1	1	0	1	1	0	1	2	0	0	2	0	1	26
	700	2	0	2	1	0	2	1	0	1	1	0	1	2	0	1	2	0	1	37
32	350	2	0	2	1	0	2	1	0	1	1	0	1	2	0	1	3	0	1	35
	530	3	0	3	2	0	2	1	0	2	1	0	2	3	0	1	3	0	1	52
	700	3	0	3	2	0	2	1	0	2	2	0	2	3	0	1	3	0	2	71
48	350	3	0	3	2	0	2	1	0	2	2	0	2	3	0	1	3	0	1	53
	530	3	0	3	2	0	3	1	0	2	2	0	2	3	0	1	3	0	2	78
	700	3	0	3	3	0	3	2	0	2	2	0	2	3	0	2	4	0	2	107



Project Name:

Catalog Number:

Type:

The **PGR LED** luminaire from Visionaire combines contemporary design with new LED technology; while maintaining a traditional fixture image. The LEDs Performance and Life are maximized by the unique integral aluminum heat sink. It is an ideal replacement for the high-maintenance fluorescent or HID fixtures of yesterday.

The LED housing is spun aluminum with internal heat sink for maximum heat dissipation; with either 16, 32 or 48 LEDs. The formed aluminum driver compartment allows the driver to operate cooler for long life. Available with a Low Profile Ceiling Mount Bracket, Ceiling Mount Bracket for surface conduit mounting and a 12-36" Pendant Mount.

Six optical distribution patterns are available. Choose between 3000, 4000 or 5000 Kelvin temperature of the LED's.

A durable polyester powder coat finish is guaranteed for five years; and is available in standard or custom colors.

The **PGR LED** series is an exceptional choice for parking garage lighting and other ceiling mount applications.

Ordering Information

MODEL	OPTICS	SOURCE	CURRENT	KELVIN	VOLTAGE	MOUNTING	FINISH	OPTIONS	OPTIONS
PGR-1	T1 Type 1	16LC	3 350mA	3K 3000K	UNV 120-277V	LPM Low Profile Mount Ceiling Mount No conduit feed.	BZ Bronze	WSC-8 Dimmable Motion Sensor 8' Mounting Height	DIM 0-10v Dimming Driver
	T2 Type 2	32LC	5 530mA	4K 4000K	8 347V		BK Black		EBPL Emergency Battery Pack 120V-277V Only
	T3 Type 3	48LC	7 700mA	5K 5000K	5 480V	PM12 Pendant Mount 12" *30" Leads	SBK Smooth Black	WSC-20 Dimmable Motion Sensor 9-20' Mounting Height	LDL Lightly Diffused Lens *350mA and 530mA only
	T4 Type 4					PM24 Pendant Mount 24" *42" Leads	WH White	WSC-40 Dimmable Motion Sensor 21-40' Mounting Height	CLS Cutoff Louver Shield
	T5 Type 5					PM36 Pendant Mount 36" *54" Leads	SWH Smooth White	GP Graphite	VWC Visionaire Wireless Controls *Consult Factory
	T5W Type 5 Wide						GY Grey	MS-8 Motion Sensor 8' Mounting Height	
	T5WR Type 5 Wide Round					CM Ceiling Mount 1/2" & 3/4" Knockouts	SL Silver Metallic	MS-20 Motion Sensor 9-20' Mounting Height	
							CC Custom Color	MS-40 Motion Sensor 21-40' Mounting Height	

Features & Specifications

Housing

Heavy duty spun aluminum housing with internal heat sink for maximum heat dissipation. Silicone gasket is used for weather tight operation.

Mounting

A Low Profile, hinged, ceiling mount bracket, can be secured directly to a 4" or 5" recessed junction box, or to the ceiling.

A Ceiling Mount bracket with 1/2" and 3/4" knockouts is also available for surface conduit mounting.

The ceiling hangar bracket on both versions allows the fixture to be suspended while making the wiring connections. The housing bracket then attaches to the ceiling bracket via a tamper-proof screw.

3/8" NPT stem and canopy supplied for pendant mount applications.

Thermal Management

The PGR series provides excellent thermal management by mounting the LEDs to the substantial heat sink within the housing. This enables the Luminaire to withstand higher ambient temperatures and driver currents without degrading LED life.

Optical System

The highest lumen output LED are utilized. High-performance acrylic optics feature industry leading Type I, II, III, IV, and V optical distributions. Acrylic optics are impact-resistant and rated to 94 percent translucence.

L70 life of our LEDs is rated over 100,000 hours (for 350 mA), The optical system qualifies as IES full cutoff to restrict light trespass, glare and light pollution for neighborhood-friendly lighting.

CRI values are 70.

Quali-Guard® Finish

The finish is a Quali-Guard® textured, chemically pretreated through a multiple-stage washer, electrostatically applied, thermoset polyester powder coat finish, with a minimum of 3-5 millimeter thickness. Finish is oven-baked at 400° F to promote maximum adherence and finish hardness. All finishes are available in standard and custom colors.

Finish is guaranteed for five (5) years.

Electrical Assembly

The PGR LED series is supplied with a choice of 350, 530 or 700mA high-performance LED drivers that accept 120v thru 480v, 50 Hz to 60 Hz, input. Power factor of 90%. Rated for -40°C operations.

10 kV surge protector supplied as standard.

Warranty

· Five (5) year Limited Warranty on electrical components, Five (5) year on finish. For full warranty information, please visit visionairelighting.com.

Options

Watt Stopper FSP-211
Motion Sensor
Dimming Driver
Emergency Battery Pack
Diffused Lens
Cutoff Louver Shield

Listings

· PGR is UL listed, suitable for wet locations.
· IP65 Rated
· Powder Coated Tough
· DLC Listed



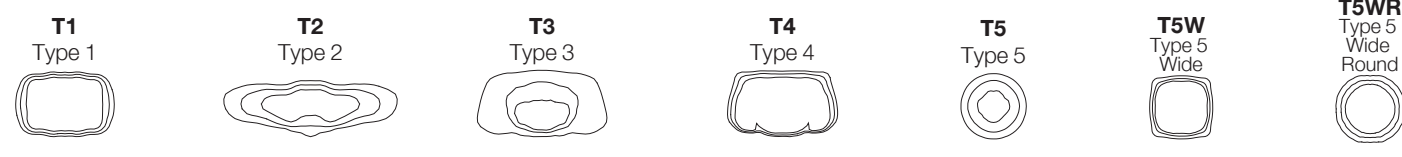
DesignLights Consortium (DLC) qualified Product. Some configurations of this product family may not be DesignLights Consortium (DLC) listed, please refer to the DLC qualified products list to confirm listed configurations. <http://www.designlights.org/>
3000K must be selected for IDA certification.

Motion Sensor Default Setting									
FSP - 211	High Mode	Low Mode	Time Delay	Cut Off Delay	Sensitivity	Hold Off Setpoint	Photocell On/Off	Ramp Up Time	Fade Down Time
WSC - Default	10V	1V	5 Minutes	1 Hour	Max	Disabled	Disabled	Disabled	Disabled
WSC Range	0-10V	0-9.8V	5-30 Minutes	1-5 Hours	Low, Med, Max	1-250FC	1-250FC	1-60 Dec	1-60 Dec

*Settings can be field modified with the FSIR-100 Programming remote

PGR-1 CM LED Specifications

Photometric Optical Summary

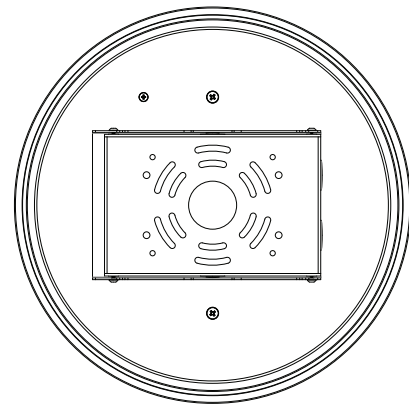
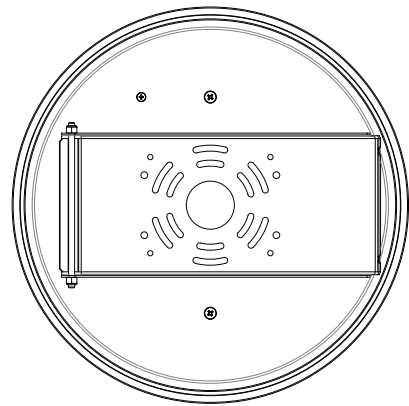


Dimensions

Width: PGR-1 16.5"

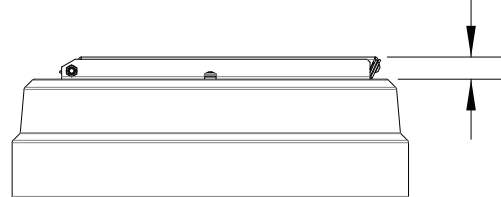
Height: PGR-1 5.0"

Weight: 20 LBS



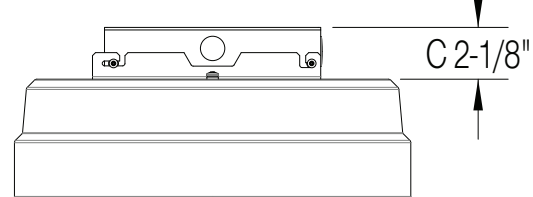
LOW PROFILE MOUNT

C 15/16"



CEILING MOUNT

C 2-1/8"



PGR 3K Lumen Data									
LEDS	mA	T1	T2	T3	T4	T5	T5W	T5WR	Watts
16	350	2250	2081	2073	2032	2277	2056	2073	18
	530	3239	2997	2986	2926	3279	2961	2986	26
	700	4273	3954	4180	3860	4169	3906	3939	37
32	350	4761	4405	4388	4300	4819	4352	4388	35
	530	6817	6308	6283	6158	6900	6231	6284	52
	700	8619	7975	7944	7785	8723	7878	7944	71
48	350	7136	6603	6577	6446	7223	6523	6577	53
	530	9566	8851	8817	8641	9682	8744	8817	78
	700	12850	11890	11843	11607	13006	11745	11844	107
PGR 4K Lumen Data									
16	350	2368	2191	2183	2126	2397	2164	2183	18
	530	3410	3155	3143	3080	3451	3117	3143	26
	700	4498	4162	4400	4063	4388	4112	4146	37
32	350	5011	4637	4619	4527	5072	4581	4619	35
	530	7176	6640	6614	6482	7263	6559	6614	52
	700	9072	8394	8362	8195	9182	8292	8362	71
48	350	7512	6950	6923	6785	7603	6866	6924	53
	530	10070	9317	9281	9096	10192	9204	9281	78
	700	13526	12515	12467	12218	13690	12364	12467	107
PGR 5K Lumen Data									
16	350	2272	2102	2094	2053	2300	2077	2079	18
	530	3272	3028	3016	2956	3312	2991	2993	26
	700	4316	3994	4222	3899	4211	3945	3949	37
32	350	4809	4450	4432	4649	4867	4396	4399	35
	530	6886	6372	6347	6220	6970	6294	6299	52
	700	8706	8055	8024	7864	8811	7957	7964	71
48	350	7208	6670	6644	6452	7296	6589	6594	53
	530	9663	8941	8906	8728	9780	8832	8839	78
	700	12980	12010	11963	11724	13137	11864	11873	107

PGR 3K LPW Data									
LEDS	mA	T1	T2	T3	T4	T5	T5W	T5WR	Watts
16	350	127	117	117	115	128	116	117	18
	530	124	115	115	112	126	114	115	26
	700	116	108	114	105	114	106	107	37
32	350	135	125	125	122	137	124	125	35
	530	131	121	121	118	133	120	121	52
	700	121	112	112	110	123	111	112	71
48	350	135	125	124	122	136	123	124	53
	530	123	113	113	111	124	112	113	78
	700	120	111	111	108	122	110	111	107
PGR 4K LPW Data									
16	350	133	124	123	120	135	122	123	18
	530	131	121	121	118	132	120	121	26
	700	123	113	120	111	120	112	113	37
32	350	142	132	131	128	144	130	131	35
	530	138	128	127	125	140	126	127	52
	700	128	118	118	115	129	117	118	71
48	350	142	131	131	128	143	130	131	53
	530	129	119	119	117	131	118	119	78
	700	126	117	117	114	128	116	117	107
PGR 5K LPW Data									
16	350	128	119	118	116	130	117	117	18
	530	126	116	116	113	127	115	115	26
	700	118	109	115	106	115	108	108	37
32	350	137	126	126	132	138	125	125	35
	530	132	123	122	120	134	121	121	52
	700	123	113	113	111	124	112	112	71
48	350	136	126	125	122	138	124	124	53
	530	124	115	114	112	125	113	113	78
	700	121	112	112	110	123	111	111	107

PGR 3K BUG Data																							
LEDS	mA	T1			T2			T3			T4			T5			T5W			T5WR			Watts
		B	U	G	B	U	G	B	U	G	B	U	G	B	U	G	B	U	G				
16	350	1	0	1	1	0	1	0	0	1	1	0	1	1	0	0	2	0	1			18	
	530	2	0	2	1	0	1	1	0	1	1	0	1	2	0	0	2	0	1			26	
	700	2	0	2	1	0	2	1	0	1	1	0	1	2	0	1	2	0	1			37	
32	350	3	0	3	2	0	2	1	0	2	1	0	2	3	0	1	3	0	1			35	
	530	3	0	3	2	0	2	1	0	2	1	0	2	3	0	1	3	0	1			52	
	700	3	0	3	2	0	2	1	0	2	2	0	2	3	0	1	3	0	2			71	
48	350	3	0	3	2	0	2	1	0	2	2	0	2	3	0	1	3	0	1			53	
	530	3	0	3	2	0	3	1	0	2	2	0	2	3	0	1	3	0	2			78	
	700	3	0	3	3	0	3	2	0	2	2	0	2	3	0	2	4	0	2			107	
PGR 4K BUG Data																							
16	350	1	0	1	1	0	1	0	0	1	1	0	1	1	0	0	2	0	1			18	
	530	2	0	2	1	0	1	1	0	1	1	0	1	2	0	0	2	0	1			26	
	700	2	0	2	1	0	2	1	0	1	1	0	1	2	0	1	3	0	1			37	
32	350	3	0	3	2	0	2	1	0	2	1	0	2	3	0	1	3	0	1			35	
	530	3	0	3	2	0	2	1	0	2	2	0	2	3	0	1	3	0	1			52	
	700	3	0	3	2	0	2	1	0	2	2	0	2	3	0	1	3	0	2			71	
48	350	3	0	3	2	0	2	1	0	2	2	0	2	3	0	1	3	0	1			53	
	530	3	0	3	2	0	3	1	0	2	2	0	2	3	0	1	3	0	2			78	
	700	3	0	3	3	0	3	2	0	2	2	0	2	3	0	2	4	0	2			107	
PGR 5K BUG Data																							
16	350	1	0	1	1	0	1	0	0	1	1	0	1	1	0	0	2	0	1			18	
	530	2	0	2	1	0	1	1	0	1	1	0	1	2	0	0	2	0	1			26	
	700	2	0	2	1	0	2	1	0	1	1	0	1	2	0	1	2	0	1			37	
32	350	2	0	2	1	0	2	1	0	1	1	0	1	2	0	1	3	0	1			35	
	530	3	0	3	2	0	2	1	0	2	1	0	2	3	0	1	3	0	1			52	
	700	3	0	3	2	0	2	1	0	2	2	0	2	3	0	1	3	0	2			71	
48	350	3	0	3	2	0	2	1	0	2	2	0	2	3	0	1	3	0	1			53	
	530	3	0	3	2	0	3	1	0	2	2	0	2	3	0	1	3	0	2			78	
	700	3	0	3	3	0	3	2	0	2	2	0	2	3	0	2	4	0	2			107	



Project Name: _____

Catalog Number: _____

Type: _____

The **PGS LED** luminaire from Visionaire combines contemporary design with new LED technology; while maintaining a traditional fixture image. The LEDs Performance and Life are maximized by the unique integral aluminum heat sink. It is an ideal replacement for the high-maintenance fluorescent or HID fixtures of yesterday.

The LED housing is formed aluminum with internal heat sink for maximum heat dissipation; with either 16, 32 or 48 LEDs. The formed aluminum driver compartment allows the driver to operate cooler for long life. Available with a Low Profile Ceiling Mount Bracket, Ceiling Mount Bracket for surface conduit mounting and a 12-36" Pendant Mount.

Six optical distribution patterns are available. Choose between 3000, 4000 or 5000 Kelvin temperature of the LED's.

A durable polyester powder coat finish is guaranteed for five years; and is available in standard or custom colors.

The **PGS LED** series is an exceptional choice for parking garage lighting and other ceiling mount applications.

Ordering Information

MODEL	OPTICS	LEDS	CURRENT	KELVIN	VOLTAGE	MOUNTING	FINISH	OPTIONS	OPTIONS
PGS-1	T1 Type 1	16LC 32LC 48LC	3 350mA	3K 3000K	UNV 120-277V	LPM Low Profile Mount Ceiling Mount No conduit feed.	BZ Bronze	WSC-8 Dimmable Motion Sensor 8' Mounting Height	DIM 0-10v Dimming Driver
	T2 Type 2		5 530mA	4K 4000K	8 347V		BK Black		EBPL Emergency Battery Pack 120V-277V Only
	T3 Type 3		7 700mA	5K 5000K	5 480V	PM12 Pendant Mount 12" *30" Leads	SBK Smooth Black	WSC-20 Dimmable Motion Sensor 9-20' Mounting Height	LDL Lightly Diffused Lens *350mA and 530mA only
	T4 Type 4					PM24 Pendant Mount 24" *42" Leads	WH White		
	T5 Type 5					PM36 Pendant Mount 36" *54" Leads	SWH Smooth White	WSC-40 Dimmable Motion Sensor 21-40' Mounting Height	CLS Cutoff Louver Shield
	T5W Type 5 Wide					GP Graphite		*WSC options will require (1) FSIR 100 remote for programming	VWC Visionaire Wireless Controls *Consult Factory
	T5WR Type 5 Wide Round					CM Ceiling Mount 1/2" & 3/4" Knockouts	SL Silver Metallic	MS-8 Motion Sensor 8' Mounting Height	
					CC Custom Color		MS-20 Motion Sensor 9-20' Mounting Height		
								MS-40 Motion Sensor 21-40' Mounting Height	

Features & Specifications

Housing

Heavy duty formed aluminum housing with internal heat sink for maximum heat dissipation. Silicone gasket is used for weather tight operation.

Mounting

A Low Profile, hinged, ceiling mount bracket, can be secured directly to a 4" or 5" recessed junction box, or to the ceiling.

A Ceiling Mount bracket with 1/2" and 3/4" knockouts is also available for surface conduit mounting.

The ceiling hangar bracket on both versions allows the fixture to be suspended while making the wiring connections. The housing bracket then attaches to the ceiling bracket via a tamper-proof screw.

3/8" NPT stem and canopy supplied for pendant mount applications.

Thermal Management

The PGS series provides excellent thermal management by mounting the LEDs to the substantial heat sink within the housing. This enables the Luminaire to withstand higher ambient temperatures and driver currents without degrading LED life.

Optical System

The highest lumen output LEDs are utilized. High-performance acrylic optics feature industry leading Type I, II, III, IV, and V optical distributions. Acrylic optics are impact-resistant and rated to 94 percent translucence.

L70 life of our LEDs is rated over 100,000 hours (for 350 mA), The optical system qualifies as IES full cutoff to restrict light trespass, glare and light pollution for neighborhood-friendly lighting.

CRI values are 70.

Quali-Guard® Finish

The finish is a Quali-Guard® textured, chemically pretreated through a multiple-stage washer, electrostatically applied, thermoset polyester powder coat finish, with a minimum of 3-5 millimeter thickness. Finish is oven-baked at 400° F to promote maximum adherence and finish hardness. All finishes are available in standard and custom colors.

Finish is guaranteed for five (5) years.

Electrical Assembly

The PGS LED series is supplied with a choice of 350, 530 or 700mA high-performance LED drivers that accept 120v thru 480v, 50 Hz to 60 Hz, input. Power factor of 90%. Rated for -40°C operations.

10 kV surge protector supplied as standard.

Warranty

· Five (5) year Limited Warranty on electrical components, Five (5) year on finish. For full warranty information, please visit visionairelighting.com.

Options

- Watt Stopper FSP-211
- Motion Sensor
- Dimming Driver
- Emergency Battery Pack
- Diffused Lens
- Cutoff Louver Shield

Listings

- PGS is UL listed, suitable for wet locations.
- IP65 Rated
- Powder Coated Tough
- DLC Listed
- IDA Listed



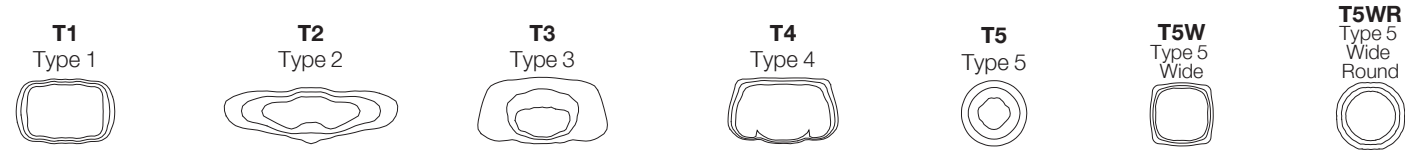
DesignLights Consortium (DLC) qualified Product. Some configurations of this product family may not be DesignLights Consortium (DLC) listed, please refer to the DLC qualified products list to confirm listed configurations. <http://www.designlights.org/> 3000K must be selected for IDA certification.

Motion Sensor Default Setting									
FSP - 211	High Mode	Low Mode	Time Delay	Cut Off Delay	Sensitivity	Hold Off Setpoint	Photocell On/Off	Ramp Up Time	Fade Down Time
WSC - Default	10V	1V	5 Minutes	1 Hour	Max	Disabled	Disabled	Disabled	Disabled
WSC Range	0-10V	0-9.8V	5-30 Minutes	1-5 Hours	Low, Med, Max	1-250FC	1-250FC	1-60 Dec	1-60 Dec

*Settings can be field modified with the FSIR-100 Programming remote

PGS-1 CM LED Specifications

Photometric Optical Summary

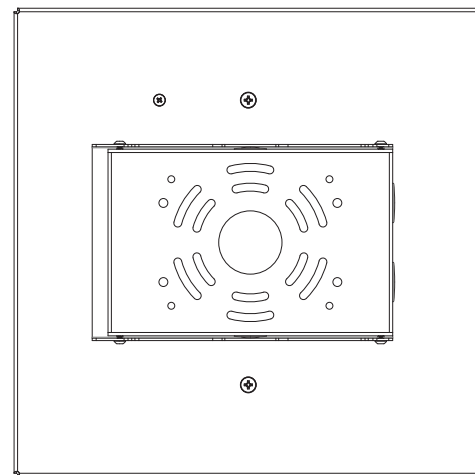
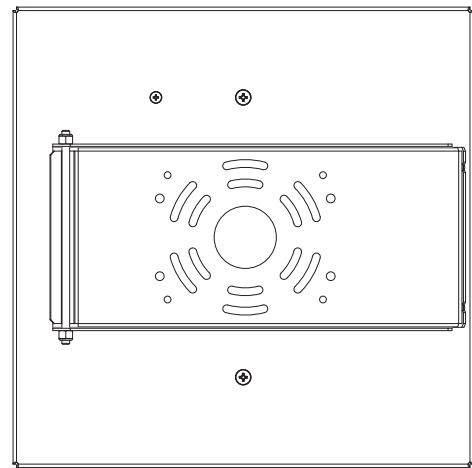


Dimensions

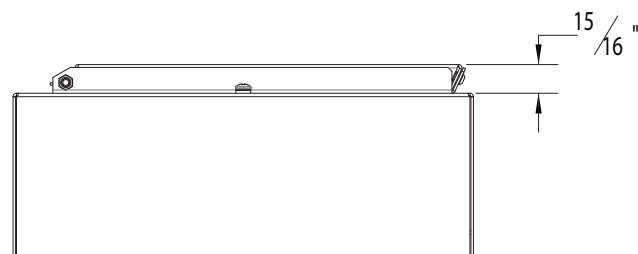
Width: PGS-1 15"

Height: PGS-1 5.0"

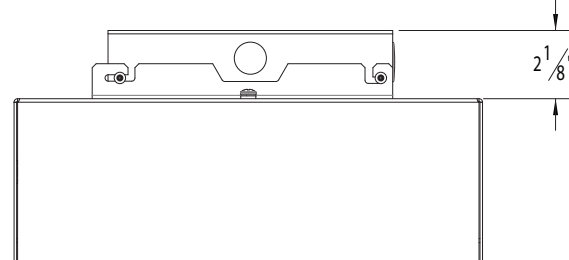
Weight: 20 LBS



LOW PROFILE MOUNT



CEILING MOUNT



PGS 3K Lumen Data									
LEDS	mA	T1	T2	T3	T4	T5	T5W	T5WR	Watts
16	350	2250	2081	2073	2032	2277	2056	2073	18
	530	3239	2997	2986	2926	3279	2961	2986	26
	700	4273	3954	4180	3860	4169	3906	3939	37
32	350	4761	4405	4388	4300	4819	4352	4388	35
	530	6817	6308	6283	6158	6900	6231	6284	52
	700	8619	7975	7944	7785	8723	7878	7944	71
48	350	7136	6603	6577	6446	7223	6523	6577	53
	530	9566	8851	8817	8641	9682	8744	8817	78
	700	12850	11890	11843	11607	13006	11745	11844	107
PGS 4K Lumen Data									
16	350	2368	2191	2183	2126	2397	2164	2183	18
	530	3410	3155	3143	3080	3451	3117	3143	26
	700	4498	4162	4400	4063	4388	4112	4146	37
32	350	5011	4637	4619	4527	5072	4581	4619	35
	530	7176	6640	6614	6482	7263	6559	6614	52
	700	9072	8394	8362	8195	9182	8292	8362	71
48	350	7512	6950	6923	6785	7603	6866	6924	53
	530	10070	9317	9281	9096	10192	9204	9281	78
	700	13526	12515	12467	12218	13690	12364	12467	107
PGS 5K Lumen Data									
16	350	2272	2102	2094	2053	2300	2077	2079	18
	530	3272	3028	3016	2956	3312	2991	2993	26
	700	4316	3994	4222	3899	4211	3945	3949	37
32	350	4809	4450	4432	4649	4867	4396	4399	35
	530	6886	6372	6347	6220	6970	6294	6299	52
	700	8706	8055	8024	7864	8811	7957	7964	71
48	350	7208	6670	6644	6452	7296	6589	6594	53
	530	9663	8941	8906	8728	9780	8832	8839	78
	700	12980	12010	11963	11724	13137	11864	11873	107

PGS 3K LPW Data									
LEDS	mA	T1	T2	T3	T4	T5	T5W	T5WR	Watts
16	350	127	117	117	115	128	116	117	18
	530	124	115	115	112	126	114	115	26
	700	116	108	114	105	114	106	107	37
32	350	135	125	125	122	137	124	125	35
	530	131	121	121	118	133	120	121	52
	700	121	112	112	110	123	111	112	71
48	350	135	125	124	122	136	123	124	53
	530	123	113	113	111	124	112	113	78
	700	120	111	111	108	122	110	111	107
PGS 4K LPW Data									
LEDS	mA	T1	T2	T3	T4	T5	T5W	T5WR	Watts
16	350	133	124	123	120	135	122	123	18
	530	131	121	121	118	132	120	121	26
	700	123	113	120	111	120	112	113	37
32	350	142	132	131	128	144	130	131	35
	530	138	128	127	125	140	126	127	52
	700	128	118	118	115	129	117	118	71
48	350	142	131	131	128	143	130	131	53
	530	129	119	119	117	131	118	119	78
	700	126	117	117	114	128	116	117	107
PGS 5K LPW Data									
LEDS	mA	T1	T2	T3	T4	T5	T5W	T5WR	Watts
16	350	128	119	118	116	130	117	117	18
	530	126	116	116	113	127	115	115	26
	700	118	109	115	106	115	108	108	37
32	350	137	126	126	132	138	125	125	35
	530	132	123	122	120	134	121	121	52
	700	123	113	113	111	124	112	112	71
48	350	136	126	125	122	138	124	124	53
	530	124	115	114	112	125	113	113	78
	700	121	112	112	110	123	111	111	107

PGS-1 3K BUG Data																				
LEDS	mA	T1			T2			T3			T4			T5			T5W			Watts
		B	U	G	B	U	G	B	U	G	B	U	G	B	U	G	B	U	G	
16	350	1	0	1	1	0	1	0	0	1	1	0	1	1	0	0	2	0	1	18
	530	2	0	2	1	0	1	1	0	1	1	0	1	2	0	0	2	0	1	26
	700	2	0	2	1	0	2	1	0	1	1	0	1	2	0	1	2	0	1	37
32	350	3	0	3	2	0	2	1	0	2	1	0	2	3	0	1	3	0	1	35
	530	3	0	3	2	0	2	1	0	2	1	0	2	3	0	1	3	0	1	52
	700	3	0	3	2	0	2	1	0	2	2	0	2	3	0	1	3	0	2	71
48	350	3	0	3	2	0	2	1	0	2	2	0	2	3	0	1	3	0	1	53
	530	3	0	3	2	0	3	1	0	2	2	0	2	3	0	1	3	0	2	78
	700	3	0	3	3	0	3	2	0	2	2	0	2	3	0	2	4	0	2	107
PGS-1 4K BUG Data																				
LEDS	mA	T1			T2			T3			T4			T5			T5W			Watts
		B	U	G	B	U	G	B	U	G	B	U	G	B	U	G	B	U	G	
16	350	1	0	1	1	0	1	0	0	1	1	0	1	1	0	0	2	0	1	18
	530	2	0	2	1	0	1	1	0	1	1	0	1	2	0	0	2	0	1	26
	700	2	0	2	1	0	2	1	0	1	1	0	1	2	0	1	3	0	1	37
32	350	3	0	3	2	0	2	1	0	2	1	0	2	3	0	1	3	0	1	35
	530	3	0	3	2	0	2	1	0	2	2	0	2	3	0	1	3	0	1	52
	700	3	0	3	2	0	2	1	0	2	2	0	2	3	0	1	3	0	2	71
48	350	3	0	3	2	0	2	1	0	2	2	0	2	3	0	1	3	0	1	53
	530	3	0	3	2	0	3	1	0	2	2	0	2	3	0	1	3	0	2	78
	700	3	0	3	3	0	3	2	0	2	2	0	2	3	0	2	4	0	2	107
PGS-1 5K BUG Data																				
LEDS	mA	T1			T2			T3			T4			T5			T5W			Watts
		B	U	G	B	U	G	B	U	G	B	U	G	B	U	G	B	U	G	
16	350	1	0	1	1	0	1	0	0	1	1	0	1	1	0	0	2	0	1	18
	530	2	0	2	1	0	1	1	0	1	1	0	1	2	0	0	2	0	1	26
	700	2	0	2	1	0	2	1	0	1	1	0	1	2	0	1	2	0	1	37
32	350	2	0	2	1	0	2	1	0	1	1	0	1	2	0	1	3	0	1	35
	530	3	0	3	2	0	2	1	0	2	1	0	2	3	0	1	3	0	1	52
	700	3	0	3	2	0	2	1	0	2	2	0	2	3	0	1	3	0	2	71
48	350	3	0	3	2	0	2	1	0	2	2	0	2	3	0	1	3	0	1	53
	530	3	0	3	2	0	3	1	0	2	2	0	2	3	0	1	3	0	2	78
	700	3	0	3	3	0	3	2	0	2	2	0	2	3	0	2	4	0	2	107



Project Name:

Catalog Number:

Type:

The PGA LED luminaire from Visionaire, simplifies the task of selecting the best solution for LED parking garage lighting. The design of the luminaire, compliments the design of the pre-cast concrete coffers; creating an integrated lighting effect; and maximizes the perceived lighting coverage. It is an ideal replacement for the high-maintenance fluorescent or HID fixtures of yesterday. The housing is formed aluminum with internal heat sink for maximum heat dissipation; with either 16, 32 or 48 LEDs. The formed aluminum driver compartment allows the driver to operate cooler for long life. Available with a Low Profile Mount Bracket, and a Ceiling Mount Bracket for surface conduit mounting, or Pendant Mounting. Six optical distribution patterns are available. Choose between 3000, 4000 or 5000 Kelvin temperature of the LED's. A durable polyester powder coat finish is guaranteed for five years; and is available in standard or custom colors. The PGA LED series is an exceptional choice for parking garage lighting and other ceiling mount applications.

Ordering Information

MODEL	OPTICS	SOURCE	CURRENT	KELVIN	VOLTAGE	MOUNTING	FINISH	OPTIONS	OPTIONS
PGA-1	T1 Type 1	16LC	3 350mA	3K 3000K	UNV 120-277V	LPM Low Profile Mount Ceiling Mount No conduit feed.	BZ Bronze	WSC-8 Dimmable Motion Sensor 8' Mounting Height	DIM 0-10v Dimming Driver
	T2 Type 2	32LC 48LC	5 530mA	4K 4000K	8 347V		BK Black	EBPL Emergency Battery Pack 120V-277V Only	
	T3 Type 3		7 700mA	5K 5000K	5 480V	PM12 Pendant Mount 12" 30" Leads	SBK Smooth Black	WSC-20 Dimmable Motion Sensor 9-20' Mounting Height	10KV Surge Protector
	T4 Type 4					PM24 Pendant Mount 24" 42" Leads	WH White		LDL Lightly Diffused Lens 350mA and 530mA Only
	T5 Type 5					PM36 Pendant Mount 36" 54" Leads	SWH Smooth White		CLS Cutoff Louver Shield
	T5W Type 5 Wide					CM Ceiling Mount 1/2" & 3/4" Knockouts	GP Graphite		VWC Visionaire Wireless Controls Consult Factory
	T5WR Type 5 Wide Round						GY Grey	MS-8 Motion Sensor 8' Mounting Height	
							SL Silver Metallic	MS-20 Motion Sensor 9-20' Mounting Height	
							CC Custom Color	MS-40 Motion Sensor 21-40' Mounting Height	

Features & Specifications

Housing

Heavy duty formed aluminum housing with internal heat sink for maximum heat dissipation. Silicone gasket is used for weather tight operation.

Mounting

A Low Profile, hinged, ceiling mount bracket, can be secured directly to a 4" or 5" recessed junction box, or to the ceiling. A Ceiling Mount bracket with 1/2" and 3/4" knockouts is also available for surface conduit mounting. The ceiling hangar bracket on both versions allows the fixture to be suspended while making the wiring connections. The housing bracket then attaches to the ceiling bracket via a tamper-proof screw. 3/8" NPT stem and canopy supplied for pendant mount applications.

Thermal Management

The PGA series provides excellent thermal management by mounting the LEDs to the substantial heat sink within the housing. This enables the Luminaire to withstand higher ambient temperatures and driver currents without degrading LED life.

Optical System

The highest lumen output LEDs are utilized. High-performance acrylic optics feature industry leading Type 1, 2, 3, 4 and 5 optical distributions. Acrylic optics are impact-resistant and rated to 94 percent translucence. L70 life of our LEDs is rated over 100,000 hours (for 350 mA), The optical system qualifies as IES full cutoff to restrict light trespass, glare and light pollution for neighborhood-friendly lighting. CRI values are 70.

Quali-Guard® Finish

The finish is a Quali-Guard® textured, chemically pretreated through a multiple-stage washer, electrostatically applied, thermoset polyester powder coat finish, with a minimum of 3-5 millimeter thickness. Finish is oven-baked at 400° F to promote maximum adherence and finish hardness. All finishes are available in standard and custom colors. Finish is guaranteed for five (5) years.

Electrical Assembly

The PGA LED series is supplied with a choice of 350, 530 or 700mA high-performance LED drivers that accept 120v thru 480v, 50 Hz to 60 Hz, input. Power factor of 90%. Rated for -40°C operations.

Warranty

Five (5) year Limited Warranty on electrical components. Five (5) year on finish. For full warranty information, please visit visionairelighting.com.

Options

- Watt Stopper FSP-211
- Motion Sensor
- Dimming Driver
- Emergency Battery Pack
- Diffused Lens
- Cutoff Louver Shield
- 10 kV Surge Protector

Listings

- PGA is UL listed, suitable for wet locations.
- DLC Listed
- IP65 Rated
- Powder Coated Tough™
- IDA Certification



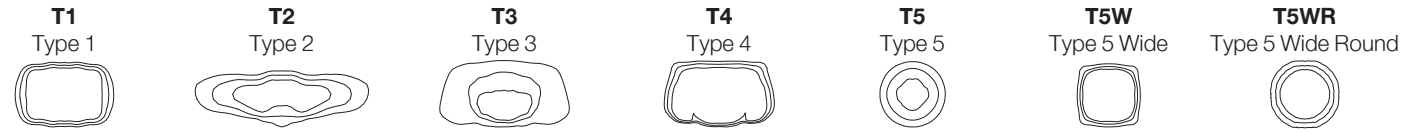
DesignLights Consortium (DLC) qualified Product. Some configurations of this product family may not be DesignLights Consortium (DLC) listed, please refer to the DLC qualified products list to confirm listed configurations. <http://www.designlights.org/> 3000K must be selected for IDA certification.

Motion Sensor Default Setting									
FSP - 211	High Mode	Low Mode	Time Delay	Cut Off Delay	Sensitivity	Hold Off Setpoint	Photocell On/Off	Ramp Up Time	Fade Down Time
WSC - Default	10V	1V	5 Minutes	1 Hour	Max	Disabled	Disabled	Disabled	Disabled
WSC Range	0-10V	0-9.8V	5-30 Minutes	1-5 Hours	Low, Med, Max	1-250FC	1-250FC	1-60 Dec	1-60 Dec

*Settings can be field modified with the FSIR-100 Programming remote

PGA-1 CM LED Specifications

Photometric Optical Summary

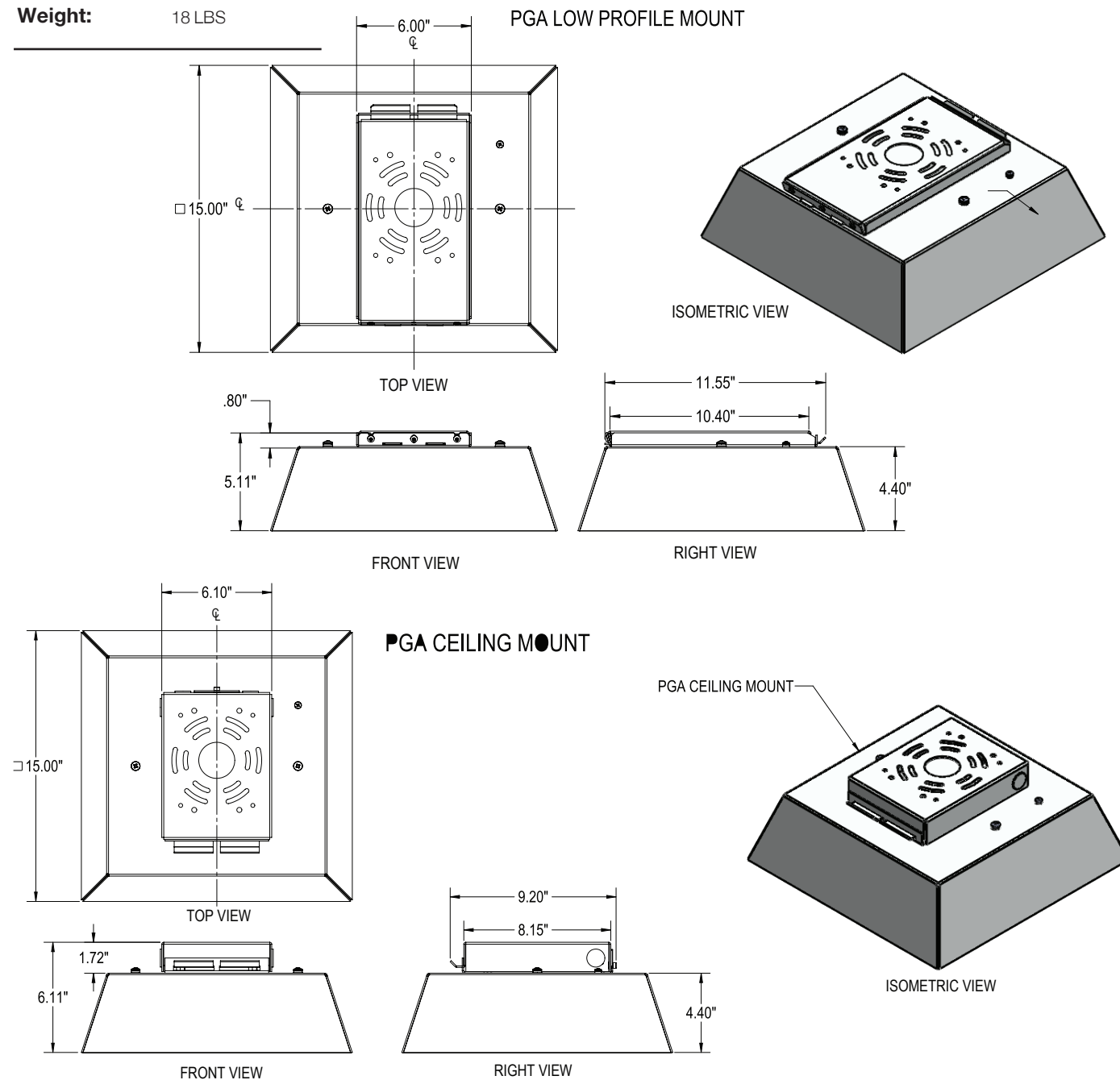


Dimensions

Width: PGA-1 15"

Height: PGA-1 5.0"

Weight: 18 LBS



PGA 3K Lumen Data									
LEDs	mA	T1	T2	T3	T4	T5	T5W	T5WR	Watts
16	350	2250	2081	2073	2032	2277	2056	2073	18
	530	3239	2997	2986	2926	3279	2961	2986	26
	700	4273	3954	4180	3860	4169	3906	3939	37
32	350	4761	4405	4388	4300	4819	4352	4388	35
	530	6817	6308	6283	6158	6900	6231	6284	52
	700	8619	7975	7944	7785	8723	7878	7944	71
48	350	7136	6603	6577	6446	7223	6523	6577	53
	530	9566	8851	8817	8641	9682	8744	8817	78
	700	12850	11890	11843	11607	13006	11745	11844	107
PGA 4K Lumen Data									
16	350	2368	2191	2183	2126	2397	2164	2183	18
	530	3410	3155	3143	3080	3451	3117	3143	26
	700	4498	4162	4400	4063	4388	4112	4146	37
32	350	5011	4637	4619	4527	5072	4581	4619	35
	530	7176	6640	6614	6482	7263	6559	6614	52
	700	9072	8394	8362	8195	9182	8292	8362	71
48	350	7512	6950	6923	6785	7603	6866	6924	53
	530	10070	9317	9281	9096	10192	9204	9281	78
	700	13526	12515	12467	12218	13690	12364	12467	107
PGA 5K Lumen Data									
16	350	2272	2102	2094	2053	2300	2077	2079	18
	530	3272	3028	3016	2956	3312	2991	2993	26
	700	4316	3994	4222	3899	4211	3945	3949	37
32	350	4809	4450	4432	4649	4867	4396	4399	35
	530	6886	6372	6347	6220	6970	6294	6299	52
	700	8706	8055	8024	7864	8811	7957	7964	71
48	350	7208	6670	6644	6452	7296	6589	6594	53
	530	9663	8941	8906	8728	9780	8832	8839	78
	700	12980	12010	11963	11724	13137	11864	11873	107

PGA 3K LPW Data									
LEDs	mA	T1	T2	T3	T4	T5	T5W	T5WR	Watts
16	350	127	117	117	115	128	116	117	18
	530	124	115	115	112	126	114	115	26
	700	116	108	114	105	114	106	107	37
32	350	135	125	125	122	137	124	125	35
	530	131	121	121	118	133	120	121	52
	700	121	112	112	110	123	111	112	71
48	350	135	125	124	122	136	123	124	53
	530	123	113	113	111	124	112	113	78
	700	120	111	111	108	122	110	111	107
PGA 4K LPW Data									
16	350	133	124	123	120	135	122	123	18
	530	131	121	121	118	132	120	121	26
	700	123	113	120	111	120	112	113	37
32	350	142	132	131	128	144	130	131	35
	530	138	128	127	125	140	126	127	52
	700	128	118	118	115	129	117	118	71
48	350	142	131	131	128	143	130	131	53
	530	129	119	119	117	131	118	119	78
	700	126	117	117	114	128	116	117	107
PGA 5K LPW Data									
16	350	128	119	118	116	130	117	117	18
	530	126	116	116	113	127	115	115	26
	700	118	109	115	106	115	108	108	37
32	350	137	126	126	132	138	125	125	35
	530	132	123	122	120	134	121	121	52
	700	123	113	113	111	124	112	112	71
48	350	136	126	125	122	138	124	124	53
	530	124	115	114	112	125	113	113	78
	700	121	112	112	110	123	111	111	107

PGA 3K BUG Data																							
LEDs	mA	T1			T2			T3			T4			T5			T5W			T5WR			Watts
		B	U	G	B	U	G	B	U	G	B	U	G	B	U	G	B	U	G	B	U	G	
16	350	1	0	1	1	0	1	0	0	1	1	0	1	1	0	0	2	0	1				18
	530	2	0	2	1	0	1	1	0	1	1	0	1	2	0	0	2	0	1				26
	700	2	0	2	1	0	2	1	0	1	1	0	1	2	0	1	2	0	1				37
32	350	3	0	3	2	0	2	1	0	2	1	0	2	3	0	1	3	0	1				35
	530	3	0	3	2	0	2	1	0	2	1	0	2	3	0	1	3	0	1				52
	700	3	0	3	2	0	2	1	0	2	2	0	2	3	0	1	3	0	2				71
48	350	3	0	3	2	0	2	1	0	2	2	0	2	3	0	1	3	0	1				53
	530	3	0	3	2	0	3	1	0	2	2	0	2	3	0	1	3	0	2				78
	700	3	0	3	3	0	3	2	0	2	2	0	2	3	0	2	4	0	2				107
PGA 4K BUG Data																							
16	350	1	0	1	1	0	1	0	0	1	1	0	1	1	0	0	2	0	1				18
	530	2	0	2	1	0	1	1	0	1	1	0	1	2	0	0	2	0	1				26
	700	2	0	2	1	0	2	1	0	1	1	0	1	2	0	1	3	0	1				37
32	350	3	0	3	2	0	2	1	0	2	1	0	2	3	0	1	3	0	1				35
	530	3	0	3	2	0	2	1	0	2	2	0	2	3	0	1	3	0	1				52
	700	3	0	3	2	0	2	1	0	2	2	0	2	3	0	1	3	0	2				71
48	350	3	0	3	2	0	2	1	0	2	2	0	2	3	0	1	3	0	1				53
	530	3	0	3	2	0	3	1	0	2	2	0	2	3	0	1	3	0	2				78
	700	3	0	3	3	0	3	2	0	2	2	0	2	3	0	2	4	0	2				107
PGA 5K BUG Data																							
16	350	1	0	1	1	0	1	0	0	1	1	0	1	1	0	0	2	0	1				18
	530	2	0	2	1	0	1	1	0	1	1	0	1	2	0	0	2	0	1				26
	700	2	0	2	1	0	2	1	0	1	1	0	1	2	0	1	2	0	1				37
32	350	2	0	2	1	0	2	1	0	1	1	0	1	2	0	1	3	0	1				35
	530	3	0	3	2	0	2	1	0	2	1	0	2	3	0	1	3	0	1				52
	700	3	0	3	2	0	2	1	0	2	2	0	2	3	0	1	3	0	2				71
48	350	3	0	3	2	0	2	1	0	2	2	0	2	3	0	1	3	0	1				53
	530	3	0	3	2	0	3	1	0	2	2	0	2	3	0	1	3	0	2				78
	700	3	0	3	3	0	3	2	0	2	2	0	2	3	0	2	4	0	2				107



Project Name: _____

Catalog Number: _____

Type: _____

The **PGRS-2 LED** luminaire from Visionaire combines contemporary design with new LED technology; while maintaining a traditional fixture image. The LED performance and Life are maximized by the unique integral aluminum heat sink. It is an ideal replacement for the high-maintenance fluorescent or HID fixtures of yesterday.

The LED housing is cast aluminum with internal heat sink for maximum heat dissipation; with 16 or 32 LEDs. The cast aluminum driver compartment allows the driver to operate cooler for long life.

Three optical distribution patterns are available. Choose between 3000, 4000 or 5000 Kelvin temperature of the LED's.

A durable polyester powder coat finish is guaranteed for five years; and is available in standard or custom colors.

The **PGRS-2 LED** series is an exceptional choice for parking garage lighting and other wall mount applications.

Ordering Information

MODEL	OPTICS	SOURCE	CURRENT	KELVIN	VOLTAGE	MOUNTING	FINISH	OPTIONS	OPTIONS
PGRS-2	T2 Type 2	16LC	3 350mA	3K 3000K	UNV 120-277V	WM Wall Mount	BZ Bronze	PC-120 Button Type Photocell	EBPL Emergency Battery Pack 120V-277V Only
		32LC	5 530mA	4K 4000K	8 347V		BK Black	PC-208 Button Type Photocell	VWC Visionaire Wireless Controls Consult Factory
	T3 Type 3		7 700mA	5K 5000K	5 480V	SBK Smooth Black	PC-240 Button Type Photocell	BP Back Plate	
						WH White	PC-277 Button Type Photocell		
	T4 Type 4					SWH Smooth White	WSC-8 Motion Sensor 8' Mounting Height		
						GP Graphite	WSC-20 Motion Sensor 9-20' Mounting Height		
						GY Grey	WSC-40 Motion Sensor 21-40' Mounting Height		
						SL Silver Metallic			
						CC Custom Color			

WSC options will require (1) FSIR 100 remote for programming

Features & Specifications

Housing

Heavy duty cast aluminum housing with internal heat sink for maximum heat dissipation. Silicone gasket is used for weather tight operation.

Mounting

A Wall Mount bracket can be secured directly to a 4"-5" recessed junction box.

Thermal Management

The PGRS-2 series provides excellent thermal management by mounting the LEDs to the substantial heat sink within the housing. This enables the Luminaire to withstand higher ambient temperatures and driver currents without degrading LED life.

Optical System

- The highest lumen output LEDs are utilized. High-performance acrylic optics feature industry leading Type II, III and IV optical distributions. Acrylic optics are impact-resistant and rated to 94 percent translucence.
- L70 life of our LEDs is rated over 100,000 hours (for 700 mA), The optical system qualifies as IES full cutoff to restrict light trespass, glare and light pollution for neighborhood-friendly lighting.
- CRI values are 70.

Quali-Guard® Finish

The finish is a Quali-Guard® textured, chemically pretreated through a multiple-stage washer, electrostatically applied, thermoset polyester powder coat finish, with a minimum of 3-5 millimeter thickness. Finish is oven-baked at 400° F to promote maximum adherence and finish hardness.

- All finishes are available in standard and custom colors.
- Finish is guaranteed for five (5) years.

Electrical Assembly

The PGRS-2 LED series is supplied with a choice of 350, 530 or 700 high-performance LED drivers that accept 120v thru 480v, 50 Hz to 60 Hz, input.

- Power factor of 90%.
- Rated for -40°C operations.
- 10 kV surge protector supplied as standard.

Warranty

Five (5) year Limited Warranty on electrical components, Five (5) year on finish. For full warranty information, please visit visionairelighting.com.

Options

- Button Style Photocell
- Watt Stopper FSP-211
- Motion Sensor
- Emergency Battery Pack
- Wireless Control

Listings

- PGRS-2 is cUL listed, suitable for wet locations.
- IP66 Rated
- Powder Coated Tough™
- DLC Listed
- Pangealink
- IDA listed



DesignLights Consortium (DLC) qualified Product. Some configurations of this product family may not be DesignLights Consortium (DLC) listed, please refer to the DLC qualified products list to confirm listed configurations. <http://www.designlights.org/> 3000K must be selected for IDA certification. Fixed mount must be selected for IDA dark sky certification.

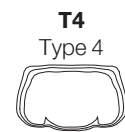
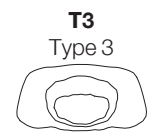
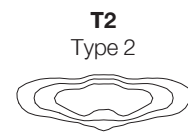
PGRS-2 - Electrical Load (A)							
Ordering Nomenclature	System Watts	120V	208V	240V	277V	347V	480V
PGRS-2-T3-16LC-350MA	18	0.14	0.08	0.07	0.06	0.05	0.04
PGRS-2-T3-16LC-530MA	26	0.22	0.12	0.11	0.09	0.07	0.05
PGRS-2-T3-16LC-700MA	37	0.28	0.16	0.14	0.12	0.10	0.07
PGRS-2-T3-32LC-350MA	34	0.28	0.16	0.14	0.12	0.10	0.07
PGRS-2-T3-32LC-530MA	53	0.43	0.25	0.22	0.19	0.15	0.11
PGRS-2-T3-32LC-700MA	70	0.58	0.33	0.29	0.25	0.20	0.14

Motion Sensor Default Setting									
FSP - 211	High Mode	Low Mode	Time Delay	Cut Off Delay	Sensitivity	Hold Off Setpoint	Photocell On/Off	Ramp Up Time	Fade Down Time
WSC - Default	10V	1V	5 Minutes	1 Hour	Max	Disabled	Disabled	Disabled	Disabled
WSC Range	0-10V	0-9.8V	5-30 Minutes	1-5 Hours	Low, Med, Max	1-250FC	1-250FC	1-60 Dec	1-60 Dec

* Settings can be field modified with the FSIR-100 Programming remote

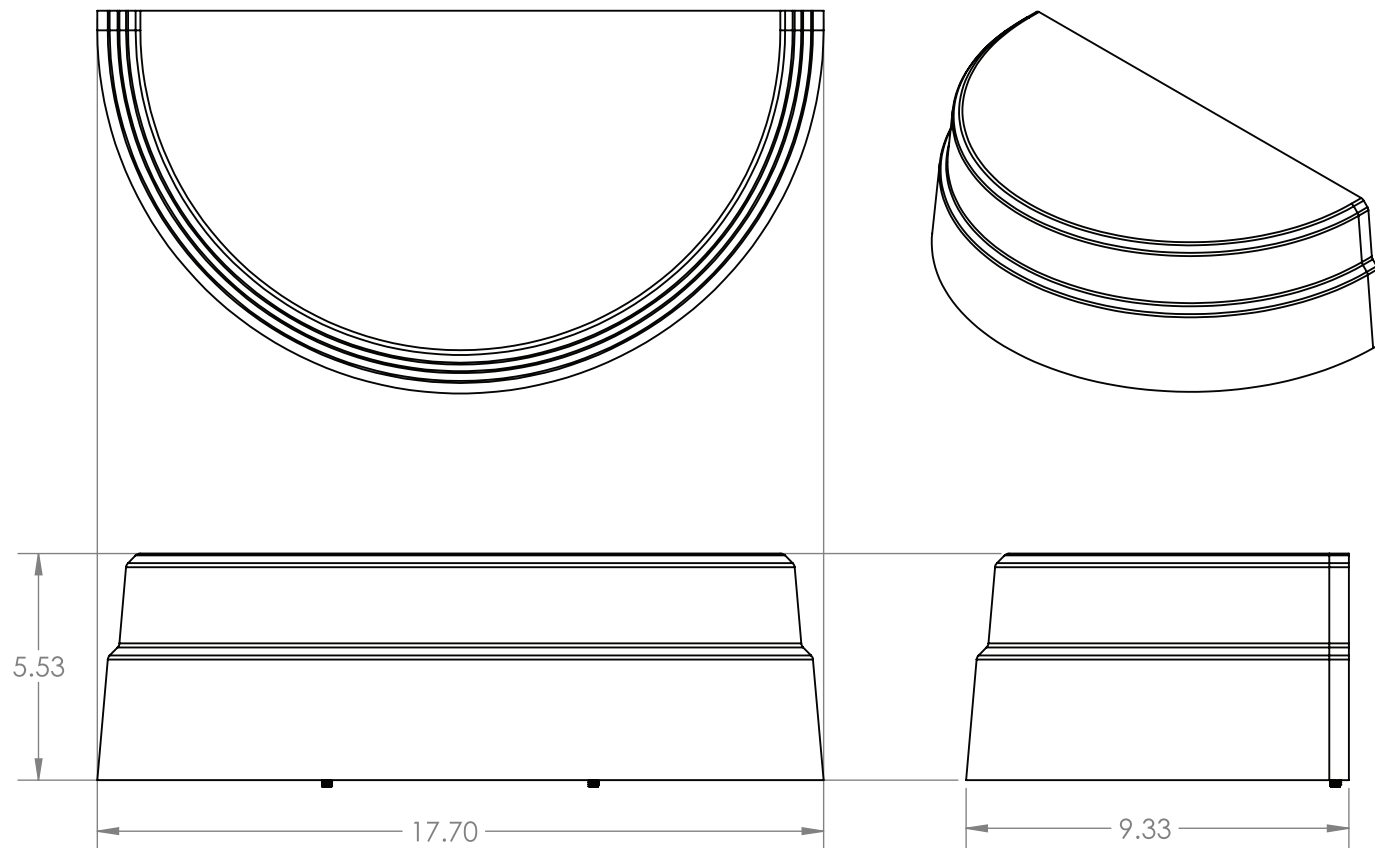
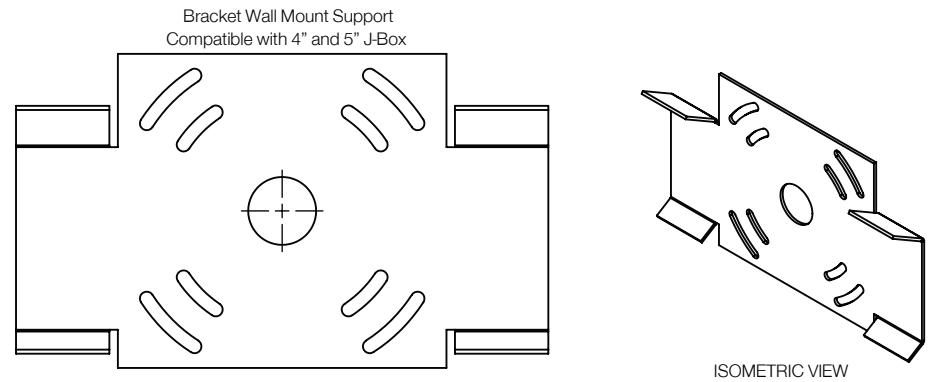
PGRS-2 LED Specifications

Photometric Optical Summary



Dimensions

Width:	PGRS-2 17.70"
Height:	PGRS-2 5.53"
Depth:	PGRS-2 9.33"
Weight:	20 LBS



PGRS-2 3K LUMEN DATA						PGRS-2 3K LUMEN DATA																	
# LEDs	mA	T2	T3	T4	Power (W)	# LEDs	mA	T2	T3	T4	Power (W)												
16	350	2332	2334	2322	17	32	350	4532	4506	4308	34												
	530	3253	3256	3239	26		530	6387	6351	6072	52												
	700	4068	4071	4050	34		700	7800	7756	7415	69												
PGRS-2 4K LUMEN DATA						PGRS-2 4K LUMEN DATA																	
# LEDs	mA	T2	T3	T4	Power (W)	# LEDs	mA	T2	T3	T4	Power (W)												
16	350	2172	2173	2162	17	32	350	4510	4485	4288	34												
	530	3029	3032	3016	26		530	6357	6321	6043	52												
	700	3788	3791	3771	34		700	7763	7719	7380	69												
PGRS-2 5K LUMEN DATA						PGRS-2 5K LUMEN DATA																	
# LEDs	mA	T2	T3	T4	Power (W)	# LEDs	mA	T2	T3	T4	Power (W)												
16	350	2226	2227	2216	17	32	350	4481	4456	4260	34												
	530	3105	3107	3091	26		530	6316	6280	6004	52												
	700	3882	3885	3865	34		700	7713	7669	7332	69												
PGRS-2 3K LPW DATA						PGRS-2 3K LPW DATA																	
# LEDs	mA	T2	T3	T4	Power (W)	# LEDs	mA	T2	T3	T4	Power (W)												
16	350	137	137	137	17	32	350	133	133	127	34												
	530	125	125	125	26		530	123	122	117	52												
	700	120	120	119	34		700	113	112	107	69												
PGRS-2 4K LPW DATA						PGRS-2 4K LPW DATA																	
# LEDs	mA	T2	T3	T4	Power (W)	# LEDs	mA	T2	T3	T4	Power (W)												
16	350	128	128	127	17	32	350	133	132	126	34												
	530	116	117	116	26		530	122	122	116	52												
	700	111	112	111	34		700	113	112	107	69												
PGRS-2 5K LPW DATA						PGRS-2 5K LPW DATA																	
# LEDs	mA	T2	T3	T4	Power (W)	# LEDs	mA	T2	T3	T4	Power (W)												
16	350	131	131	130	17	32	350	132	131	125	34												
	530	119	120	119	26		530	121	121	115	52												
	700	114	114	114	34		700	112	111	106	69												
PGRS-2 3K BUG DATA						PGRS-2 3K BUG DATA																	
# LEDs	mA	T2			T3			T4			Power (W)	# LEDs	mA	T2			T3			T4			Power (W)
16	350	1	0	1	1	0	1	1	0	1	17	32	350	1	0	2	1	0	1	1	0	1	34
	530	1	0	1	1	0	1	1	0	1	26		530	1	0	2	2	0	2	1	0	2	52
	700	1	0	1	1	0	1	1	0	2	34		700	2	0	2	2	0	2	2	0	2	69
PGRS-2 4K BUG DATA						PGRS-2 4K BUG DATA																	
# LEDs	mA	T2			T3			T4			Power (W)	# LEDs	mA	T2			T3			T4			Power (W)
16	350	1	0	1	1	0	1	1	0	1	17	32	350	1	0	2	1	0	1	1	0	1	34
	530	1	0	1	1	0	1	1	0	1	26		530	1	0	2	2	0	2	1	0	2	52
	700	1	0	1	1	0	1	1	0	2	34		700	2	0	2	2	0	2	2	0	2	69
PGRS-2 5K BUG DATA						PGRS-2 5K BUG DATA																	
# LEDs	mA	T2			T3			T4			Power (W)	# LEDs	mA	T2			T3			T4			Power (W)
16	350	1	0	1	1	0	1	1	0	1	17	32	350	1	0	2	1	0	1	1	0	1	34
	530	1	0	1	1	0	1	1	0	1	26		530	1	0	2	2	0	2	1	0	2	52
	700	1	0	1	1	0	1	1	0	2	34		700	2	0	2	2	0	2	2	0	2	69



Project Name: _____

Catalog Number: _____

Type: _____

The **PGRS-1 LED** luminaire from Visionaire combines contemporary design with new LED technology; while maintaining a traditional fixture image. The LED performance and Life are maximized by the unique integral aluminum heat sink. It is an ideal replacement for the high-maintenance fluorescent or HID fixtures of yesterday.

The LED housing is spun aluminum with internal heat sink for maximum heat dissipation; with 16 LEDs. The formed aluminum driver compartment allows the driver to operate cooler for long life.

Choose between 3000, 4000 or 5000 Kelvin temperature of the LED's.

A durable polyester powder coat finish is guaranteed for five years; and is available in standard or custom colors.

The **PGRS-1 LED** series is an exceptional choice for wall mounts at Parking Garages, Recreational Areas, Office Parks, Medical Centers, Hospitality, Large Area Parking, Educational Institutions, perfect for any upscale Traditional Area lighting application.

Ordering Information

MODEL	OPTICS	SOURCE	CURRENT	KELVIN	VOLTAGE	MOUNTING	FINISH	OPTIONS	
PGRS-1	T2 Type 2	16LC	3 350mA	3K 3000K	UNV 120-277V	WM Wall Mount	BZ Bronze	PC-120 Button Type Photocell	
	T3 Type 3		5 530mA	4K 4000K			8 347V	BK Black	PC-208 Button Type Photocell
	T4 Type 4		7 700mA	5K 5000K			5 480V	SBK Smooth Black	PC-240 Button Type Photocell
								WH White	PC-277 Button Type Photocell
								SWH Smooth White	WSC-8 Motion Sensor 8' Mounting Height
								GP Graphite	WSC-20 Motion Sensor 9-20' Mounting Height
								GY Grey	WSC-40 Motion Sensor 21-40' Mounting Height
								SL Silver Metallic	WSC options will require (1) FSIR 100 remote for programming
								CC Custom Color	BP Back Plate

Features & Specifications

Housing

Heavy duty cast aluminum housing with internal heat sink for maximum heat dissipation. Silicone gasket is used for weather tight operation.

Mounting

A Wall Mount bracket can be secured directly to a 4"-5" recessed junction box.

Thermal Management

The PGRS-1 series provides excellent thermal management by mounting the LEDs to the substantial heat sink within the housing. This enables the Luminaire to withstand higher ambient temperatures and driver currents without degrading LED life.

Optical System

- The highest lumen output LEDs are utilized. High-performance acrylic optics feature industry leading Type II, III, and IV optical distributions. Acrylic optics are impact-resistant and rated to 94 percent translucence.
- L70 life of our LEDs is rated over 100,000 hours (for 700 mA), The optical system qualifies as IES full cutoff to restrict light trespass, glare and light pollution for neighborhood-friendly lighting.
- CRI values are 70.

Quali-Guard® Finish

The finish is a Quali-Guard® textured, chemically pretreated through a multiple-stage washer, electrostatically applied, thermoset polyester powder coat finish, with a minimum of 3-5 millimeter thickness. Finish is oven-baked at 400° F to promote maximum adherence and finish hardness.

- All finishes are available in standard and custom colors.
- Finish is guaranteed for five (5) years.

Electrical Assembly

The PGRS-1 LED series is supplied with a choice of 350, 530 or 700 high-performance LED drivers that accept 120v thru 480v, 50 Hz to 60 Hz, input.

- Power factor of 90%.
- Rated for -40°C operations.
- 10 kV surge protector supplied as standard.

Warranty

Five (5) year Limited Warranty on electrical components, Five (5) year on finish. For full warranty information, please visit visionairelighting.com.

Options

- Watt Stopper FSP-211
- Button Style Photocell
- Back Plate

Listings

- PGRS-1 is UL listed, suitable for wet locations.
- IP66 Rated
- Powder Coated Tough™
- DLC Listed
- IDA Listed



DesignLights Consortium (DLC) qualified Product. Some configurations of this product family may not be DesignLights Consortium (DLC) listed, please refer to the DLC qualified products list to confirm listed configurations. <http://www.designlights.org/>
3000K must be selected for IDA certification.
Fixed mount must be selected for IDA dark sky certification.

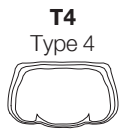
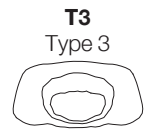
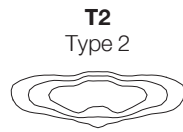
PGRS-1 Electrical Load (A)							
Ordering Nomenclature	System Watts	120V	208V	240V	277V	347V	480V
PGRS-1-T3-16LC-350MA	18	0.14	0.08	0.07	0.06	0.05	0.04
PGRS-1-T3-16LC-530MA	26	0.22	0.12	0.11	0.09	0.07	0.05
PGRS-1-T3-16LC-700MA	37	0.28	0.16	0.14	0.12	0.10	0.07

Motion Sensor Default Setting									
FSP - 211	High Mode	Low Mode	Time Delay	Cut Off Delay	Sensitivity	Hold Off Setpoint	Photocell On/Off	Ramp Up Time	Fade Down Time
WSC - Default	10V	1V	5 Minutes	1 Hour	Max	Disabled	Disabled	Disabled	Disabled
WSC Range	0-10V	0-9.8V	5-30 Minutes	1-5 Hours	Low, Med, Max	1-250FC	1-250FC	1-60 Dec	1-60 Dec

*Settings can be field modified with the FSIR-100 Programming remote

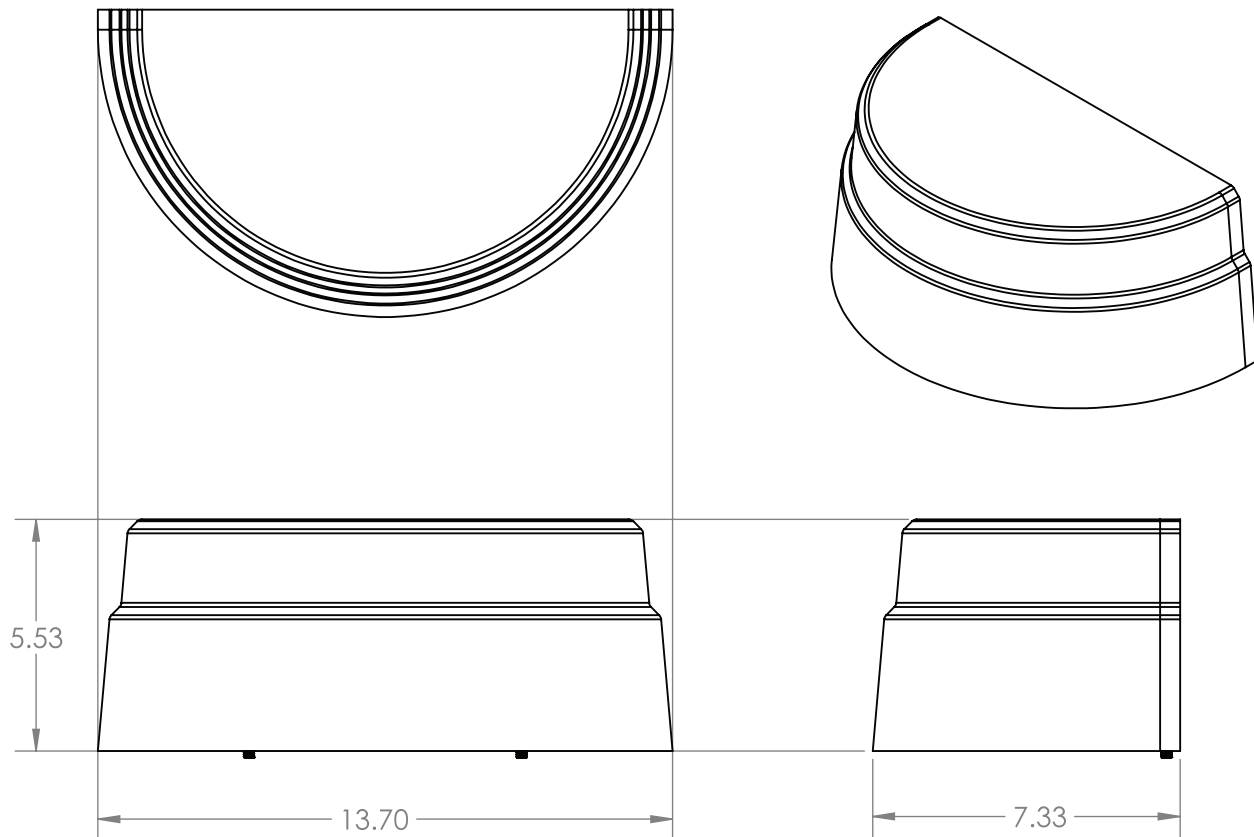
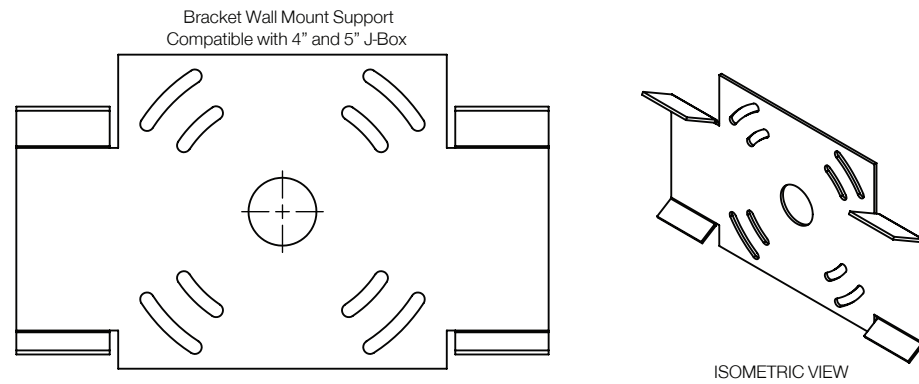
PGRS-1 LED Specifications

Photometric Optical Summary

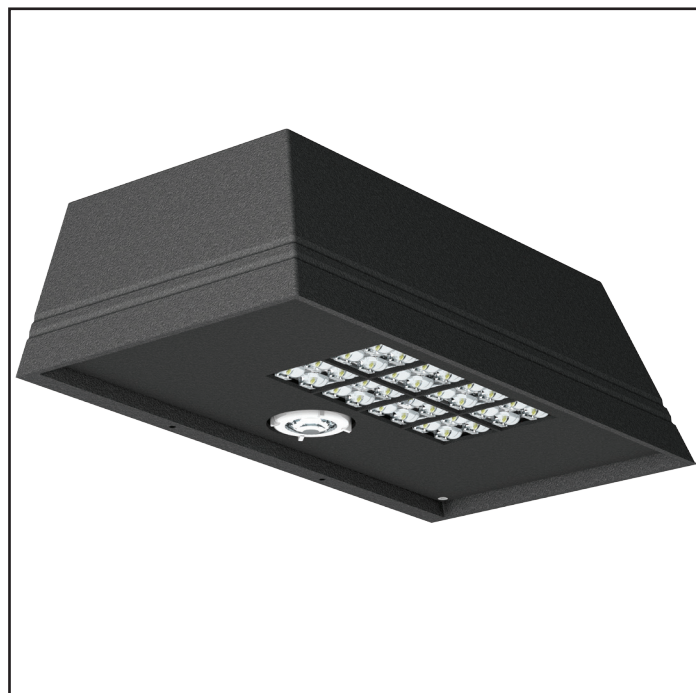


Dimensions

Width:	PGRS-1 13.70"
Height:	PGRS-1 5.53"
Depth:	PGRS-1 7.33"
Weight:	20 LBS



PGRS-1 3K LUMEN DATA											
# LEDs	mA	T2	T3	T4	Power (W)						
16	350	2332	2334	2322	17						
	530	3253	3256	3239	26						
	700	4068	4071	4050	34						
PGRS-1 4K LUMEN DATA											
# LEDs	mA	T2	T3	T4	Power (W)						
16	350	2172	2173	2162	17						
	530	3029	3032	3016	26						
	700	3788	3791	3771	34						
PGRS-1 5K LUMEN DATA											
# LEDs	mA	T2	T3	T4	Power (W)						
16	350	2226	2227	2216	17						
	530	3105	3107	3091	26						
	700	3882	3885	3865	34						
PGRS-1 3K LPW DATA											
# LEDs	mA	T2	T3	T4	Power (W)						
16	350	137	137	137	17						
	530	125	125	125	26						
	700	120	120	119	34						
PGRS-1 4K LPW DATA											
# LEDs	mA	T2	T3	T4	Power (W)						
16	350	128	128	127	17						
	530	116	117	116	26						
	700	111	112	111	34						
PGRS-1 5K LPW DATA											
# LEDs	mA	T2	T3	T4	Power (W)						
16	350	131	131	130	17						
	530	119	120	119	26						
	700	114	114	114	34						
PGRS-1 3K BUG DATA											
# LEDs	mA	T2			T3			T4			Power (W)
		B	U	G	B	U	G	B	U	G	
16	350	1	0	1	1	0	1	1	0	1	17
	530	1	0	1	1	0	1	1	0	1	26
	700	1	0	1	1	0	1	1	0	2	34
PGRS-1 4K BUG DATA											
# LEDs	mA	T2			T3			T4			Power (W)
		B	U	G	B	U	G	B	U	G	
16	350	1	0	1	1	0	1	1	0	1	17
	530	1	0	1	1	0	1	1	0	1	26
	700	1	0	1	1	0	1	1	0	2	34
PGRS-1 5K BUG DATA											
# LEDs	mA	T2			T3			T4			Power (W)
		B	U	G	B	U	G	B	U	G	
16	350	1	0	1	1	0	1	1	0	1	17
	530	1	0	1	1	0	1	1	0	1	26
	700	1	0	1	1	0	1	1	0	2	34



Project Name: _____

Catalog Number: _____

Type: _____

The **PGAS-2 LED** luminaire from Visionaire combines contemporary design with new LED technology; while maintaining a traditional fixture image. The LED performance and Life are maximized by the unique integral aluminum heat sink. It is an ideal replacement for the high-maintenance fluorescent or HID fixtures of yesterday.

The LED housing is cast aluminum with internal heat sink for maximum heat dissipation; with 16 or 32 LEDs. The cast aluminum driver compartment allows the driver to operate cooler for long life.

Three optical distribution patterns are available. Choose between 3000, 4000 or 5000 Kelvin temperature of the LED's.

A durable polyester powder coat finish is guaranteed for five years; and is available in standard or custom colors.

The **PGAS-2 LED** series is an exceptional choice for all wall mount applications.

Ordering Information

MODEL	OPTICS	SOURCE	CURRENT	KELVIN	VOLTAGE	MOUNTING	FINISH	OPTIONS	OPTIONS
PGAS-2	T2 Type 2	16LC	3 350mA	3K 3000K	UNV 120-277V	WM Wall Mount	BZ Bronze	PC-120 Button Type Photocell	EBPL Emergency Battery Pack 120V-277V Only
	T3 Type 3	32LC	5 530mA	4K 4000K	8 347V		BK Black	PC-208 Button Type Photocell	VWC Visionaire Wireless Controls Consult Factory
	T4 Type 4		7 700mA	5K 5000K	5 480V		SBK Smooth Black	PC-240 Button Type Photocell	BP Back Plate
							WH White	PC-277 Button Type Photocell	
							SWH Smooth White		
							GP Graphite	WSC-8 Motion Sensor 8' Mounting Height	
							GY Grey		
							SL Silver Metallic	WSC-20 Motion Sensor 9-20' Mounting Height	
							CC Custom Color	WSC-40 Motion Sensor 21-40' Mounting Height	
									*WSC options will require (1) FSIR 100 remote for programming

Housing

Heavy duty cast aluminum housing with internal heat sink for maximum heat dissipation. Silicone gasket is used for weather tight operation.

Mounting

A Wall Mount bracket can be secured directly to a 4"-5" recessed junction box.

Thermal Management

The PGAS series provides excellent thermal management by mounting the LEDs to the substantial heat sink within the housing. This enables the Luminaire to withstand higher ambient temperatures and driver currents without degrading LED life.

Optical System

- The highest lumen output LEDs are utilized. High-performance acrylic optics feature industry leading Type II, III, and IV optical distributions. Acrylic optics are impact-resistant and rated to 94 percent transmittance.
- L70 life of our LEDs is rated over 100,000 hours (for 700 mA), The optical system qualifies as IES full cutoff to restrict light trespass, glare and light pollution for neighborhood-friendly lighting.
- CRI values are 70.

Quali-Guard® Finish

The finish is a Quali-Guard® textured, chemically pretreated through a multiple-stage washer, electrostatically applied, thermoset polyester powder coat finish, with a minimum of 3-5 millimeter thickness. Finish is oven-baked at 400° F to promote maximum adherence and finish hardness.

- All finishes are available in standard and custom colors.
- Finish is guaranteed for five (5) years.

Electrical Assembly

The PGAS-2 LED series is supplied with a choice of 350, 530 or 700 high-performance LED drivers that accept 120v thru 480v, 50 Hz to 60 Hz, input.

- Power factor of 90%.
- Rated for -40°C operations.
- 10 kV surge protector supplied as standard.

Warranty

Five (5) year Limited Warranty on electrical components, Five (5) year on finish. For full warranty information, please visit visionairelighting.com.

Options

- Button Style Photocell
- Watt Stopper FSP-211
- Back Plate
- Emergency Battery Pack
- Wireless Control

Listings

- PGAS-2 is cUL listed, suitable for wet locations.
- IP66 Rated
- Powder Coated Tough™
- DLC Listed
- Pangealink



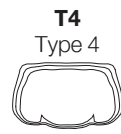
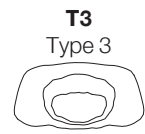
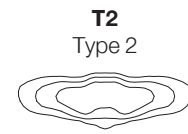
PGAS-2 - Electrical Load (A)							
Ordering Nomenclature	System Watts	120V	208V	240V	277V	347V	480V
PGAS-2-T3-16LC-350MA	18	0.14	0.08	0.07	0.06	0.05	0.04
PGAS-2-T3-16LC-530MA	26	0.22	0.12	0.11	0.09	0.07	0.05
PGAS-2-T3-16LC-700MA	37	0.28	0.16	0.14	0.12	0.10	0.07
PGAS-2-T3-32LC-350MA	34	0.28	0.16	0.14	0.12	0.10	0.07
PGAS-2-T3-32LC-530MA	53	0.43	0.25	0.22	0.19	0.15	0.11
PGAS-2-T3-32LC-700MA	70	0.58	0.33	0.29	0.25	0.20	0.14

Motion Sensor Default Setting									
FSP - 211	High Mode	Low Mode	Time Delay	Cut Off Delay	Sensitivity	Hold Off Setpoint	Photocell On/Off	Ramp Up Time	Fade Down Time
WSC - Default	10V	1V	5 Minutes	1 Hour	Max	Disabled	Disabled	Disabled	Disabled
WSC Range	0-10V	0-9.8V	5-30 Minutes	1-5 Hours	Low, Med, Max	1-250FC	1-250FC	1-60 Dec	1-60 Dec

*Settings can be field modified with the FSIR-100 Programming remote

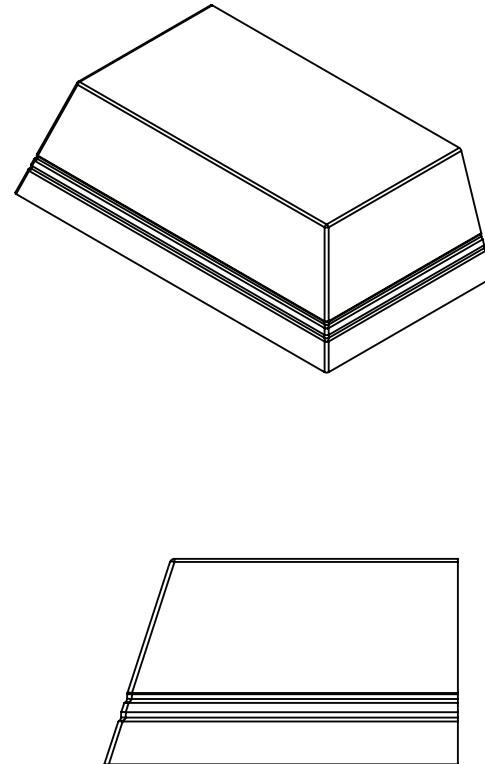
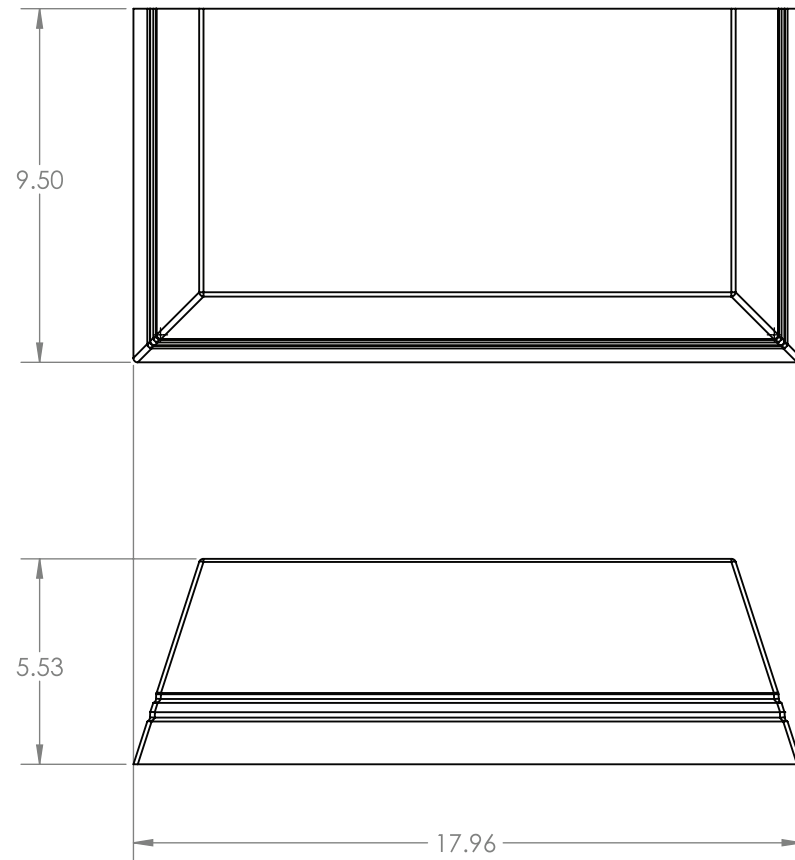
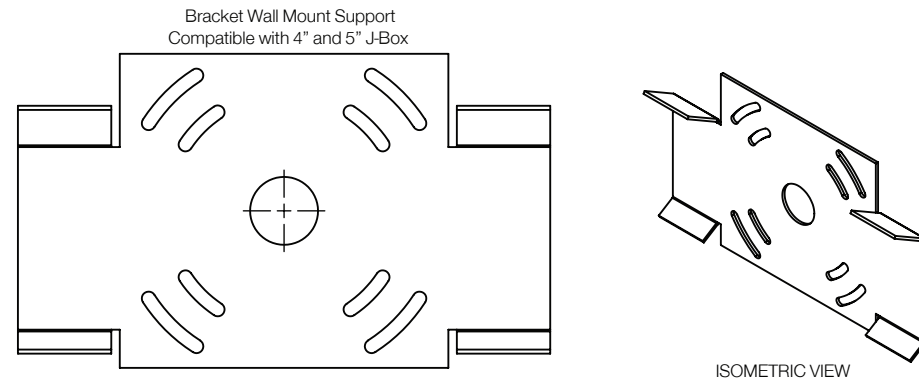
PGAS-2 LED Specifications

Photometric Optical Summary



Dimensions

Width:	PGAS-2 17.96"
Height:	PGAS-2 5.53"
Depth:	PGAS-2 9.50"
Weight:	20 LBS



PGAS-2 3K LUMEN DATA						PGAS-2 3K LUMEN DATA																	
# LEDs	mA	T2	T3	T4	Power (W)	# LEDs	mA	T2	T3	T4	Power (W)												
16	350	2261	2271	2210	17	32	350	4448	4359	4380	34												
	530	3103	3117	3033	26		530	6280	6155	6185	52												
	700	4009	4027	3919	34		700	7810	7654	7691	69												
PGAS-2 4K LUMEN DATA						PGAS-2 4K LUMEN DATA																	
# LEDs	mA	T2	T3	T4	Power (W)	# LEDs	mA	T2	T3	T4	Power (W)												
16	350	2235	2245	2185	17	32	350	4541	4450	4472	34												
	530	3068	3082	2999	26		530	6253	6128	6158	52												
	700	3964	3982	3875	34		700	7645	7492	7528	69												
PGAS-2 5K LUMEN DATA						PGAS-2 5K LUMEN DATA																	
# LEDs	mA	T2	T3	T4	Power (W)	# LEDs	mA	T2	T3	T4	Power (W)												
16	350	2191	2201	2142	17	32	350	4437	4348	4369	34												
	530	3007	3020	2939	26		530	6220	6096	6125	52												
	700	3885	3903	3798	34		700	7556	7405	7441	69												
PGAS-2 3K LPW DATA						PGAS-2 3K LPW DATA																	
# LEDs	mA	T2	T3	T4	Power (W)	# LEDs	mA	T2	T3	T4	Power (W)												
16	350	133	134	130	17	32	350	131	128	129	34												
	530	119	120	117	26		530	121	118	119	52												
	700	118	118	115	34		700	113	111	111	69												
PGAS-2 4K LPW DATA						PGAS-2 4K LPW DATA																	
# LEDs	mA	T2	T3	T4	Power (W)	# LEDs	mA	T2	T3	T4	Power (W)												
16	350	131	132	129	17	32	350	134	131	132	34												
	530	118	119	115	26		530	120	118	118	52												
	700	117	117	114	34		700	111	109	109	69												
PGAS-2 5K LPW DATA						PGAS-2 5K LPW DATA																	
# LEDs	mA	T2	T3	T4	Power (W)	# LEDs	mA	T2	T3	T4	Power (W)												
16	350	129	129	126	17	32	350	130	128	128	34												
	530	116	116	113	26		530	120	117	118	52												
	700	114	115	112	34		700	110	107	108	69												
PGAS-2 3K BUG DATA						PGAS-2 3K BUG DATA																	
# LEDs	mA	T2			T3			T4			Power (W)	# LEDs	mA	T2			T3			T4			Power (W)
16	350	B	U	G	B	U	G	B	U	G	17	32	350	B	U	G	B	U	G	B	U	G	34
	530	1	0	1	1	0	1	1	0	1	26		530	1	0	2	2	0	2	2	0	2	52
	700	1	0	1	1	0	1	1	0	1	34		700	2	0	3	2	0	2	2	0	2	69
PGAS-2 4K BUG DATA						PGAS-2 4K BUG DATA																	
# LEDs	mA	T2			T3			T4			Power (W)	# LEDs	mA	T2			T3			T4			Power (W)
16	350	B	U	G	B	U	G	B	U	G	17	32	350	B	U	G	B	U	G	B	U	G	34
	530	1	0	1	1	0	1	1	0	1	26		530	1	0	2	2	0	2	2	0	2	52
	700	1	0	1	1	0	1	1	0	1	34		700	2	0	2	2	0	2	2	0	2	69
PGAS-2 5K BUG DATA						PGAS-2 5K BUG DATA																	
# LEDs	mA	T2			T3			T4			Power (W)	# LEDs	mA	T2			T3			T4			Power (W)
16	350	B	U	G	B	U	G	B	U	G	17	32	350	B	U	G	B	U	G	B	U	G	34
	530	1	0	1	1	0	1	1	0	1	26		530	1	0	2	2	0	2	2	0	2	52
	700	1	0	1	1	0	1	1	0	1	34		700	2	0	2	2	0	2	2	0	2	69



Project Name: _____

Catalog Number: _____

Type: _____

The **PGAS-1 LED** luminaire from Visionaire combines contemporary design with new LED technology while maintaining a traditional fixture image. The LED performance and Life are maximized by the unique integral aluminum heat sink. It is an ideal replacement for the high-maintenance fluorescent or HID fixtures of yesterday.

The LED housing is cast aluminum with internal heat sink for maximum heat dissipation with 16 or 32 LEDs. The cast aluminum driver compartment allows the driver to operate cooler for long life.

Three optical distribution patterns are available. Choose between 3000, 4000 or 5000 Kelvin temperature of the LED's.

A durable polyester powder coat finish is guaranteed for five years and is available in standard or custom colors.

The **PGAS-1 LED** series is an exceptional choice for parking garage lighting and other wall mount applications.

Ordering Information

MODEL	OPTICS	SOURCE	CURRENT	KELVIN	VOLTAGE	MOUNTING	FINISH	OPTIONS
PGAS-1	T2 Type 2	16LC <small>*WSC for 16LC Only</small>	3 350mA	3K 3000K	UNV 120-277V	WM Wall Mount	BZ Bronze	PC-120 Button Type Photocell
	T3 Type 3	32LC	5 530mA	4K 4000K	8 347V		BK Black	PC-208 Button Type Photocell
	T4 Type 4		7 700mA	5K 5000K	5 480V		SBK Smooth Black	PC-240 Button Type Photocell
							WH White	PC-277 Button Type Photocell
							SWH Smooth White	WSC-8 Motion Sensor 8' Mounting Height
							GP Graphite	WSC-20 Motion Sensor 9-20' Mounting Height
							GY Grey	WSC-40 Motion Sensor 21-40' Mounting Height
							SL Silver Metallic	
							CC Custom Color	
								BP Back Plate

WSC options will require (1) FSIR 100 remote for programming

WSC for 16LC Only

Features & Specifications

Housing

Heavy duty cast aluminum housing with internal heat sink for maximum heat dissipation. Silicone gasket is used for weather tight operation.

Mounting

A Wall Mount bracket can be secured directly to a 4"-5" recessed junction box.

Thermal Management

The PGAS-1 series provides excellent thermal management by mounting the LEDs to the substantial heat sink within the housing. This enables the Luminaire to withstand higher ambient temperatures and driver currents without degrading LED life.

Optical System

- The highest lumen output LEDs are utilized. High-performance acrylic optics feature industry leading Type II, III and IV optical distributions. Acrylic optics are impact-resistant and rated to 94 percent translucence.
- L70 life of our LEDs is rated over 100,000 hours (for 700 mA), The optical system qualifies as IES full cutoff to restrict light trespass, glare and light pollution for neighborhood-friendly lighting.
- CRI values are 70.

Quali-Guard® Finish

The finish is a Quali-Guard® textured, chemically pretreated through a multiple-stage washer, electrostatically applied, thermoset polyester powder coat finish, with a minimum of 3-5 millimeter thickness. Finish is oven-baked at 400° F to promote maximum adherence and finish hardness.

- All finishes are available in standard and custom colors.
- Finish is guaranteed for five (5) years.

Electrical Assembly

The PGAS-1 LED series is supplied with a choice of 350, 530 or 700 high-performance LED drivers that accept 120v thru 480v, 50 Hz to 60 Hz, input.

- Power factor of 90%.
- Rated for -40°C operations.
- 10 kV surge protector supplied as standard.

Warranty

Five (5) year Limited Warranty on electrical components, Five (5) year on finish. For full warranty information, please visit visionairelighting.com.

Options

- Watt Stopper FSP-211
- Button Type Photocell
- Back Plate

Listings

- PGAS-1 is cUL listed, suitable for wet locations.
- IP66 Rated
- Powder Coated Tough™
- DLC Listed



DesignLights Consortium (DLC) qualified Product. Some configurations of this product family may not be DesignLights Consortium (DLC) listed, please refer to the DLC qualified products list to confirm listed configurations. <http://www.designlights.org/> 3000K must be selected for IDA certification. Fixed mount must be selected for IDA dark sky certification.

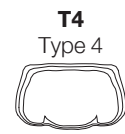
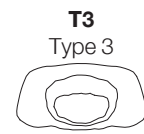
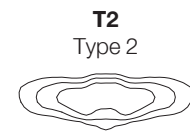
PGAS-1 - Electrical Load (A)							
Ordering Nomenclature	System Watts	120V	208V	240V	277V	347V	480V
PGAS-1-T3-16LC-350MA	18	0.14	0.08	0.07	0.06	0.05	0.04
PGAS-1-T3-16LC-530MA	26	0.22	0.12	0.11	0.09	0.07	0.05
PGAS-1-T3-16LC-700MA	37	0.28	0.16	0.14	0.12	0.10	0.07
PGAS-1-T3-32LC-350MA	34	0.28	0.16	0.14	0.12	0.10	0.07
PGAS-1-T3-32LC-530MA	53	0.43	0.25	0.22	0.19	0.15	0.11
PGAS-1-T3-32LC-700MA	70	0.58	0.33	0.29	0.25	0.20	0.14

Motion Sensor Default Setting									
FSP - 211	High Mode	Low Mode	Time Delay	Cut Off Delay	Sensitivity	Hold Off Setpoint	Photocell On/Off	Ramp Up Time	Fade Down Time
WSC - Default	10V	1V	5 Minutes	1 Hour	Max	Disabled	Disabled	Disabled	Disabled
WSC Range	0-10V	0-9.8V	5-30 Minutes	1-5 Hours	Low, Med, Max	1-250FC	1-250FC	1-60 Dec	1-60 Dec

*Settings can be field modified with the FSIR-100 Programming remote

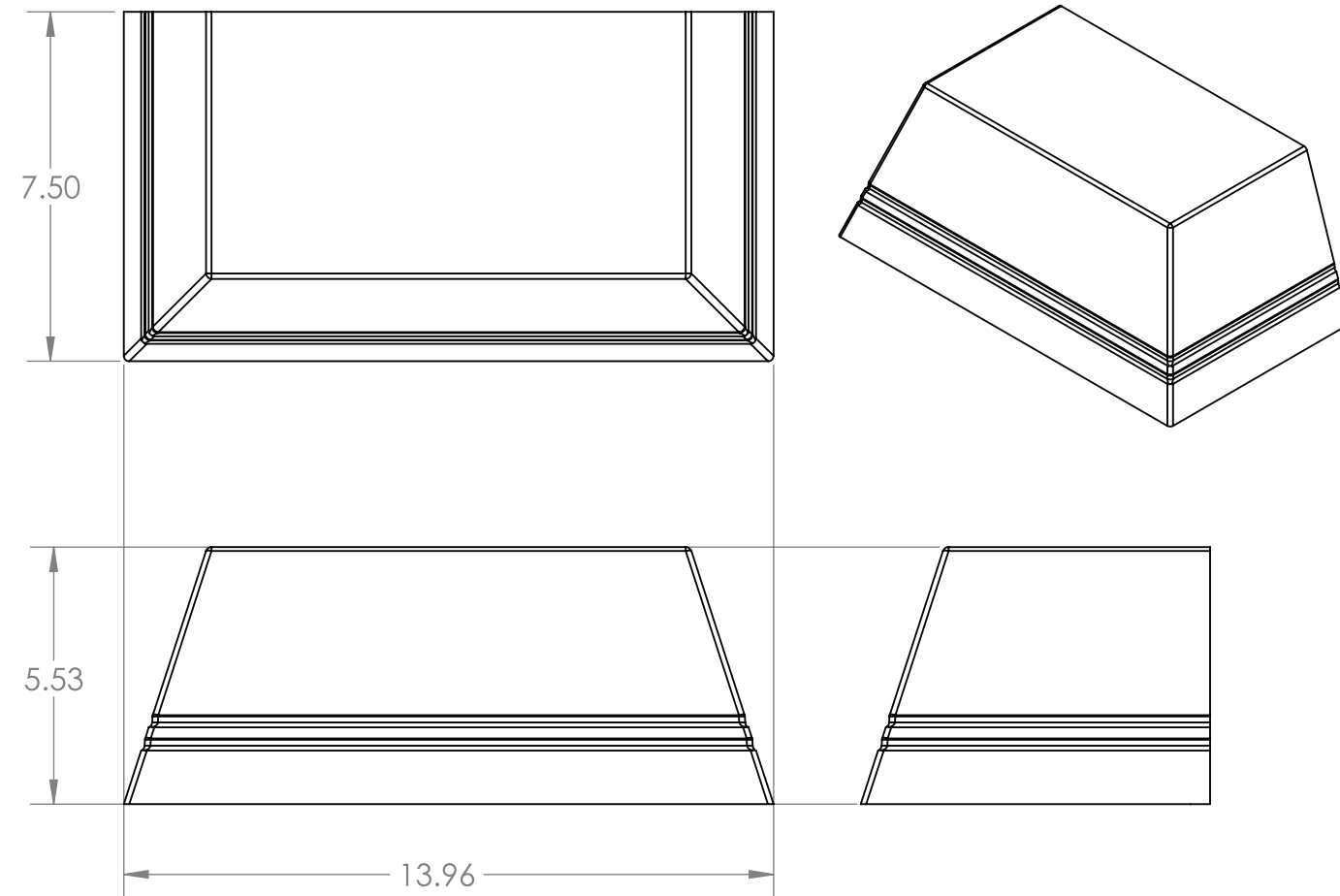
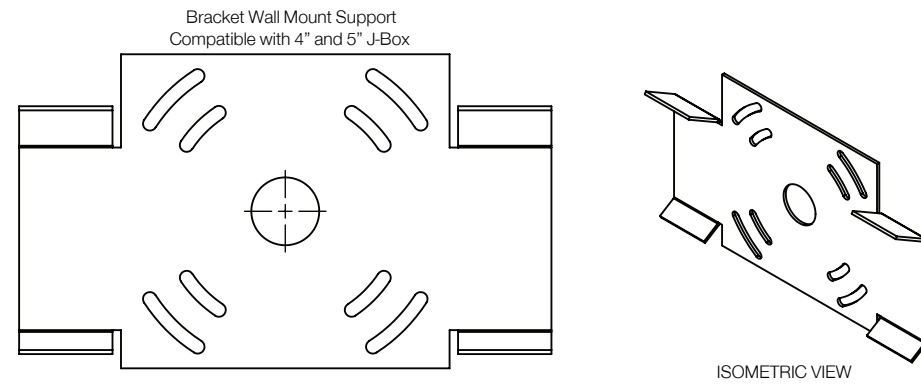
PGAS-1 LED Specifications

Photometric Optical Summary



Dimensions

Width:	PGAS-1	13.96"
Height:	PGAS-1	5.53"
Depth:	PGAS-1	7.50"
Weight:		20 LBS



PGAS-1 3K LUMEN DATA						PGAS-1 3K LUMEN DATA																	
# LEDs	mA	T2	T3	T4	Power (W)	# LEDs	mA	T2	T3	T4	Power (W)												
16	350	2261	2271	2210	17	32	350	4448	4359	4380	34												
	530	3103	3117	3033	26		530	6280	6155	6185	52												
	700	4009	4027	3919	34		700	7810	7654	7691	69												
PGAS-1 4K LUMEN DATA						PGAS-1 4K LUMEN DATA																	
# LEDs	mA	T2	T3	T4	Power (W)	# LEDs	mA	T2	T3	T4	Power (W)												
16	350	2235	2245	2185	17	32	350	4541	4450	4472	34												
	530	3068	3082	2999	26		530	6253	6128	6158	52												
	700	3964	3982	3875	34		700	7645	7492	7528	69												
PGAS-1 5K LUMEN DATA						PGAS-1 5K LUMEN DATA																	
# LEDs	mA	T2	T3	T4	Power (W)	# LEDs	mA	T2	T3	T4	Power (W)												
16	350	2191	2201	2142	17	32	350	4437	4348	4369	34												
	530	3007	3020	2939	26		530	6220	6096	6125	52												
	700	3885	3903	3798	34		700	7556	7405	7441	69												
PGAS-1 3K LPW DATA						PGAS-1 3K LPW DATA																	
# LEDs	mA	T2	T3	T4	Power (W)	# LEDs	mA	T2	T3	T4	Power (W)												
16	350	133	134	130	17	32	350	131	128	129	34												
	530	119	120	117	26		530	121	118	119	52												
	700	118	118	115	34		700	113	111	111	69												
PGAS-1 4K LPW DATA						PGAS-1 4K LPW DATA																	
# LEDs	mA	T2	T3	T4	Power (W)	# LEDs	mA	T2	T3	T4	Power (W)												
16	350	131	132	129	17	32	350	134	131	132	34												
	530	118	119	115	26		530	120	118	118	52												
	700	117	117	114	34		700	111	109	109	69												
PGAS-1 5K LPW DATA						PGAS-1 5K LPW DATA																	
# LEDs	mA	T2	T3	T4	Power (W)	# LEDs	mA	T2	T3	T4	Power (W)												
16	350	129	129	126	17	32	350	130	128	128	34												
	530	116	116	113	26		530	120	117	118	52												
	700	114	115	112	34		700	110	107	108	69												
PGAS-1 3K BUG DATA						PGAS-1 3K BUG DATA																	
# LEDs	mA	T2			T3			T4			Power (W)	# LEDs	mA	T2			T3			T4			Power (W)
16	350	B	U	G	B	U	G	B	U	G	17	32	350	B	U	G	B	U	G	B	U	G	34
	530	1	0	1	1	0	1	1	0	1	26		530	1	0	2	2	0	2	2	0	2	52
	700	1	0	1	1	0	1	1	0	1	34		700	2	0	3	2	0	2	2	0	2	69
PGAS-1 4K BUG DATA						PGAS-1 4K BUG DATA																	
# LEDs	mA	T2			T3			T4			Power (W)	# LEDs	mA	T2			T3			T4			Power (W)
16	350	B	U	G	B	U	G	B	U	G	17	32	350	B	U	G	B	U	G	B	U	G	34
	530	1	0	1	1	0	1	1	0	1	26		530	1	0	2	2	0	2	2	0	2	52
	700	1	0	1	1	0	1	1	0	1	34		700	2	0	2	2	0	2	2	0	2	69
PGAS-1 5K BUG DATA						PGAS-1 5K BUG DATA																	
# LEDs	mA	T2			T3			T4			Power (W)	# LEDs	mA	T2			T3			T4			Power (W)
16	350	B	U	G	B	U	G	B	U	G	17	32	350	B	U	G	B	U	G	B	U	G	34
	530	1	0	1	1	0	1	1	0	1	26		530	1	0	2	2	0	2	2	0	2	52
	700	1	0	1	1	0	1	1	0	1	34		700	2	0	2	2	0	2	2	0	2	69



 **VISIONAIRE**
L I G H T I N G

19645 Rancho Way, Rancho Dominguez, CA 90220

310.512.6480 · www.visionairelighting.com