

BLX-II ARRAY ROADWAY LED Specifications

BLX-II-4 Arm Mount W/Decorative Shroud Shown



Project Name:

Catalog Number:

Type:

The **BLX-II Array Roadway** Series is designed for maximum flexibility while providing major energy and maintenance savings. Separating the extruded aluminum driver housing and the individual linear die-cast aluminum LED engines, optimizes the life of the LEDs and the driver(s), and maximizes the lumen output of the fixture.

The LED's performance and the driver's life are maximized by enclosing them in two separate die cast aluminum housings.

The BLX-II Array Roadway fixture is offered with lumen packages ranging from 20,000 - 145,000. Choose between 3000, 4000 or 5000 Kelvin temperature.

The **BLX-II Array Roadway** is an exceptional choice and the new standard for roadway lighting applications, bringing LED technology with long life and low maintenance.

Ordering Information

| MODEL | OPTICS | LUMENS | KELVIN | VOLTAGE | MOUNTING | MOUNTING | FINISH | OPTIONS | OPTIONS |
|-------------------------------------|--------------------------------------|--|---|---|------------------------------|--|---|---|--|
| BLX-II-3 | T1 Type 1 | 20L | 3K 3000K | UNV 120-277V | PT Post Top | WM Wall Mount BLX-II-3 & BLX-II-4 Only | GY Grey | PCR-120 PCR-208 PCR-240 PCR-277 PCR-347 PCR-480 Photocell & Receptacle | DIM 0-10v Dimming Driver *No Controls |
| | | 25L | 4K 4000K | 8 347V | | | | | |
| | T2 Type 2 | 30L | 5K 5000K | 5 480V | MA Mast Arm Fitter | AWM Adjustable Wall Mount BLX-II-3 & BLX-II-4 Only | SL Silver Metallic | WSC-8 Motion Sensor 8' Mounting Height | |
| | | 35L | AM Arm Mount Extended arm is needed for the BLX-III-6 & BLX-III-8 in D9, T9, T120 & QD configurations *extended arm sold separately | BK Black | | | | | |
| | T3 Type 3 | 40L | TM Trunnion Mount | | BOA Bolt-On Arm | BAWP Bolt-On Arm Wall Plate *BLX-3 & BLX-4 only | SBK Smooth Black | PER 3 Pin Photo Receptacle w/shorting cap | WSC-20 Motion Sensor 9-20' Mounting Height |
| 45L | | | | | | | | | |
| BLX-II-4 | T3L Type 3 Long | 50L | AM Arm Mount Extended arm is needed for the BLX-III-6 & BLX-III-8 in D9, T9, T120 & QD configurations *extended arm sold separately | BAWP-XL Bolt-On Arm Wall Plate-XL *BLX-6 & BLX-8 only | WH White | 5PINPER 7PINPER 5 OR 7 Pin Photo Receptacle w/shorting cap Requires Dimming Driver | WSC-40 Motion Sensor 21-40' Mounting Height *WSC options will require (1) FSIR 100 remote for programming | | |
| | | 55L | | | | | | | |
| | T4 Type 4 | 60L | UPMA-S Universal Square Pole Mount Adaptor *Not available with BLX-II-8 | UPMA-R Universal Round Pole Mount Adaptor *Not available with BLX-II-8 | SWH Smooth White | BZ Bronze | GP Graphite | CC Custom Color | |
| 65L | | | | | | | | | |
| 70L | | | | | | | | | |
| BLX-II-6 | T4L Type 4 Long | 80L | UPMA-S Universal Square Pole Mount Adaptor *Not available with BLX-II-8 | UPMA-R Universal Round Pole Mount Adaptor *Not available with BLX-II-8 | GP Graphite | CC Custom Color | ROT-R Rotated Optics Right Side | ROT-L Rotated Optics Left Side | DS Decorative Shroud |
| | | 90L | | | | | | | |
| | | 100L | | | | | | | |
| BLX-II-8 | T5SR Type 5 Short Round | 110L | UPMA-S Universal Square Pole Mount Adaptor *Not available with BLX-II-8 | UPMA-R Universal Round Pole Mount Adaptor *Not available with BLX-II-8 | GP Graphite | CC Custom Color | ROT-R Rotated Optics Right Side | ROT-L Rotated Optics Left Side | RPP Round Pole Plate Adaptor For 3"Ø - 5"Ø Pole |
| | | 120L | | | | | | | |
| | | 130L | | | | | | | |
| T5LR Type 5 Long Round | 145L | UPMA-S Universal Square Pole Mount Adaptor *Not available with BLX-II-8 | UPMA-R Universal Round Pole Mount Adaptor *Not available with BLX-II-8 | GP Graphite | CC Custom Color | ROT-R Rotated Optics Right Side | ROT-L Rotated Optics Left Side | VWC Visionaire Wireless Controls *Consult Factory | ZFP Zinc-Free Primer |
| | 145L | | | | | | | | |

Features & Specifications

BLX-II ARRAY ROADWAY

Housing

The LED light engines are constructed of heavy-duty, die-cast aluminum, with external heat radiating fins.

Driver Compartment

The separate driver housing is constructed of 6063 T5 extruded aluminum alloy, with machined aluminum end covers and stainless steel fasteners for easy access to the LED driver(s) allowing for cooler operation and longer driver life. One-piece gasketing is utilized throughout the fixture for a weather tight IP66 rating.

Thermal Management

- The BLX-II Array Roadway Series provides excellent overall thermal management by maximizing the fixture's heat sink capabilities. This enables the BLX-II Array Roadway Series to withstand higher ambient temperatures and drive currents without degrading LED life.
- The L70 test determines the point in an LEDs life when it reaches 70 percent of its initial output. The LEDs used in the BLX-II Array Roadway Series have been calculated to have an L70 greater than 100,000 hours in 25° C environments using the Energy Star TM21 Calculator.

Optical System

- High Power/High Lumen output LED's are utilized in the BLX-II Array Roadway series. We offer IES distribution types: I, II, III, IV, V. Specially designed optics types are also available, T4A, T5SR, T5LR & T5LS. LED light engines come in multiples of 32 LED Arrays.
- Standard CRI is 70, CRI's of 80 and 90 are available upon special request.
- LED optical Assembly is rated for IP66 using high performance Optical Grade Acrylic.

New LED Array Technology

- 4 Diodes now replace a single Led chip and operate at 25% of the drive current allowing for higher efficiency, less heat and longer life. (10 Year Warranty)
- More LEDs at a lower drive current provides a more comfortable visual effect.

Quali-Guard® Finish

- The finish is a Quali-Guard® textured, chemically pretreated through a multiple-stage washer, electrostatically applied, thermoset polyester powder coat finish, with a minimum of 3-5 millimeter thickness. Finish is oven-baked at 400 °F to promote maximum adherence and finish hardness.
- All finishes are available in standard and custom colors.
- Finish is guaranteed for Five (5) years.
- Zinc-Free Primer is used as an additional protective barrier between the luminaire and harsh environments

Mounting

- An adjustable knuckle slip fits over a 2 3/8" Tenon, and allows for up to 50° degrees of vertical adjustment in 10° degree increments from horizontal, as well as full side to side adjustment with the knuckle mount.
- The Bolt -On Arm (BOA) utilizes a 2 piece cleat system for easy installation. A Round Pole Plate Adaptor (RPP) is required for mounting to round poles.
- Mast Arm Fitter fits over a 2 3/8" tenon.
- Post Top fits over a 2 3/8" tenon and is adjustable up to 45°.
- Trunnion Mount is adjustable up to 50°
- Adjustable Wall Mount BLX-II-3 & BLX-II-4 Only
- Bolt-On Arm Wall Plate
- Bolt-On Arm Wall Plate-XL

Electrical Assembly

- The BLX-II Array Roadway Series is supplied with a choice of 350, 530, 700, 1000, 1200 or 1400 mA high-performance LED drivers, that accept 120v thru 480v, 50 Hz to 60 Hz, input. Power factor of 95%. Rated for -40° C to +55° C operations.
- 20 kV surge protector supplied as standard. Meets ANSI C82.77-5-2015. Meets ANSI C136.2-2015. Meets IEEE C62.41.2. Meets US Dept of Energy MSSLC Model Spec. IP66 Rated.
- 85 Amp, 600 Volt AC/DC Terminal block supplied as standard except for Knuckle Mount. #4-14# AWG Copper wire only.
- 0-10v Dimming Driver supplied as standard.
- LED drivers used in the BLX-II Array Roadway series are all high efficiency (>90%) class 1 drivers. Minimum internal surge protection of 3KV/ internal fusing (some configurations have higher), 10% minimum dimming, 100,000 hr rated lifetime @ 25° C. All configurations meet DLC minimum requirements of THD <20%, PF>0.90. Consult factory for datasheets/technical information pertaining to drivers.

Warranty

- Ten (10) year Limited Warranty on electrical components (Driver & LED Boards).
 - Five (5) year on finish.
- For full warranty information, please visit visionairelighting.com.

Options

- 5Pin ANSI C136.41
- 7Pin ANSI C136.41
- Photocell & Receptacle
- Photo Receptacle
- Round pole plate adaptor
- Motion Sensor
- Pole Mounted Motion Sensor
- Universal Pole Mount Adaptor (BLX-II-3, BLX-II-4 & BLX-II-6 Only)
- Decorative Shroud
- Wireless Controls
- Rotated Optics

Listings

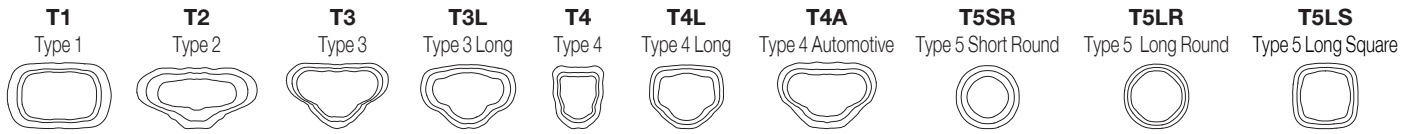
- BOW LX II Array Series is UL listed, suitable for wet locations
- LM79 and LM80
- RoHS compliant
- Meets ANSI C136.31-2010 3G Vibration Standards for:
 - Knuckle Mount
 - Mast Arm Mount
 - Post Top Mount
 - Trunnion Mount
 - BOA
- Powder Coated Tough™
- IP-66 Rated

DesignLights Consortium (DLC) qualified Product. Some configurations of this product family may not be DesignLights Consortium (DLC) listed, please refer to the DLC qualified products list to confirm listed configurations. <http://www.designlights.org/> 3000K must be selected with a fixed mount for IDA certification.



BLX-II ARRAY ROADWAY LED Specifications

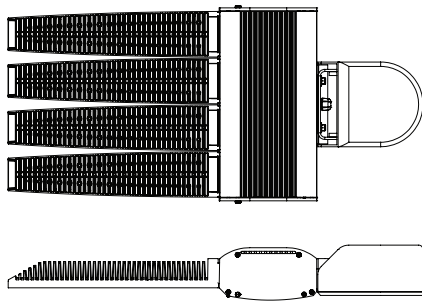
Photometric Optical Summary



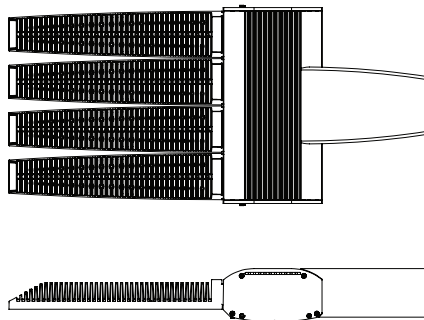
Dimensions

| Post Top | | Mast Arm | | Knuckle Mount | | Bolt-On Arm | | Trunnion | |
|----------------|--|----------------|--|----------------|--|----------------|--|----------------|---|
| Width: | BLX-II-3 15" BLX-II-4 17" BLX-II-6 28" BLX-II-8 33" | Width: | BLX-II-3 15" BLX-II-4 17" BLX-II-6 28" BLX-II-8 33" | Width: | BLX-II-3 15" BLX-II-4 17" BLX-II-6 28" BLX-II-8 33" | Width: | BLX-II-3 15" BLX-II-4 17" BLX-II-6 28" BLX-II-8 33" | Width: | BLX-II-3 15" BLX-II-4 17" BLX-II-6 28" BLX-III-8 33" |
| Depth: | BLX-II-3 36" BLX-II-4 36" BLX-II-6 36" BLX-II-8 36" | Depth: | BLX-II-3 36" BLX-II-4 36" BLX-II-6 36" BLX-II-8 36" | Depth: | BLX-II-3 37" BLX-II-4 37" BLX-II-6 37" BLX-II-8 37" | Depth: | BLX-II-3 34" BLX-II-4 34" BLX-II-6 34" BLX-II-8 34" | Depth: | BLX-II-3 33" BLX-II-4 33" BLX-II-6 33" BLX-II-8 33" |
| Height: | BLX-II-3 6" BLX-II-4 6" BLX-II-6 6" BLX-II-8 6" | Height: | BLX-II-3 5" BLX-II-4 5" BLX-II-6 5" BLX-II-8 5" | Height: | BLX-II-3 5" BLX-III-4 5" BLX-II-6 5" BLX-II-8 5" | Height: | BLX-II-3 5"/9" BLX-II-4 5"/9" BLX-II-6 5"/9" BLX-II-8 5"/9" | Height: | BLX-II-3 5" BLX-II-4 5" BLX-II-6 5" BLX-II-8 5" |

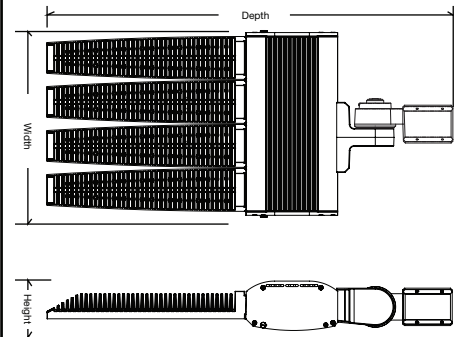
Post Top



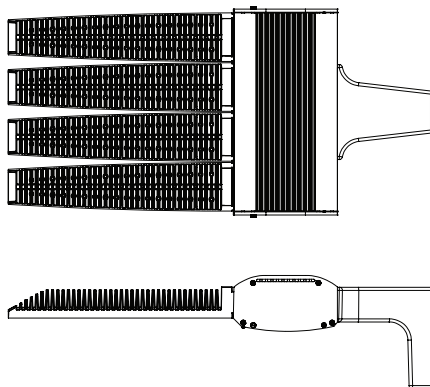
Mast Arm



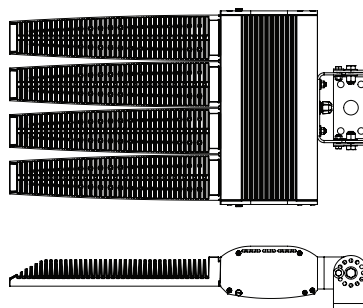
Knuckle Mount



Bolt-On Arm



Trunnion Mount



| BLX-II EPA Data | | | | |
|-----------------|----------|----------|----------|----------|
| Tilt Deg. | BLX-II-3 | BLX-II-4 | BLX-II-6 | BLX-II-8 |
| 0 | .7 | .7 | .8 | 1.1 |
| 10 | .71 | .9 | 1.2 | 1.6 |
| 20 | 1.02 | 1.3 | 1.8 | 2 |
| 30 | 1.32 | 1.7 | 2.4 | 3.1 |
| 40 | 1.62 | 2.1 | 3 | 3.9 |
| 50 | 1.86 | 2.4 | 3.4 | 4.5 |

| Weight | | | | |
|--------|--------|--------|--------|--------|
| BLX-II | 45 LBS | 54 LBS | 68 LBS | 96 LBS |
| | | | | |

LED Specifications **BLX-II ARRAY ROADWAY**

| BLX II 3K LUMEN DATA | | | | | | | | | | | | | |
|----------------------|---------|-------------------|--------|--------|--------|--------|--------|--------|--------|--------|--------|--------|-------|
| Lumens | Current | LEDs | T1 | T2 | T3 | T3L | T4 | T4L | T4A | T5SR | T5LR | T5LS | Watts |
| 20L | 530 | 96AR BLX-II-3 | 19826 | 19730 | 19363 | 18445 | 19548 | 18628 | 19648 | 19862 | 19207 | 19943 | 149 |
| 25L | 600 | | 22801 | 22690 | 22268 | 21059 | 22481 | 21268 | 22596 | 22842 | 22089 | 22935 | 174 |
| 30L | 700 | | 25776 | 25651 | 25174 | 23673 | 25415 | 23908 | 25544 | 25823 | 24970 | 25928 | 200 |
| 35L | 900 | | 31806 | 31651 | 31062 | 29502 | 31360 | 29795 | 31519 | 31863 | 30811 | 31993 | 252 |
| 40L | 1050 | | 37835 | 37651 | 36951 | 35331 | 37304 | 35682 | 37494 | 37903 | 36652 | 38057 | 305 |
| 45L | 1200 | | 41993 | 41788 | 41012 | 38106 | 41404 | 38485 | 41614 | 42069 | 40680 | 42240 | 346 |
| 50L | 1400 | | 47673 | 47441 | 46559 | 42713 | 47004 | 43138 | 47243 | 47759 | 46183 | 47953 | 397 |
| 55L | 1050 | 128AR BLX-II-4 | 48977 | 48738 | 47832 | 47107 | 48290 | 47577 | 48535 | 49065 | 47446 | 49265 | 407 |
| 60L | 1200 | | 55896 | 55623 | 54590 | 50808 | 55112 | 51314 | 55392 | 55996 | 54149 | 56225 | 456 |
| 65L | 1300 | | 59695 | 59404 | 58300 | 53879 | 58858 | 54415 | 59157 | 59803 | 57829 | 60046 | 498 |
| 70L | 1400 | 192AR BLX-II-6 | 63495 | 63185 | 62011 | 56950 | 62604 | 57517 | 62922 | 63609 | 61510 | 63868 | 541 |
| 80L | 1000 | | 66978 | 66651 | 65413 | 59004 | 66039 | 59591 | 66374 | 67098 | 64884 | 67372 | 508 |
| 90L | 1100 | | 84116 | 83706 | 82150 | 73436 | 82936 | 74168 | 83357 | 84267 | 81486 | 84610 | 653 |
| 100L | 1300 | 256AR BLX-II-8 | 95189 | 94725 | 92965 | 80819 | 93854 | 81623 | 94331 | 95360 | 92213 | 95748 | 743 |
| 110L | 1400 | | 100910 | 100419 | 98553 | 85426 | 99495 | 86275 | 100001 | 101092 | 97756 | 101504 | 793 |
| 120L | 1100 | | 110628 | 110089 | 108043 | 97915 | 109077 | 98890 | 109631 | 110827 | 107170 | 111279 | 861 |
| 130L | 1200 | 256AR BLX-II-8 | 117112 | 116541 | 114376 | 101615 | 115470 | 102627 | 116056 | 117323 | 113451 | 117801 | 905 |
| 145L | 1400 | | 133266 | 132616 | 129400 | 113902 | 130638 | 115034 | 131302 | 132734 | 129100 | 134049 | 1102 |
| BLX II 4K LUMEN DATA | | | | | | | | | | | | | |
| 20L | 530 | 96AR BLX-II-3 | 21956 | 21849 | 21443 | 20426 | 21648 | 20629 | 21758 | 21995 | 21270 | 22085 | 149 |
| 25L | 600 | | 25251 | 25127 | 24661 | 23321 | 24896 | 23553 | 25023 | 25296 | 24461 | 25399 | 174 |
| 30L | 700 | | 28545 | 28406 | 27878 | 26216 | 28145 | 26477 | 28288 | 28596 | 27653 | 28713 | 200 |
| 35L | 900 | | 35222 | 35050 | 34399 | 32761 | 34728 | 32996 | 34905 | 35285 | 34121 | 35429 | 252 |
| 40L | 1050 | | 41899 | 41695 | 40920 | 39126 | 41312 | 39515 | 41522 | 41975 | 40590 | 42146 | 305 |
| 45L | 1200 | | 46504 | 46277 | 45417 | 42200 | 45852 | 42619 | 46085 | 46588 | 45050 | 46777 | 346 |
| 50L | 1400 | | 52794 | 52537 | 51560 | 47301 | 52054 | 47771 | 52318 | 52889 | 51144 | 53104 | 397 |
| 55L | 1050 | 128AR BLX-II-4 | 54238 | 53973 | 52970 | 52168 | 53477 | 52687 | 53749 | 54335 | 52542 | 54557 | 407 |
| 60L | 1200 | | 61900 | 61598 | 60454 | 56265 | 61032 | 56826 | 61342 | 62012 | 59965 | 62264 | 456 |
| 65L | 1300 | | 66108 | 65785 | 64563 | 59667 | 65181 | 60261 | 65512 | 66227 | 64041 | 66496 | 498 |
| 70L | 1400 | 192AR BLX-II-6 | 70315 | 69973 | 68672 | 63068 | 69329 | 63695 | 69681 | 70442 | 68117 | 70729 | 541 |
| 80L | 1000 | | 74173 | 73811 | 72440 | 65342 | 73132 | 65992 | 73504 | 74306 | 71854 | 74609 | 508 |
| 90L | 1100 | | 93151 | 92697 | 90975 | 81325 | 91845 | 82135 | 92312 | 93319 | 90240 | 93699 | 653 |
| 100L | 1300 | 256AR BLX-II-8 | 105414 | 104900 | 102951 | 89500 | 103936 | 90391 | 104464 | 105604 | 102119 | 106034 | 743 |
| 110L | 1400 | | 111750 | 111206 | 109139 | 94602 | 110183 | 95543 | 110743 | 111951 | 108257 | 112407 | 793 |
| 120L | 1100 | | 129692 | 129060 | 126662 | 108433 | 127873 | 109513 | 128523 | 129925 | 125638 | 130455 | 905 |
| 130L | 1200 | 256AR BLX-II-8 | 122512 | 121915 | 119649 | 112531 | 120794 | 113652 | 121407 | 122732 | 118682 | 123232 | 861 |
| 145L | 1400 | | 147581 | 146862 | 143300 | 126137 | 144671 | 127391 | 145406 | 146992 | 142968 | 148449 | 1102 |

Visit www.visionairelighting.com for up-to-the-minute chart information, including types not listed here.

*For 5K multiply 4K values by 1.0

BLX-II ARRAY ROADWAY LED Specifications

| BLX-II ARRAY ROADWAY 3K LPW DATA - Chart updated 08.30.19 | | | | | | | | | | | | | |
|--|---------|--------|-----|-----|-----|-----|-----|-----|-----|------|------|------|-------|
| Lumens | Current | # LEDs | T1 | T2 | T3 | T3L | T4 | T4L | T4A | T5SR | T5LR | T5LS | Watts |
| 20L | 530 | 96AR | 133 | 133 | 130 | 132 | 131 | 133 | 132 | 134 | 129 | 134 | 149 |
| 25L | 600 | | 136 | 135 | 133 | 133 | 134 | 135 | 135 | 136 | 131 | 137 | 168 |
| 30L | 700 | | 129 | 129 | 126 | 128 | 127 | 129 | 128 | 129 | 125 | 130 | 200 |
| 35L | 900 | | 122 | 122 | 119 | 127 | 121 | 129 | 121 | 123 | 119 | 123 | 260 |
| 40L | 1050 | | 124 | 123 | 121 | 122 | 122 | 124 | 123 | 124 | 120 | 125 | 305 |
| 45L | 1200 | | 122 | 121 | 119 | 120 | 120 | 122 | 120 | 122 | 118 | 122 | 346 |
| 50L | 1400 | | 120 | 120 | 117 | 119 | 118 | 120 | 119 | 120 | 116 | 121 | 397 |
| 55L | 1050 | 128AR | 120 | 120 | 118 | 119 | 119 | 121 | 119 | 121 | 117 | 121 | 407 |
| 60L | 1200 | | 123 | 122 | 120 | 121 | 121 | 123 | 121 | 123 | 119 | 123 | 456 |
| 65L | 1300 | | 121 | 120 | 118 | 120 | 119 | 122 | 120 | 121 | 117 | 121 | 495 |
| 70L | 1400 | | 117 | 117 | 115 | 116 | 116 | 118 | 116 | 118 | 114 | 118 | 541 |
| 80L | 1000 | 192AR | 115 | 115 | 113 | 124 | 114 | 126 | 114 | 116 | 112 | 116 | 580 |
| 90L | 1100 | | 135 | 134 | 131 | 127 | 133 | 128 | 133 | 135 | 130 | 135 | 625 |
| 100L | 1300 | | 128 | 127 | 125 | 123 | 126 | 125 | 127 | 128 | 124 | 129 | 745 |
| 110L | 1400 | | 127 | 127 | 124 | 126 | 125 | 127 | 126 | 127 | 123 | 128 | 793 |
| 120L | 1100 | 256AR | 127 | 127 | 124 | 125 | 126 | 127 | 126 | 128 | 123 | 128 | 868 |
| 130L | 1200 | | 129 | 129 | 126 | 128 | 128 | 129 | 128 | 130 | 125 | 130 | 905 |
| 145L | 1400 | | 121 | 120 | 117 | 119 | 119 | 121 | 119 | 120 | 117 | 122 | 1102 |
| BLX-II ARRAY ROADWAY 4K and 5K LPW DATA - Chart updated 08.30.19 | | | | | | | | | | | | | |
| Lumens | Current | # LEDs | T1 | T2 | T3 | T3L | T4 | T4L | T4A | T5SR | T5LR | T5LS | Watts |
| 20L | 530 | 96AR | 148 | 147 | 144 | 146 | 146 | 148 | 146 | 148 | 143 | 149 | 149 |
| 25L | 600 | | 150 | 150 | 147 | 148 | 148 | 150 | 149 | 151 | 146 | 151 | 168 |
| 30L | 700 | | 143 | 142 | 140 | 141 | 141 | 143 | 142 | 143 | 139 | 144 | 200 |
| 35L | 900 | | 135 | 135 | 132 | 141 | 134 | 143 | 134 | 136 | 131 | 136 | 260 |
| 40L | 1050 | | 137 | 137 | 134 | 135 | 135 | 137 | 136 | 137 | 133 | 138 | 305 |
| 45L | 1200 | | 135 | 134 | 131 | 133 | 133 | 135 | 133 | 135 | 130 | 135 | 346 |
| 50L | 1400 | | 133 | 132 | 130 | 131 | 131 | 133 | 132 | 133 | 129 | 134 | 397 |
| 55L | 1050 | 128AR | 133 | 133 | 130 | 132 | 131 | 133 | 132 | 134 | 129 | 134 | 407 |
| 60L | 1200 | | 136 | 135 | 133 | 134 | 134 | 136 | 134 | 136 | 131 | 137 | 456 |
| 65L | 1300 | | 134 | 133 | 130 | 133 | 132 | 135 | 132 | 134 | 129 | 134 | 495 |
| 70L | 1400 | | 130 | 129 | 127 | 128 | 128 | 130 | 129 | 130 | 126 | 131 | 541 |
| 80L | 1000 | 192AR | 128 | 127 | 125 | 137 | 126 | 139 | 127 | 128 | 124 | 129 | 580 |
| 90L | 1100 | | 149 | 148 | 146 | 140 | 147 | 142 | 148 | 149 | 144 | 150 | 625 |
| 100L | 1300 | | 141 | 141 | 138 | 136 | 140 | 138 | 140 | 142 | 137 | 142 | 745 |
| 110L | 1400 | | 141 | 140 | 138 | 139 | 139 | 141 | 140 | 141 | 136 | 142 | 793 |
| 120L | 1100 | 256AR | 149 | 149 | 146 | 139 | 147 | 141 | 148 | 150 | 145 | 150 | 868 |
| 130L | 1200 | | 135 | 135 | 132 | 141 | 133 | 143 | 134 | 136 | 131 | 136 | 905 |
| 145L | 1400 | | 134 | 133 | 130 | 132 | 131 | 134 | 132 | 133 | 130 | 135 | 1102 |

Visit www.visionairelighting.com for up-to-the-minute chart information, including types not listed here.

LED Specifications **BLX-II ARRAY ROADWAY**

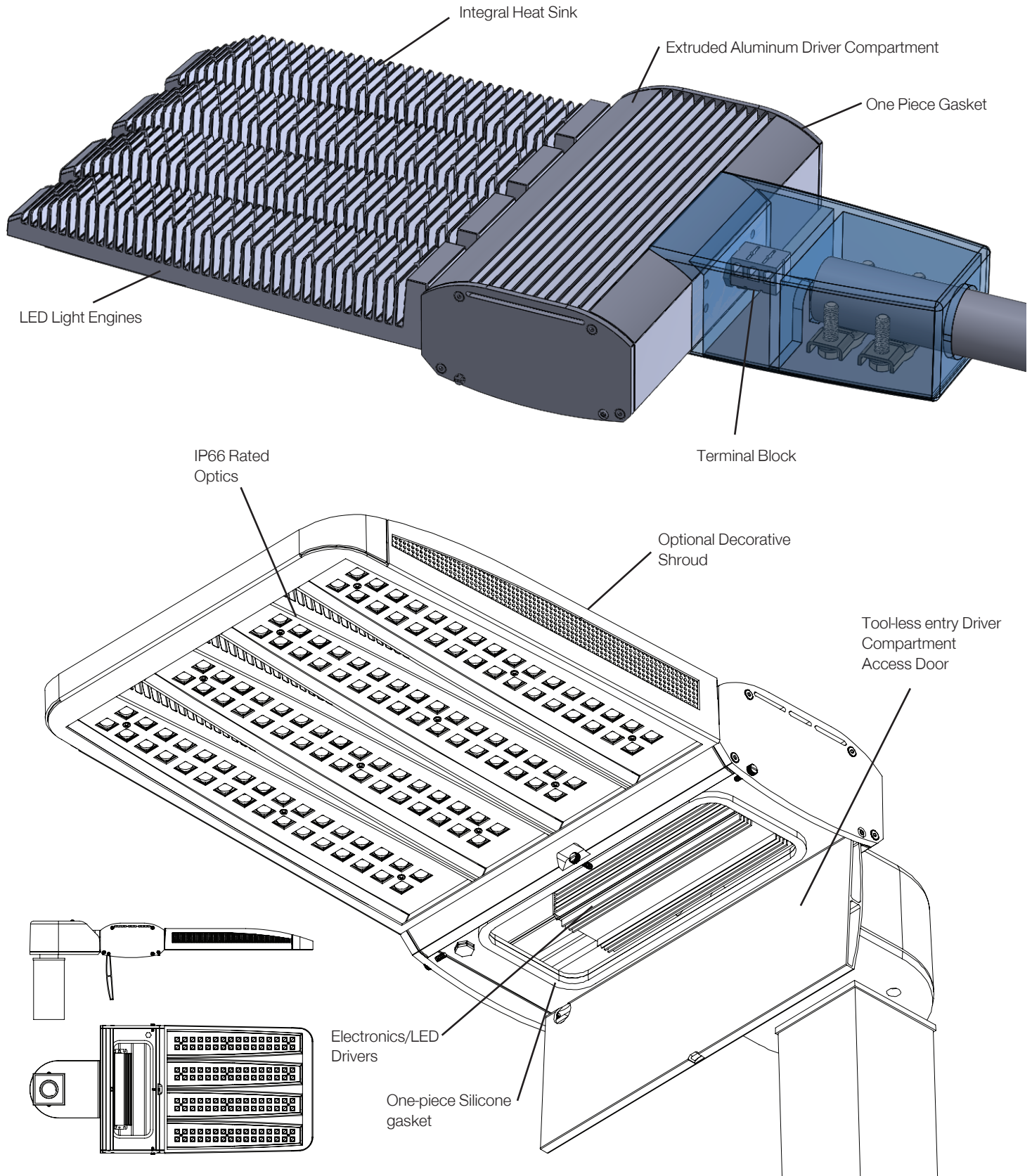
| BLX-II ARRAY ROADWAY 3K BUG DATA - Chart updated 08.30.19 | | | | | | | | | | | | | | | | | | | | | | | | | | | | | | | | | |
|---|---------|--------|----|---|---|----|---|---|----|---|---|-----|---|---|----|---|---|-----|---|---|-----|---|---|------|---|---|------|---|---|------|---|---|-------|
| Lumens | Current | # LEDs | T1 | | | T2 | | | T3 | | | T3L | | | T4 | | | T4L | | | T4A | | | T5SR | | | T5LR | | | T5LS | | | Watts |
| | | | B | U | G | B | U | G | B | U | G | B | U | G | B | U | G | B | U | G | B | U | G | B | U | G | B | U | G | B | U | G | |
| 20L | 530 | 96AR | 4 | 0 | 4 | 3 | 0 | 3 | 3 | 0 | 3 | 3 | 0 | 3 | 3 | 0 | 3 | 3 | 0 | 3 | 4 | 0 | 2 | 4 | 0 | 3 | 5 | 0 | 3 | 149 | | | |
| 25L | 600 | | 4 | 0 | 4 | 3 | 0 | 3 | 3 | 0 | 3 | 4 | 0 | 4 | 3 | 0 | 4 | 3 | 0 | 3 | 4 | 0 | 2 | 5 | 0 | 3 | 5 | 0 | 3 | 168 | | | |
| 30L | 700 | | 5 | 0 | 5 | 3 | 0 | 3 | 3 | 0 | 4 | 4 | 0 | 4 | 3 | 0 | 4 | 4 | 0 | 4 | 3 | 0 | 3 | 4 | 0 | 2 | 5 | 0 | 4 | 5 | 0 | 3 | 200 |
| 35L | 900 | | 5 | 0 | 5 | 4 | 0 | 4 | 3 | 0 | 4 | 4 | 0 | 5 | 4 | 0 | 4 | 4 | 0 | 5 | 4 | 0 | 3 | 5 | 0 | 3 | 5 | 0 | 4 | 5 | 0 | 4 | 260 |
| 40L | 1050 | | 5 | 0 | 5 | 4 | 0 | 4 | 4 | 0 | 4 | 4 | 0 | 5 | 4 | 0 | 5 | 4 | 0 | 5 | 4 | 0 | 4 | 5 | 0 | 3 | 5 | 0 | 5 | 5 | 0 | 4 | 305 |
| 45L | 1200 | | 5 | 0 | 5 | 4 | 0 | 4 | 4 | 0 | 5 | 5 | 0 | 5 | 4 | 0 | 5 | 4 | 0 | 5 | 4 | 0 | 4 | 5 | 0 | 4 | 5 | 0 | 5 | 5 | 0 | 4 | 346 |
| 50L | 1400 | | 5 | 0 | 5 | 4 | 0 | 4 | 4 | 0 | 5 | 5 | 0 | 5 | 4 | 0 | 5 | 5 | 0 | 5 | 4 | 0 | 4 | 5 | 0 | 4 | 5 | 0 | 5 | 5 | 0 | 5 | 397 |
| 55L | 1050 | 128AR | 5 | 0 | 5 | 4 | 0 | 4 | 4 | 0 | 5 | 5 | 0 | 5 | 4 | 0 | 5 | 5 | 0 | 5 | 4 | 0 | 4 | 5 | 0 | 4 | 5 | 0 | 5 | 5 | 0 | 5 | 407 |
| 60L | 1200 | | 5 | 0 | 5 | 5 | 0 | 5 | 4 | 0 | 5 | 5 | 0 | 5 | 5 | 0 | 5 | 5 | 0 | 5 | 5 | 0 | 4 | 5 | 0 | 4 | 5 | 0 | 5 | 5 | 0 | 5 | 456 |
| 65L | 1300 | | 5 | 0 | 5 | 5 | 0 | 5 | 5 | 0 | 5 | 5 | 0 | 5 | 5 | 0 | 5 | 5 | 0 | 5 | 5 | 0 | 4 | 5 | 0 | 4 | 5 | 0 | 5 | 5 | 0 | 5 | 495 |
| 70L | 1400 | | 5 | 0 | 5 | 5 | 0 | 5 | 5 | 0 | 5 | 5 | 0 | 5 | 5 | 0 | 5 | 5 | 0 | 5 | 5 | 0 | 4 | 5 | 0 | 5 | 5 | 0 | 5 | 5 | 0 | 5 | 541 |
| 80L | 1000 | 192AR | 5 | 0 | 5 | 5 | 0 | 5 | 5 | 0 | 5 | 5 | 0 | 5 | 5 | 0 | 5 | 5 | 0 | 5 | 5 | 0 | 4 | 5 | 0 | 5 | 5 | 0 | 5 | 5 | 0 | 5 | 580 |
| 90L | 1100 | | 5 | 0 | 5 | 5 | 0 | 5 | 5 | 0 | 5 | 5 | 0 | 5 | 5 | 0 | 5 | 5 | 0 | 5 | 5 | 0 | 5 | 5 | 0 | 5 | 5 | 0 | 5 | 5 | 0 | 5 | 625 |
| 100L | 1300 | | 5 | 0 | 5 | 5 | 0 | 5 | 5 | 0 | 5 | 5 | 0 | 5 | 5 | 0 | 5 | 5 | 0 | 5 | 5 | 0 | 5 | 5 | 0 | 5 | 5 | 0 | 5 | 5 | 0 | 5 | 745 |
| 110L | 1400 | | 5 | 0 | 5 | 5 | 0 | 5 | 5 | 0 | 5 | 5 | 0 | 5 | 5 | 0 | 5 | 5 | 0 | 5 | 5 | 0 | 5 | 5 | 0 | 5 | 5 | 0 | 5 | 5 | 0 | 5 | 793 |
| 120L | 1100 | 256AR | 5 | 0 | 5 | 5 | 0 | 5 | 5 | 0 | 5 | 5 | 0 | 5 | 5 | 0 | 5 | 5 | 0 | 5 | 5 | 0 | 5 | 5 | 0 | 5 | 5 | 0 | 5 | 5 | 0 | 5 | 868 |
| 130L | 1200 | | 5 | 0 | 5 | 5 | 0 | 5 | 5 | 0 | 5 | 5 | 0 | 5 | 5 | 0 | 5 | 5 | 0 | 5 | 5 | 0 | 5 | 5 | 0 | 5 | 5 | 0 | 5 | 5 | 0 | 5 | 905 |
| 145L | 1400 | | 5 | 0 | 5 | 5 | 0 | 5 | 5 | 0 | 5 | 5 | 0 | 5 | 5 | 0 | 5 | 5 | 0 | 5 | 5 | 0 | 5 | 5 | 0 | 5 | 5 | 0 | 5 | 5 | 0 | 5 | 1102 |

| BLX-II ARRAY ROADWAY 4K and 5K BUG DATA - Chart updated 08.30.19 | | | | | | | | | | | | | | | | | | | | | | | | | | | | | | | | | |
|--|---------|--------|----|---|---|----|---|---|----|---|---|-----|---|---|----|---|---|-----|---|---|-----|---|---|------|---|---|------|---|---|------|---|---|-------|
| Lumens | Current | # LEDs | T1 | | | T2 | | | T3 | | | T3L | | | T4 | | | T4L | | | T4A | | | T5SR | | | T5LR | | | T5LS | | | Watts |
| | | | B | U | G | B | U | G | B | U | G | B | U | G | B | U | G | B | U | G | B | U | G | B | U | G | B | U | G | B | U | G | |
| 20L | 530 | 96AR | 4 | 0 | 4 | 3 | 0 | 3 | 3 | 0 | 3 | 4 | 0 | 4 | 3 | 0 | 3 | 3 | 0 | 4 | 3 | 0 | 3 | 4 | 0 | 2 | 5 | 0 | 3 | 5 | 0 | 3 | 149 |
| 25L | 600 | | 5 | 0 | 5 | 3 | 0 | 3 | 3 | 0 | 4 | 4 | 0 | 4 | 3 | 0 | 4 | 4 | 0 | 4 | 3 | 0 | 3 | 4 | 0 | 2 | 5 | 0 | 4 | 5 | 0 | 3 | 168 |
| 30L | 700 | | 5 | 0 | 5 | 4 | 0 | 4 | 3 | 0 | 4 | 4 | 0 | 4 | 3 | 0 | 4 | 4 | 0 | 4 | 3 | 0 | 3 | 5 | 0 | 3 | 5 | 0 | 4 | 5 | 0 | 4 | 200 |
| 35L | 900 | | 5 | 0 | 5 | 4 | 0 | 4 | 4 | 0 | 4 | 4 | 0 | 5 | 4 | 0 | 5 | 4 | 0 | 5 | 4 | 0 | 4 | 5 | 0 | 3 | 5 | 0 | 4 | 5 | 0 | 4 | 260 |
| 40L | 1050 | | 5 | 0 | 5 | 4 | 0 | 4 | 4 | 0 | 5 | 5 | 0 | 5 | 4 | 0 | 5 | 4 | 0 | 5 | 4 | 0 | 4 | 5 | 0 | 4 | 5 | 0 | 5 | 5 | 0 | 4 | 305 |
| 45L | 1200 | | 5 | 0 | 5 | 4 | 0 | 4 | 4 | 0 | 5 | 5 | 0 | 5 | 4 | 0 | 5 | 4 | 0 | 5 | 4 | 0 | 4 | 5 | 0 | 4 | 5 | 0 | 5 | 5 | 0 | 5 | 346 |
| 50L | 1400 | | 5 | 0 | 5 | 5 | 0 | 4 | 4 | 0 | 5 | 5 | 0 | 5 | 5 | 0 | 5 | 5 | 0 | 5 | 5 | 0 | 4 | 5 | 0 | 4 | 5 | 0 | 5 | 5 | 0 | 5 | 397 |
| 55L | 1050 | 128AR | 5 | 0 | 5 | 5 | 0 | 5 | 4 | 0 | 5 | 5 | 0 | 5 | 5 | 0 | 5 | 5 | 0 | 5 | 5 | 0 | 4 | 5 | 0 | 4 | 5 | 0 | 5 | 5 | 0 | 5 | 407 |
| 60L | 1200 | | 5 | 0 | 5 | 5 | 0 | 5 | 5 | 0 | 5 | 5 | 0 | 5 | 5 | 0 | 5 | 5 | 0 | 5 | 5 | 0 | 4 | 5 | 0 | 4 | 5 | 0 | 5 | 5 | 0 | 5 | 456 |
| 65L | 1300 | | 5 | 0 | 5 | 5 | 0 | 5 | 5 | 0 | 5 | 5 | 0 | 5 | 5 | 0 | 5 | 5 | 0 | 5 | 5 | 0 | 4 | 5 | 0 | 5 | 5 | 0 | 5 | 5 | 0 | 5 | 495 |
| 70L | 1400 | | 5 | 0 | 5 | 5 | 0 | 5 | 5 | 0 | 5 | 5 | 0 | 5 | 5 | 0 | 5 | 5 | 0 | 5 | 5 | 0 | 5 | 5 | 0 | 5 | 5 | 0 | 5 | 5 | 0 | 5 | 541 |
| 80L | 1000 | 192AR | 5 | 0 | 5 | 5 | 0 | 5 | 5 | 0 | 5 | 5 | 0 | 5 | 5 | 0 | 5 | 5 | 0 | 5 | 5 | 0 | 5 | 5 | 0 | 5 | 5 | 0 | 5 | 5 | 0 | 5 | 580 |
| 90L | 1100 | | 5 | 0 | 5 | 5 | 0 | 5 | 5 | 0 | 5 | 5 | 0 | 5 | 5 | 0 | 5 | 5 | 0 | 5 | 5 | 0 | 5 | 5 | 0 | 5 | 5 | 0 | 5 | 5 | 0 | 5 | 625 |
| 100L | 1300 | | 5 | 0 | 5 | 5 | 0 | 5 | 5 | 0 | 5 | 5 | 0 | 5 | 5 | 0 | 5 | 5 | 0 | 5 | 5 | 0 | 5 | 5 | 0 | 5 | 5 | 0 | 5 | 5 | 0 | 5 | 745 |
| 110L | 1400 | | 5 | 0 | 5 | 5 | 0 | 5 | 5 | 0 | 5 | 5 | 0 | 5 | 5 | 0 | 5 | 5 | 0 | 5 | 5 | 0 | 5 | 5 | 0 | 5 | 5 | 0 | 5 | 5 | 0 | 5 | 793 |
| 120L | 1100 | 256AR | 5 | 0 | 5 | 5 | 0 | 5 | 5 | 0 | 5 | 5 | 0 | 5 | 5 | 0 | 5 | 5 | 0 | 5 | 5 | 0 | 5 | 5 | 0 | 5 | 5 | 0 | 5 | 5 | 0 | 5 | 868 |
| 130L | 1200 | | 5 | 0 | 5 | 5 | 0 | 5 | 5 | 0 | 5 | 5 | 0 | 5 | 5 | 0 | 5 | 5 | 0 | 5 | 5 | 0 | 5 | 5 | 0 | 5 | 5 | 0 | 5 | 5 | 0 | 5 | 905 |
| 145L | 1400 | | 5 | 0 | 5 | 5 | 0 | 5 | 5 | 0 | 5 | 5 | 0 | 5 | 5 | 0 | 5 | 5 | 0 | 5 | 5 | 0 | 5 | 5 | 0 | 5 | 5 | 0 | 5 | 5 | 0 | 5 | 1102 |

Visit www.visionairelighting.com for up-to-the-minute chart information, including types not listed here.

BLX-II ARRAY ROADWAY LED Specifications

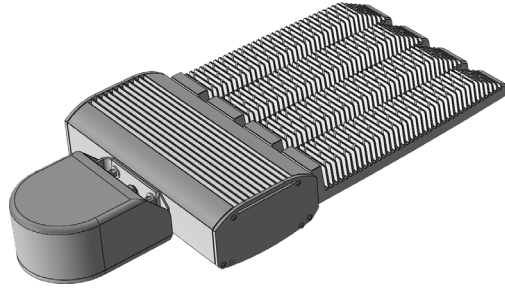
BLX Features



LED Specifications **BLX-II ARRAY ROADWAY**

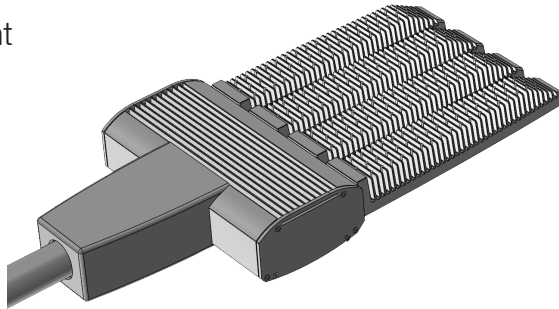
BLX-II Mounting Options

Post Top Mount



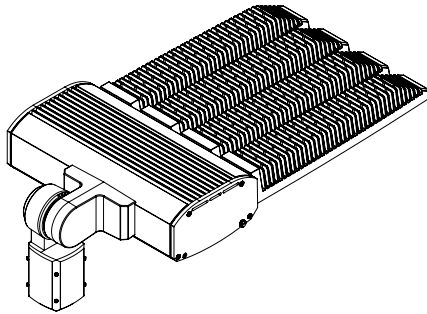
Post Top fits over a 2" - 2-3/8" tenon and is adjustable up to 45 degrees.

Mast Arm Mount



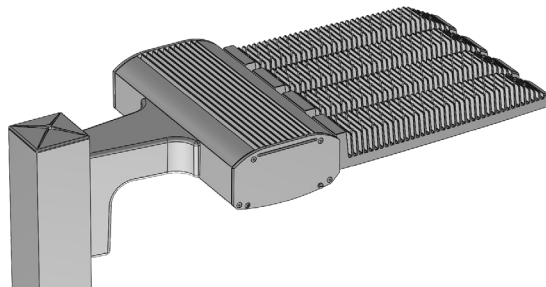
Mast Arm Fitter fits over a 2" - 2-3/8" tenon.

Knuckle Mount



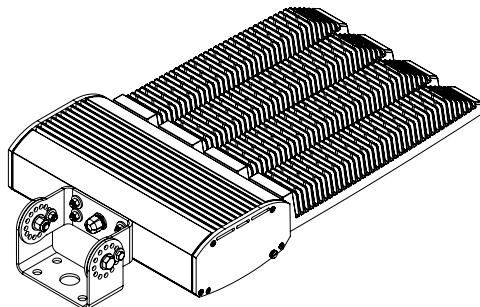
An adjustable knuckle slip fits over a 2-3/8" Tenon, and allows for up to 50 degrees of vertical adjustment in 10 degree increments from horizontal, as well as full side to side adjustment with the knuckle mount.

Bolt-On Arm



The Bolt -On Arm (BOA) utilizes a 2 piece cleat system for easy installation. A Round Pole Plate Adaptor (RPP) is required for mounting to round poles.

Trunnion Mount



Trunnion Mount is adjustable up to 50 degrees.