

PRE-2-M Serenity Lens LED Specifications



Project Name:

Catalog Number:

Type:

Contemporary design meets the new generation of LED green technology in this stunning luminaire, the **PRE-2-M Serenity Lens**. The PRE-2-M Serenity Lens Array series provides up to fifty percent energy savings over traditional HID light sources; and offers excellent beam control and LED life beyond 100,000 hours. The PRE-2-M Array is offered in five optical distributions.

The PRE-2-M Serenity Lens Arrays fully-sealed housing features an exceptionally well-designed thermal management system that provides superior heat dissipation.

The PRE-2-M Serenity Lens fixture is built with a cast aluminum housing, extruded aluminum arms and a spun aluminum, removable top.

The popular **PRE-2-M Serenity Lens** is the perfect compliment to any university campus, business park, or walkway project where contemporary, architectural design is desired.

Ordering Information

MODEL	OPTICS	LUMENS	KELVIN	VOLTAGE	MOUNTING	FINISH	SERENITY LENS	OPTIONS	OPTIONS
PRE-2-M	T1 T2 T3L T4L T5LS	2L 4L 6L 8L	3K 3000K 4K 4000K 5K 5000K	UNV 120-277V 8 347V 5 480V	PT Post Top *Slips over 3" OD tenon X 4.5" tall as standard	BZ Bronze BK Black SBK Smooth Black WH White SWH Smooth White GP Graphite GY Grey SL Silver Metallic CC Custom Color	LDL Lightly Diffused Lens HDL Highly Diffused Lens	PC-120 PC-208 PC-240 PC-277 Button Type Photocell WSC-8 Motion Sensor 8' Mounting Height WSC-20 Motion Sensor 9-20' Mounting Height WSC-40 Motion Sensor 21-40' Mounting Height the WSC option will require (1) FSIR 100 remote for programming	DIM 0-10v Dimming Driver VWC Visionaire Wireless Controls *Consult Factory IR-(R, B, G) Illuminated Rings (Red, Blue, Green) PER 3, 5, or 7 Pin Photo Receptacle w/shorting cap

Features & Specifications

PRE-2-M Serenity Lens

Housing

The PRE-2-M Serenity Lens' housing is constructed from durable, corrosion-resistant, cast aluminum. The spun aluminum top cap is .080 gauge, and easily removable for service. Silicone gasketing is provided for complete weather and insect protection.

Thermal Management

The PRE-2-M Serenity Lens provides excellent overall thermal management by maximizing the efficiency of the heat sink in the fixture. This enables the PRE-2-M Serenity Lens to withstand higher ambient temperatures and higher drive currents without degrading LED life.

Optical System

- The highest lumen output LEDs are utilized. High-performance acrylic optics feature industry leading Type 1, 2, 3L, 4L, and 5LS optical distributions. Acrylic optics are impact-resistant and rated to 94 percent translucence.
- L70 life of our LEDs is rated over 100,000 hours (for 350 mA), The optical system qualifies as IES full cutoff to restrict light trespass, glare and light pollution for neighborhood-friendly lighting. CRI values are 70.

Quali-Guard® Finish

- Fixture components are chemically pretreated through a multiple-stage washer, and finished with an electrostatically-applied, thermoset polyester powder coat textured paint with a 3 to 5 mils thickness.
- Finish is oven-baked at 400 °F for maximum adherence and finish hardness.
 - Available in standard and custom colors.
 - Finish is guaranteed for five (5) years.

Post Top Mount

The PRE-2-M Serenity Lens contractor-friendly mounting hardware slips over 3" OD tenon X 4.5" tall as standard utilizing stainless steel hardware.

Electrical Assembly

- The PRE-2-M Serenity Lens is supplied with a high-performance driver available in 350, 530 or 700. The driver is integrally-located in the housing, and is operational from 120 V through 480 V, 50 Hz to 60 Hz input.
- Power factor is 90%.
- Rated for -40o to 50° C operation.
- 10 kV surge protector supplied as standard.

Warranty

Five (5) year Limited Warranty on entire system, including finish. For full warranty information, please visit www.visionairelighting.com.

Options

- Button type photocell
 - 0-10v Dimming Driver
 - WattStopper FSP-211
 - Motion Sensor
 - Wireless Control
 - Illuminated Rings
 - Photo Receptacle
- Please consult factory for detailed custom options.

Listings

- PRE-2-M Serenity Lens is cUL listed
- DLC Listed
- IDA Certification
- IP66 Rated
- LM79 and LM80
- Powder Coated Tough™

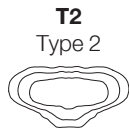
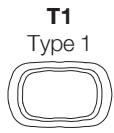


DesignLights Consortium (DLC) qualified Product. Some configurations of this product family may not be DesignLights Consortium (DLC) listed, please refer to the DLC qualified products list to confirm listed configurations. <http://www.designlights.org/>
3000K must be selected for IDA certification.

PRE-2-M Serenity Lens - Electrical Load (A)							
Ordering Nomenclature	System Watts	120V	208V	240V	277V	347V	480V
PRE-2-M-T5LS-2L	22	0.18	0.11	0.09	0.08	0.06	0.05
PRE-2-M-T5LS-4L	43	0.36	0.21	0.18	0.16	0.12	0.09
PRE-2-M-T5LS-6L	70	0.58	0.34	0.29	0.25	0.20	0.15
PRE-2-M-T5LS-8L	97	0.81	0.47	0.40	0.35	0.28	0.20

PRE-2-M Serenity Lens LED Specifications

Photometric Optical Summary

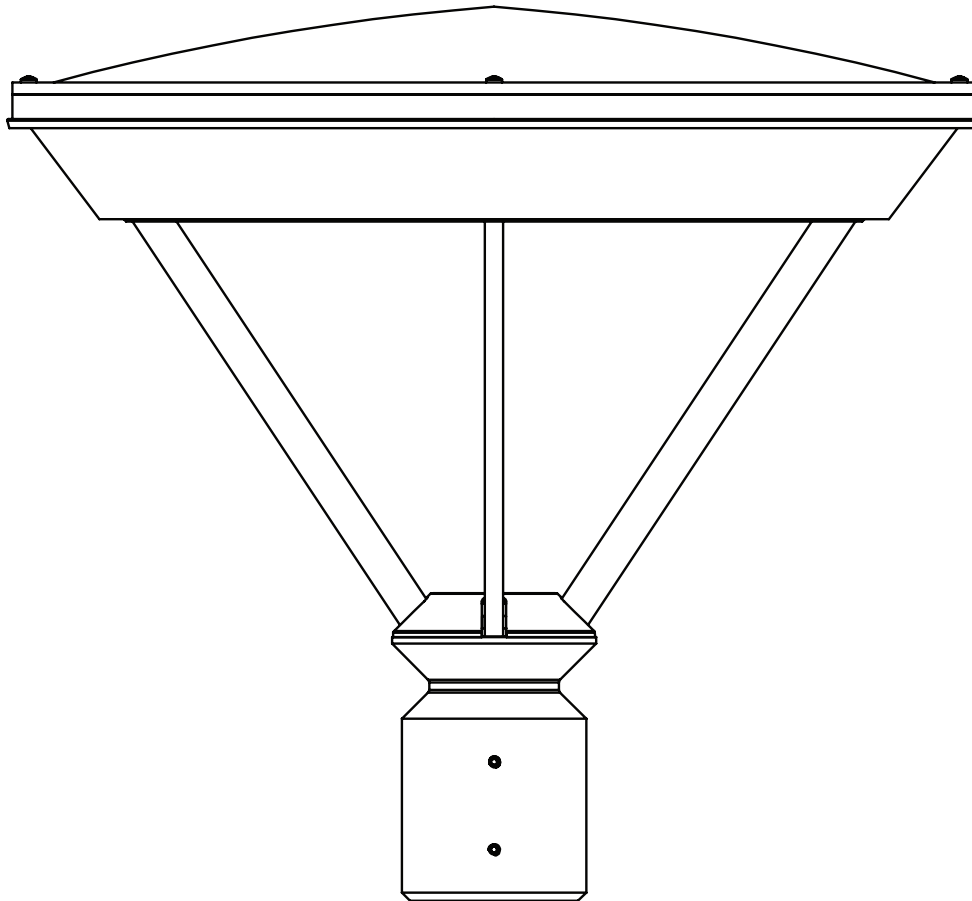


EPA Data


.88

Dimensions

Width:	PRE-2-M 20"
Height:	PRE-2-M 18.4"
Weight:	37 LBS



Motion Sensor Default Setting									
Type	High Mode	Low Mode	Time Delay	Cut off Delay	Sensitivity	Hold Off Set Point	Photocell On/Off	Ramp up Time	Fade Down Time
WSC- Default	10V	1V	5 Min	1 Hour	Max	Disabled	Disabled	Disabled	Disabled
WSC Range	0-10V	0-9.8V	5-30 Min	1-5 Hours	Low, Med, Max	1-250FC	1-250FC	1-60 Dec	1-60 Dec



LED Specifications **PRE-2-M Serenity Lens**

Premier-2-M Serenity Lens - LDL 3K Lumen Data																	
Current	Lumens	T1	T2	T3L	T4L	T5LS	Watts										
150	2L	2012	2041	1849	1758	1655	22										
300	4L	4024	4081	3698	3516	3310	43										
500	6L	6611	6704	6075	5776	5437	70										
700	8L	9051	9179	8318	7909	7444	97										
Premier-2-M Serenity Lens - LDL 4K Lumen Data																	
Current	Lumens	T1	T2	T3L	T4L	T5LS	Watts										
150	2L	2169	2200	1993	1895	1784	22										
300	4L	4338	4399	3986	3790	3568	43										
500	6L	7126	7227	6548	6227	5861	70										
700	8L	9757	9895	8966	8525	8025	97										
Premier-2-M Serenity Lens - LDL 5K Lumen Data																	
Current	Lumens	T1	T2	T3L	T4L	T5LS	Watts										
150	2L	2057	2086	1891	1798	1692	22										
300	4L	4115	4173	3781	3595	3384	43										
500	6L	6759	6855	6211	5906	5559	70										
700	8L	9255	9385	8505	8087	7612	97										
Premier-2-M Serenity Lens - LDL 3K Lumen Per Watt Data																	
Current	Lumens	T1	T2	T3L	T4L	T5LS	Watts										
150	2L	91	93	84	80	75	22										
300	4L	94	95	86	82	77	43										
500	6L	95	96	87	83	78	70										
700	8L	93	95	86	82	77	97										
Premier-2-M Serenity Lens - LDL 4K Lumen Per Watt Data																	
Current	Lumens	T1	T2	T3L	T4L	T5LS	Watts										
150	2L	99	100	91	86	81	22										
300	4L	101	102	93	88	83	43										
500	6L	102	104	94	89	84	70										
700	8L	101	102	93	88	83	97										
Premier-2-M Serenity Lens - LDL 5K Lumen Per Watt Data																	
Current	Lumens	T1	T2	T3L	T4L	T5LS	Watts										
150	2L	94	95	86	82	77	22										
300	4L	96	97	88	84	79	43										
500	6L	97	98	89	85	80	70										
700	8L	96	97	88	83	79	97										
Premier-2-M Serenity Lens - LDL 3K BUG Data																	
Current	Lumens	T1			T2			T3L			T4L			T5LS			Watts
		B	U	G	B	U	G	B	U	G	B	U	G	B	U	G	
150	2L	1	0	1	1	0	1	1	0	1	1	0	1	1	0	1	22
300	4L	2	0	1	1	0	1	1	0	1	1	0	1	1	0	1	43
500	6L	2	0	2	2	0	2	2	0	1	2	0	1	2	0	1	70
700	8L	3	0	3	2	0	2	2	0	2	2	0	2	2	0	1	97
Premier-2-M Serenity Lens - LDL 4K BUG Data																	
Current	Lumens	T1			T2			T3L			T4L			T5LS			Watts
		B	U	G	B	U	G	B	U	G	B	U	G	B	U	G	
150	2L	1	0	1	1	0	1	1	0	1	1	0	1	1	0	1	22
300	4L	2	0	1	1	0	1	1	0	1	1	0	1	1	0	1	43
500	6L	2	0	2	2	0	2	2	0	2	2	0	2	2	0	1	70
700	8L	3	0	3	2	0	2	2	0	2	2	0	2	2	0	1	97
Premier-2-M Serenity Lens - LDL 5K BUG Data																	
Current	Lumens	T1			T2			T3L			T4L			T5LS			Watts
		B	U	G	B	U	G	B	U	G	B	U	G	B	U	G	
150	2L	1	0	1	1	0	1	1	0	1	1	0	1	1	0	1	22
300	4L	2	0	1	1	0	1	1	0	1	1	0	1	1	0	1	43
500	6L	2	0	2	2	0	2	2	0	2	2	0	1	2	0	1	70
700	8L	3	0	3	2	0	2	2	0	2	2	0	2	2	0	1	97

Premier-2-M Serenity Lens - HDL 3K Lumen Data																	
Current	Lumens	T1	T2	T3L	T4L	T5LS	Watts										
150	2L	1805	1848	1676	1678	1779	22										
300	4L	3611	3696	3352	3356	3558	43										
500	6L	5932	6072	5506	5514	5845	70										
700	8L	8122	8313	7539	7549	8003	97										
Premier-2-M Serenity Lens - HDL 4K Lumen Data																	
Current	Lumens	T1	T2	T3L	T4L	T5LS	Watts										
150	2L	1946	1992	1806	1809	1918	22										
300	4L	3892	3984	3613	3618	3835	43										
500	6L	6394	6545	5935	5943	6301	70										
700	8L	8755	8961	8126	8138	8627	97										
Premier-2-M Serenity Lens - HDL 5K Lumen Data																	
Current	Lumens	T1	T2	T3L	T4L	T5LS	Watts										
150	2L	1846	1890	1714	1716	1819	22										
300	4L	3692	3779	3427	3432	3638	43										
500	6L	6065	6208	5630	5638	5976	70										
700	8L	8304	8500	7708	7719	8183	97										
Premier-2-M Serenity Lens - HDL 3K Lumen Per Watt Data																	
Current	Lumens	T1	T2	T3L	T4L	T5LS	Watts										
150	2L	82	84	76	76	81	22										
300	4L	84	86	78	78	83	43										
500	6L	85	87	79	79	84	70										
700	8L	84	86	78	78	83	97										
Premier-2-M Serenity Lens - HDL 4K Lumen Per Watt Data																	
Current	Lumens	T1	T2	T3L	T4L	T5LS	Watts										
150	2L	88	91	82	82	87	22										
300	4L	91	93	84	84	89	43										
500	6L	92	94	85	85	91	70										
700	8L	90	92	84	84	89	97										
Premier-2-M Serenity Lens - HDL 5K Lumen Per Watt Data																	
Current	Lumens	T1	T2	T3L	T4L	T5LS	Watts										
150	2L	84	86	78	78	83	22										
300	4L	86	88	80	80	85	43										
500	6L	87	89	81	81	86	70										
700	8L	86	88	80	80	84	97										
Premier-2-M Serenity Lens - HDL 3K BUG Data																	
Current	Lumens	T1			T2			T3L			T4L			T5LS			Watts
		B	U	G	B	U	G	B	U	G	B	U	G	B	U	G	
150	2L	1	0	1	1	0	1	1	0	1	1	0	1	1	0	1	22
300	4L	1	0	1	1	0	1	1	0	1	1	0	1	1	0	1	43
500	6L	2	0	1	2	0	1	2	0	1	2	0	1	2	0	1	70
700	8L	2	0	1	2	0	2	2	0	2	2	0	2	2	0	1	97
Premier-2-M Serenity Lens - HDL 4K BUG Data																	
Current	Lumens	T1			T2			T3L			T4L			T5LS			Watts
		B	U	G	B	U	G	B	U	G	B	U	G	B	U	G	
150	2L	1	0	1	1	0	1	1	0	1	1	0	1	1	0	1	22
300	4L	2	0	1	1	0	1	1	0	1	1	0	1	2	0	1	43
500	6L	2	0	1	2	0	2	2	0	1	2	0	1	2	0	1	70
700	8L	3	0	1	3	0	2	2	0	2	2	0	2	2	0	1	97
Premier-2-M Serenity Lens - HDL 5K BUG Data																	
Current	Lumens	T1			T2			T3L			T4L			T5LS			Watts
		B	U	G	B	U	G	B	U	G	B	U	G	B	U	G	
150	2L	1	0	1	1	0	1	1	0	1	1	0	1	1	0	1	22
300	4L	1	0	1	1	0	1	1	0	1	1	0	1	1	0	1	43
500	6L	2	0	1	2	0	1	2	0	1	2	0	1	2	0	1	70
700	8L	3	0	1	2	0	2	2	0	2	2	0	2	2	0	1	97