

BOW ROADWAY FAMILY LED Array Specifications



Project Name: _____

Catalog Number: _____

Type: _____

The BLX-II Array Roadway Series is designed for maximum flexibility while providing major energy and maintenance savings. Separating the extruded aluminum driver housing and the individual linear die-cast aluminum LED engines, optimizes the life of the LEDs and the driver(s), and maximizes the lumen output of the fixture.

Each of the individual LED light engines come with 32 LED Arrays for a max total of 256 LED Arrays.

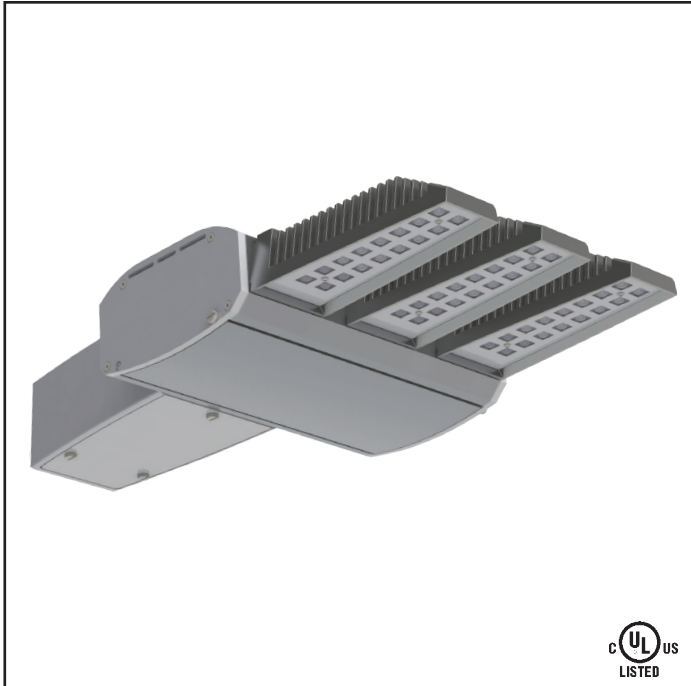
Available in 3000, 4000 or 5000 Kelvin temperature.

The BLX-II Array Roadway is an exceptional choice and the new standard for roadway lighting applications, bringing LED technology with long life and low maintenance.

Ordering Information

MODEL	OPTICS	LUMENS	KELVIN	VOLTAGE	MOUNTING	FINISH	OPTIONS	OPTIONS
BLX-II-3	T1 Type 1	20L	3K 3000K	UNV *120-277V	PT Post Top	GY Grey	PCR-120 Photocell & Receptacle	RPP Round Pole Plate Adaptor For 3"Ø - 5"Ø Pole
	T2 Type 2	25L	4K 4000K	8 347V	MA Mast Arm Fitter	SL Silver Metallic	PCR-208 Photocell & Receptacle	UPMA-S Universal Square Pole Mount Adaptor *Not available with BLX-II-8
	T3 Type 3	30L	5K 5000K	5 480V	KM Knuckle Mount	BK Black	PCR-240 Photocell & Receptacle	UPMA-R Universal Round Pole Mount Adaptor *Not available with BLX-II-8
	T4 Type 4	35L			BOA Bolt-On Arm	SBK Smooth Black	PCR-277 Photocell & Receptacle	DS Decorative Shroud
	T4A Type 4 Automotive	40L			AM Arm Mount	WH White	PCR-480 Photocell & Receptacle	ROT-R Rotated Optics Right Side
BLX-II-4	T5SR Type 5 Short Round	45L			Extended arm is needed for the BLX-6 & BLX-8 in D9, T9, T120 & QD configurations	SWH Smooth White	PER 3 Pin Photo Receptacle w/shorting cap	ROT-L Rotated Optics Left Side
	T5LR Type 5 Long Round	50L			TM Trunnion Mount	BZ Bronze	5PINPER 5 Pin Photo Receptacle w/shorting cap Requires Dimming Driver	
	T5LS Type 5 Long Square	55L			WM Wall Mount BLX-II-3 & BLX-II-4 Only	GP Graphite	7PINPER 7 Pin Photo Receptacle w/shorting cap Requires Dimming Driver	
BLX-II-6		60L			AWM Adjustable Wall Mount BLX-II-3 & BLX-II-4 Only	CC Custom Color	DIM 0-10v Dimming Driver *No Controls	
		65L					WSC-8 Motion Sensor 8" Mounting Height	
		70L					WSC-20 Motion Sensor 9-20" Mounting Height	
		80L					WSC-40 Motion Sensor 21-40" Mounting Height This option will require (1) FSR 100 remote for programming	
BLX-II-8		90L			BAWP Bolt-On Arm Wall Plate *BLX-3 & BLX-4 only		VWC Visionaire Wireless Controls *Consult Factory	
		100L			BAWP-XL Bolt-On Arm Wall Plate-XL *BLX-6 & BLX-8 only			
		110L						

BOW ROADWAY FAMILY LED Array Specifications



Project Name:

Catalog Number:

Type:

The BSX-II Array Roadway continues the unique contemporary design inspired by the sleek styling of the BOW family. Separating the extruded aluminum driver housing and the individual die-cast aluminum linear LED engines: optimize the life of the LEDs and the Driver(s); and maximizes the lumen output of the fixture. The adjustable knuckle allows for up to 90° degrees of vertical adjustment for putting the light exactly where you need it.

Each of the individual LED light engines come with 16 LED Arrays; for a max total of 64 LED Arrays. Seven optical distribution patterns are available.

Available in 3000, 4000 or 5000 Kelvin temperature.

The BSX-II is an exceptional choice and the new standard for roadway lighting applications, bringing LED technology with long life and low maintenance

Ordering Information

MODEL	OPTICS	LUMENS	KELVIN	VOLTAGE	MOUNTING	FINISH	OPTIONS	OPTIONS				
BSX-II-2	T1 Type 1	5L 10L 15L	3K 3000K 4K 4000K 5K 5000K	UNV *120-277V	PT Post Top	GY Grey	PCR-120 Photocell & Receptacle	RPP Round Pole Plate Adaptor For 3"Ø - 5"Ø Pole				
	T2 Type 2								MA Mast Arm Fitter	SL Silver Metallic	PCR-208 Photocell & Receptacle	UPMA-S Universal Square Pole Mount Adaptor
	T3 Type 3								KM Knuckle Mount	BK Black	PCR-240 Photocell & Receptacle	UPMA-R Universal Round Pole Mount Adaptor
BSX-II-3	T4 Type 4	20L 25L	5K 5000K	5 480V	BOA Bolt-On Arm	SBK Smooth Black	PCR-277 Photocell & Receptacle	DS Decorative Shroud				
	T4A Type 4 Automotive								TM Trunnion Mount	WH White	PCR-480 Photocell & Receptacle	ROT-R Rotated Optics Right Side
BSX-II-4	T5SR Type 5 Short Round	30L 35L			WM Wall Mount	SWH Smooth White	PER 3 Pin Photo Receptacle w/shorting cap	ROT-L Rotated Optics Left Side				
	T5LR Type 5 Long Round								AWM Adjustable Wall Mount	BZ Bronze	5PINPER 5 Pin Photo Receptacle w/shorting cap Requires Dimming Driver	UP Uplight Configuration *Indoor Applications Only
	T5LS Type Long Square								GP Graphite	7PINPER 7 Pin Photo Receptacle w/shorting cap Requires Dimming Driver		
									CC Custom Color	DIM 0-10v Dimming Driver *No Controls		
							WSC-8 Motion Sensor 8' Mounting Height					
							WSC-20 Motion Sensor 9-20' Mounting Height					
							WSC-40 Motion Sensor 21-40' Mounting Height This option will require (1) FSIR 100 remote for programming					
							VWC Visionaire Wireless Controls *Consult Factory					

BOW ROADWAY FAMILY LED Array Specifications

Housing

- The LED light engines are constructed of heavy-duty, die-cast aluminum, with external heat radiating fins.

Driver Compartment

- The separate driver housing is constructed of 6063 T5 extruded aluminum alloy, with machined aluminum end covers and stainless steel fasteners for easy access to the LED driver(s) allowing for cooler operation and longer driver life. One-piece gasketing is utilized throughout the fixture for a weather tight IP66 rating.

Thermal Management

- The BOW Family Roadway Series provides excellent overall thermal management by maximizing the fixture's heat sink capabilities. This enables the BOW Family Roadway Series to withstand higher ambient temperatures and drive currents without degrading LED life.
- The L70 test determines the point in an LEDs life when it reaches 70 percent of its initial output. The LEDs used in the BOW Family Roadway Series have been calculated to have an L70 greater than 100,000 hours in 25° C environments using the Energy Star TM21 Calculator.

Optical System

- High Power/High Lumen output LED's are utilized in the BOW Family Roadway series. We offer IES distribution types: I, II, III, IV, V. Specially designed optics types are also available, T3L, T4L, T4A, T5RS, T5RL & T5SL. LED light engines come in multiples of 16 or 32 LED Arrays.
- Standard CRI is 70, CRI's of 80 and 90 are available upon special request.
- LED optical Assembly is rated for IP67 using high performance Optical Grade Acrylic.

New LED Array Technology

- 4 Diodes now replace a single Led chip and operate at 25% of the drive current allowing for higher efficiency, less heat and longer life. (10 Year Warranty)
- More LEDs at a lower drive current provides a more comfortable visual effect.

Quali-Guard® Finish

- The finish is a Quali-Guard® textured, chemically pretreated through a multiple-stage washer, electrostatically applied, thermoset polyester powder coat finish, with a minimum of 3-5 millimeter thickness. Finish is oven-baked at 400 °F to promote maximum adherence and finish hardness. All finishes are available in standard and custom colors. Finish is guaranteed for Seven (7) years.

Mounting

- An adjustable knuckle slip fits over a 2 3/8" Tenon, and allows for up to 90° degrees of vertical adjustment in 10° degree increments from horizontal, as well as full side to side adjustment with the knuckle mount.
- The Bolt-On Arm (BOA) utilizes a 2 piece cleat system for easy installation. A Round Pole Plate Adaptor (RPP) is required for mounting to round poles.
- Mast Arm Fitter fits over a 2 3/8" tenon.
- Post Top fits over a 2 3/8" tenon and is adjustable up to 45°.
- Trunnion Mount is adjustable up to 45°
- Adjustable Wall Mount BLX-II-3 & BLX-II-4 Only
- Bolt-On Arm Wall Plate
- Bolt-On Arm Wall Plate-XL

Electrical Assembly

- The BOW Family Roadway Series is supplied with a choice of 350, 530, 700, 1000, 1200 or 1400 mA high-performance LED drivers, that accept 120v thru 480v, 50 Hz to 60 Hz, input. Power factor of 95%. Rated for -40° C to +55° C operations.
- 20 kV surge protector supplied as standard. Meets ANSI C82.77-5-2015. Meets ANSI C136.2-2015. Meets IEEE C62.41.2. Meets US Dept of Energy MSSLC Model Spec. IP66 Rated.
- 85 Amp, 600 Volt AC/DC Terminal block supplied as standard except for Knuckle Mount. #4-14# AWG Copper wire only.
- 0-10v Dimming Driver supplied as standard.
- LED drivers used in the BOW Family Roadway series are all high efficiency (>90%) class 1 drivers. Minimum internal surge protection of 3KV/ internal fusing (some configurations have higher), 10% minimum dimming, 100,000 hr rated lifetime @ 25° C. All configurations meet DLC minimum requirements of THD <20%, PF>0.90. Consult factory for datasheets/technical information pertaining to drivers.

Warranty

- Ten (10) year Limited Warranty on electrical components, Seven (7) year on finish. For full warranty information, please visit visionairelighting.com.

Options

- 5Pin ANSI C136.41
- 7Pin ANSI C136.41
- Photocell & Receptacle
- Photo Receptacle
- Round pole plate adaptor
- Motion Sensor
- Pole Mounted Motion Sensor
- Universal Pole Mount Adaptor (BLX-II-3, BLX-II-4 & BLX-II-6 Only)
- Decorative Shroud
- Wireless Controls
- Rotated Optics
- Cut-Off Louver Sheild

Listings

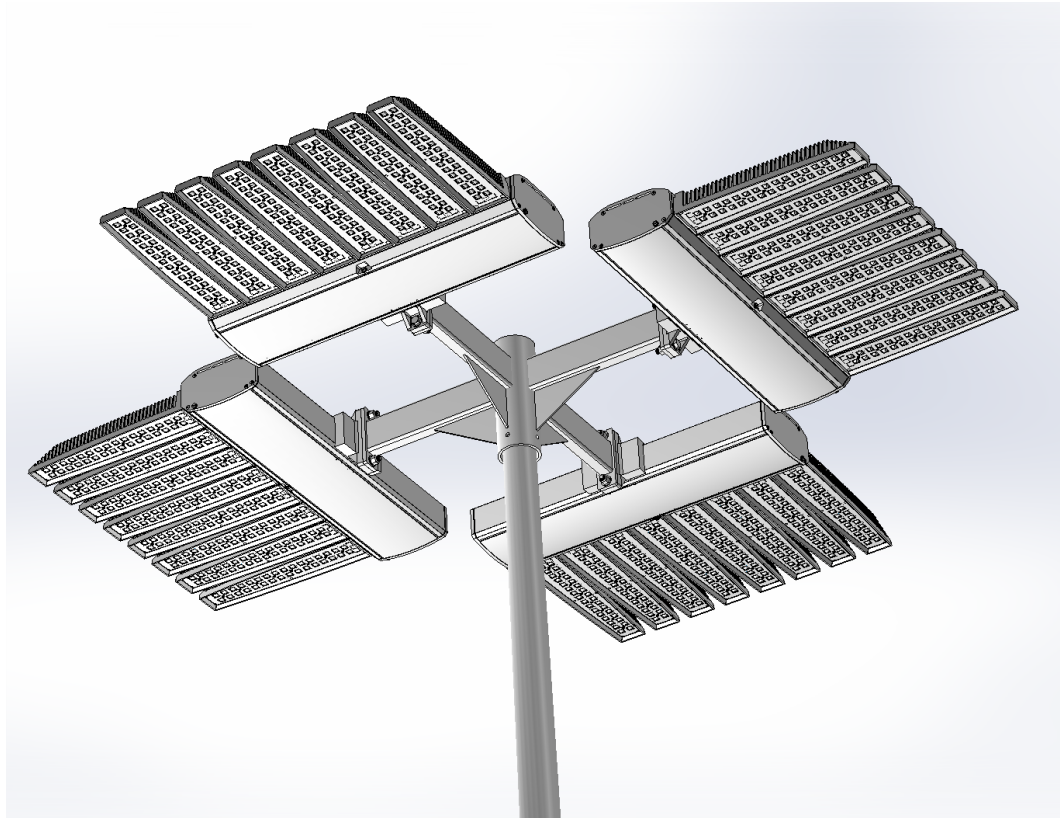
- BOW LX II Array Series is UL listed, suitable for wet locations
- BOW SX II Array Series is UL listed, suitable for wet locations
- LM79 and LM80
- RoHS compliant
- Meets ANSI C136.31-2010 3G Vibration Standards for:
 - Knuckle Mount
 - Mast Arm Mount
 - Post Top Mount
 - Trunnion Mount
- Powder Coated Tough™
- IP-66 Rated

DesignLights Consortium (DLC) qualified Product. Some configurations of this product family may not be DesignLights Consortium (DLC) listed, please refer to the DLC qualified products list to confirm listed configurations. <http://www.designlights.org/3000K> must be selected with a fixed mount for IDA certification.

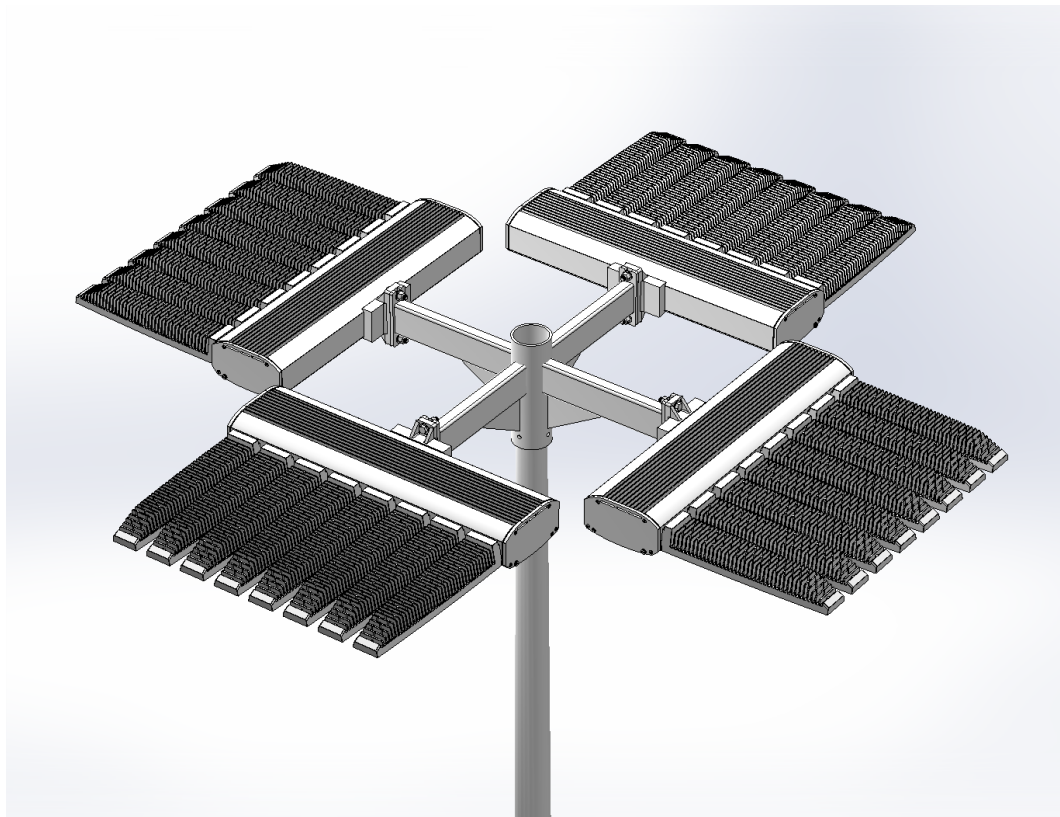


BOW ROADWAY FAMILY LED Array Specifications

VA141QD



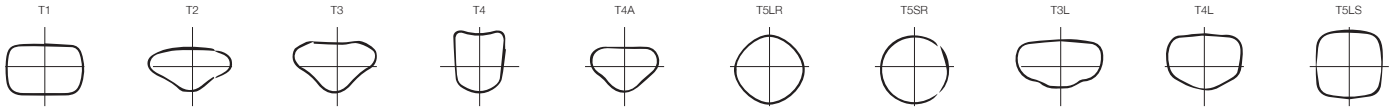
VA141QD



BLX-II ARRAY Roadway LED Specifications

Photometric Optical Summary

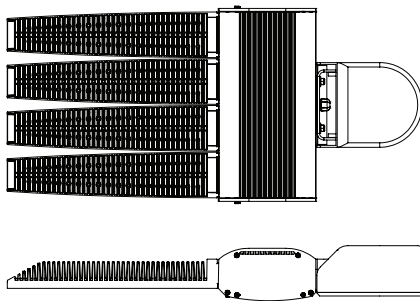
Not all optics are available on all fixtures. Check ordering chart for availability



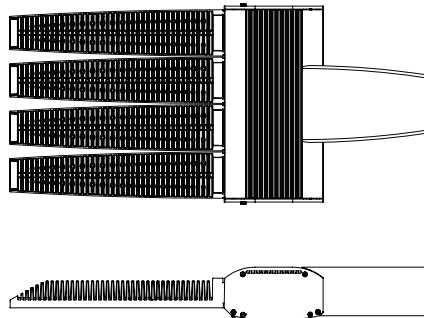
Dimensions

Post Top	Mast Arm	Knuckle Mount	Bolt-On Arm	Trunnion
Width: BLX-II-3 15" BLX-II-4 17" BLX-II-6 28" BLX-II-8 33"	Width: BLX-II-3 15" BLX-II-4 17" BLX-II-6 28" BLX-II-8 33"	Width: BLX-II-3 15" BLX-II-4 17" BLX-II-6 28" BLX-II-8 33"	Width: BLX-II-3 15" BLX-II-4 17" BLX-II-6 28" BLX-II-8 33"	Width: BLX-II-3 15" BLX-II-4 17" BLX-II-6 28" BLX-II-8 33"
Depth: BLX-II-3 36" BLX-II-4 36" BLX-II-6 36" BLX-II-8 36"	Depth: BLX-II-3 36" BLX-II-4 36" BLX-II-6 36" BLX-II-8 36"	Depth: BLX-II-3 37" BLX-II-4 37" BLX-II-6 37" BLX-II-8 37"	Depth: BLX-II-3 34" BLX-II-4 34" BLX-II-6 34" BLX-II-8 34"	Depth: BLX-II-3 33" BLX-II-4 33" BLX-II-6 33" BLX-II-8 33"
Height: BLX-II-3 6" BLX-II-4 6" BLX-II-6 6" BLX-II-8 6"	Height: BLX-II-3 5" BLX-II-4 5" BLX-II-6 5" BLX-II-8 5"	Height: BLX-II-3 5" BLX-II-4 5" BLX-II-6 5" BLX-II-8 5"	Height: BLX-II-3 5"/9" BLX-II-4 5"/9" BLX-II-6 5"/9" BLX-II-8 5"/9"	Height: BLX-II-3 5" BLX-II-4 5" BLX-II-6 5" BLX-II-8 5"

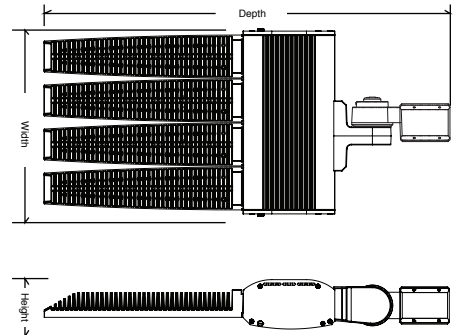
Post Top



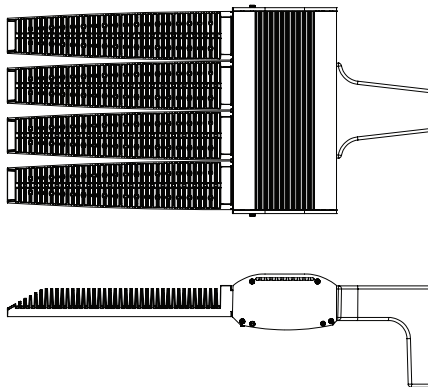
Mast Arm



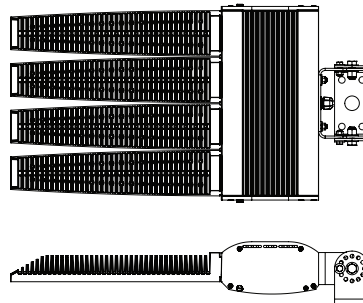
Knuckle Mount



Bolt-On Arm



Trunnion Mount



BLX-II EPA Data				
Tilt Deg.	BLX-II-3	BLX-II-4	BLX-II-6	BLX-II-8
0	.7	.7	.8	1.1
10	.71	.9	1.2	1.6
20	1.02	1.3	1.8	2
30	1.32	1.7	2.4	3.1
40	1.62	2.1	3	3.9
50	1.86	2.4	3.4	4.5
60	2.07	2.6	3.8	5
70	2.21	2.8	4.1	5.4
80	2.29	2.9	4.3	5.7
90	2.30	3	4.5	6.1
Weight				
BLX-II	45 LBS	54 LBS	68 LBS	96 LBS

LED Specifications **BLX-II ARRAY ROADWAY**

BLX II 3K LUMEN DATA													
Lumens	Current	LEDs	T1	T2	T3	T3L	T4	T4L	T4A	T5SR	T5LR	T5LS	Watts
20L	530	96AR BLX-II-3	19826	19730	19363	18445	19548	18628	19648	19862	19207	19943	149
25L	600		22801	22690	22268	21059	22481	21268	22596	22842	22089	22935	174
30L	700		25776	25651	25174	23673	25415	23908	25544	25823	24970	25928	200
35L	900		31806	31651	31062	29502	31360	29795	31519	31863	30811	31993	252
40L	1050		37835	37651	36951	35331	37304	35682	37494	37903	36652	38057	305
45L	1200		41993	41788	41012	38106	41404	38485	41614	42069	40680	42240	346
50L	1400		47673	47441	46559	42713	47004	43138	47243	47759	46183	47953	397
55L	1050	128AR BLX-II-4	48977	48738	47832	47107	48290	47577	48535	49065	47446	49265	407
60L	1200		55896	55623	54590	50808	55112	51314	55392	55996	54149	56225	456
65L	1300		59695	59404	58300	53879	58858	54415	59157	59803	57829	60046	498
70L	1400		63495	63185	62011	56950	62604	57517	62922	63609	61510	63868	541
80L	1000	192AR BLX-II-6	66978	66651	65413	59004	66039	59591	66374	67098	64884	67372	508
90L	1100		84116	83706	82150	73436	82936	74168	83357	84267	81486	84610	653
100L	1300		95189	94725	92965	80819	93854	81623	94331	95360	92213	95748	743
110L	1400		100910	100419	98553	85426	99495	86275	100001	101092	97756	101504	793
120L	1100	256AR BLX-II-8	110628	110089	108043	97915	109077	98890	109631	110827	107170	111279	861
130L	1200		117112	116541	114376	101615	115470	102627	116056	117323	113451	117801	905
145L	1400		133266	132616	129400	113902	130638	115034	131302	132734	129100	134049	1102
BLX II 4K LUMEN DATA													
20L	530	96AR BLX-II-3	21956	21849	21443	20426	21648	20629	21758	21995	21270	22085	149
25L	600		25251	25127	24661	23321	24896	23553	25023	25296	24461	25399	174
30L	700		28545	28406	27878	26216	28145	26477	28288	28596	27653	28713	200
35L	900		35222	35050	34399	32761	34728	32996	34905	35285	34121	35429	252
40L	1050		41899	41695	40920	39126	41312	39515	41522	41975	40590	42146	305
45L	1200		46504	46277	45417	42200	45852	42619	46085	46588	45050	46777	346
50L	1400		52794	52537	51560	47301	52054	47771	52318	52889	51144	53104	397
55L	1050	128AR BLX-II-4	54238	53973	52970	52168	53477	52687	53749	54335	52542	54557	407
60L	1200		61900	61598	60454	56265	61032	56826	61342	62012	59965	62264	456
65L	1300		66108	65785	64563	59667	65181	60261	65512	66227	64041	66496	498
70L	1400		70315	69973	68672	63068	69329	63695	69681	70442	68117	70729	541
80L	1000	192AR BLX-II-6	74173	73811	72440	65342	73132	65992	73504	74306	71854	74609	508
90L	1100		93151	92697	90975	81325	91845	82135	92312	93319	90240	93699	653
100L	1300		105414	104900	102951	89500	103936	90391	104464	105604	102119	106034	743
110L	1400		111750	111206	109139	94602	110183	95543	110743	111951	108257	112407	793
120L	1100	256AR BLX-II-8	129692	129060	126662	108433	127873	109513	128523	129925	125638	130455	905
130L	1200		122512	121915	119649	112531	120794	113652	121407	122732	118682	123232	861
145L	1400		147581	146862	143300	126137	144671	127391	145406	146992	142968	148449	1102
<small>Visit www.visionairelighting.com for up-to-the-minute chart information, including types not listed here. *For 5K multiply 4K values by 1.0</small>													

BLX-II ARRAY ROADWAY LED Specifications

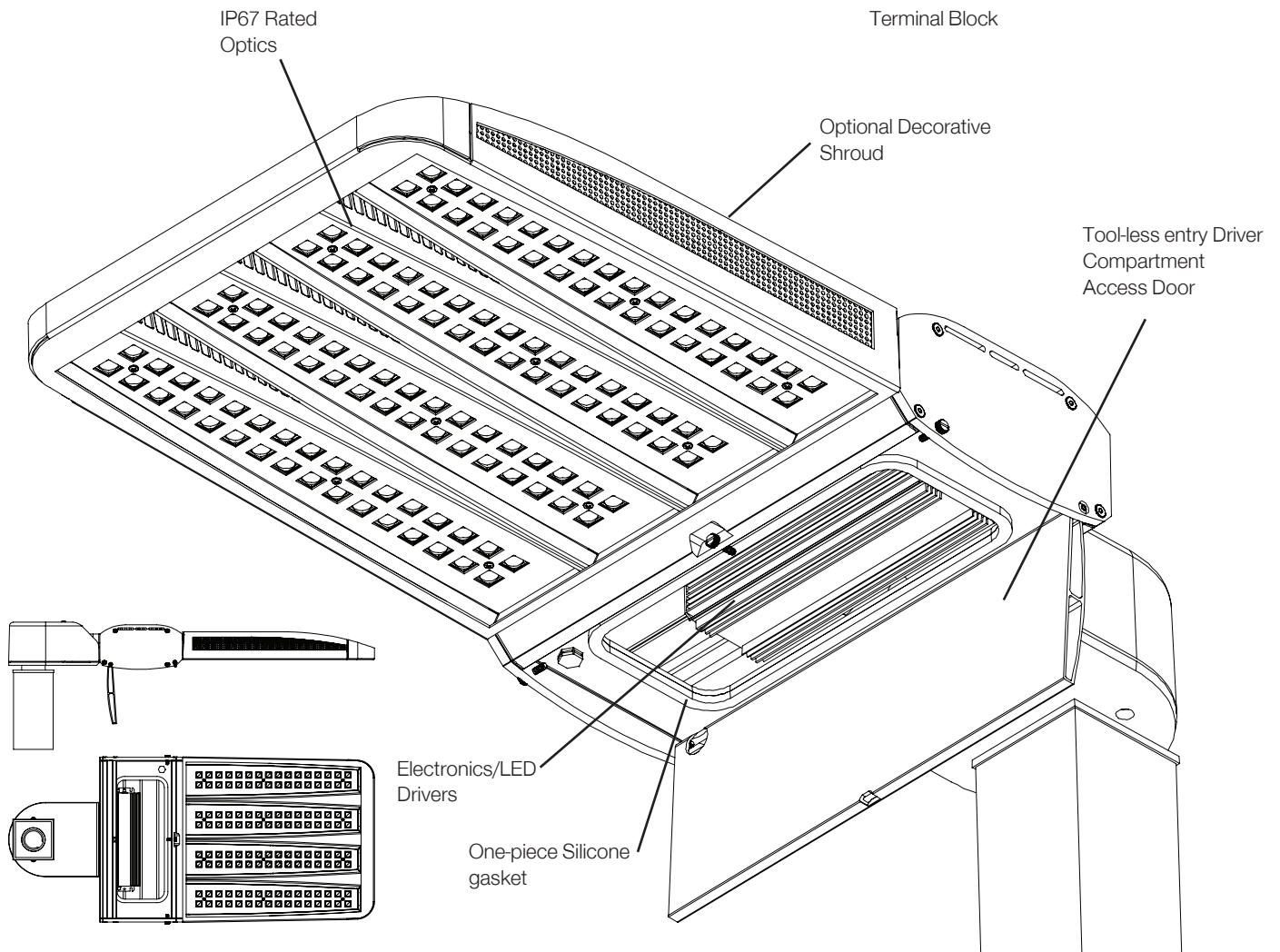
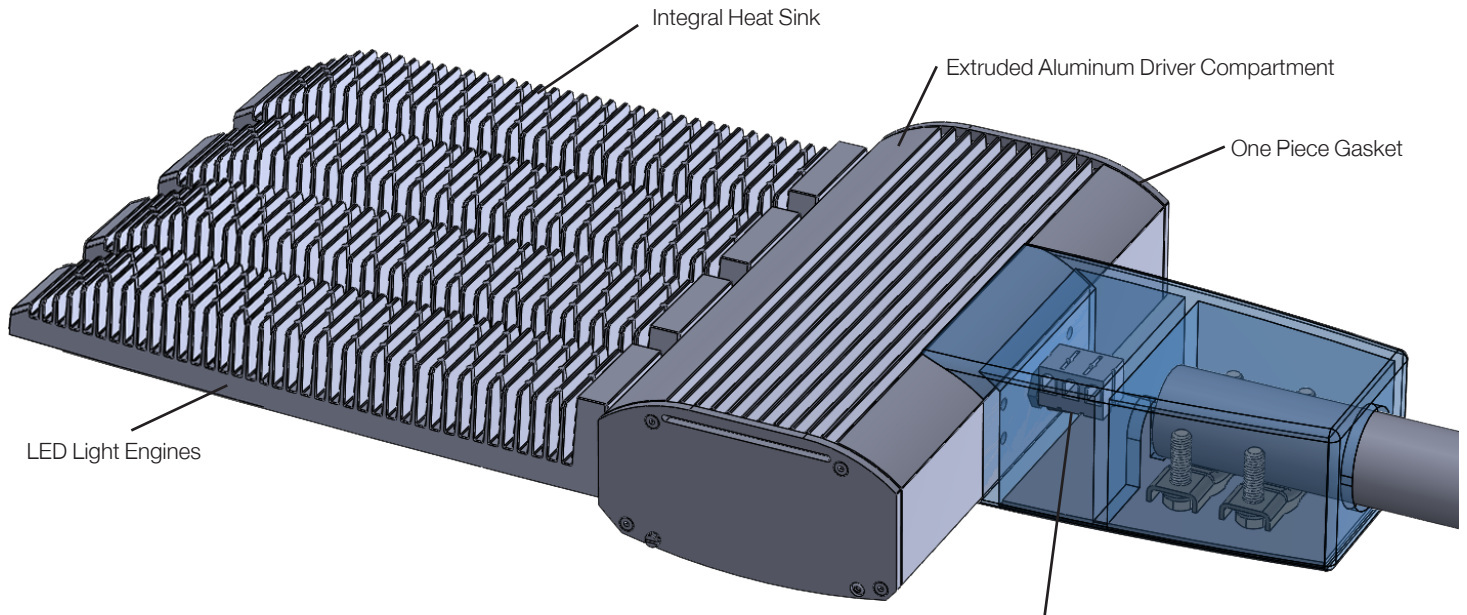
BLX II 3K LPW DATA													
Lumens	Current	LEDs	T1	T2	T3	T3L	T4	T4L	T4A	T5SR	T5LR	T5LS	Watts
20L	530	96AR BLX-II-3	133	133	130	124	131	125	132	134	129	134	149
25L	600		131	130	128	121	129	122	130	131	127	132	174
30L	700		129	129	126	119	127	120	128	129	125	130	200
35L	900		126	125	123	117	124	118	125	126	122	127	252
40L	1050		124	123	121	116	122	117	123	124	120	125	305
45L	1200		122	121	119	110	120	111	120	122	118	122	346
50L	1400		120	120	117	108	118	109	119	120	116	121	397
55L	1050	128AR BLX-II-4	120	120	118	116	119	117	119	121	117	121	407
60L	1200		123	122	120	111	121	113	121	123	119	123	456
65L	1300		120	119	117	108	118	109	119	120	116	120	498
70L	1400		117	117	115	105	116	106	116	118	114	118	541
80L	1000	192AR BLX-II-6	132	131	129	116	130	117	131	132	128	133	508
90L	1100		129	128	126	112	127	114	128	129	125	130	653
100L	1300		128	128	125	109	126	110	127	128	124	129	743
110L	1400		127	127	124	108	125	109	126	127	123	128	793
120L	1100	256AR BLX-II-8	128	128	125	114	127	115	127	129	124	129	861
130L	1200		129	129	126	112	128	113	128	130	125	130	905
145L	1400		121	120	117	103	119	104	119	120	117	122	1102
BLX II 4K LPW DATA													
20L	530	96AR BLX-II-3	148	147	144	137	146	139	146	148	143	149	149
25L	600		145	144	142	134	143	135	144	145	140	146	174
30L	700		143	142	140	131	141	133	142	143	139	144	200
35L	900		140	139	136	130	138	131	138	140	135	140	252
40L	1050		137	137	134	128	135	129	136	137	133	138	305
45L	1200		135	134	131	122	133	123	133	135	130	135	346
50L	1400		133	132	130	119	131	120	132	133	129	134	397
55L	1050	128AR BLX-II-4	133	133	130	128	131	130	132	134	129	134	407
60L	1200		136	135	133	123	134	125	134	136	131	137	456
65L	1300		133	132	130	120	131	121	131	133	128	133	498
70L	1400		130	129	127	117	128	118	129	130	126	131	541
80L	1000	192AR BLX-II-6	146	145	143	129	144	130	145	146	141	147	508
90L	1100		143	142	139	124	141	126	141	143	138	143	653
100L	1300		142	141	139	120	140	122	141	142	137	143	743
110L	1400		141	140	138	119	139	120	140	141	136	142	793
120L	1100	256AR BLX-II-8	143	143	140	120	141	121	142	144	139	144	905
130L	1200		142	142	139	131	140	132	141	142	138	143	861
145L	1400		134	133	130	114	131	116	132	133	130	135	1102
<small>Visit www.visionairelighting.com for up-to-the-minute chart information, including types not listed here. *For 5K multiply 4K values by 1.0</small>													

LED Specifications **BLX-II ARRAY ROADWAY**

BLX II 3K BUG DATA																																	
			T1			T2			T3			T3L			T4			T4L			T4A			T5SR			T5LR			T5LS			
Lumens	Current	LEDs	B	U	G	B	U	G	B	U	G				B	U	G				B	U	G	B	U	G	B	U	G	B	U	G	Watts
20L	530	96AR BLX-II-3	4	0	4	3	0	3	3	0	3	3	0	5	3	0	3	3	0	4	3	0	3	4	0	2	4	0	3	5	0	3	149
25L	600		4	0	4	3	0	3	3	0	3	3	0	5	3	0	4	3	0	5	3	0	3	4	0	2	5	0	3	5	0	3	174
30L	700		5	0	5	3	0	3	3	0	4	4	0	5	3	0	4	3	0	5	3	0	3	4	0	2	5	0	4	5	0	3	200
35L	900		5	0	5	4	0	4	3	0	4	4	0	5	4	0	4	4	0	5	4	0	3	5	0	3	5	0	4	5	0	4	252
40L	1050		5	0	5	4	0	4	4	0	4	4	0	5	4	0	5	4	0	5	4	0	4	5	0	3	5	0	5	5	0	4	305
45L	1200		5	0	5	4	0	4	4	0	5	4	0	5	4	0	5	4	0	5	4	0	4	5	0	4	5	0	5	5	0	4	346
50L	1400		5	0	5	4	0	4	4	0	5	4	0	5	4	0	5	4	0	5	4	0	4	5	0	4	5	0	5	5	0	5	397
55L	1050		128AR BLX-II-4	5	0	5	4	0	4	4	0	5	5	0	5	4	0	5	4	0	5	4	0	4	5	0	4	5	0	5	5	0	5
60L	1200	5		0	5	5	0	5	4	0	5	5	0	5	5	0	5	4	0	5	5	0	4	5	0	4	5	0	5	5	0	5	456
65L	1300	5		0	5	5	0	5	5	0	5	5	0	5	5	0	5	5	0	5	5	0	4	5	0	4	5	0	5	5	0	5	498
70L	1400	5		0	5	5	0	5	5	0	5	5	0	5	5	0	5	5	0	5	5	0	4	5	0	5	5	0	5	5	0	5	541
80L	1000	192AR BLX-II-6	5	0	5	5	0	5	5	0	5	5	0	5	5	0	5	5	0	5	5	0	4	5	0	5	5	0	5	5	0	5	508
90L	1100		5	0	5	5	0	5	5	0	5	5	0	5	5	0	5	5	0	5	5	0	5	5	0	5	5	0	5	5	0	5	653
100L	1300		5	0	5	5	0	5	5	0	5	5	0	5	5	0	5	5	0	5	5	0	5	5	0	5	5	0	5	5	0	5	743
110L	1400		5	0	5	5	0	5	5	0	5	5	0	5	5	0	5	5	0	5	5	0	5	5	0	5	5	0	5	5	0	5	793
120L	1100	256AR BLX-II-8	5	0	5	5	0	5	5	0	5	5	0	5	5	0	5	5	0	5	5	0	5	5	0	5	5	0	5	5	0	5	861
130L	1200		5	0	5	5	0	5	5	0	5	5	0	5	5	0	5	5	0	5	5	0	5	5	0	5	5	0	5	5	0	5	905
145L	1400		5	0	5	5	0	5	5	0	5	5	0	5	5	0	5	5	0	5	5	0	5	5	0	5	5	0	5	5	0	5	1102
BLX II 4K BUG DATA																																	
20L	530	96AR BLX-II-3	4	0	4	3	0	3	3	0	3	3	0	5	3	0	3	3	0	4	3	0	3	4	0	2	5	0	3	5	0	3	149
25L	600		5	0	5	3	0	3	3	0	4	4	0	5	3	0	4	3	0	5	3	0	3	4	0	2	5	0	4	5	0	3	174
30L	700		5	0	5	4	0	4	3	0	4	4	0	5	3	0	4	3	0	5	3	0	3	5	0	3	5	0	4	5	0	4	200
35L	900		5	0	5	4	0	4	4	0	4	4	0	5	4	0	5	4	0	5	4	0	4	5	0	3	5	0	4	5	0	4	252
40L	1050		5	0	5	4	0	4	4	0	5	4	0	5	4	0	5	4	0	5	4	0	4	5	0	4	5	0	5	5	0	4	305
45L	1200		5	0	5	4	0	4	4	0	5	4	0	5	4	0	5	4	0	5	4	0	4	5	0	4	5	0	5	5	0	5	346
50L	1400		5	0	5	5	0	4	4	0	5	5	0	5	5	0	5	4	0	5	5	0	4	5	0	4	5	0	5	5	0	5	397
55L	1050		128AR BLX-II-4	5	0	5	5	0	5	4	0	5	5	0	5	5	0	5	4	0	5	5	0	4	5	0	4	5	0	5	5	0	5
60L	1200	5		0	5	5	0	5	5	0	5	5	0	5	5	0	5	5	0	5	5	0	4	5	0	4	5	0	5	5	0	5	456
65L	1300	5		0	5	5	0	5	5	0	5	5	0	5	5	0	5	5	0	5	5	0	4	5	0	5	5	0	5	5	0	5	498
70L	1400	5		0	5	5	0	5	5	0	5	5	0	5	5	0	5	5	0	5	5	0	5	5	0	5	5	0	5	5	0	5	541
80L	1000	192AR BLX-II-6	5	0	5	5	0	5	5	0	5	5	0	5	5	0	5	5	0	5	5	0	5	5	0	5	5	0	5	5	0	5	508
90L	1100		5	0	5	5	0	5	5	0	5	5	0	5	5	0	5	5	0	5	5	0	5	5	0	5	5	0	5	5	0	5	653
100L	1300		5	0	5	5	0	5	5	0	5	5	0	5	5	0	5	5	0	5	5	0	5	5	0	5	5	0	5	5	0	5	743
110L	1400		5	0	5	5	0	5	5	0	5	5	0	5	5	0	5	5	0	5	5	0	5	5	0	5	5	0	5	5	0	5	793
120L	1100	256AR BLX-II-8	5	0	5	5	0	5	5	0	5	5	0	5	5	0	5	5	0	5	5	0	5	5	0	5	5	0	5	5	0	5	861
130L	1200		5	0	5	5	0	5	5	0	5	5	0	5	5	0	5	5	0	5	5	0	5	5	0	5	5	0	5	5	0	5	905
145L	1400		5	0	5	5	0	5	5	0	5	5	0	5	5	0	5	5	0	5	5	0	5	5	0	5	5	0	5	5	0	5	1102

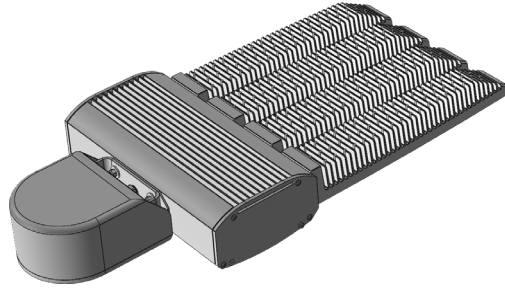
BLX-II ARRAY ROADWAY LED Specifications

BLX Features



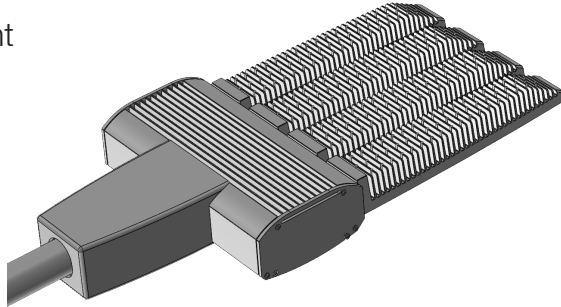
BLX-II Mounting Options

Post Top Mount



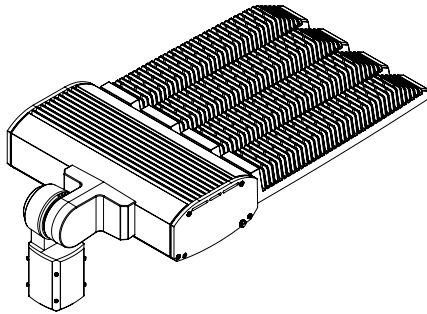
Post Top fits over a 2" - 2-3/8" tenon and is adjustable up to 45 degrees.

Mast Arm Mount



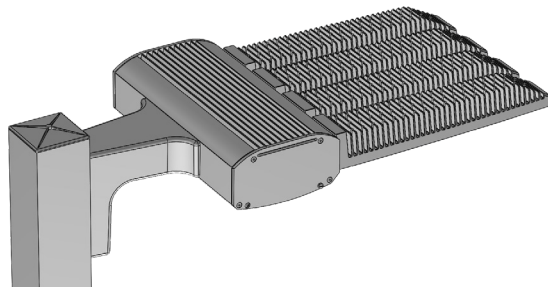
Mast Arm Fitter fits over a 2" - 2-3/8" tenon.

Knuckle Mount



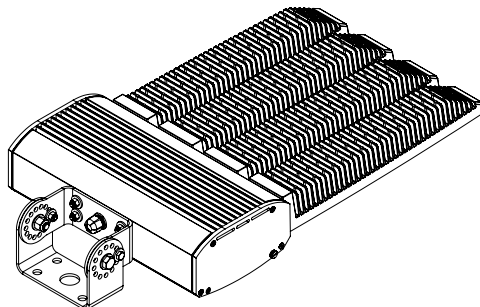
An adjustable knuckle slip fits over a 2-3/8" Tenon, and allows for up to 90 degrees of vertical adjustment in 10 degree increments from horizontal, as well as full side to side adjustment with the knuckle mount.

Arm Mount



The Bolt -On Arm (BOA) utilizes a 2 piece cleat system for easy installation. A Round Pole Plate Adaptor (RPP) is required for mounting to round poles.

Trunnion Mount

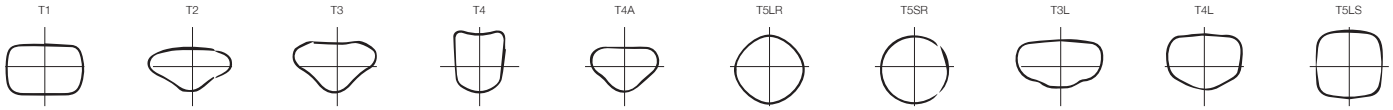


Trunnion Mount is adjustable up to 90 degrees.

BSX-II ARRAY ROADWAY LED Specifications

Photometric Optical Summary

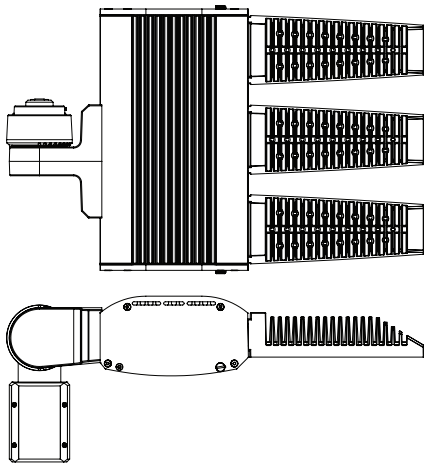
Not all optics are available on all fixtures. Check ordering chart for availability



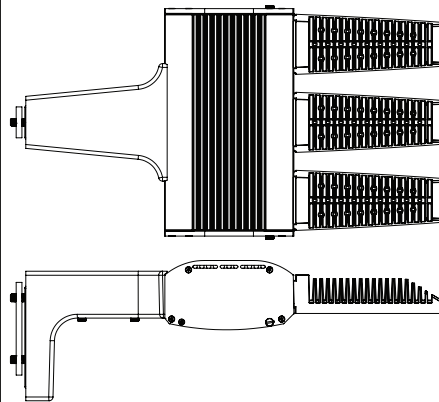
Dimensions

Knuckle Mount		Bolt-On Arm		Mast Arm		Post Top		Trunnion Mount		Trunnion Mount	
Width:	BSX-II-2 15" BSX-II-3 15" BSX-II-4 17"	Width:	BSX-II-2 15" BSX-II-3 15" BSX-II-4 17"	Width:	BSX-II-2 15" BSX-II-3 15" BSX-II-4 17"	Width:	BSX-II-2 15" BSX-II-3 15" BSX-II-4 17"	Width:	BSX-II-2 15" BSX-II-3 15" BSX-II-4 17"	Width:	BSX-II-2 15" BSX-II-3 15" BSX-II-4 17"
Depth:	BSX-II-2 29" BSX-II-3 29" BSX-II-4 29"	Depth:	BSX-II-2 27" BSX-II-3 27" BSX-II-4 27"	Depth:	BSX-II-2 28" BSX-II-3 28" BSX-II-4 28"	Depth:	BSX-II-2 27" BSX-II-3 27" BSX-II-4 27"	Depth:	BSX-II-2 25" BSX-II-3 25" BSX-II-4 25"	Depth:	BSX-II-2 25" BSX-II-3 25" BSX-II-4 25"
Height:	BSX-II-2 5" BSX-II-3 5" BSX-II-4 5"	Height:	BSX-II-2 9" BSX-II-3 9" BSX-II-4 9"	Height:	BSX-II-2 5" BSX-II-3 5" BSX-II-4 5"	Height:	BSX-II-2 5" BSX-II-3 5" BSX-II-4 5"	Height:	BSX-II-2 5" BSX-II-3 5" BSX-II-4 5"	Height:	BSX-II-2 8" BSX-II-3 8" BSX-II-4 8"

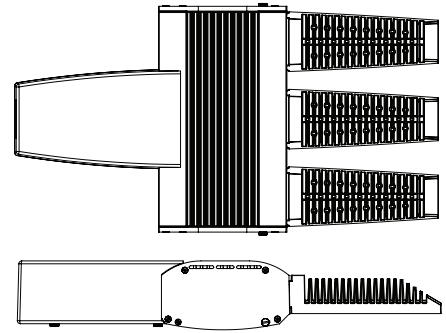
Knuckle Mount



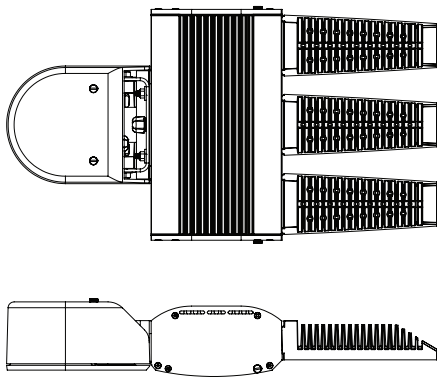
Bolt-On Arm



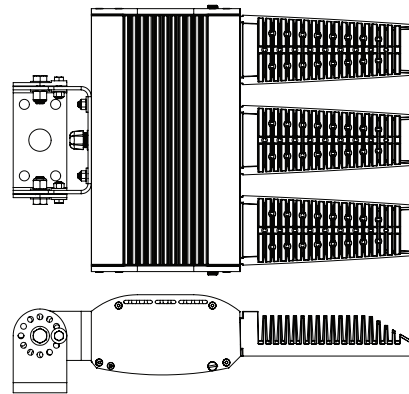
Mast Arm



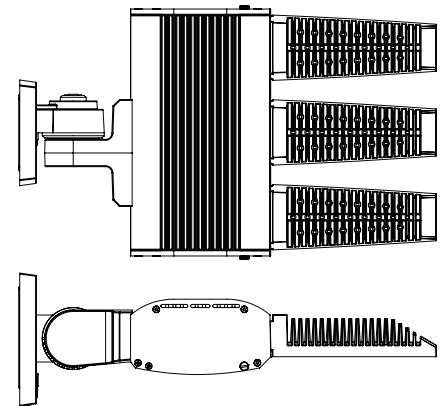
Post Top Mount



Trunnion Mount



Adjustable Wall Mount



LED Specifications **BSX-II ARRAY ROADWAY**

BSX 3K LUMEN DATA											
LUMENS	Current	LEDs	T1	T2	T3	T4	T4A	T5SR	T5LR	T5LS	Watts
5L	350	32AR BSX-II-2	4752	4744	4645	4640	4699	4763	4581	4759	33
10L	700		9021	9006	8818	8809	8920	9042	8696	9033	68
15L	1050		13180	13159	12884	12871	13032	13210	12706	13198	102
20L	1050	48AR BSX-II-3	20065	20032	19613	19593	19840	20111	19342	20092	152
25L	1200		22359	22323	21856	21834	22109	22411	21554	22390	172
30L	1200	64AR BSX-II-4	29432	29384	28770	28740	29102	29499	28372	29473	230
35L	1400		33133	33079	32388	32355	32761	33209	31940	33179	263
BSX 4K LUMEN DATA											
5L	350	32AR BSX-II-2	5263	5254	5144	5139	5204	5275	5073	5270	33
10L	700		9990	9974	9765	9755	9878	10013	9630	10004	68
15L	1050		14596	14572	14268	14253	14432	14629	14071	14616	102
20L	1050	48AR BSX-II-3	22220	22184	21720	21698	21971	22271	21420	22251	152
25L	1200		24761	24721	24204	24180	24483	24818	23870	24796	172
30L	1200	64AR BSX-II-4	32593	32540	31860	31828	32228	32668	31420	32638	230
35L	1400		36692	36632	35867	35830	36280	36776	35371	36743	263
BSX 5K LUMEN DATA											
5L	350	32AR BSX-II-2	5263	5254	5144	5139	5204	5275	5213	5270	33
10L	700		9990	9974	9765	9755	9878	10013	9630	10004	68
15L	1050		14596	14572	14268	14253	14432	14629	14071	14616	102
20L	1050	48AR BSX-II-3	22220	22184	21720	21698	21971	22271	21420	22251	152
25L	1200		24761	24721	24204	24180	24483	24818	23870	24796	172
30L	1200	64AR BSX-II-4	32593	32540	31860	31828	32228	32668	31420	32638	230
35L	1400		36692	36632	35867	35830	36280	36776	35371	36743	263

BSX-II EPA Data				BSX-II Weight		
Tilt Deg.	BSX-2	BSX-3	BSX-4	BSX-2	BSX-3	BSX-4
0	.58	.58	.59	16 LBS	21LBS	26 LBS
10	.58	.62	.77			
20	.62	.82	1.02			
30	.76	1.02	1.28			
40	.9	1.2	1.53			
50	1.01	1.36	1.75			
60	1.11	1.5	1.93			
70	1.14	1.6	2.06			
80	1.19	1.66	2.13			
90	1.21	1.68	2.14			

BSX-II ARRAY ROADWAY LED Specifications

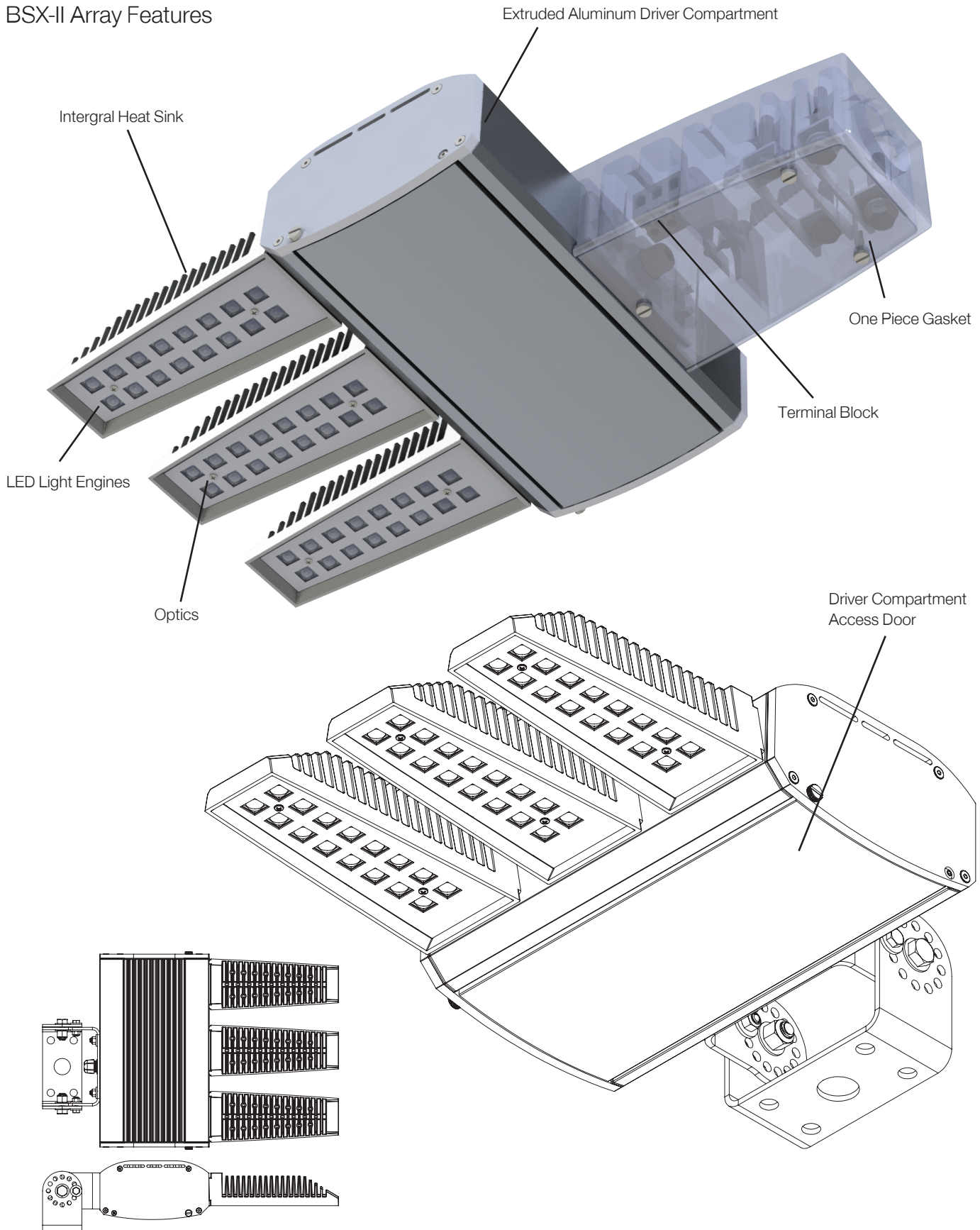
BSX 3K LPW DATA											
LUMENS	Current	LEDs	T1	T2	T3	T4	T4A	T5SR	T5LR	T5LS	Watts
5L	350	32AR BSX-II-2	144	143	140	140	142	144	138	144	33
10L	700		134	133	131	131	132	134	129	134	68
15L	1050		129	129	126	126	128	129	124	129	102
20L	1050	48AR BSX-II-3	132	132	129	129	131	133	128	133	152
25L	1200		130	130	127	127	129	130	125	130	172
30L	1200	64AR BSX-II-4	128	128	125	125	126	128	123	128	230
35L	1400		126	126	123	123	124	126	121	126	263
BSX 4K LUMEN DATA											
5L	350	32AR BSX-II-2	159	159	155	155	157	159	153	159	33
10L	700		148	148	145	145	146	148	143	148	68
15L	1050		143	143	140	139	141	143	138	143	102
20L	1050	48AR BSX-II-3	147	146	143	143	145	147	141	147	152
25L	1200		144	144	141	141	142	144	139	144	172
30L	1200	64AR BSX-II-4	141	141	138	138	140	142	136	142	230
35L	1400		139	139	136	136	138	140	134	140	263
BSX 5K LUMEN DATA											
5L	350	32AR BSX-II-2	159	159	155	155	157	159	157	159	33
10L	700		148	148	145	145	146	148	143	148	68
15L	1050		143	143	140	139	141	143	138	143	102
20L	1050	48AR BSX-II-3	147	146	143	143	145	147	141	147	152
25L	1200		144	144	141	141	142	144	139	144	172
30L	1200	64AR BSX-II-4	141	141	138	138	140	142	136	142	230
35L	1400		139	139	136	136	138	140	134	140	263

LED Specifications **BSX-II ARRAY ROADWAY**

VSX 3K BUG DATA																											
LUMENS	Current	LEDs	T1			T2			T3			T4			T4A			T5SR			T5LR			T5LS			Watts
			B	U	G	B	U	G	B	U	G	B	U	G	B	U	G	B	U	G	B	U	G	B	U	G	
5L	350MA	32AR BSX-II-2	2	0	2	1	0	1	1	0	1	1	0	1	1	0	1	2	0	1	3	0	1	3	0	1	33
10L	700MA		3	0	3	2	0	2	2	0	2	2	0	2	2	0	2	3	0	1	3	0	2	3	0	2	68
15L	1050MA		4	0	4	3	0	3	2	0	2	3	0	3	2	0	2	3	0	2	4	0	3	4	0	2	102
20L	1050MA	48AR BSX-II-3	4	0	4	3	0	3	3	0	3	3	0	3	3	0	3	4	0	2	4	0	3	4	0	2	152
25L	1200MA		4	0	4	3	0	3	3	0	3	3	0	3	3	0	3	4	0	2	4	0	3	4	0	3	172
30L	1200MA	64AR BSX-II-4	5	0	5	4	0	4	3	0	4	3	0	4	4	0	3	5	0	3	5	0	4	5	0	3	230
35L	1400MA		5	0	5	4	0	4	3	0	4	4	0	4	4	0	3	5	0	3	5	0	4	5	0	4	263
VSX 4K BUG DATA																											
5L	350MA	32AR BSX-II-2	3	0	3	1	0	1	1	0	1	1	0	1	1	0	1	2	0	1	3	0	2	3	0	1	33
10L	700MA		3	0	3	2	0	2	2	0	2	2	0	2	2	0	2	3	0	2	3	0	2	3	0	2	68
15L	1050MA		4	0	4	3	0	3	3	0	3	3	0	3	3	0	3	4	0	2	4	0	3	4	0	2	102
20L	1050MA	48AR BSX-II-3	4	0	4	3	0	3	3	0	3	3	0	3	3	0	3	4	0	2	4	0	3	4	0	3	152
25L	1200MA		4	0	4	3	0	3	3	0	3	3	0	3	3	0	3	4	0	2	5	0	3	5	0	3	172
30L	1200MA	64AR BSX-II-4	5	0	5	4	0	4	3	0	4	4	0	4	4	0	3	5	0	3	5	0	4	5	0	4	230
35L	1400MA		5	0	5	4	0	4	4	0	4	4	0	4	4	0	4	5	0	3	5	0	4	5	0	4	263
VSX 5K BUG DATA																											
5L	350MA	32AR BSX-II-2	3	0	3	1	0	1	1	0	1	1	0	1	1	0	1	2	0	1	3	0	2	3	0	1	33
10L	700MA		3	0	3	2	0	2	2	0	2	2	0	2	2	0	2	3	0	2	3	0	2	3	0	2	68
15L	1050MA		4	0	4	3	0	3	3	0	3	3	0	3	3	0	3	4	0	2	4	0	3	4	0	2	102
20L	1050MA	48AR BSX-II-3	4	0	4	3	0	3	3	0	3	3	0	3	3	0	3	4	0	2	4	0	3	4	0	3	152
25L	1200MA		4	0	4	3	0	3	3	0	3	3	0	3	3	0	3	4	0	2	5	0	3	5	0	3	172
30L	1200MA	64AR BSX-II-4	5	0	5	4	0	4	3	0	4	4	0	4	4	0	3	5	0	3	5	0	4	5	0	4	230
35L	1400MA		5	0	5	4	0	4	4	0	4	4	0	4	4	0	4	5	0	3	5	0	4	5	0	4	263

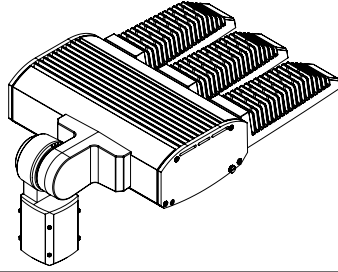
BSX-II ARRAY ROADWAY LED Specifications

BSX-II Array Features



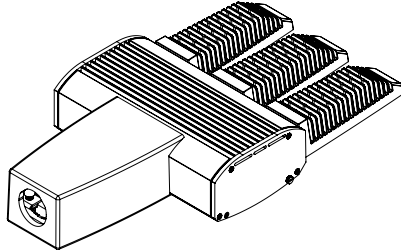
BSX-II Array Mounting Options

Knuckle Mount



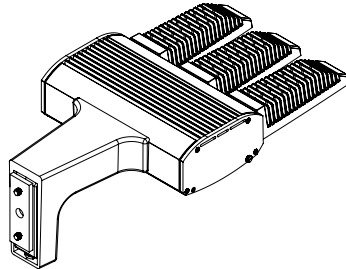
An adjustable knuckle slip fits over a 2 3/8" Tenon, and allows for up to 90° degrees of vertical adjustment in 10° degree increments from horizontal, as well as full side to side adjustment with the knuckle mount.

Mast Arm Mount



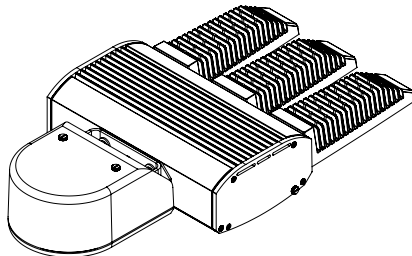
Mast Arm Fitter fits over a 2 3/8" tenon.

Arm Mount



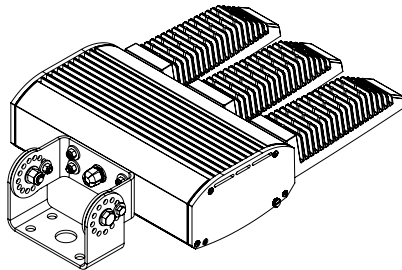
The Bolt -On Arm (BOA) utilizes a 2 piece cleat system for easy installation. A Round Pole Plate Adaptor (RPP) is required for mounting to round poles.

Post Top Mount



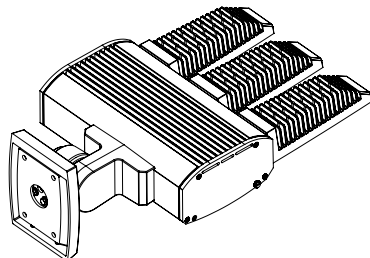
Post Top fits over a 2 3/8" tenon and is adjustable up to 45°.

Trunnion Mount



Trunnion Mount is adjustable up to 180°.

Wall Mount

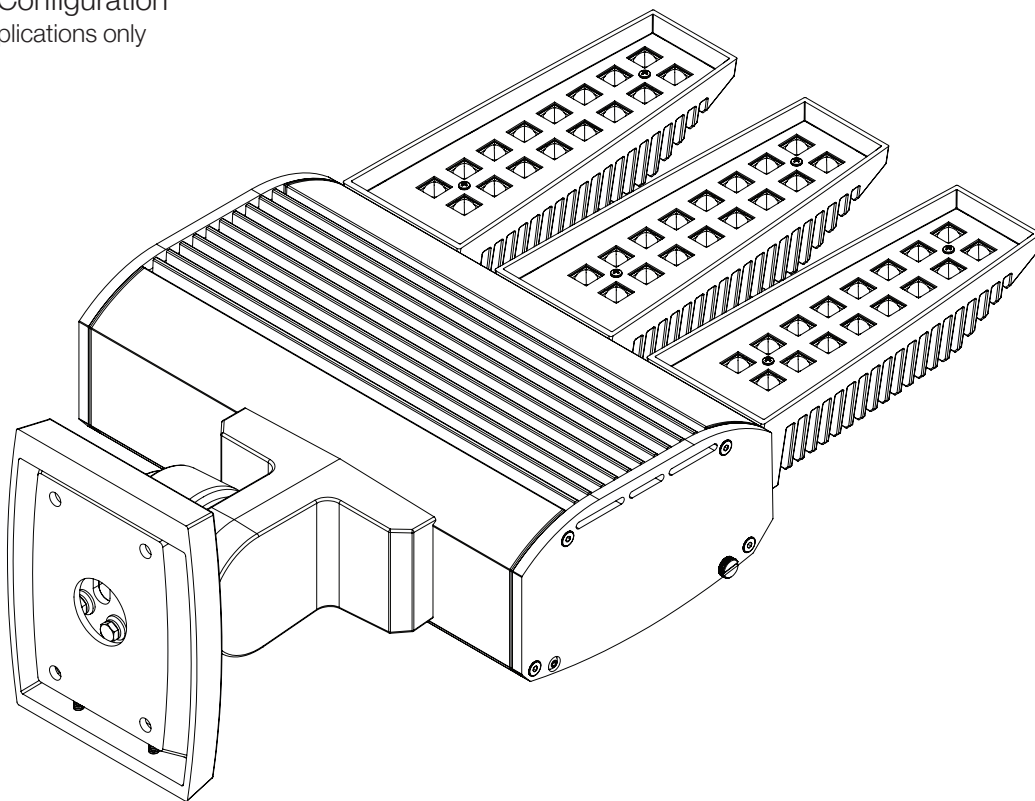


Wall Mount is adjustable up to 90°.

BSX-II ARRAY ROADWAY LED Specifications

Up-Light Configuration

*Indoor applications only



Up-Light Configuration with Photocell

*Indoor applications only

