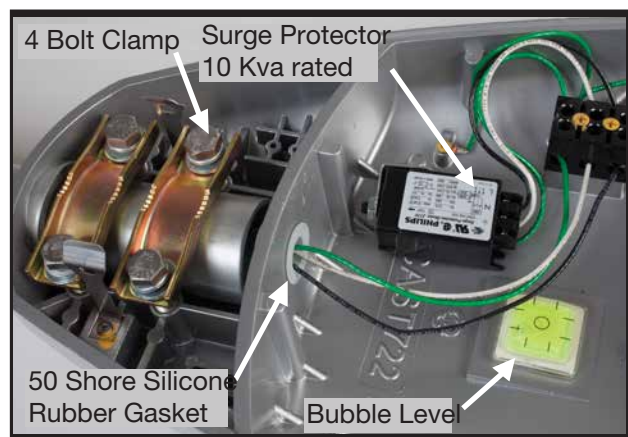


Roadway LX - Installation Instructions

SPECIFICATIONS

- Corrosion Resistant Cast Aluminum Body
- Dimensions W 16" L 31" H 5"
- Weight 24 Lb EPA = 0.822 Ft²



BEFORE YOU BEGIN

- Read these instructions completely and carefully.
- Save these instructions for future use.



WARNING

- To avoid possible risk of fire or shock turn off power prior to installation or maintenance preferably at circuit breaker.
- Product must be installed following all NEC and local Electrical Codes.

UNPACKING

- This luminaire has been properly packaged so that no damage shall occur during transportation.
- Inspect and confirm

1. INSTALLATION

- Open tool-less access clips and gently swing service door downward.
- Loosen the four 1/2"-13 hex head bolts holding the two clamp brackets enough to slide luminaire deep, until arm rest on steps that would sit between the mast arm and pipe clamps.
- Run electrical feed wires to inside of luminaire terminal block.

Fig. A

2. LEVELING

- Using the different step heights, adjust the luminaire and using the bubble level (see Fig. B).
- Confirm that the luminaire is properly leveled

Fig. B

3. SECURING

- Tighten both sets of pipe clamp bolts to fully secure the luminaire to the pole, using recommended torque 180 to 240 in-lbf (15 to 20 ft-lbf / 20 to 27 N-m).

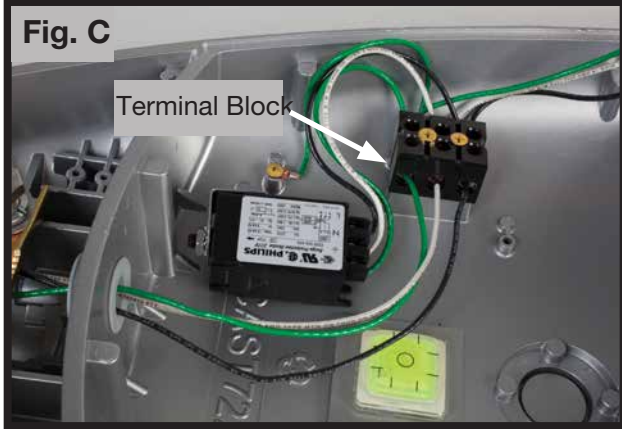


CAUTION

- Prevent over torque damage.
- Do not over torque nuts and bolts.



Roadway LX - Installation Instructions



4. AC CONNECTION

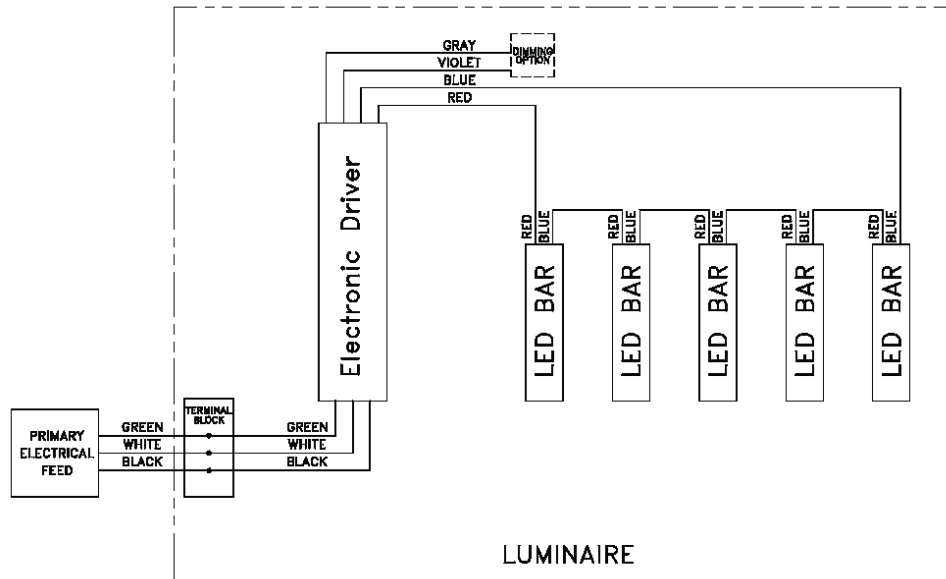
- Verify existing input voltage and select matching voltage accordingly.
- Make all electrical connections in accordance with national and local electrical code using the Provided terminal block (see Fig. C).
- Connect primary electrical feed wires

#8 Solid copper (typical)

N = Typically White

G = Typically Green

L1 = Typically Black



5. FINAL ASSEMBLY

- Close door verifying that gasket is seated properly and tool-less access clips are properly engaged (see Fig. D).



CAUTION

- Risk of injury. LED light source achieves full intensity immediately upon being power
- Do not look directly at LED light source while energized.



WARNING

- Visionaire Lighting can not and will not be liable for any modifications and/or result of modification to electrical devices or luminaires.

