



***BOW
Collection***



BOW-Collection

The BOW LED Series of unique, bold fixtures takes current LED fixture design to a new level. A complete family of LED lighting fixtures for complete design flexibility. Clean lines and a new look with the BOW-Collection; complemented by striking design details, reflect the modern eye for functionality; all with extreme rugged construction. In the world of outdoor lighting, the BOW-Collection stands out with its own brand of structure, helping each customer realize your lighting vision.

The new contemporary form flows into simple shapes energized with metallic finishes and subtle textures. In every detail, our products are made to go together in both form and function. Our advanced features are made to create great results, easily. You will make a statement with the quality of construction, design and energy-efficient technology.

The BOW-Collection of LED products offers three sizes of area lighting products, from 16 to 256 LED's with a full range of optical distribution patterns. Add to that offering; a complete line of wall mounted products; ranging from 32 to 64 LEDs. A stylish bollard family is available in single or double configurations that allows for ground or pedestrian applications. For interior applications, the BOW High Bay offers up to 256 LED Arrays in a high lumen package, built to endure tough environmental conditions.



**Cross Bow
LED Luminaire**

BOW SX-II Array
LED Luminaire



BOW LX-II Array
LED Luminaire

Cross Bow
LED Bollard



Bow
LED Luminaire



BOW High Bay
LED Luminaire





BOW LX-II Array - LED Luminaire



The BOW LX-II Array LED Luminaire from Visionaire combines unique contemporary design with the latest LED Array technology and provides optimum lighting and energy savings over traditional lighting systems. 3, 4, 6 or 8 independent die-cast light engines allow use of up to 1400 mA drivers. The dedicated heat sink for each LED array maximizes its thermal management characteristics; allowing for long life of the LED Arrays and maximum light output.

The BOW LX-II Array LED series leads the way with its innovative design and adjustable mounting style. This is an LED outdoor lighting series that will provide value for many years to come.

Construction

- All aluminum construction throughout provides lasting durability for the BOW LX-II Array LED series
- 3, 4, 6 or 8 die-cast light engines with external fins, for maximum heat dissipation for long life of the LEDs.
- A separate extruded aluminum driver compartment allows for cooler operation and longer life of the driver(s).

LED Technology

- 96, 128, 192 or 256 LED Arrays available in 530, 700, 1050, 1200 or 1400 mA ratings.
- 3000, 4000 or 5000 Kelvin for natural or white light.
- Full cutoff optics available in nine distribution patterns.
- Minimum of 75,000 hours of life for the LEDs

Applications

The BOW LX-II Array LED series can be used for a variety of lighting projects such as general area lighting, shopping centers and automobile dealerships. Choose the BOW LX-II Array LED series for your next lighting project.



BLX-II ARRAY LED Specifications

BLX-II-4 Arm Mount W/Decorative Shroud Shown



Project Name:

Catalog Number:

Type:

The new BOW LX II Array LED Series continues the unique contemporary design inspired by the sleek styling of the BOW family. Separating the extruded aluminum driver housing and the individual die-cast aluminum linear LED engines: optimize the life of the LEDs and the Driver(s), and maximizes the lumen output of the fixture. The adjustable knuckle allows for up to 90° degrees of vertical adjustment for putting the light exactly where you need it.

Each of the individual LED light engines come with 32 LED Arrays; for a max total of 256 LED Arrays.

A unique Type 4-A automotive distribution pattern is available for the front rows of Auto Dealerships. Available in 3000, 4000 or 5000 Kelvin temperature.

A durable polyester powder coat finish is guaranteed for five years; and is available in standard or custom colors.

The BOW LX II Array LED series is an exceptional choice for auto dealerships, shopping centers, commercial parking lots and general area lighting.

Ordering Information

MODEL	OPTICS	LUMENS	KELVIN	VOLTAGE	MOUNTING	FINISH	OPTIONS	OPTIONS
BLX-II-3	T1 Type 1	20L	3K 3000K	UNV *120-277V	PT Post Top	GY Grey	PCR-120 Photocell & Receptacle	RPP Round Pole Plate Adaptor For 3"Ø - 5"Ø Pole
	T2 Type 2	25L	4K 4000K	8 347V	MA Mast Arm Fitter	SL Silver Metallic	PCR-208 Photocell & Receptacle	UPMA-S Universal Square Pole Mount Adaptor
	T3 Type 3	30L	5K 5000K	5 480V	KM Knuckle Mount	BK Black	PCR-240 Photocell & Receptacle	UPMA-R Universal Round Pole Mount Adaptor
	T3L Type 3 Long	35L			BOA Bolt-On Arm	SBK Smooth Black	PCR-277 Photocell & Receptacle	DS Decorative Shroud
BLX-II-4	T4 Type 4	40L			AM Arm Mount	WH White	PCR-480 Photocell & Receptacle	ROT-R Rotated Optics Right Side
	T4L Type 4 Long	45L			Extended arm is needed for the BLX-6 & BLX-8 in D9, T9, T120 & QD configurations	SWH Smooth White	PER 3 Pin Photo Receptacle w/shorting cap	ROT-L Rotated Optics Left Side
	T4A Type 4 Automotive	50L			TM Trunnion Mount	BZ Bronze	5PINPER 5 Pin Photo Receptacle w/shorting cap	
	T5SR Type 5 Short Round	55L			WM Wall Mount	GP Graphite	7PINPER 7 Pin Photo Receptacle w/shorting cap	
BLX-II-6	T5LR Type 5 Long Round	60L			AWM Adjustable Wall Mount	CC Custom Color	Requires Dimming Driver	
	T5LS Type 5 Long Square	65L			BLX-II-3 & BLX-II-4 Only		DIM 0-10v Dimming Driver *No Controls	
		70L			BAWP Bolt-On Arm Wall Plate		WSC-8 Motion Sensor 8' Mounting Height	
		80L			Adjustable Wall Mount BLX-II-3 & BLX-II-4 Only		WSC-20 Motion Sensor 9'20" Mounting Height	
BLX-II-8		90L			BAWP-XL Bolt-On Arm Wall Plate-XL		WSC-40 Motion Sensor 21'40" Mounting Height	
		100L			*BLX-3 & BLX-4 only		This option will require (1) FSIR 100 remote for programming	
		110L			BLX-6 & BLX-8 only		VWC Visionaire Wireless Controls *Consult Factory	

Housing

- The LED light engines are constructed of heavy-duty, die-cast aluminum, with external heat radiating fins.

Driver Compartment

- The separate driver housing is constructed of 6063 T5 extruded aluminum alloy, with machined aluminum end covers and stainless steel fasteners for easy access to the LED driver(s) allowing for cooler operation and longer driver life. One-piece gasketing is utilized throughout the fixture for a weather tight IP66 rating.

Thermal Management

- The BOW LX II Array Series provides excellent overall thermal management by maximizing the fixture's heat sink capabilities. This enables the BOW LX II Array Series to withstand higher ambient temperatures and drive currents without degrading LED life.
- The L70 test determines the point in an LEDs life when it reaches 70 percent of its initial output. The BOW LX II Array Series LEDs have been determined to last a minimum of 100,000 hours in 25°C environments when driven at 350 mA.

Optical System

- The highest lumen output, LEDs are utilized in the BOW LX II Series. IES distribution Types I, II, III, III-L, IV, IV-L, IV-A, VSR, VLR & VLS are available. LED light engines come in multiples of 32 LED Arrays.
- CRI values are 70.

New LED Array Technology

- 4 Diodes now replace a single Led chip and operate at 25% of the drive current allowing for higher efficiency, less heat and longer life. (10 Year Warranty)
- More LEDs at a lower drive current provides a more comfortable visual effect.

Quali-Guard® Finish

- The finish is a Quali-Guard® textured, chemically pretreated through a multiple-stage washer, electrostatically applied, thermoset polyester powder coat finish, with a minimum of 3-5 millimeter thickness. Finish is oven-baked at 400 °F to promote maximum adherence and finish hardness. All finishes are available in standard and custom colors. Finish is guaranteed for five (5) years.

Mounting

- An adjustable knuckle slip fits over a 2 3/8" Tenon, and allows for up to 90° degrees of vertical adjustment in 10° degree increments from horizontal, as well as full side to side adjustment with the knuckle mount.
- The Bolt -On Arm (BOA) utilizes a 2 piece cleat system for easy installation. A Round Pole Plate Adaptor (RPP) is required for mounting to round poles.
- Mast Arm Fitter fits over a 2 3/8" tenon.
- Post Top fits over a 2 3/8" tenon and is adjustable up to 45°.
- Trunnion Mount is adjustable up to 45°
- Adjustable Wall Mount BLX-II-3 & BLX-II-4 Only
- Bolt-On Arm Wall Plate
- Bolt-On Arm Wall Plate-XL

Electrical Assembly

- The BOW LX II Array Series is supplied with a choice of 350, 530, 700, or 1050 mA, 1200 mA and 1400 mA high-performance LED drivers, that accept 120v thru 480v, 50 Hz to 60 Hz, input. Power factor of 95%. Rated for -40 °C to +55 °C operations.
- Power factor of 90%.
- THD less than or equal to 20%
- 10 kV surge protector supplied as standard.
- 0-10v Dimming Driver supplied as standard.

Warranty

- Ten (10) year Limited Warranty on electrical components, Five (5) year on finish. For full warranty information, please visit visionairelighting.com.

Options

- Photocell & Receptacle
- Photo Receptacle
- Round pole plate adaptor
- Motion Sensor
- Pole Mounted Motion Sensor
- Universal Pole Mount Adaptor (BLX-II-3, BLX-II-4 & BLX-II-6 Only)
- Decorative Shroud
- Wireless Controls
- Rotated Optics

Listings

- BOW LX II Array Series is UL listed, suitable for wet locations
- LM79 and LM80
- RoHS compliant
- Meets ANSI C136.31-2010 3G Vibration Standards for:
 - Knuckle Mount
 - Mast Arm Mount
 - Post Top Mount
 - Trunnion Mount
- Powder Coated Tough™
- IP-66 Rated

DesignLights Consortium (DLC) qualified Product. Some configurations of this product family may not be DesignLights Consortium (DLC) listed, please refer to the DLC qualified products list to confirm listed configurations. <http://www.designlights.org/>

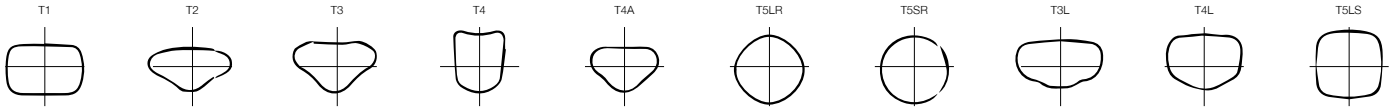
3000K must be selected with a fixed mount for IDA certification.



BLX-II ARRAY LED Specifications

Photometric Optical Summary

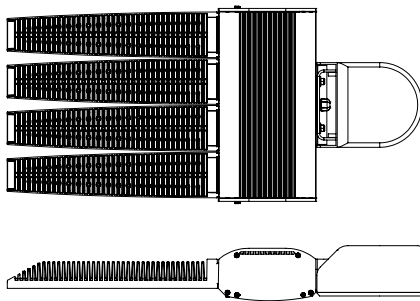
Not all optics are available on all fixtures. Check ordering chart for availability



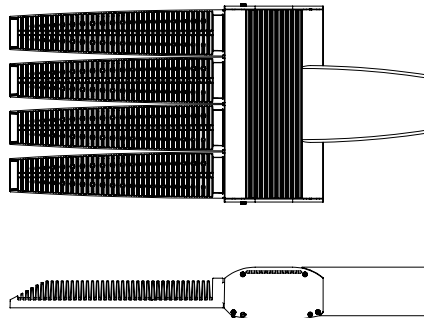
Dimensions

Post Top	Mast Arm	Knuckle Mount	Bolt-On Arm	Trunnion
Width: BLX-II-3 15" BLX-II-4 17" BLX-II-6 28" BLX-II-8 33"	Width: BLX-II-3 15" BLX-II-4 17" BLX-II-6 28" BLX-II-8 33"	Width: BLX-II-3 15" BLX-II-4 17" BLX-II-6 28" BLX-II-8 33"	Width: BLX-II-3 15" BLX-II-4 17" BLX-II-6 28" BLX-II-8 33"	Width: BLX-II-3 15" BLX-II-4 17" BLX-II-6 28" BLX-II-8 33"
Depth: BLX-II-3 36" BLX-II-4 36" BLX-II-6 36" BLX-II-8 36"	Depth: BLX-II-3 36" BLX-II-4 36" BLX-II-6 36" BLX-II-8 36"	Depth: BLX-II-3 37" BLX-II-4 37" BLX-II-6 37" BLX-II-8 37"	Depth: BLX-II-3 34" BLX-II-4 34" BLX-II-6 34" BLX-II-8 34"	Depth: BLX-II-3 33" BLX-II-4 33" BLX-II-6 33" BLX-II-8 33"
Height: BLX-II-3 6" BLX-II-4 6" BLX-II-6 6" BLX-II-8 6"	Height: BLX-II-3 5" BLX-II-4 5" BLX-II-6 5" BLX-II-8 5"	Height: BLX-II-3 5" BLX-II-4 5" BLX-II-6 5" BLX-II-8 5"	Height: BLX-II-3 5"/9" BLX-II-4 5"/9" BLX-II-6 5"/9" BLX-II-8 5"/9"	Height: BLX-II-3 5" BLX-II-4 5" BLX-II-6 5" BLX-II-8 5"

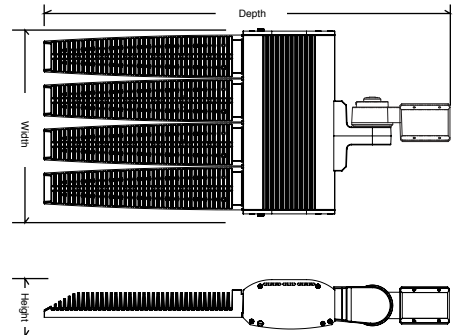
Post Top



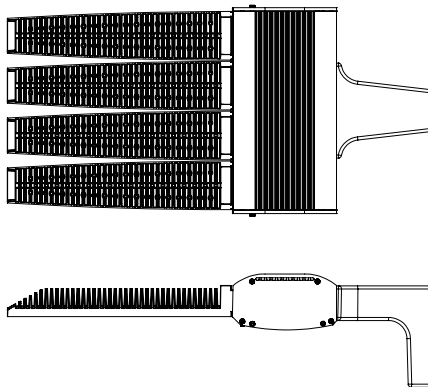
Mast Arm



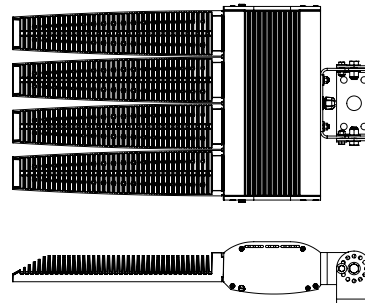
Knuckle Mount



Bolt-On Arm



Trunnion Mount



BLX-II EPA Data				
Tilt Deg.	BLX-II-3	BLX-II-4	BLX-II-6	BLX-II-8
0	.7	.7	.8	1.1
10	.71	.9	1.2	1.6
20	1.02	1.3	1.8	2
30	1.32	1.7	2.4	3.1
40	1.62	2.1	3	3.9
50	1.86	2.4	3.4	4.5
60	2.07	2.6	3.8	5
70	2.21	2.8	4.1	5.4
80	2.29	2.9	4.3	5.7
90	2.30	3	4.5	6.1
Weight				
BLX-II	45 LBS	54 LBS	68 LBS	96 LBS

BLX II 3K LUMEN DATA													
Lumens	Current	LEDs	T1	T2	T3	T3L	T4	T4L	T4A	T5RS	T5RL	T5SL	Watts
20L	530	96AR BLX-II-3	19826	19730	19363	18445	19548	18628	19648	19862	19207	19943	149
25L	600		22801	22690	22268	21059	22481	21268	22596	22842	22089	22935	174
30L	700		25776	25651	25174	23673	25415	23908	25544	25823	24970	25928	200
35L	900		31806	31651	31062	29502	31360	29795	31519	31863	30811	31993	252
40L	1050		37835	37651	36951	35331	37304	35682	37494	37903	36652	38057	305
45L	1200		41993	41788	41012	38106	41404	38485	41614	42069	40680	42240	346
50L	1400		47673	47441	46559	42713	47004	43138	47243	47759	46183	47953	397
55L	1050	128AR BLX-II-4	48977	48738	47832	47107	48290	47577	48535	49065	47446	49265	407
60L	1200		55896	55623	54590	50808	55112	51314	55392	55996	54149	56225	456
65L	1300		59695	59404	58300	53879	58858	54415	59157	59803	57829	60046	498
70L	1400		63495	63185	62011	56950	62604	57517	62922	63609	61510	63868	541
80L	1000	192AR BLX-II-6	66978	66651	65413	59004	66039	59591	66374	67098	64884	67372	508
90L	1100		84116	83706	82150	73436	82936	74168	83357	84267	81486	84610	653
100L	1300		95189	94725	92965	80819	93854	81623	94331	95360	92213	95748	743
110L	1400		100910	100419	98553	85426	99495	86275	100001	101092	97756	101504	793
120L	1100	256AR BLX-II-8	110628	110089	108043	97915	109077	98890	109631	110827	107170	111279	861
130L	1200		117112	116541	114376	101615	115470	102627	116056	117323	113451	117801	905
145L	1400		133266	132616	129400	113902	130638	115034	131302	132734	129100	134049	1102
BLX II 4K LUMEN DATA													
20L	530	96AR BLX-II-3	21956	21849	21443	20426	21648	20629	21758	21995	21270	22085	149
25L	600		25251	25127	24661	23321	24896	23553	25023	25296	24461	25399	174
30L	700		28545	28406	27878	26216	28145	26477	28288	28596	27653	28713	200
35L	900		35222	35050	34399	32761	34728	32996	34905	35285	34121	35429	252
40L	1050		41899	41695	40920	39126	41312	39515	41522	41975	40590	42146	305
45L	1200		46504	46277	45417	42200	45852	42619	46085	46588	45050	46777	346
50L	1400		52794	52537	51560	47301	52054	47771	52318	52889	51144	53104	397
55L	1050	128AR BLX-II-4	54238	53973	52970	52168	53477	52687	53749	54335	52542	54557	407
60L	1200		61900	61598	60454	56265	61032	56826	61342	62012	59965	62264	456
65L	1300		66108	65785	64563	59667	65181	60261	65512	66227	64041	66496	498
70L	1400		70315	69973	68672	63068	69329	63695	69681	70442	68117	70729	541
80L	1000	192AR BLX-II-6	74173	73811	72440	65342	73132	65992	73504	74306	71854	74609	508
90L	1100		93151	92697	90975	81325	91845	82135	92312	93319	90240	93699	653
100L	1300		105414	104900	102951	89500	103936	90391	104464	105604	102119	106034	743
110L	1400		111750	111206	109139	94602	110183	95543	110743	111951	108257	112407	793
120L	1100	256AR BLX-II-8	129692	129060	126662	108433	127873	109513	128523	129925	125638	130455	905
130L	1200		122512	121915	119649	112531	120794	113652	121407	122732	118682	123232	861
145L	1400		147581	146862	143300	126137	144671	127391	145406	146992	142968	148449	1102
Visit www.visionairelighting.com for up-to-the-minute chart information, including types not listed here. *For 5K multiply 4K values by 1.0													

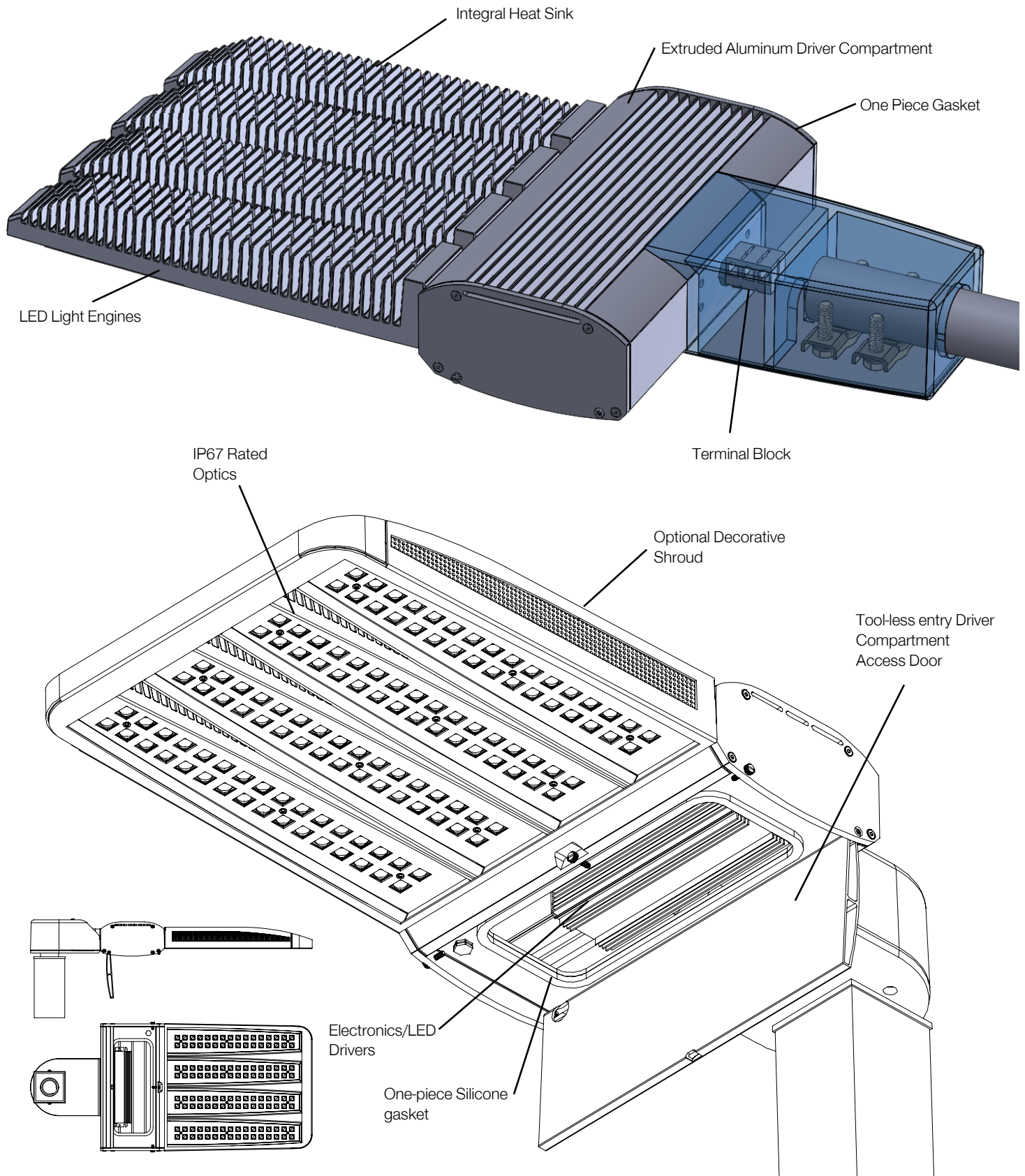
BLX-II ARRAY LED Specifications

BLX II 3K LPW DATA													
Lumens	Current	LEDs	T1	T2	T3	T3L	T4	T4L	T4A	T5RS	T5RL	T5SL	Watts
20L	530	96AR BLX-II-3	133	133	130	124	131	125	132	134	129	134	149
25L	600		131	130	128	121	129	122	130	131	127	132	174
30L	700		129	129	126	119	127	120	128	129	125	130	200
35L	900		126	125	123	117	124	118	125	126	122	127	252
40L	1050		124	123	121	116	122	117	123	124	120	125	305
45L	1200		122	121	119	110	120	111	120	122	118	122	346
50L	1400		120	120	117	108	118	109	119	120	116	121	397
55L	1050	128AR BLX-II-4	120	120	118	116	119	117	119	121	117	121	407
60L	1200		123	122	120	111	121	113	121	123	119	123	456
65L	1300		120	119	117	108	118	109	119	120	116	120	498
70L	1400		117	117	115	105	116	106	116	118	114	118	541
80L	1000	192AR BLX-II-6	132	131	129	116	130	117	131	132	128	133	508
90L	1100		129	128	126	112	127	114	128	129	125	130	653
100L	1300		128	128	125	109	126	110	127	128	124	129	743
110L	1400		127	127	124	108	125	109	126	127	123	128	793
120L	1100	256AR BLX-II-8	128	128	125	114	127	115	127	129	124	129	861
130L	1200		129	129	126	112	128	113	128	130	125	130	905
145L	1400		121	120	117	103	119	104	119	120	117	122	1102
BLX II 4K LPW DATA													
20L	530	96AR BLX-II-3	148	147	144	137	146	139	146	148	143	149	149
25L	600		145	144	142	134	143	135	144	145	140	146	174
30L	700		143	142	140	131	141	133	142	143	139	144	200
35L	900		140	139	136	130	138	131	138	140	135	140	252
40L	1050		137	137	134	128	135	129	136	137	133	138	305
45L	1200		135	134	131	122	133	123	133	135	130	135	346
50L	1400		133	132	130	119	131	120	132	133	129	134	397
55L	1050	128AR BLX-II-4	133	133	130	128	131	130	132	134	129	134	407
60L	1200		136	135	133	123	134	125	134	136	131	137	456
65L	1300		133	132	130	120	131	121	131	133	128	133	498
70L	1400		130	129	127	117	128	118	129	130	126	131	541
80L	1000	192AR BLX-II-6	146	145	143	129	144	130	145	146	141	147	508
90L	1100		143	142	139	124	141	126	141	143	138	143	653
100L	1300		142	141	139	120	140	122	141	142	137	143	743
110L	1400		141	140	138	119	139	120	140	141	136	142	793
120L	1100	256AR BLX-II-8	143	143	140	120	141	121	142	144	139	144	905
130L	1200		142	142	139	131	140	132	141	142	138	143	861
145L	1400		134	133	130	114	131	116	132	133	130	135	1102
<small>Visit www.visionairelighting.com for up-to-the-minute chart information, including types not listed here. *For 5K multiply 4K values by 1.0</small>													

BLX II 3K BUG DATA																																	
Lumens	Current	LEDs	T1			T2			T3			T3L			T4			T4L			T4A			T5RS			T5RL			T5SL			Watts
			B	U	G	B	U	G	B	U	G				B	U	G				B	U	G	B	U	G	B	U	G	B	U	G	
20L	530	96AR BLX-II-3	4	0	4	3	0	3	3	0	3	3	0	5	3	0	3	3	0	4	3	0	3	4	0	2	4	0	3	5	0	3	149
25L	600		4	0	4	3	0	3	3	0	3	3	0	5	3	0	4	3	0	5	3	0	3	4	0	2	5	0	3	5	0	3	174
30L	700		5	0	5	3	0	3	3	0	4	4	0	5	3	0	4	3	0	5	3	0	3	4	0	2	5	0	4	5	0	3	200
35L	900		5	0	5	4	0	4	3	0	4	4	0	5	4	0	4	4	0	5	4	0	3	5	0	3	5	0	4	5	0	4	252
40L	1050		5	0	5	4	0	4	4	0	4	4	0	5	4	0	5	4	0	5	4	0	4	5	0	3	5	0	5	5	0	4	305
45L	1200		5	0	5	4	0	4	4	0	5	4	0	5	4	0	5	4	0	5	4	0	4	5	0	4	5	0	5	5	0	4	346
50L	1400		5	0	5	4	0	4	4	0	5	4	0	5	4	0	5	4	0	5	4	0	4	5	0	4	5	0	5	5	0	5	397
55L	1050		128AR BLX-II-4	5	0	5	4	0	4	4	0	5	5	0	5	4	0	5	4	0	5	4	0	4	5	0	4	5	0	5	5	0	5
60L	1200	5		0	5	5	0	5	4	0	5	5	0	5	5	0	5	4	0	5	5	0	4	5	0	4	5	0	5	5	0	5	456
65L	1300	5		0	5	5	0	5	5	0	5	5	0	5	5	0	5	5	0	5	5	0	4	5	0	4	5	0	5	5	0	5	498
70L	1400	5		0	5	5	0	5	5	0	5	5	0	5	5	0	5	5	0	5	5	0	4	5	0	5	5	0	5	5	0	5	541
80L	1000	192AR BLX-II-6	5	0	5	5	0	5	5	0	5	5	0	5	5	0	5	5	0	5	5	0	4	5	0	5	5	0	5	5	0	5	508
90L	1100		5	0	5	5	0	5	5	0	5	5	0	5	5	0	5	5	0	5	5	0	5	5	0	5	5	0	5	5	0	5	653
100L	1300		5	0	5	5	0	5	5	0	5	5	0	5	5	0	5	5	0	5	5	0	5	5	0	5	5	0	5	5	0	5	743
110L	1400		5	0	5	5	0	5	5	0	5	5	0	5	5	0	5	5	0	5	5	0	5	5	0	5	5	0	5	5	0	5	793
120L	1100	256AR BLX-II-8	5	0	5	5	0	5	5	0	5	5	0	5	5	0	5	5	0	5	5	0	5	5	0	5	5	0	5	5	0	5	861
130L	1200		5	0	5	5	0	5	5	0	5	5	0	5	5	0	5	5	0	5	5	0	5	5	0	5	5	0	5	5	0	5	905
145L	1400		5	0	5	5	0	5	5	0	5	5	0	5	5	0	5	5	0	5	5	0	5	5	0	5	5	0	5	5	0	5	1102
BLX II 4K BUG DATA																																	
20L	530	96AR BLX-II-3	4	0	4	3	0	3	3	0	3	3	0	5	3	0	3	3	0	4	3	0	3	4	0	2	5	0	3	5	0	3	149
25L	600		5	0	5	3	0	3	3	0	4	4	0	5	3	0	4	3	0	5	3	0	3	4	0	2	5	0	4	5	0	3	174
30L	700		5	0	5	4	0	4	3	0	4	4	0	5	3	0	4	3	0	5	3	0	3	5	0	3	5	0	4	5	0	4	200
35L	900		5	0	5	4	0	4	4	0	4	4	0	5	4	0	5	4	0	5	4	0	4	5	0	3	5	0	4	5	0	4	252
40L	1050		5	0	5	4	0	4	4	0	5	4	0	5	4	0	5	4	0	5	4	0	4	5	0	4	5	0	5	5	0	4	305
45L	1200		5	0	5	4	0	4	4	0	5	4	0	5	4	0	5	4	0	5	4	0	4	5	0	4	5	0	5	5	0	5	346
50L	1400		5	0	5	5	0	4	4	0	5	5	0	5	5	0	5	4	0	5	5	0	4	5	0	4	5	0	5	5	0	5	397
55L	1050		128AR BLX-II-4	5	0	5	5	0	5	4	0	5	5	0	5	5	0	5	4	0	5	5	0	4	5	0	4	5	0	5	5	0	5
60L	1200	5		0	5	5	0	5	5	0	5	5	0	5	5	0	5	5	0	5	5	0	4	5	0	4	5	0	5	5	0	5	456
65L	1300	5		0	5	5	0	5	5	0	5	5	0	5	5	0	5	5	0	5	5	0	4	5	0	5	5	0	5	5	0	5	498
70L	1400	5		0	5	5	0	5	5	0	5	5	0	5	5	0	5	5	0	5	5	0	5	5	0	5	5	0	5	5	0	5	541
80L	1000	192AR BLX-II-6	5	0	5	5	0	5	5	0	5	5	0	5	5	0	5	5	0	5	5	0	5	5	0	5	5	0	5	5	0	5	508
90L	1100		5	0	5	5	0	5	5	0	5	5	0	5	5	0	5	5	0	5	5	0	5	5	0	5	5	0	5	5	0	5	653
100L	1300		5	0	5	5	0	5	5	0	5	5	0	5	5	0	5	5	0	5	5	0	5	5	0	5	5	0	5	5	0	5	743
110L	1400		5	0	5	5	0	5	5	0	5	5	0	5	5	0	5	5	0	5	5	0	5	5	0	5	5	0	5	5	0	5	793
120L	1100	256AR BLX-II-8	5	0	5	5	0	5	5	0	5	5	0	5	5	0	5	5	0	5	5	0	5	5	0	5	5	0	5	5	0	5	861
130L	1200		5	0	5	5	0	5	5	0	5	5	0	5	5	0	5	5	0	5	5	0	5	5	0	5	5	0	5	5	0	5	905
145L	1400		5	0	5	5	0	5	5	0	5	5	0	5	5	0	5	5	0	5	5	0	5	5	0	5	5	0	5	5	0	5	1102

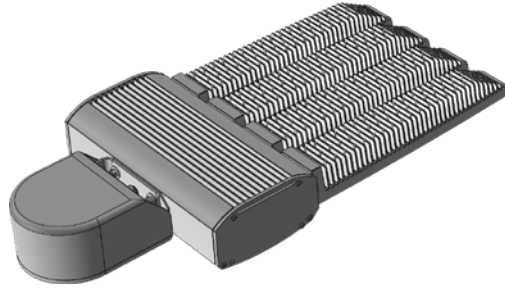
BLX-II ARRAY LED Specifications

BLX Features



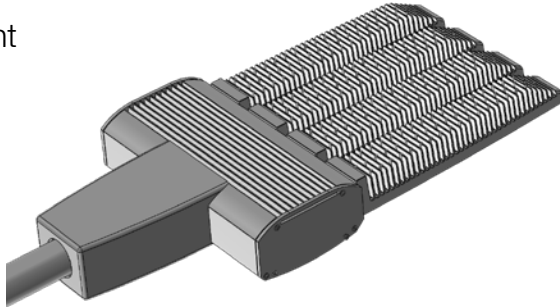
BLX-II Mounting Options

Post Top Mount



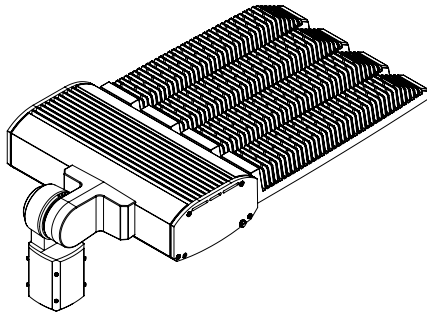
Post Top fits over a 2" - 2-3/8" tenon and is adjustable up to 45 degrees.

Mast Arm Mount



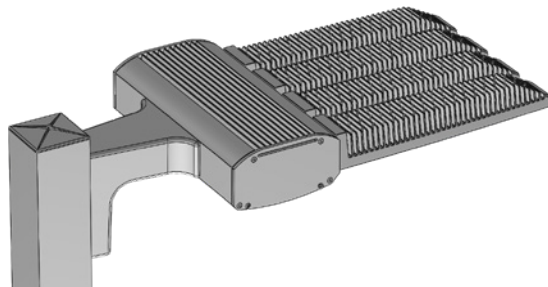
Mast Arm Fitter fits over a 2" - 2-3/8" tenon.

Knuckle Mount



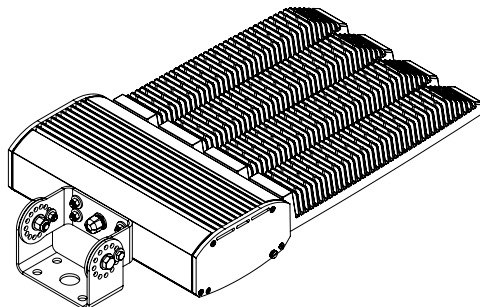
An adjustable knuckle slip fits over a 2-3/8" Tenon, and allows for up to 90 degrees of vertical adjustment in 10 degree increments from horizontal, as well as full side to side adjustment with the knuckle mount.

Arm Mount



The Bolt -On Arm (BOA) utilizes a 2 piece cleat system for easy installation. A Round Pole Plate Adaptor (RPP) is required for mounting to round poles.

Trunnion Mount



Trunnion Mount is adjustable up to 90 degrees.



BOW SX - II ARRAY LED Luminaire



The new BOW SX-II Array LED Series offers clean, functional styling that is defined by its sleek low profile design and rugged construction. It combines the latest LED Array performance and advanced LED thermal management technology, and provides lighting that is both energy efficient and aesthetically pleasing. Choose from 32 to 64 LED Arrays, that looks perfect with any of the LED Array configurations; thereby enabling the lighting designer to tailor the lighting to the application needs; while maintaining a uniform appearance throughout the entire project.

For general wall mount and pedestrian areas, the BOW SX-II Array LED series brings contemporary LED lighting design into the 21st century.

Fixture Construction

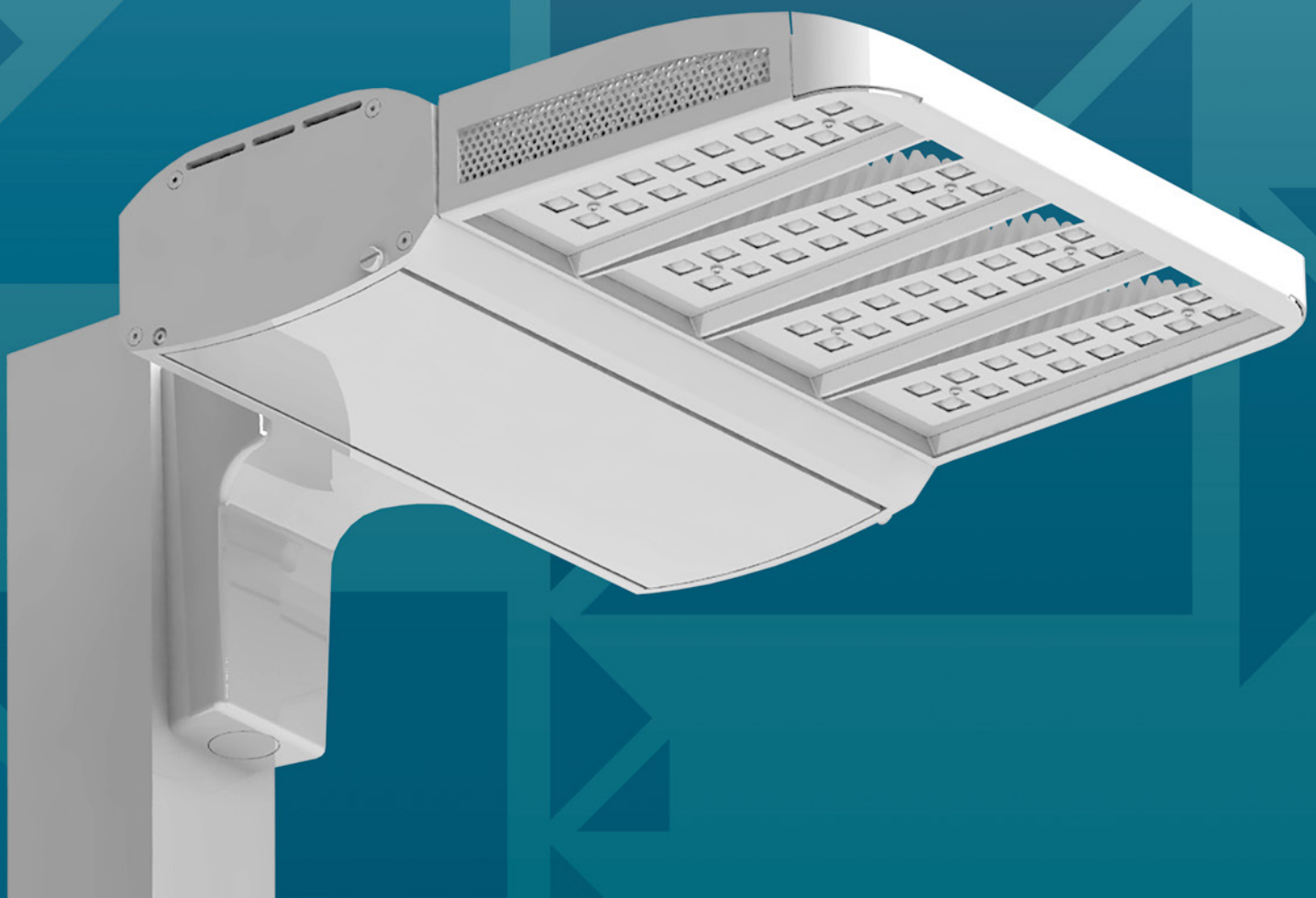
- Die Cast Aluminum light engines and extruded aluminum driver housing with integrated thermal heat sink for maximum thermal management of the LED Arrays for extreme long life of the LEDs.
- Engineered optical assemblies with seven distribution patterns.

LED Technology

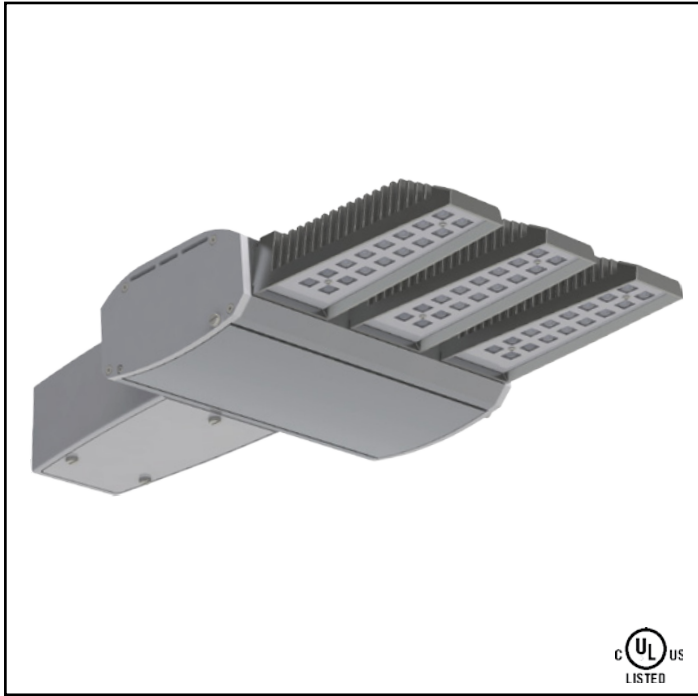
- 32 to 64 LED Arrays
- 350, 530, 700, 1050, 1200 or 1400 mA ratings.
- 3000, 4000 or 5000 Kelvin for natural or white light.
- Full cutoff optics available in seven distribution patterns.
- 69,000 to 126,000 hours or more of life for the LEDs

Applications

- The BOW SX-II Array LED Series is destined to become the standard for which LED area lights are measured. Simple flowing lines that house scalable LED Arrays that replace traditional HID fixtures; for a wide range of lighting applications. From shopping centers, auto dealerships to general parking lots; the BOW SX-II Array LED series is the transition of LED lighting into tomorrow.



BSX-II ARRAY LED Specifications



Project Name:

Catalog Number:

Type:

The new BOW SX-II ARRAY LED Series continues the unique contemporary design inspired by the sleek styling of the BOW family. Separating the extruded aluminum driver housing and the individual die-cast aluminum linear LED engines: optimize the life of the LEDs and the Driver(s), and maximizes the lumen output of the fixture. The adjustable knuckle allows for up to 90° degrees of vertical adjustment for putting the light exactly where you need it.

Each of the individual LED light engines come with 16 LED Arrays; for a max total of 64 LED Arrays. Ten optical distribution patterns are available.

A unique Type 4-A automotive distribution pattern is available for the front rows of Auto Dealerships. Available in 3000, 4000, 5000 or 5700 Kelvin temperature.

A durable polyester powder coat finish is guaranteed for five years; and is available in standard or custom colors.

The BOW SX-II ARRAY LED series is an exceptional choice for auto dealerships, shopping centers, commercial parking lots and general area lighting.

Ordering Information

MODEL	OPTICS	LUMENS	KELVIN	VOLTAGE	MOUNTING	FINISH	OPTIONS	OPTIONS
BSX-II-2	T1 Type 1	5L	3K 3000K	UNV *120/277V	PT Post Top	GY Grey	PCR-120 Photocell & Receptacle	RPP Round Pole Plate Adaptor For 3'0" - 5'0" Pole
	T2 Type 2	10L	4K 4000K	8 347V	MA Mast Arm Fitter	SL Silver Metallic	PCR-208 Photocell & Receptacle	UPMA-S Universal Square Pole Mount Adaptor
	T3 Type 3	15L	5K 5000K	5 480V	KM Knuckle Mount	BK Black	PCR-240 Photocell & Receptacle	UPMA-R Universal Round Pole Mount Adaptor
BSX-II-3	T3L Type 3 Long	20L			BOA Bolt-On Arm	SBK Smooth Black	PCR-277 Photocell & Receptacle	DS Decorative Shroud
	T4 Type 4	25L			TM Trunnion Mount	WH White	PCR-480 Photocell & Receptacle	ROT-R Rotated Optics Right Side
BSX-II-4	T4L Type 4 Long	30L			WM Wall Mount	SWH Smooth White	PER 3 Pin Photo Receptacle w/shorting cap	ROT-L Rotated Optics Left Side
	T4A Type 4 Automotive	35L			AWM Adjustable Wall Mount	BZ Bronze	5PINPER 5 Pin Photo Receptacle w/shorting cap Requires Dimming Driver	UP Uplight Configuration *Indoor Applications Only
	T5SR Type 5 Short Round					GP Graphite	7PINPER 7 Pin Photo Receptacle w/shorting cap Requires Dimming Driver	
	T5LR Type 5 Long Round					CC Custom Color	DIM 0-10v Dimming Driver *No Controls	
	T5LS Type Long Square						WSC-8 Motion Sensor 8' Mounting Height	
							WSC-20 Motion Sensor 9'20" Mounting Height	
							WSC-40 Motion Sensor 21'40" Mounting Height This option will require (1) FSIR 100 remote for programming	
							VWC Visionaire Wireless Controls *Consult Factory	

Housing

- The LED light engines are constructed of heavy-duty, die-cast aluminum, with external heat radiating fins.

Driver Compartment

- The separate driver housing is constructed of extruded aluminum, with vented cast aluminum end covers and stainless steel fasteners; for easy access to the LED driver(s); allowing for cooler operation and longer driver life. One-piece gasketing is utilized throughout the fixture for weather tight operation.

Thermal Management

- The BOW SX-II ARRAY Series provides excellent overall thermal management by maximizing the fixture's heat sink capabilities. This enables the BOW SX-II ARRAY Series to withstand higher ambient temperatures and drive currents without degrading LED life.
- The L70 test determines the point in an LEDs life when it reaches 70 percent of its initial output. The BOW SX-II ARRAY Series LEDs have been determined to last a minimum of 100,000 hours in 25°C environments when driven at 350 mA.

Optical System

- The highest lumen output, LEDs are utilized in the BOW SX II Series. IES distribution Types I, II, III, IV, IV-A, VSR, VLR and VLS are available. LED light engines come in multiples of 32 LED Arrays.
- CRI values are 70.

New LED Array Technology

- 4 Diodes now replace a single Led chip and operate at 25% of the drive current allowing for higher efficiency, less heat and longer life. (10 Year Warranty)
- More LEDs at a lower drive current provides a more comfortable visual effect.

Quali-Guard® Finish

- The finish is a Quali-Guard® textured, chemically pretreated through a multiple-stage washer, electrostatically applied, thermoset polyester powder coat finish, with a minimum of 3-5 millimeter thickness. Finish is oven-baked at 400 °F to promote maximum adherence and finish hardness. All finishes are available in standard and custom colors. Finish is guaranteed for five (5) years.

Mounting

- An adjustable knuckle slip fits over a 2 3/8" Tenon, and allows for up to 90° degrees of vertical adjustment in 10° degree increments from horizontal, as well as full side to side adjustment with the knuckle mount.
- The Bolt -On Arm (BOA) utilizes a 2 piece cleat system for easy installation. A Round Pole Plate Adaptor (RPP) is required for mounting to round poles.
- Mast Arm Fitter fits over a 2 3/8" tenon.
- Post Top fits over a 2 3/8" tenon and is adjustable up to 45°.
- Trunnion Mount is adjustable up to 45°
- Adjustable Wall Mount

Electrical Assembly

- The BOW SX-II ARRAY Series is supplied with a choice of 350, 530, 700, or 1050 mA, 1200 mA and 1400 mA high-performance LED drivers, that accept 120v thru 480v, 50 Hz to 60 Hz, input. Power factor of 95%. Rated for -40 °C to +55 °C operations.
- Power factor of 90%.
- THD less than or equal to 20%
- 10 kV surge protector supplied as standard.
- 0-10v Dimming Driver supplied as standard.

Warranty

- Ten (10) year Limited Warranty on electrical components, Five (5) year on finish. For full warranty information, please visit visionairelighting.com.

Options

- Photocell & Receptacle
- Photo Receptacle
- Round pole plate adaptor
- Motion Sensor
- Pole Mounted Motion Sensor
- Universal Pole Mount Adaptor
- Decorative Shroud
- Wireless Controls
- Rotated Optics

Listings

- BOW SX-II ARRAY Series is UL listed, suitable for wet locations
- LM79 and LM80
- RoHS compliant
- Meets ANSI C136.31-2010 3G Vibration Standards
- Powder Coated Tough™
- IP-65 Rated

DesignLights Consortium (DLC) qualified Product. Some configurations of this product family may not be DesignLights Consortium (DLC) listed, please refer to the DLC qualified products list to confirm listed configurations. <http://www.designlights.org/>
3000K must be selected with a fixed mount for IDA certification.



BSX-II ARRAY LED Specifications

Photometric Optical Summary

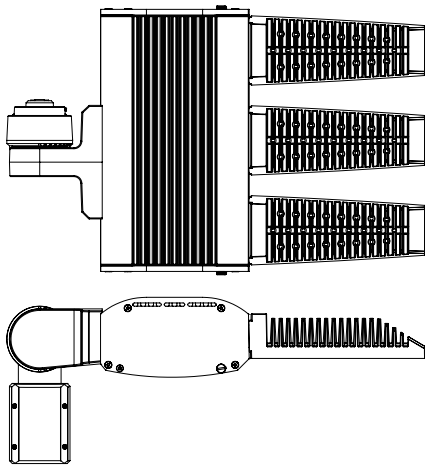
Not all optics are available on all fixtures. Check ordering chart for availability

Type I (T1)	Type II (T2)	Type III (T3)	Type IV (T4)	Type IVA (T4A)	Type VRS (T5RS)	Type VRL (T5RL)
						

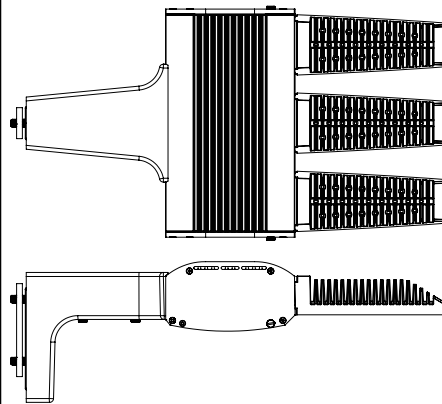
Dimensions

Knuckle Mount		Bolt-On Arm		Mast Arm		Post Top		Trunnion Mount		Trunnion Mount	
Width:	BSX-II-2 15" BSX-II-3 15" BSX-II-4 17"	Width:	BSX-II-2 15" BSX-II-3 15" BSX-II-4 17"	Width:	BSX-II-2 15" BSX-II-3 15" BSX-II-4 17"	Width:	BSX-II-2 15" BSX-II-3 15" BSX-II-4 17"	Width:	BSX-II-2 15" BSX-II-3 15" BSX-II-4 17"	Width:	BSX-II-2 15" BSX-II-3 15" BSX-II-4 17"
Depth:	BSX-II-2 29" BSX-II-3 29" BSX-II-4 29"	Depth:	BSX-II-2 27" BSX-II-3 27" BSX-II-4 27"	Depth:	BSX-II-2 28" BSX-II-3 28" BSX-II-4 28"	Depth:	BSX-II-2 27" BSX-II-3 27" BSX-II-4 27"	Depth:	BSX-II-2 25" BSX-II-3 25" BSX-II-4 25"	Depth:	BSX-II-2 25" BSX-II-3 25" BSX-II-4 25"
Height:	BSX-II-2 5" BSX-II-3 5" BSX-II-4 5"	Height:	BSX-II-2 9" BSX-II-3 9" BSX-II-4 9"	Height:	BSX-II-2 5" BSX-II-3 5" BSX-II-4 5"	Height:	BSX-II-2 5" BSX-II-3 5" BSX-II-4 5"	Height:	BSX-II-2 5" BSX-II-3 5" BSX-II-4 5"	Height:	BSX-II-2 8" BSX-II-3 8" BSX-II-4 8"

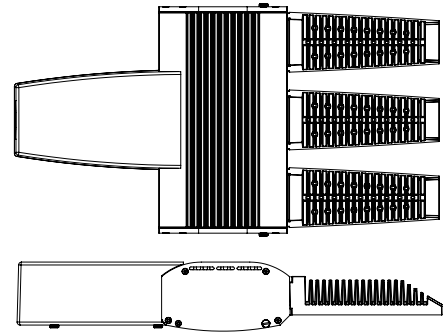
Knuckle Mount



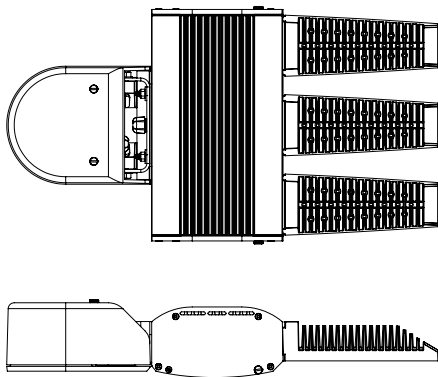
Bolt-On Arm



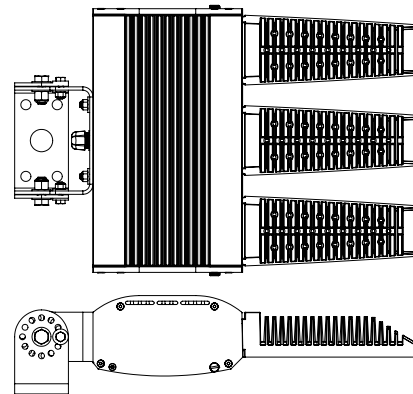
Mast Arm



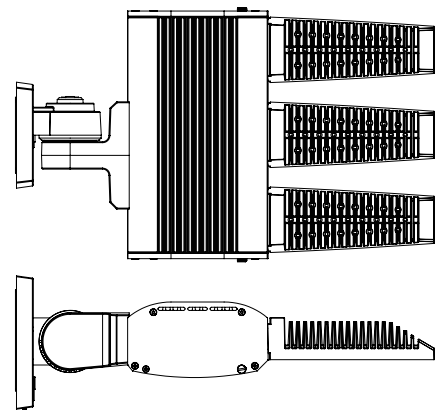
Post Top Mount



Trunnion Mount



Adjustable Wall Mount



BSX 3K LUMEN DATA											
LUMENS	Current	LEDs	T1	T2	T3	T4	T4A	T5SR	T5LR	T5LS	Watts
5L	350	32AR BSX-II-2	4752	4744	4645	4640	4699	4763	4581	4759	33
10L	700		9021	9006	8818	8809	8920	9042	8696	9033	68
15L	1050		13180	13159	12884	12871	13032	13210	12706	13198	102
20L	1050	48AR BSX-II-3	20065	20032	19613	19593	19840	20111	19342	20092	152
25L	1200		22359	22323	21856	21834	22109	22411	21554	22390	172
30L	1200	64AR BSX-II-4	29432	29384	28770	28740	29102	29499	28372	29473	230
35L	1400		33133	33079	32388	32355	32761	33209	31940	33179	263

BSX 4K LUMEN DATA											
5L	350	32AR BSX-II-2	5263	5254	5144	5139	5204	5275	5073	5270	33
10L	700		9990	9974	9765	9755	9878	10013	9630	10004	68
15L	1050		14596	14572	14268	14253	14432	14629	14071	14616	102
20L	1050	48AR BSX-II-3	22220	22184	21720	21698	21971	22271	21420	22251	152
25L	1200		24761	24721	24204	24180	24483	24818	23870	24796	172
30L	1200	64AR BSX-II-4	32593	32540	31860	31828	32228	32668	31420	32638	230
35L	1400		36692	36632	35867	35830	36280	36776	35371	36743	263

BSX 5K LUMEN DATA											
5L	350	32AR BSX-II-2	5263	5254	5144	5139	5204	5275	5213	5270	33
10L	700		9990	9974	9765	9755	9878	10013	9630	10004	68
15L	1050		14596	14572	14268	14253	14432	14629	14071	14616	102
20L	1050	48AR BSX-II-3	22220	22184	21720	21698	21971	22271	21420	22251	152
25L	1200		24761	24721	24204	24180	24483	24818	23870	24796	172
30L	1200	64AR BSX-II-4	32593	32540	31860	31828	32228	32668	31420	32638	230
35L	1400		36692	36632	35867	35830	36280	36776	35371	36743	263

BSX-II EPA Data			BSX-II Weight			
Tilt Deg.	BSX-2	BSX-3	BSX-4	BSX-2	BSX-3	BSX-4
0	.58	.58	.59	16 LBS	21 LBS	26 LBS
10	.58	.62	.77			
20	.62	.82	1.02			
30	.76	1.02	1.28			
40	.9	1.2	1.53			
50	1.01	1.36	1.75			
60	1.11	1.5	1.93			
70	1.14	1.6	2.06			
80	1.19	1.66	2.13			
90	1.21	1.68	2.14			

BSX-II ARRAY LED Specifications

BSX 3K LPW DATA											
LUMENS	Current	LEDs	T1	T2	T3	T4	T4A	T5SR	T5LR	T5LS	Watts
5L	350	32AR BSX-II-2	144	143	140	140	142	144	138	144	33
10L	700		134	133	131	131	132	134	129	134	68
15L	1050		129	129	126	126	128	129	124	129	102
20L	1050	48AR BSX-II-3	132	132	129	129	131	133	128	133	152
25L	1200		130	130	127	127	129	130	125	130	172
30L	1200	64AR BSX-II-4	128	128	125	125	126	128	123	128	230
35L	1400		126	126	123	123	124	126	121	126	263
BSX 4K LUMEN DATA											
5L	350	32AR BSX-II-2	159	159	155	155	157	159	153	159	33
10L	700		148	148	145	145	146	148	143	148	68
15L	1050		143	143	140	139	141	143	138	143	102
20L	1050	48AR BSX-II-3	147	146	143	143	145	147	141	147	152
25L	1200		144	144	141	141	142	144	139	144	172
30L	1200	64AR BSX-II-4	141	141	138	138	140	142	136	142	230
35L	1400		139	139	136	136	138	140	134	140	263
BSX 5K LUMEN DATA											
5L	350	32AR BSX-II-2	159	159	155	155	157	159	157	159	33
10L	700		148	148	145	145	146	148	143	148	68
15L	1050		143	143	140	139	141	143	138	143	102
20L	1050	48AR BSX-II-3	147	146	143	143	145	147	141	147	152
25L	1200		144	144	141	141	142	144	139	144	172
30L	1200	64AR BSX-II-4	141	141	138	138	140	142	136	142	230
35L	1400		139	139	136	136	138	140	134	140	263

VSX 3K BUG DATA																											
LUMENS	Current	LEDs	T1			T2			T3			T4			T4A			T5SR			T5LR			T5LS			Watts
			B	U	G	B	U	G	B	U	G	B	U	G	B	U	G	B	U	G	B	U	G	B	U	G	
5L	350MA	32AR BSX-II-2	2	0	2	1	0	1	1	0	1	1	0	1	1	0	1	2	0	1	3	0	1	3	0	1	33
10L	700MA		3	0	3	2	0	2	2	0	2	2	0	2	2	0	2	3	0	1	3	0	2	3	0	2	68
15L	1050MA		4	0	4	3	0	3	2	0	2	3	0	3	2	0	2	3	0	2	4	0	3	4	0	2	102
20L	1050MA	48AR BSX-II-3	4	0	4	3	0	3	3	0	3	3	0	3	3	0	3	4	0	2	4	0	3	4	0	2	152
25L	1200MA		4	0	4	3	0	3	3	0	3	3	0	3	3	0	3	4	0	2	4	0	3	4	0	3	172
30L	1200MA	64AR BSX-II-4	5	0	5	4	0	4	3	0	4	3	0	4	4	0	3	5	0	3	5	0	4	5	0	3	230
35L	1400MA		5	0	5	4	0	4	3	0	4	4	0	4	4	0	3	5	0	3	5	0	4	5	0	4	263
VSX 4K BUG DATA																											
5L	350MA	32AR BSX-II-2	3	0	3	1	0	1	1	0	1	1	0	1	1	0	1	2	0	1	3	0	2	3	0	1	33
10L	700MA		3	0	3	2	0	2	2	0	2	2	0	2	2	0	2	3	0	2	3	0	2	3	0	2	68
15L	1050MA		4	0	4	3	0	3	3	0	3	3	0	3	3	0	3	4	0	2	4	0	3	4	0	2	102
20L	1050MA	48AR BSX-II-3	4	0	4	3	0	3	3	0	3	3	0	3	3	0	3	4	0	2	4	0	3	4	0	3	152
25L	1200MA		4	0	4	3	0	3	3	0	3	3	0	3	3	0	3	4	0	2	5	0	3	5	0	3	172
30L	1200MA	64AR BSX-II-4	5	0	5	4	0	4	3	0	4	4	0	4	4	0	3	5	0	3	5	0	4	5	0	4	230
35L	1400MA		5	0	5	4	0	4	4	0	4	4	0	4	4	0	4	5	0	3	5	0	4	5	0	4	263
VSX 5K BUG DATA																											
5L	350MA	32AR BSX-II-2	3	0	3	1	0	1	1	0	1	1	0	1	1	0	1	2	0	1	3	0	2	3	0	1	33
10L	700MA		3	0	3	2	0	2	2	0	2	2	0	2	2	0	2	3	0	2	3	0	2	3	0	2	68
15L	1050MA		4	0	4	3	0	3	3	0	3	3	0	3	3	0	3	4	0	2	4	0	3	4	0	2	102
20L	1050MA	48AR BSX-II-3	4	0	4	3	0	3	3	0	3	3	0	3	3	0	3	4	0	2	4	0	3	4	0	3	152
25L	1200MA		4	0	4	3	0	3	3	0	3	3	0	3	3	0	3	4	0	2	5	0	3	5	0	3	172
30L	1200MA	64AR BSX-II-4	5	0	5	4	0	4	3	0	4	4	0	4	4	0	3	5	0	3	5	0	4	5	0	4	230
35L	1400MA		5	0	5	4	0	4	4	0	4	4	0	4	4	0	4	5	0	3	5	0	4	5	0	4	263



Bow LED Garage Luminaire



The Bow LED luminaire from Visionaire simplifies the task of selecting the best solution for LED parking garage lighting.

Simple

- Two key components, the driver housing and the linear LED Arrays are used to complete the Bow.
- Separating the driver housing and the linear LEDs optimizes the operational life of the LEDs and the Driver(s).
- Bow LED fixtures can be mounted without opening the driver housing. Simple right? See the Speed Mount Bracket™ on page 7.

Linear

- Why is the Bow linear in shape? The linear separation of the LED Arrays in the Bow minimizes the heat transfer between individual LEDs.
- Pre-cast concrete parking structures have linear coffers. The Bow LED compliments this linear structure creating an integrated lighting effect and high performance output.
- With two LED Light Engines in each fixture, the perceived light coverage is maximized for the parking structure pedestrian and driver.

Efficient

- Six different lumen packages combined with optics perfected for parking garage applications make the Bow LED an efficiency machine.
- Minimizing the part count as mentioned above keeps the initial fixture costs efficiently low.
- Foot-candle levels are uniform at 30'x30' spacing and greater in many cases.
- Cast aluminum construction with an IP66 rating ensures years of maintenance free illumination.
- Lighting control options enhance the energy savings already in place with the Bow Array LED luminaire.

4



SIZE 1

6



SIZE 2

5



9



BOW LED Specifications



Project Name:

Catalog Number:

Type:

The Bow LED luminaire from Visionaire, simplifies the task of selecting the best solution for LED parking garage lighting. The linear design of the luminaire, compliments the linear design of the pre-cast concrete coffers; creating an integrated lighting effect; and maximizes the perceived lighting coverage. It is an ideal replacement for the high-maintenance fluorescent fixtures of yesterday.

The LED light engines are die-cast aluminum with external heat radiating fins for maximum heat dissipation; and is available in two sizes with either 32 or 64 LEDs. The separate cast aluminum driver compartment allows the driver to operate cooler for long life. Available for pendant mounting, wall mounting or choose the shallow speed mount bracket.

Six optical distribution patterns are available. Choose between 3000, 4000 or 5000 Kelvin temperature of the LEDs.

A durable polyester powder coat finish is guaranteed for five years; and is available in standard or custom colors.

The Bow LED series is an exceptional choice for parking garage lighting and other ceiling mount applications.

Ordering Information

MODEL	OPTICS	SOURCE	CURRENT	KELVIN	VOLTAGE	MOUNTING	FINISH	OPTIONS
BOW-1	T1	32LC	3 350mA	3K 3000K	UNV *120-277V	SMB Speed Mount Bracket Ceiling Mount	BZ Bronze	WSC-8 Motion Sensor 8' Mounting Height
BOW-2	T2	64LC	5 530mA	4K 4000K	8 347V	PM12 Pendant Mount 12"	BK Black	WSC-20 Motion Sensor 9-20' Mounting Height
	T3		7 700mA	5K 5000K	5 480V	PM24 Pendant Mount 24"	SBK Smooth Black	WSC-40 Motion Sensor 21-40' Mounting Height This option will require (1) FSIR 100 remote for programming
	T4		10 1050mA *Not available in 64LC			PM36 Pendant Mount 36"	WH White	MS Motion Sensor On/Off
	T5					WM Wall Mount	SWH Smooth White	DIM 0-10v Dimming Driver
	T5W					UPL12 Up Light Mount 12"	GP Graphite	VWC Visionaire Wireless Controls *Consult Factory
					UPL24 Up Light Mount 24"	GY Grey	EBPL Emergency Battery Pack	
					UPL36 Up Light Mount 36"	SL Silver Metallic	BD Bird Deterrent Pendant Mount Only	
					Up Light Pendant Mount for indoor applications only.	CC Custom Color	LDL Lightly Diffused Lens	

Housing

The separate driver housing is constructed of cast aluminum with a cast aluminum cover with captive fasteners; for easy access to the LED driver; allowing for cooler operation and longer life.

Silicone gasketing is utilized throughout the fixture for weather tight operation.

Thermal Management

The BOW Series provides excellent overall thermal management by maximizing the fixture's dual heat sink capabilities. This enables the Bow Series to withstand higher ambient temperatures and drive currents without degrading LED life. The BOW Series has a low thermal resistance rating. The heat radiating fins create superior thermal dissipation.

The L70 test determines the point in an LEDs life when it reaches 70 percent of its initial output. The BOW Series LEDs have been determined to last a minimum of 100,000 hours in 25 °C environments when driven at 350 mA.

Optical System

The highest lumen output LEDs are utilized in the BOW Series. IES distribution Types I, II, III, IV, V and VW are available. LED light assemblies come in multiples of 16 or 32 LEDs.

CRI values are 70.

Quali-Guard® Finish

A Quali-Guard® thermoset polyester powder coat painted finish is available in standard and custom colors.

Mounting

A galvanized steel ceiling mount bracket can be secured directly to a recessed junction box, or to the ceiling for surface mounting of the fixture. Mounting studs extend from the bracket for easy mounting of the housing to the ceiling mount bracket.

A cast aluminum mounting hub is supplied with a 3/8" NPT for pendant mount applications.

Electrical Assembly

The BOW Series is supplied with a choice of 350, 530, 700 or 1050mA high-performance LED drivers that accept 120v thru 480v, 50 Hz to 60 Hz, input. Power factor of 90%. Rated for -40°C to +55°C operations.

- Power factor of 90%.
- THD less than or equal to 20%
- 10 kV surge protector supplied as standard.

Warranty

Five (5) year Limited Warranty on entire system, including finish. For full warranty information, please visit visionairelighting.com.

Options

- 0-10v Dimming Driver
- Watt Stopper FSP-211
- Motion Sensor
- Wireless Control
- Emergency Battery Pack
- Bird Deterrent
- Lightly Diffused Lens

Listings

- ETL Listed
- LM79 and LM80
- RoHS compliant
- IP-66 listed
- DLC listed
- Powder Coated Tough™

Patent No. USD688403S

DesignLights Consortium (DLC) qualified Product. Some configurations of this product family may not be DesignLights Consortium (DLC) listed, please refer to the DLC qualified products list to confirm listed configurations. <http://www.designlights.org/> 3000K must be selected for IDA certification.



BOW LED Specifications

Photometric Optical Summary

Not all optics are available on all fixtures. Check ordering chart for availability

Type I
(T1)



Type II
(T2)



Type III
(T3)



Type IV
(T4)



Type V
(T5)

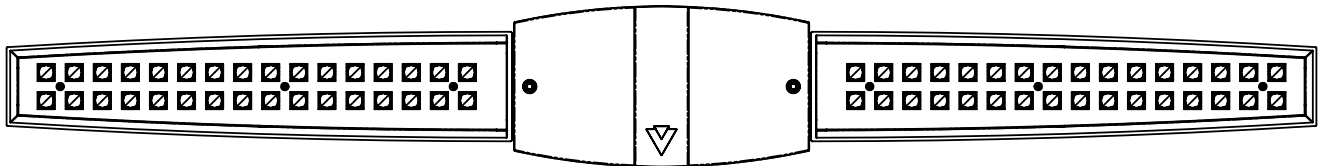
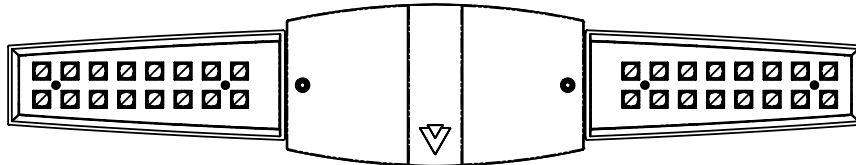
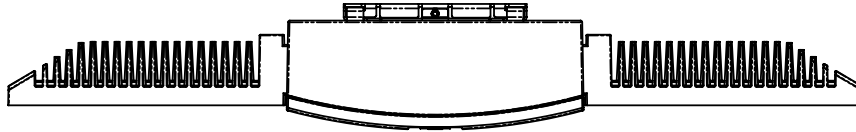


Type WW
(T5W)



Dimensions

Width:	BOW-1 4"	Width:	BOW-2 4"
Height:	BOW-1 5.5"	Height:	BOW-2 2.5"
Depth:	BOW-1 29.5"	Depth:	BOW-2 24"
Weight:	BOW-1 18 LBS	Weight:	BOW-2 22 LBS



BOW 3K Lumen Data																																
# LEDs	mA	Type 1	B	U	G	LPW	Type 2	B	U	G	LPW	Type 3	B	U	G	LPW	Type 4	B	U	G	LPW	Type 5	B	U	G	LPW	Type 5W	B	U	G	LPW	Watts
32	350	4524	2	0	2	129	4275	1	0	2	122	4282	1	0	1	122	4095	1	0	1	117	4498	2	0	1	129	4364	3	0	1	125	35
	530	6556	2	0	2	115	6195	2	0	2	108	6206	1	0	1	109	5934	1	0	2	104	6518	3	0	1	114	6325	3	0	1	111	57
	700	8343	3	0	3	112	7883	2	0	2	106	7897	1	0	2	106	7552	2	0	2	102	8295	3	0	1	111	8049	3	0	2	108	74
	1000	11450	3	0	3	105	10820	2	0	3	99	10840	2	0	2	99	10365	2	0	2	95	11385	3	0	2	104	11047	4	0	2	101	109
64	350	9102	3	0	3	124	8601	2	0	2	117	8616	1	0	2	117	8239	2	0	2	112	9050	3	0	1	123	8781	3	0	2	119	74
	530	13169	3	0	3	122	12444	3	0	3	115	12466	2	0	2	115	11921	2	0	2	110	13094	3	0	2	121	12705	4	0	2	117	108
	700	16455	3	0	3	116	15550	3	0	3	110	15577	2	0	2	110	14895	3	0	2	105	16361	4	0	2	115	15876	4	0	2	112	142
BOW 4K Lumen Data																																
32	350	4885	2	0	2	140	4616	1	0	2	132	4624	1	0	1	132	4422	1	0	1	126	4857	2	0	1	139	4713	3	0	1	135	35
	530	6907	3	0	3	121	6527	2	0	2	114	6538	1	0	1	115	6252	1	0	2	109	6867	3	0	1	120	6663	3	0	1	117	57
	700	8789	3	0	3	118	8306	2	0	2	112	8320	1	0	2	112	7956	2	0	2	107	8739	3	0	1	117	8480	3	0	2	114	74
	1000	12064	3	0	3	111	11400	3	0	3	105	11420	2	0	2	105	10920	2	0	2	100	11995	3	0	2	110	11639	4	0	2	107	109
64	350	9589	3	0	3	130	9061	2	0	3	123	9077	1	0	2	123	8680	2	0	2	118	9534	3	0	1	130	9251	3	0	2	126	74
	530	13874	3	0	3	128	13111	3	0	3	121	13134	2	0	2	121	12559	2	0	2	116	13795	3	0	2	127	13385	4	0	2	124	108
	700	17336	4	0	4	122	16382	3	0	3	116	16411	2	0	2	116	15693	3	0	3	111	17238	4	0	2	122	16726	4	0	2	118	142
BOW 5K Lumen Data																																
32	350	4570	2	0	2	131	4318	1	0	2	123	4326	1	0	1	124	4136	1	0	1	118	4543	2	0	1	130	4409	3	0	1	126	35
	530	6622	2	0	2	116	6258	2	0	2	110	6269	1	0	1	110	5994	1	0	2	105	6584	3	0	1	115	6389	3	0	1	112	57
	700	8427	3	0	3	113	7963	2	0	2	107	7977	1	0	2	107	7628	2	0	2	103	8379	3	0	1	113	8130	3	0	2	109	74
	1000	11566	3	0	3	106	10930	2	0	3	100	10949	2	0	2	100	10470	2	0	2	96	11500	3	0	2	106	11159	4	0	2	102	109
64	350	9194	3	0	3	125	8688	2	0	2	118	8703	1	0	2	118	8322	2	0	2	113	9141	3	0	1	124	8870	3	0	2	121	74
	530	13302	3	0	3	123	12570	3	0	3	116	12592	2	0	2	116	12041	2	0	2	111	13226	3	0	2	122	12833	4	0	2	119	108
	700	16622	3	0	3	117	15707	3	0	3	111	15735	2	0	2	111	15046	3	0	2	106	16527	4	0	2	117	16036	4	0	2	113	142

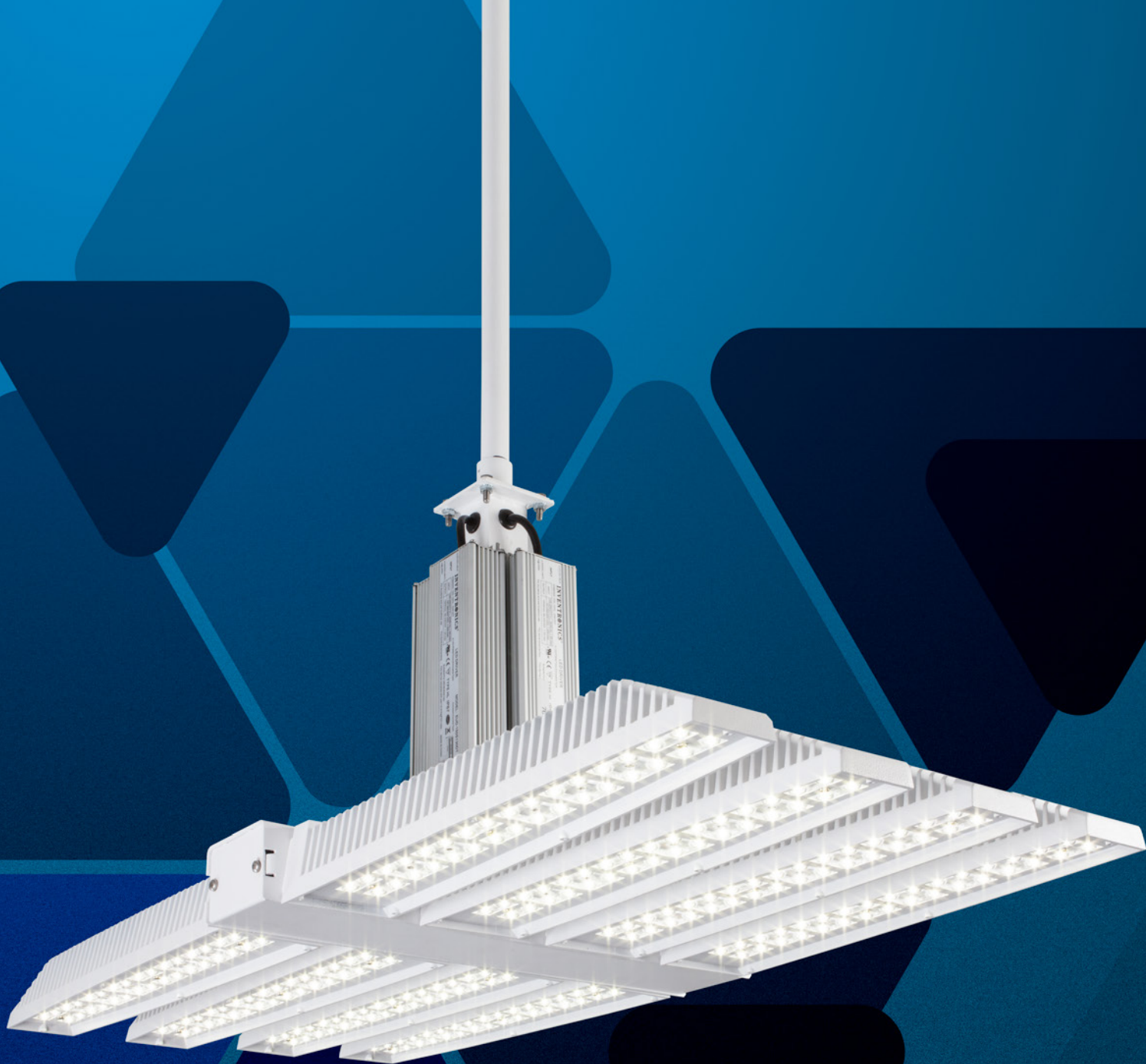
Visit www.VisionaireLighting.com for up-to-the-minute chart information, including types not listed here.

Bird Deterrent



Up Light Mount





BOW Industrial Array - LED Luminaire Series



The Industrial High and Low Bay Array LED Luminaires from Visionaire use innovative heat-sinking and cutting edge LED technology to deliver a wide range of light output that replaces 250W to 1000W HID and four to eight lamp T5/T8 high intensity fluorescent fixtures for High Bay applications depending on configuration. Choose from 2, 4, 6, or 8 independent die-cast light engines with up to 1400 mA drivers.

Choose from Aisle Wide or Diffused, or Symmetrical Narrow 40°, Symmetrical Narrow Diffused 40°, Symmetrical Medium 90°, Symmetrical Medium Diffused 90°, Symmetrical Wide 120° or Symmetrical Wide Diffused 120° optics for all your High or Low Bay applications.

Construction

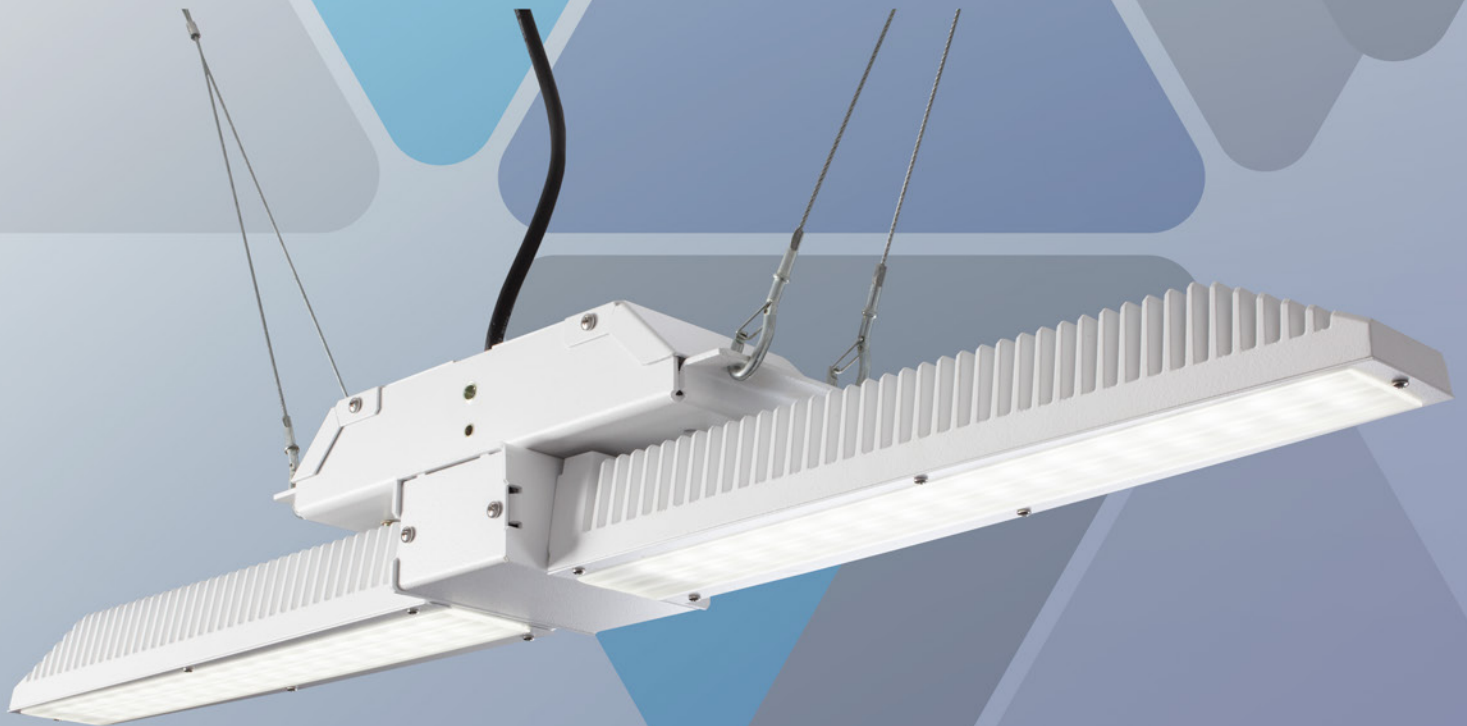
- All aluminum construction throughout provides lasting durability for the BOW Array Industrial Series.
- 2, 4, 6, or 8 die-cast light engines with external cooling fins for the Bow High Bay Array LED Luminaire
- 2 or 4 die-cast light engines for the Bow Low Bay Array
- The drivers are open to the air for cooler operation and longer life and are temperature rated for -40° C to +65° C operations.

LED Technology

- 64, 128, 192, or 256 LED Arrays available in 350, 530, 700, 1050, 1200 or 1400 mA ratings.
- 3000, 4000 or 5000 Kelvin temperature are available.
- Eight distribution patterns offered ranging from aisle to symmetric distributions.
- Minimum of 100,000+ hours of life for the LED Arrays.

Applications

- The Bow Industrial Array LED Series can be used for a variety of High Bay applications such as warehouses, factories, retail stores, and sports arenas.



BOW HIGH BAY LED Specifications



Project Name:

Catalog Number:

Type:

The NEW Visionaire BOW High Bay LED Luminaire is designed to efficiently light any large interior space such as Factories, Aircraft Hangars, Warehouses, Distribution Centers, and many other large indoor spaces with mounting heights of up to 70'. It combines the innovative design of individual heat sinks with cutting edge LED technology; and makes an ideal replacement for conventional HID and fluorescent high bay systems. This series offers higher efficacy than others in the past and can be combined with options such as wireless controls and motion sensors for even increased energy savings and virtually no maintenance costs.

The 32 LED Light engines are die-cast aluminum with external heat radiating fins for maximum heat dissipation. This innovative design uses 2, 4, 6, or 8 light engines (64 to 256 LEDs) operating with 350, 530, 700 or 1050 mA drivers. The externally mounted IP-67 Drivers operate cooler for long life and increased output. Improved thermal management of the Light Bars, allows for up to 65°C ambient temperature ratings and -40°C minimum operating temperature; and over 100,000 hours of life at L70.

Our sealed LED optics offer very uniform light distribution and are available in eight distribution patterns of Aisle Wide, Aisle Diffused, Symmetrical Narrow, Symmetrical Narrow Diffused, Symmetrical Medium, Symmetrical Medium Diffused, Symmetrical Wide and Symmetrical Wide Diffused. Choose from 3000, 4000, or 5000 Kelvin temperature of the LEDs.

Mounting options include chain or cable ready as standard; 1/2" threaded rod, and 3/4" conduit. Other options include Motion Sensors, Emergency battery pack and 10' & 15' cords.

A full five year limited warranty is included on the entire system, including the polyester powder coat finish. The NEW Bow High Bay Series makes an excellent choice for many different market applications.

Ordering Information

MODEL	OPTICS	LEDS	CURRENT	KELVIN	VOLTAGE	MOUNTING	FINISH	OPTIONS	MOUNTING ACCESSORIES
BHB-2	AW Aisle Wide	64LC	3 350mA	3K 3000K	UNV *120-277V	CBM Cable Mount	WH White	WSC-8 Motion Sensor 8' Mounting Height	YH5 Y-Cable With Hook 5' Height
BHB-4	AD Aisle Diffused	128LC	5 530mA	4K 4000K	8 347V	CBM *Cable Ordered Separately Hardware Not Included	GY Grey	WSC-20 Motion Sensor 9-20' Mounting Height	YH10 Y-Cable With Hook 10' Height
BHB-6	SN Symmetrical Narrow 40°	192LC	7 700mA	5K 5000K	5 480V	CPM 1/2" Mount *Threaded Rod and Nuts Not Included		WSC-40 Motion Sensor 21-40' Mounting Height This option will require (1) FSIR 100 remote for programming	YH15 Y-Cable With Hook 15' Height *To be ordered with CBM Mounting
BHB-8	SND Symmetrical Narrow Diffused 40°	256LC	10 1050mA			CDM 3/4" Conduit Mount *Conduit Not Included		MS-8 Motion Sensor 8' Mounting Height	HK Hook *To be ordered with 3/4" CDM Mount
	SM Symmetrical Medium 90°							MS-20 Motion Sensor 9-20' Mounting Height	
	SMD Symmetrical Medium Diffused 90°							MS-40 Motion Sensor 21-40' Mounting Height	
	SW Symmetrical Wide 120°							VWC Visionaire Wireless Controls *Consult Factory	
	SWD Symmetrical Wide Diffused 120°							EBPL Emergency Battery Pack	
								WG Wire Guard	
								10CD 10' Cord	
								15CD 15' Cord	
								DIM 0-10v Dimming Driver *Not Controls	

Housing

The LED light engines are constructed of heavy-duty, die-cast aluminum, with external heat radiating fins.

The exposed driver(s) allow for easy access and allow for cooler operation and longer life.

Thermal Management

The BOW High Bay Series provides excellent overall thermal management by maximizing the fixture's heat sink capabilities. This enables the BOW High Bay Series to withstand higher ambient temperatures and drive currents without degrading LED life. The BOW High Bay Series has a low thermal resistance rating. The heat radiating fins create superior thermal management results.

The L70 test determines the point in an LEDs life when it reaches 70 percent of its initial output. The BOW High Bay Series LEDs have been determined to last a minimum of 100,000 hours in 25 °C environments when driven at 350 mA. See LED Data Chart for additional test results.

Optical System

The highest lumen output LEDs are utilized in the BHB Series. Distribution Types include Aisle Wide, Aisle Diffused, Symmetrical Narrow 40°, Symmetrical Narrow Diffused 40°, Symmetrical Medium 90°, Symmetrical Medium Diffused 90°, Symmetrical Wide 120° and Symmetrical Wide Diffused 120°. LED light assemblies come in multiples of 32 LEDs.

CRI values are 70.

Quali-Guard® Finish

• The finish is a Quali-Guard® textured, chemically pretreated through a multiple-stage washer, electrostatically applied, thermoset polyester powder coat finish, with a minimum of 3-5 millimeter thickness. Finish is oven-baked at 400° F to promote maximum adherence and finish hardness. All finishes are available in standard and custom colors.

• Finish is guaranteed for five (5) years.

Mounting

Available standard for:

- Cable Mount
- 1/2" Mount
- 3/4" Conduit

Electrical Assembly

The BOW High Bay Series is supplied with a choice of 350, 530, 700 or 1000 mA high-performance LED drivers that accept 120v thru 480v, 50 Hz to 60 Hz, input. Power factor of 90%.

Rated for -40 °C to +65 °C temperature operations.

10 kV surge protector supplied as standard.

5' Cord as standard.

• 0-10v Dimming Driver is standard.

Warranty

• Five (5) year Limited Warranty on electrical components, Five (5) year on finish. For full warranty information, please visit visionairelighting.com.

Options

- Motion Sensor/Control Watt Stopper FSP-211
- Motion Sensor (On/Off)
- Wireless Control
- Emergency Battery Pack
- Wire Guard
- Cord

Listings

- UL/cUL listed UL 1598 Suitable for damp locations
- UL 8750 LED equipment in Lighting Products
- Powder Coated Tough™
- DLC Listed



DesignLights Consortium (DLC) qualified Product. Some configurations of this product family may not be DesignLights Consortium (DLC) listed, please refer to the DLC qualified products list to confirm listed configurations. <http://www.designlights.org/>
3000K must be selected for IDA certification.

BOW HIGH BAY LED Specifications

Photometric Optical Summary

Not all optics are available on all fixtures. Check ordering chart for availability

AW	AD	SN	SND	SM	SMD	SW	SWD
Aisle Wide	Aisle Diffused	Symmetrical Narrow 40°	Symmetrical Narrow Diffused 40°	Symmetrical Medium 90°	Symmetrical Medium Diffused 90°	Symmetrical Wide 120°	Symmetrical Wide Diffused 120°

Dimensions

Width: BHB-2 40"
 BHB-4 40"
 BHB-6 40"
 BHB-8 40"

Depth: BHB-2 6"
 BHB-4 11"
 BHB-6 15.5"
 BHB-8 20"

Height: BHB-2 19"
 BHB-4 19"
 BHB-6 19"
 BHB-8 19"

BHB-2 W/EBPL



16LBS

BHB-4 W/Motion Sensor



30LBS

BHB-6



46LBS

BHB-8



59LBS

BHB 3K Lumen Data *Lumen chart updated 11.15.17																		
# LEDs	mA	Aisle Wide	LPW	Aisle Diffused	LPW	SN 40°	LPW	SND 40°	LPW	SM 90°	LPW	SMD 90°	LPW	SW 120°	LPW	SWD 120°	LPW	Watts
64	350	10710	151	9391	132	10735	151	8547	120	10054	142	8263	116	9356	132	7970	112	71
	530	15787	144	13842	127	15824	145	12599	115	14820	135	12180	111	13791	126	11749	107	109
	700	19452	136	17056	119	19498	136	15524	108	18261	128	15007	105	16992	119	14476	101	143
	1000	29327	135	25714	118	29396	135	23405	107	27531	126	22626	104	25619	118	21825	100	218
128	350	20286	147	17787	129	20334	147	16189	117	19044	138	15650	113	17721	128	15097	109	138
	530	30203	137	26482	120	30274	138	24104	110	28353	129	23301	106	26384	120	22477	102	220
	700	37653	131	33014	115	37741	131	30049	104	35347	123	29049	101	32892	114	28021	97	288
	1000	50619	118	44382	103	50737	118	40396	94	47518	111	39052	91	44218	103	37670	88	430
192	350	31698	150	27793	131	31772	150	25297	119	29757	140	24455	115	27690	131	23589	111	212
	530	44279	141	38824	124	44383	142	35337	113	41567	133	34161	109	38680	123	32952	105	314
	700	57491	131	50408	115	57626	131	45881	104	53970	123	44354	101	50222	114	42785	97	440
	1000	77022	116	67533	101	77203	116	61468	92	72305	109	59422	89	67283	101	57319	86	666
256	350	37969	134	33291	117	38058	134	30301	107	35643	126	29292	103	33168	117	28256	99	284
	530	51443	122	45105	107	51563	122	41054	97	48292	114	39688	94	44938	106	38283	91	423
	700	69029	119	60525	105	69191	120	55089	95	64801	112	53255	92	60300	104	51371	89	579
	1000	99237	115	87011	101	99469	115	79196	92	93159	108	76560	89	86689	101	73851	86	862
BHB 4K Lumen Data																		
# LEDs	mA	Aisle Wide	LPW	Aisle Diffused	LPW	SN 40°	LPW	SND 40°	LPW	SM 90°	LPW	SMD 90°	LPW	SW 120°	LPW	SWD 120°	LPW	Watts
64	350	11274	159	9885	139	11300	159	8997	127	10583	149	8698	123	9848	139	8390	118	71
	530	16618	152	14571	133	16657	152	13262	121	15600	143	12821	117	14517	133	12367	113	109
	700	20476	143	17953	125	20524	143	16341	114	19222	134	15797	110	17887	125	15238	106	143
	1000	30871	142	27067	124	30943	142	24636	113	28980	133	23816	109	26967	124	22974	105	218
128	350	21354	155	18723	136	21404	155	17041	123	20046	145	16474	119	18654	135	15891	115	138
	530	31793	145	27876	127	31867	145	25372	115	29845	136	24528	111	27773	126	23660	108	220
	700	39635	138	34752	121	39728	138	31631	110	37207	129	30578	106	34623	120	29496	102	288
	1000	53283	124	46718	109	53408	124	42522	99	50019	116	41107	96	46545	108	39653	92	430
192	350	33366	157	29256	138	33445	158	26628	126	31323	148	25742	121	29147	137	24831	117	212
	530	46609	149	40867	130	46719	149	37197	119	43755	140	35959	115	40716	130	34686	111	314
	700	60517	138	53061	121	60659	138	48296	110	56811	129	46688	106	52865	120	45036	102	440
	1000	81076	122	71088	107	81266	122	64703	97	76110	114	62549	94	70824	106	60336	91	666
256	350	39967	141	35043	123	40061	141	31896	112	37519	132	30834	109	34913	123	29743	105	284
	530	54150	128	47479	112	54277	128	43215	102	50834	120	41776	99	47303	112	40298	95	423
	700	72662	125	63710	110	72832	126	57988	100	68212	118	56058	97	63474	110	54074	93	579
	1000	104460	121	91590	106	104705	121	83364	97	98062	114	80589	93	91251	106	77738	90	862
BHB 5K Lumen Data																		
# LEDs	mA	Aisle Wide	LPW	Aisle Diffused	LPW	SN 40°	LPW	SND 40°	LPW	SM 90°	LPW	SMD 90°	LPW	SW 120°	LPW	SWD 120°	LPW	Watts
64	350	10818	152	9486	134	10844	153	8634	122	10156	152	8346	121	9451	142	8051	117	71
	530	15947	146	13940	127	15984	146	12726	116	14970	132	12303	120	13930	123	11867	115	109
	700	19649	137	17228	120	19695	138	15681	110	18445	124	15159	113	17164	116	14622	109	143
	1000	29623	136	25974	119	29693	136	23641	108	27809	123	22854	111	25878	115	22045	108	218
128	350	20491	148	17967	130	20539	149	16353	118	19236	132	15809	119	17900	123	15249	115	138
	530	30508	139	26750	122	30580	139	24347	111	28640	132	23537	120	26651	123	22704	115	220
	700	38033	132	33348	116	38123	132	30353	105	35704	139	29342	111	33224	130	28304	107	288
	1000	51130	119	44831	104	51250	119	40804	95	47998	122	39446	97	44665	113	38050	93	430
192	350	32018	151	28074	132	32093	151	25552	121	30057	157	24702	124	27970	146	23828	120	212
	530	44726	143	39216	125	44831	143	35694	114	41987	148	34506	117	39071	138	33285	113	314
	700	58072	132	50918	116	58208	132	46344	105	54515	137	44802	109	50729	127	43217	105	440
	1000	77800	117	68215	102	77983	117	62089	93	73035	121	60022	96	67963	113	57898	93	666
256	350	38352	135	33627	118	38442	135	30607	108	36003	140	29588	111	33503	130	28541	107	284
	530	51962	123	45561	108	52084	123	41469	98	48780	127	40088	101	45392	119	38670	98	423
	700	69726	120	61136	106	69890	121	55645	96	65456	125	53793	99	60910	116	51890	96	579
	1000	100239	116	87890	102	100474	117	79996	93	94100	121	77333	96	87564	112	74597	92	862

BOW LOW BAY LED Specifications



Project Name:

Catalog Number:

Type:

The new BOW Low Bay LED Luminaire from Visionaire uses innovative heat-sinking with all aluminum construction and cutting edge LED technology to deliver a wide range of light output that replaces 250W to 1000W HID and four to eight lamp T5/T8 high intensity fluorescent fixtures for Low Bay applications. Choose from 2 or 4 independent die-cast light engines with up to 1050 mA drivers.

Our sealed LED optics offer very uniform light distribution and are available in five distribution patterns of: Aisle Wide, Aisle Diffused, Symmetrical Narrow, Symmetrical Narrow Diffused, Symmetrical Medium, Symmetrical Medium Diffused, Symmetrical Wide and Symmetrical Wide Diffused. Choose from 3000, 4000, or 5000 Kelvin temperature of the LEDs. Mounting options include chain or cable ready as standard, 1/2" threaded rod, and 3/4" conduit. Other options include Motion Sensors, Emergency battery pack and 10' & 15' cords.

2 or 4 die-cast light engines with external cooling fins, for maximum heat dissipation for long life of the LEDs. The drivers are open to the air for cooler operation. Temperature rated for -40° C to +65° C operations. Improved thermal management of the Light Bars, allows for up to 65° C ambient temperature ratings and -40° C minimum operating temperature; and over 100,000 hours of life at L70.

LED Technology
64 or 128 LEDs available in 350, 530, 700 or 1000mA ratings.
3000, 4000 or 5000 Kelvin temperature are available.

Ordering Information

MODEL	OPTICS	LEDS	CURRENT	KELVIN	VOLTAGE	MOUNTING	FINISH	OPTIONS	MOUNTING ACCESSORIES
BLB-2	AW Aisle Wide	64LC	3 350mA	3K 3000K	UNV *120-277V	CBM Cable Mount	WH White	WSC-8 Motion Sensor 8' Mounting Height	YH5 Y-Cable With Hook 5' Height
BLB-4	AD Aisle Diffused	128LC	5 530mA	4K 4000K	8 347V	* Cable Ordered Separately Hardware Not Included	GY Grey	WSC-20 Motion Sensor 9-20' Mounting Height	YH10 Y-Cable With Hook 10' Height
	SN Symmetrical Narrow 40°		7 700mA	5K 5000K	5 480V	CPM 1/2" Mount * Threaded Rod and Nuts Not Included		WSC-40 Motion Sensor 21-40' Mounting Height This option will require (1) FSR1 100 remote for programming	YH15 Y-Cable With Hook 15' Height *To be ordered with CBM Mounting
	SND Symmetrical Narrow Diffused 40°		10 1050mA			CDM 3/4" Conduit Mount * Conduit Not Included		MS-8 Motion Sensor 8' Mounting Height	HK Hook *To be ordered with 3/4" CDM Mount
	SM Symmetrical Medium 90°							MS-20 Motion Sensor 9-20' Mounting Height	
	SMD Symmetrical Medium Diffused 90°							MS-40 Motion Sensor 21-40' Mounting Height	
	SW Symmetrical Wide 120°							VWC Visionaire Wireless Controls *Consult Factory	
	SWD Symmetrical Wide Diffused 120°							EBPL Emergency Battery Pack	
								WG Wire Guard	
								10CD 10' Cord	
								15CD 15' Cord	
								DIM 0-10v Dimming Driver *Not Controls	

Housing

The LED light engines are constructed of heavy-duty, die-cast aluminum, with external heat radiating fins. The driver compartment allows for easy access, cooler operation and longer life.

Thermal Management

The BOW Low Bay Series provides excellent overall thermal management by maximizing the fixture's heat sink capabilities. This enables the BOW Low Bay Series to withstand higher ambient temperatures and drive currents without degrading LED life. The BOW Low Bay Series has a low thermal resistance rating. The heat radiating fins create superior thermal management results.

The L70 test determines the point in an LEDs life when it reaches 70 percent of its initial output. The BOW Low Bay Series LEDs have been determined to last a minimum of 100,000 hours in 25°C environments when driven at 350 mA. See LED Data Chart for additional test results.

Optical System

The highest lumen output LEDs are utilized in the BLB Series. Distribution Types include Aisle Wide, Aisle Diffused, Symmetrical Narrow 40°, Symmetrical Narrow Diffused 40°, Symmetrical Medium 90°, Symmetrical Medium Diffused 90°, Symmetrical Wide 120° and Symmetrical Wide Diffused 120°. LED light assemblies come in multiples of 32 LEDs.

CRI values are 70.

Quali-Guard® Finish

- The finish is a Quali-Guard® textured, chemically pretreated through a multiple-stage washer, electrostatically applied, thermoset polyester powder coat finish, with a minimum of 3-5 millimeter thickness. Finish is oven-baked at 400° F to promote maximum adherence and finish hardness. All finishes are available in standard and custom colors.
- Finish is guaranteed for five (5) years.

Mounting

Available standard for:

- Cable Mount
- 1/2" Threaded Rod
- 3/4" Conduit
- Trunnion Mount

Electrical Assembly

The BOW Low Bay Series is supplied with a choice of 350, 530, 700 or 1000 mA high-performance LED drivers that accept 120v thru 480v, 50 Hz to 60 Hz, input. Power factor of 90%.

Rated for -40 °C to +65 °C temperature operations.

10 kV surge protector supplied as standard.

5' Cord as standard.

- 0-10v Dimming Driver is standard.

Warranty

- Five (5) year Limited Warranty on electrical components, Five (5) year on finish. For full warranty information, please visit visionairelighting.com.

Options

- Motion Sensor/Control Watt Stopper FSP-211
- Motion Sensor (On/Off)
- Wireless Control
- Emergency Battery Pack
- Wire Guard
- Cord
- Dimming Leads

Listings

- UL/cUL listed UL 1598 Suitable for damp locations
- UL 8750 LED equipment in Lighting Products
- Powder Coated Tough™
- DLC Listed



DesignLights Consortium (DLC) qualified Product. Some configurations of this product family may not be DesignLights Consortium (DLC) listed, please refer to the DLC qualified products list to confirm listed configurations. <http://www.designlights.org/>
3000K must be selected for IDA certification.

BOW LOW BAY LED Specifications

Photometric Optical Summary

Not all optics are available on all fixtures. Check ordering chart for availability

AW Aisle Wide	AD Aisle Diffused	SN Symmetrical Narrow 40°	SND Symmetrical Narrow Diffused 40°	SM Symmetrical Medium 90°	SMD Symmetrical Medium Diffused 90°	SW Symmetrical Wide 120°	SWD Symmetrical Wide Diffused 120°
-------------------------	-----------------------------	--	--	--	--	---------------------------------------	---

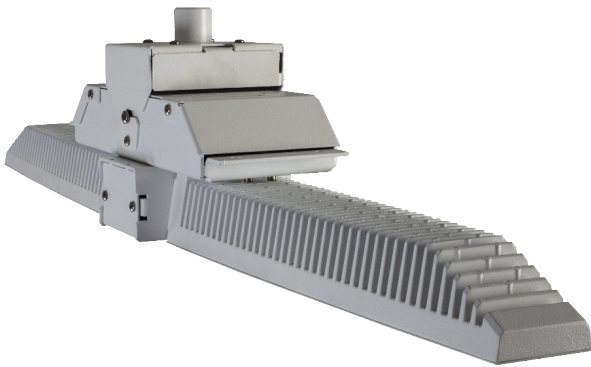
Dimensions

Width: BLB-2 40"
BLB-4 40"

Depth: BLB-2 6"
BLB-4 11"

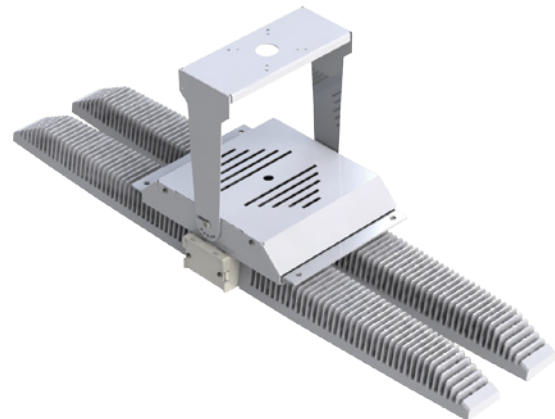
Height: BLB-2 5"
BLB-4 5"

BLB-2 3/4" Conduit Mount



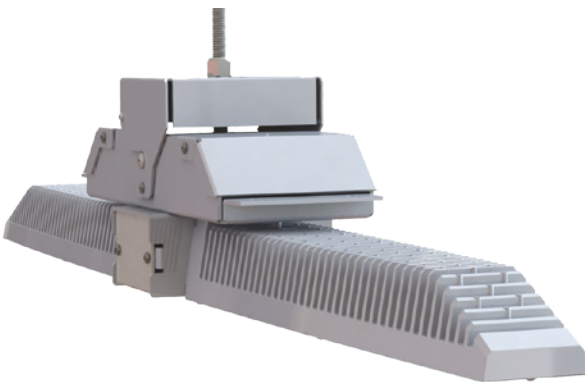
16LBS

BLB-4 Trunnion Mount



30LBS

BLB-2 1/2" Mount



16LBS

BLB-4 Cable Mount



30LBS

BLB 3K Lumen Data * Lumen chart updated 11.15.17																		
# LEDs	mA	Aisle Wide	LPW	Aisle Diffused	LPW	SN 40°	LPW	SND 40°	LPW	SM 90°	LPW	SMD 90°	LPW	SW 120°	LPW	SWD 120°	LPW	Watts
64	350	10710	151	9391	132	10735	151	8547	120	10054	142	8263	116	9356	132	7970	112	71
	530	15787	144	13842	127	15824	145	12599	115	14820	135	12180	111	13791	126	11749	107	109
	700	19452	136	17056	119	19498	136	15524	108	18261	128	15007	105	16992	119	14476	101	143
	1000	29327	135	25714	118	29396	135	23405	107	27531	126	22626	104	25619	118	21825	100	218
128	350	20286	147	17787	129	20334	147	16189	117	19044	138	15650	113	17721	128	15097	109	138
	530	30203	137	26482	120	30274	138	24104	110	28353	129	23301	106	26384	120	22477	102	220
	700	37653	131	33014	115	37741	131	30049	104	35347	123	29049	101	32892	114	28021	97	288
	1000	50619	118	44382	103	50737	118	40396	94	47518	111	39052	91	44218	103	37670	88	430
BLB 4K Lumen Data																		
# LEDs	mA	Aisle Wide	LPW	Aisle Diffused	LPW	SN 40°	LPW	SND 40°	LPW	SM 90°	LPW	SMD 90°	LPW	SW 120°	LPW	SWD 120°	LPW	Watts
64	350	11274	159	9885	139	11300	159	8997	127	10583	149	8698	123	9848	139	8390	118	71
	530	16618	152	14571	133	16657	152	13262	121	15600	143	12821	117	14517	133	12367	113	109
	700	20476	143	17953	125	20524	143	16341	114	19222	134	15797	110	17887	125	15238	106	143
	1000	30871	142	27067	124	30943	142	24636	113	28980	133	23816	109	26967	124	22974	105	218
128	350	21354	155	18723	136	21404	155	17041	123	20046	145	16474	119	18654	135	15891	115	138
	530	31793	145	27876	127	31867	145	25372	115	29845	136	24528	111	27773	126	23660	108	220
	700	39635	138	34752	121	39728	138	31631	110	37207	129	30578	106	34623	120	29496	102	288
	1000	53283	124	46718	109	53408	124	42522	99	50019	116	41107	96	46545	108	39653	92	430
BLB 5K Lumen Data																		
# LEDs	mA	Aisle Wide	LPW	Aisle Diffused	LPW	SN 40°	LPW	SND 40°	LPW	SM 90°	LPW	SMD 90°	LPW	SW 120°	LPW	SWD 120°	LPW	Watts
64	350	10818	152	9486	134	10844	153	8634	122	10156	152	8346	121	9451	142	8051	117	71
	530	15947	146	13940	127	15984	146	12726	116	14970	132	12303	120	13930	123	11867	115	109
	700	19649	137	17228	120	19695	138	15681	110	18445	124	15159	113	17164	116	14622	109	143
	1000	29623	136	25974	119	29693	136	23641	108	27809	123	22854	111	25878	115	22045	108	218
128	350	20491	148	17967	130	20539	149	16353	118	19236	132	15809	119	17900	123	15249	115	138
	530	30508	139	26750	122	30580	139	24347	111	28640	132	23537	120	26651	123	22704	115	220
	700	38033	132	33348	116	38123	132	30353	105	35704	139	29342	111	33224	130	28304	107	288
	1000	51130	119	44831	104	51250	119	40804	95	47998	122	39446	97	44665	113	38050	93	430



Cross Bow Architectural LED Luminaire / Bollard



The Cross Bow LED Luminaire from Visionaire combines unique contemporary design with new LED technology and provides optimum lighting and energy savings over traditional lighting systems. Choose the Architectural LED Luminaire for pedestrian scale or the bollard for low level applications.

LED Technology

- 16 to 64 LEDs available in 350, 530, 700 or 1050 mA ratings.
- 3000, 4000 or 5000 Kelvin for natural or white light.
- Full cutoff optics available in six distribution patterns.
- 50,000 to 140,000 hours of life for the LED Arrays

Construction

- Die Cast aluminum construction throughout provides lasting durability for the Cross Bow - LED series.
- A cast aluminum driver compartment allows for cooler operation and longer life of the driver.
- The LEDs are mounted to a die cast aluminum heat sink built to draw heat away from the LED junction points for extended LED life; and are housed totally independent from the driver.

Applications

- The Cross Bow - LED series can be used for a variety of lighting projects.
- Low level lighting for pathways and landscape lighting
- Higher level lighting for pedestrian and walkway lighting



CROSS BOW LED Specifications



Project Name:

Catalog Number:

Type:

The Cross Bow LED Series continues the unique contemporary design inspired by the sleek styling of the BOW Collection. Separating the Driver(s) from the individual die-cast aluminum linear LED engines; optimize the life of the LEDs and the Driver(s); and maximizes the lumen output of the fixture.

The LED light assemblies come in multiples of 16 LEDs; and are offered in up to 32 LEDs.

Six optical distribution patterns are available. Choose between 3000, 4000 or 5000 Kelvin temperature of the LEDs.

A durable polyester powdercoat finish is guaranteed for five years; and is available in standard or custom colors.

The Cross Bow LED series is an exceptional choice for low level lighting applications.

Ordering Information

MODEL	HEIGHT	OPTICS	SOURCE	CURRENT	KELVIN	VOLTAGE	MOUNTING	FINISH	OPTIONS
C-BOW-1	3 36"	T1	16LC Single	3 350mA	3K 3000K	UNV 120-277V	AB Anchor Base (ANCHOR BOLT KIT SUPPLIED)	BZ Bronze	PC-120 Button Type Photocell
	3.5 42"	T2	32LC Double	5 530mA	4K 4000K			BK Black	PC-208 Button Type Photocell
		T3		7 700mA	5K 5000K			SBK Smooth Black	PC-240 Button Type Photocell
		T4		10 1050mA				WH White	PC-277 Button Type Photocell
		T5						SWH Smooth White	DIM 0-10v Dimming Driver
		T5W						GP Graphite	
								GY Grey	
								SL Silver Metallic	
								CC Custom Color	

Housing

- The LED light engines are constructed of heavy-duty, die-cast aluminum, with external heat radiating fins. The 4" extruded pole contains the driver(s), allowing for cooler operation and longer life. Silicone gasketing is utilized throughout the fixture for weather tight operation.

Thermal Management

- The Cross Bow Series provides excellent overall thermal management by maximizing the fixture's heat sink capabilities. This enables the Cross Bow Series to withstand higher ambient temperatures and drive currents without degrading LED life. The Cross BOW Series has a very low thermal resistance rating.
- The L70 test determines the point in an LEDs life when it reaches 70 percent of its initial output. The Cross Bow Series LEDs have been determined to last a minimum of 140,000 hours in 25° C environments when driven at 350 mA.

Optical System

The highest lumen output LED Arrays are utilized in the Cross Bow Array Series. IES distribution Types I, II, III, IV, V and VW are available. LED Array light assemblies come in multiples of 16 LEDs. The optical system qualifies as IES full cutoff to restrict light trespass, glare and light pollution. CRI values are 70.

Quali-Guard® Finish

- The finish is a Quali-Guard® textured, chemically pretreated through a multiple-stage washer, electrostatically applied, thermoset polyester powder coat finish, with a minimum of 3-5 mil thickness. Finish is oven-baked at 400° F to promote maximum adherence and finish hardness. All finishes are available in standard and custom colors. Finish is guaranteed for five (5) years.

Mounting

The Cross Bow Luminaire is easily attached to the pole by 2 tamper-proof countersunk screws.

Electrical Assembly

- The Cross Bow Series is supplied with a choice of 350 to 1050 mA high-performance LED drivers that accept 120v 50 Hz to 60 Hz, input.
- 10 kV surge protector supplied as standard.

Warranty

- Five (5) year Limited Warranty on electrical components, Five (5) year on finish. For full warranty information, please visit visionairelighting.com.

Options

- Button Type Photocell
- 0-10v Dimming Driver
- Dual Circuit

Listings

- Cross Bow Series is ETL listed, suitable for wet locations.
- LM79 and LM80
- RoHS compliant
- IP66 rated
- DLC Listed
- Powder Coated Tough™

DesignLights Consortium (DLC) qualified Product. Some configurations of this product family may not be DesignLights Consortium (DLC) listed, please refer to the DLC qualified products list to confirm listed configurations. <http://www.designlights.org/>
3000K must be selected for IDA certification.



CROSS BOW LED Specifications

Photometric Optical Summary

Not all optics are available on all fixtures. Check ordering chart for availability

Type I
(T1)



Type II
(T2)



Type III
(T3)



Type IV
(T4)



Type VS
(T5S)



Type VL
(T5L)



C-BOW-1-16LC	
EPA	0.2 ft ²
C-BOW-1-32LC	
EPA	0.3 ft ²

Dimensions

Single

Width: C-BOW-1 4"

Height: C-BOW-1 2.5"

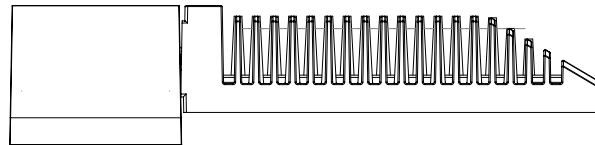
Depth: C-BOW-1 14"

Double

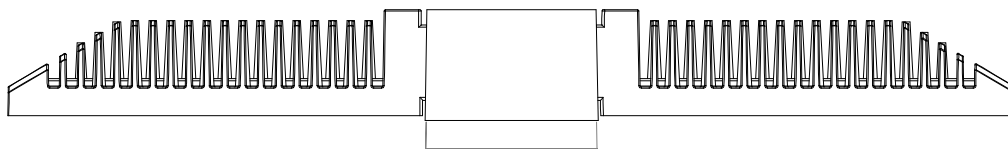
Width: C-BOW-1 4"

Height: C-BOW-1 2.5"

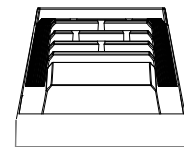
Depth: C-BOW-1 24"



Single



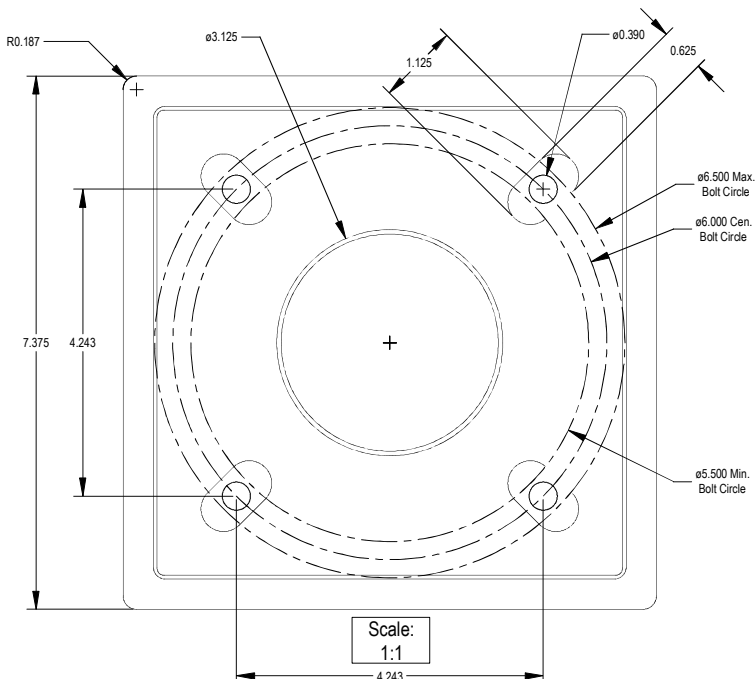
Double



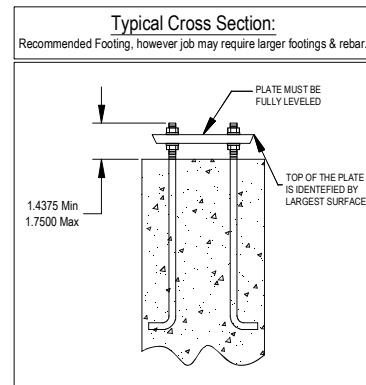
Cross Bow 5K Lumen Data									
Sides	# Of LEDs	mA	Type 1	Type 2	Type 3	Type 4	Type 5	Type 5W	Wattage
1	16	350	1044	1085	1013	1173	1256	1296	17
		530	1656	1721	1606	1860	1993	2056	25
		700	2626	2730	2548	2950	3160	3261	34
		1000	3532	3671	3426	3967	4250	4385	48
2	32	350	2088	2170	2025	2345	2512	2592	34
		530	3311	3442	3212	3719	3985	4112	51
		700	5252	5460	5095	5900	6320	6521	74
		1000	7063	7342	6851	7933	8499	8770	118

Visit www.VisionaireLighting.com for up-to-the-minute chart information, including types not listed here.
 * For 4000K multiply values by 0.90

BASE DETAIL



Base Template:
 Aluminum Shaft 4" Square
 for 3/8 Anchor Bolts



CROSS BOW LED Specifications



Project Name:

Catalog Number:

Type:

The Cross Bow LED Series continues the unique contemporary design inspired by the sleek styling of the BOW Collection. Separating the Driver(s) from the individual die-cast aluminum linear LED engines: optimize the life of the LEDs and the Driver(s); and maximizes the lumen output of the fixture.

The LED light assemblies come in multiples of 32 LEDs; and are offered in up to 64 LEDs.

Six optical distribution patterns are available. Choose between 3000, 4000 or 5000 Kelvin temperature of the LEDs.

A durable polyester powdercoat finish is guaranteed for five years; and is available in standard or custom colors.

The Cross Bow LED series is an exceptional choice for low level lighting applications.

Ordering Information

MODEL	HEIGHT	OPTICS	SOURCE	CURRENT	KELVIN	VOLTAGE	MOUNTING	FINISH	OPTIONS
C-BOW-2	9	T1	32LC	3	3K	UNV <small>*120-277V</small>	AB <small>Anchor Base (ANCHOR BOLT KIT SUPPLIED)</small>	BZ	PC-120
	9'	T2	Single	350mA	3000K			BK	Button Type Photocell
	10	T3	64LC	5	4K	SBK		PC-208	
	10'	T4	Double	530mA	4000K	WH		Button Type Photocell	
	11	T5		7	5K	SWH		PC-240	
11'	T5W		1050mA	5000K	GP	Button Type Photocell			
							WH	PC-277	
							SWH	DIM	
							GP	0-10v Dimming Driver	
							GY		
							SL		
							CC		
							Custom Color		

Housing

- The LED light engines are constructed of heavy-duty, die-cast aluminum, with external heat radiating fins. The 4" extruded pole contains the driver(s), allowing for cooler operation and longer life. Silicone gasketing is utilized throughout the fixture for weather tight operation.

Thermal Management

- The Cross Bow Series provides excellent overall thermal management by maximizing the fixture's heat sink capabilities. This enables the Cross Bow Series to withstand higher ambient temperatures and drive currents without degrading LED life. The Cross BOW Series has a very low thermal resistance rating.
- The L70 test determines the point in an LEDs life when it reaches 70 percent of its initial output. The Cross Bow Series LEDs have been determined to last a minimum of 140,000 hours in 25° C environments when driven at 350 mA.

Optical System

The highest lumen output LED Arrays are utilized in the Cross Bow Array Series. IES distribution Types I, II, III, IV, V and VW are available. LED Array light assemblies come in multiples of 16 LEDs. The optical system qualifies as IES full cutoff to restrict light trespass, glare and light pollution. CRI values are 70.

Quali-Guard® Finish

- The finish is a Quali-Guard® textured, chemically pretreated through a multiple-stage washer, electrostatically applied, thermoset polyester powder coat finish, with a minimum of 3-5 mil thickness. Finish is oven-baked at 400° F to promote maximum adherence and finish hardness. All finishes are available in standard and custom colors. Finish is guaranteed for five (5) years.

Mounting

The Cross Bow Luminaire is easily attached to the pole by 2 tamper-proof countersunk screws.

Electrical Assembly

- The Cross Bow Series is supplied with a choice of 350 to 1050 mA high-performance LED drivers that accept 120v 50 Hz to 60 Hz, input.
- 10 kV surge protector supplied as standard.

Warranty

- Five (5) year Limited Warranty on electrical components, Five (5) year on finish. For full warranty information, please visit visionairelighting.com.

Options

Button Type Photocell
0-10v Dimming Driver

Listings

Cross Bow Series is ETL listed, suitable for wet locations.
LM79 and LM80
RoHS compliant
IP66 rated
DLC Listed
Powder Coated Tough™

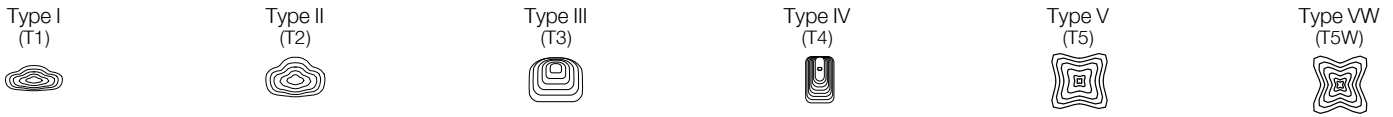
DesignLights Consortium (DLC) qualified Product. Some configurations of this product family may not be DesignLights Consortium (DLC) listed, please refer to the DLC qualified products list to confirm listed configurations. <http://www.designlights.org/>
3000K must be selected for IDA certification.



CROSS BOW LED Specifications

Photometric Optical Summary

Not all optics are available on all fixtures. Check ordering chart for availability



C-BOW-2-32LC	
EPA	0.3 ft ²
C-BOW-2-64LC	
EPA	0.5 ft ²

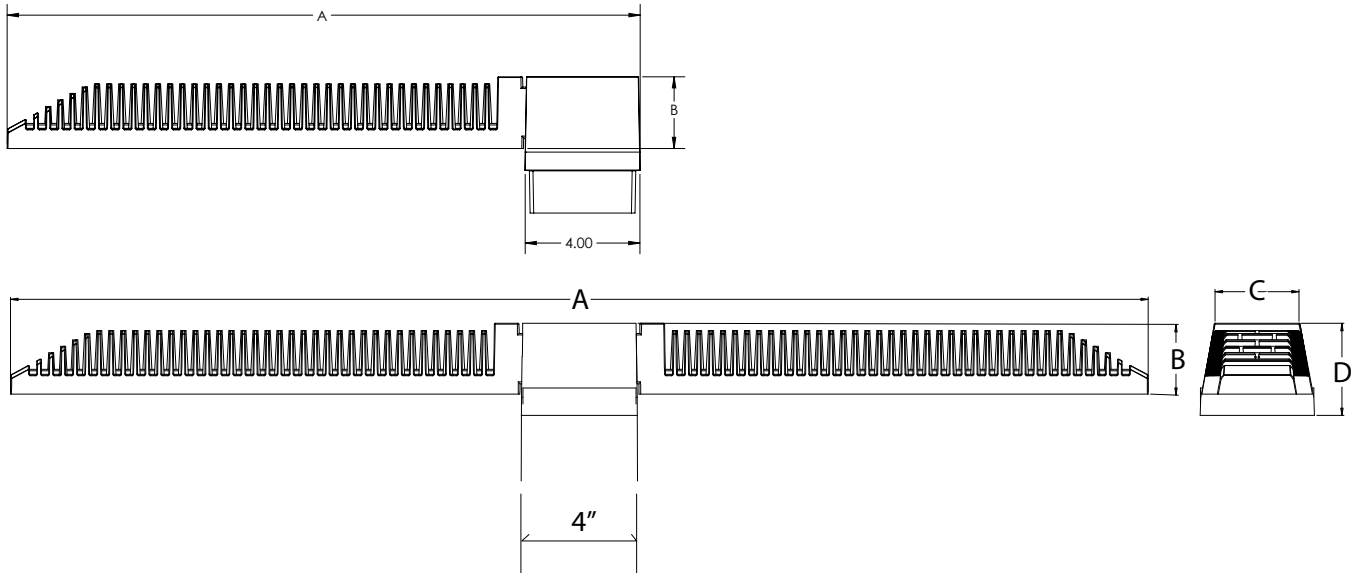
Dimensions

Single

Width:	C-BOW-2 4"
Height:	C-BOW-2 2.5"
Depth:	C-BOW-2 22"

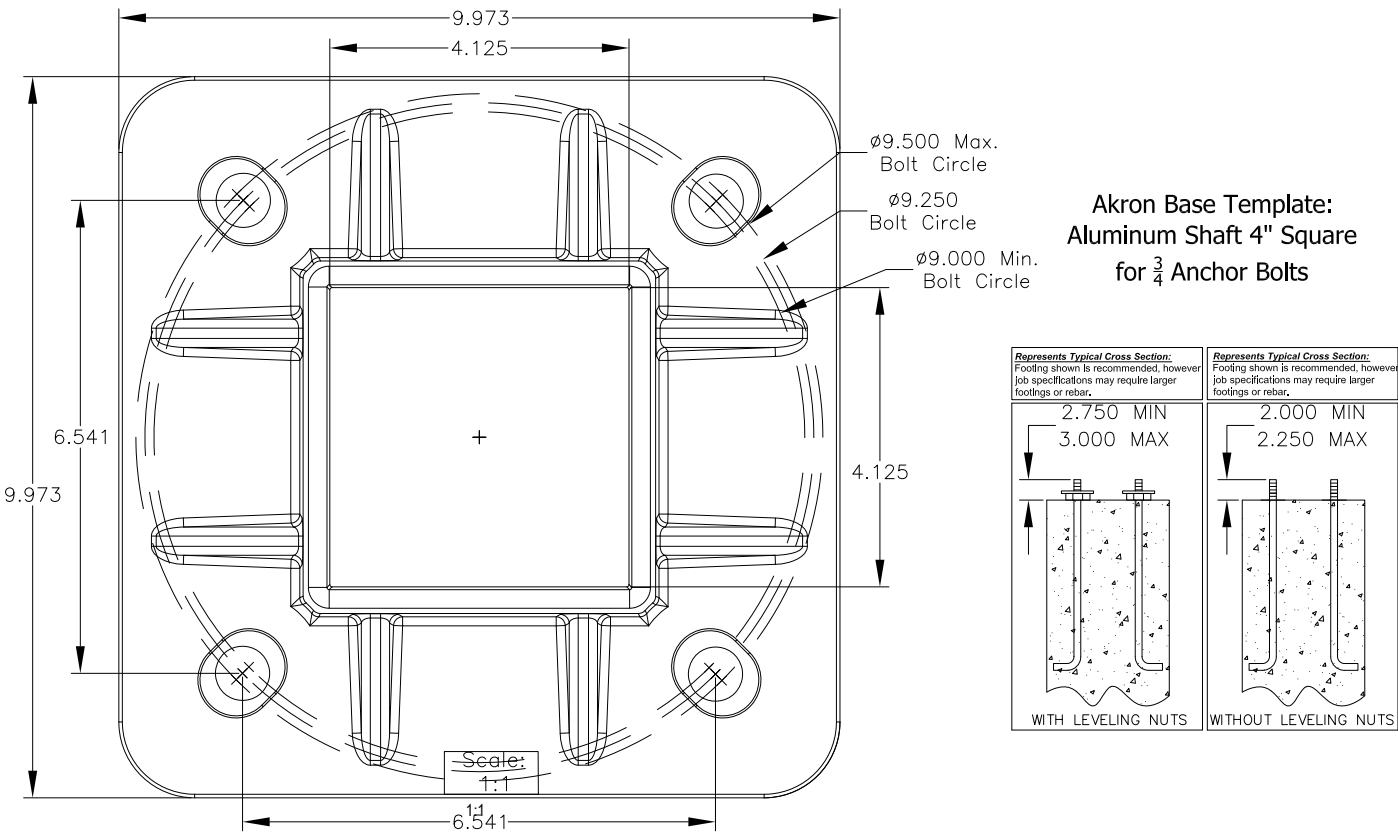
Double

Width:	C-BOW-2 4"
Height:	C-BOW-2 2.5"
Depth:	C-BOW-2 40"



Cross Bow 5K Lumen Data									
Sides	# Of LEDs	mA	Type 1	Type 2	Type 3	Type 4	Type 5	Type 5W	Wattage
1	32	350	2904	3019	2817	3262	3495	3606	34
		530	3906	4060	3789	4387	4700	4849	51
		700	5252	5460	5095	5900	6320	6521	74
		1000	7063	7342	6851	7933	8499	8770	119
2	64	350	3720	3867	3609	4197	4476	4619	68
		530	5900	6133	5724	6628	7100	7326	102
		700	9359	9728	9079	10512	11261	11620	142
		1000	14843	15430	14399	16673	17861	18430	232

Visit www.VisionaireLighting.com for up-to-the-minute chart information, including types not listed here.
 * For 4000K multiply values by 0.95





VISIONAIRE
L I G H T I N G

19645 Rancho Way . Rancho Dominguez, CA 90220
310.512.6480 • www.visionairelighting.com

