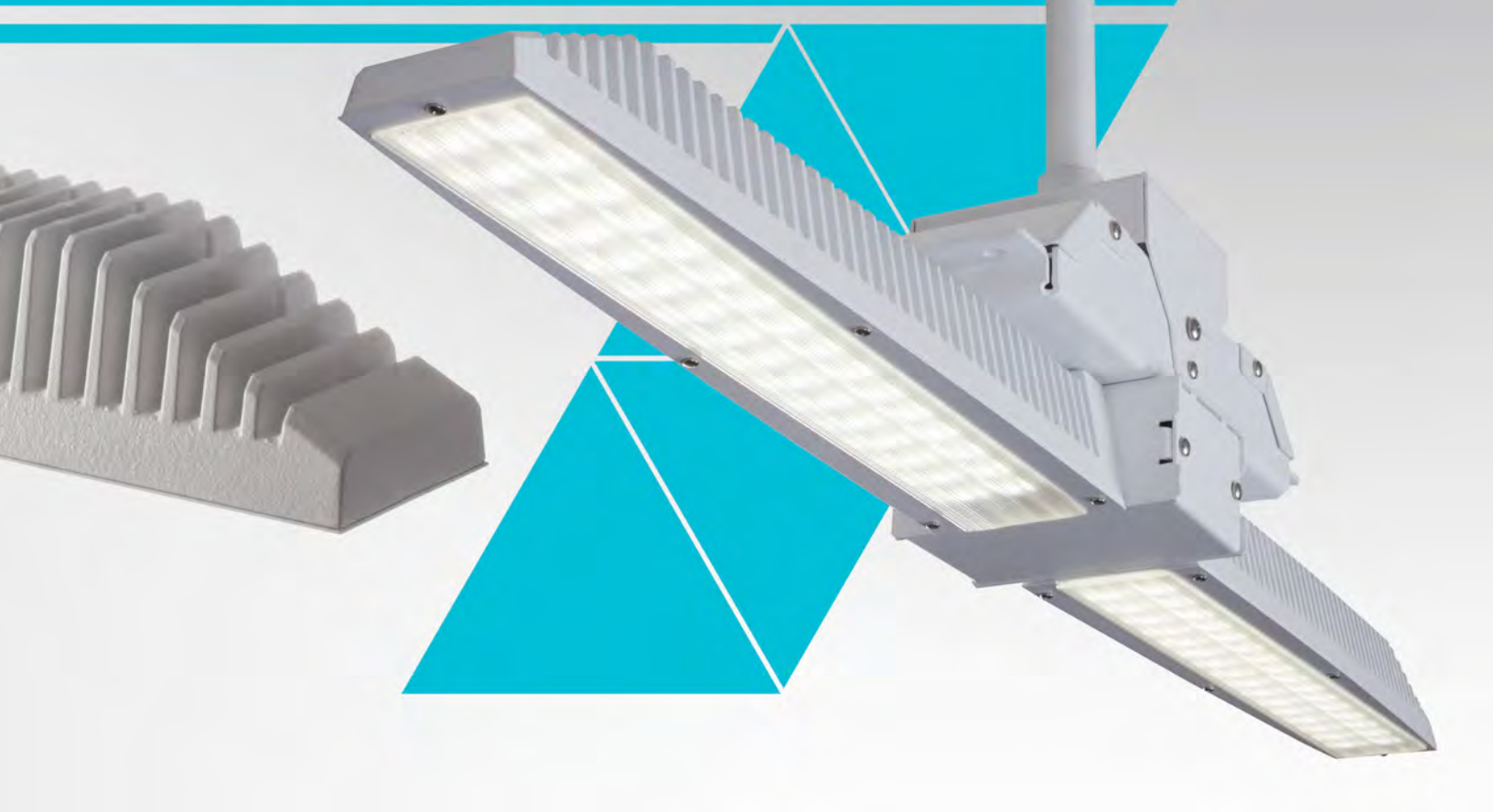




 **VISIONAIRE LIGHTING**
I N D U S T R I A L

▶ **BOW Low Bay** LED Luminaire



VISIONAIRE LIGHTING
INDUSTRIAL





▶ BOW Low Bay LED Luminaire

The new BOW Low Bay LED Luminaire from Visionaire uses an innovative heat sink with all aluminum construction and cutting edge LED technology to deliver a wide range of light output that replaces 250W to 1000W HID and four to eight lamp T5/T8 high intensity fluorescent fixtures for Low Bay applications. Choose from 2 or 4 independent die-cast light engines with up to 1000 mA drivers, for maximum lumen output of over 58,000+ lumens.

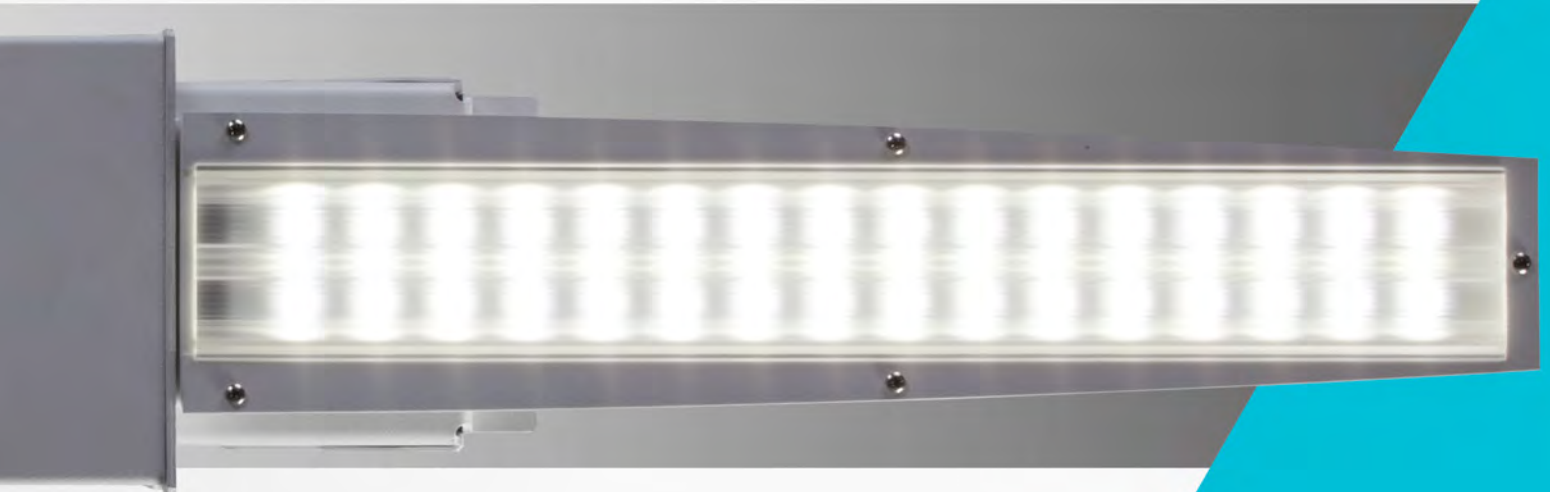
▶ BOW Low Bay LED Luminaire

Introducing an Industrial-Grade LED Luminaire from a vertically integrated lighting manufacturer of high quality LED Luminaires. Visionaire Lighting brings its capabilities as a designer and manufacturer of architectural outdoor lighting into the industrial work space with extremely durable and high lumen output luminaires for the Industrial market. In-house Die Casting of our heavy duty aluminum heat sinks combined with breathable, ventilated driver compartments, while utilizing the latest in both LEDs and Optics promises for longer life and continuous high lumen output, in the more harsh environments.

From small to large distribution centers, to a multitude of industrial & commercial sites all requiring performance, durability, and longevity of their LED lighting systems, Visionaire Lighting provides the first Industrial Low bay and High Bay LED Luminaires to meet these stringent requirements, at a competitive price.

- All Aluminum Construction
 - Integral Heat Sink
 - Open-Air Driver(s)
- 58,000+ Lumen Package
 - 2x & 4x Array Design
 - Dimming Capable
- Mounting consisting of:
 - Cable Mount
 - 1/2" Threaded Rod
 - 3/4" Conduit Mount
 - Adjustable Trunnion



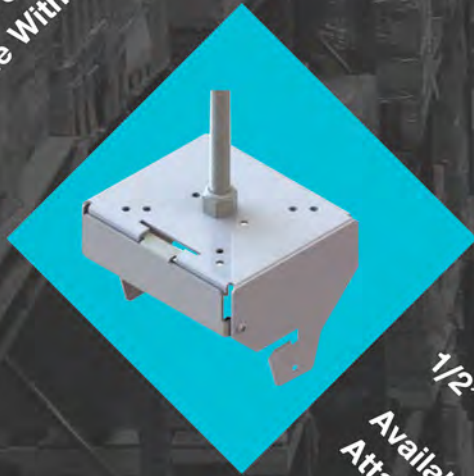


Mounting Options & Mounting Accesories



Cable Mount

Available on BOW Low Bay configurations.
Y Cable With Hook to be ordered as a mounting accessory.



1/2" Threaded Rod Mount

Available on BOW Low Bay configurations.
Attaches to 1/2" threaded rod (sold separately).



3/4" Conduit Mount
 Available on BOW Low Bay configurations.
 Attaches to 3/4" threaded conduit or hook
 (Conduit and hardware not included).



Y-Cable With Hook
 Available on BOW Low Bay configurations.
 Must order Cable Mount option.
 Available in 5', 10' and 15'.



Hook
 Available on BOW Low Bay
 configurations. Must order 3/4"
 Conduit Mount with the Hook
 for a Mounting Accessory.

...nt
 ...ize 2 and 4.
 ...Rod and hardware not included).



01

06

03

► BOW Low Bay LED Luminaire

01. Durable aluminum construction
02. Innovative Die-Cast aluminum heat sinks
03. High performance LED technology
04. Ventilated driver compartment
05. 8 optical distribution patterns
06. 2 or 4 light engines
07. Multi-mount options



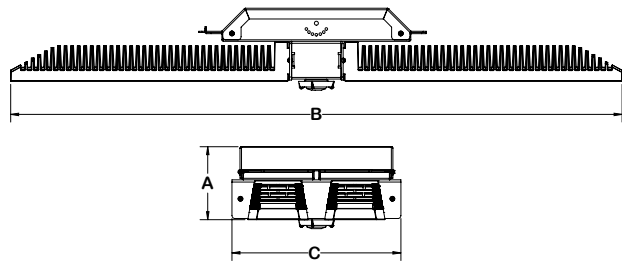
BOW Low Bay LED

Project Name:

Catalog Number:

Type

BLB-2 Cable Mount



Fixture	A	B	C	Max. LEDs	Lbs
BLB-2	5"	40"	6"	64	16
BLB-4	5"	40"	11"	128	30

The new BOW Low Bay LED Luminaire from Visionaire uses innovative heat-sinking with all aluminum construction and cutting edge LED technology to deliver a wide range of light output that replaces 250W to 1000W HID and four to eight lamp T5/T8 high intensity fluorescent fixtures for Low Bay applications. Choose from 2 or 4 independent die-cast light engines with up to 1000 mA drivers, for maximum lumen output of over 58,000+ lumens.

2 or 4 die-cast light engines with external cooling fins, for maximum heat dissipation for long life of the LEDs. The drivers are open to the air for cooler operation. Temperature rated for -40° C to +65° C operations. Improved thermal management of the Light Bars, allows for up to 65°C ambient temperature ratings and -40°C minimum operating temperature; and over 100,000 hours of life at L70.

Our sealed LED optics offer very uniform light distribution and are available in five distribution patterns of: Aisle Wide, Aisle Diffused, Symmetrical Narrow, Symmetrical Narrow Diffused, Symmetrical Medium, Symmetrical Medium Diffused, Symmetrical Wide and Symmetrical Wide Diffused. Choose from 3000, 4000, or 5000 Kelvin temperature of the LEDs. Mounting options include chain or cable ready as standard, 1/2" threaded rod, and 3/4" conduit. Other options include Motion Sensors, Emergency battery pack and 10' & 15' cords.

LED Technology
64 or 128 LEDs available in 350, 530, 700 or 1000 mA ratings.
3000, 4000 or 5000 Kelvin temperature are available.

Model	Optics	Source	Milliamps	Kelvin	Voltage	Mounting	Finish	Options	Mounting Accessories					
BLB-2	Aisle Wide (AW)	# of LEDs 64 (64LC)	mA 350 (3)	3000K *Warm white (3K)	120-277 *Universal voltage (UNV)	Cable Mount (CBM) *Cable Ordered Separately *Hardware Not Included	White (WH) Grey (GY)	Motion Sensor/FSP 211 Control Watt Stopper must specify dimming driver (Programmable) *Works with FSP-211 (WSC-8) 8" Mounting Height (WSC-20) 9-20" Mounting Height (WSC-40) 21-40" Mounting Height This option will require(1) FSIR 100 remote for programming Motion Sensor (On-Off) (MS-8) 8" Mounting Height (MS-20) 9-20" Mounting Height (MS-40) 21-40" Mounting Height Wireless Control (WC) Consult Factory Emergency Battery Pack *Universal Voltage only (EBPL) Wire Guard (WG) Cord *5' 3 Wire Cord comes as standard (10CD) 10' Cord (15CD) 15' Cord Dimming Leads No Controls (DIM)	Y-Cable With Hook (YH5) 5' Height (YH10) 10' Height (YH15) 15' Height *To be ordered with CBM Mounting Hook (HK) *To be ordered with 3/4" CDM Mount					
	Aisle Diffused (AD)													
BLB-4	Symmetrical Narrow 40° (SN)	128 (128LC)	530 (5)	4000K *Neutral white (4K)	347 (8)	1/2" Mount (CPM) *Threaded Rod and Nuts Not Included								
	Symmetrical Narrow Diffused 40° (SND)													
	Symmetrical Medium 90° (SM)					700 (7)				5000K *Cool white (5K)	480 (5)	3/4" Conduit Mount (CDM) *Conduit Not Included		
	Symmetrical Medium Diffused 90° (SMD)											Trunnion Mount (TM)		
	Symmetrical Wide 120° (SW)													
Symmetrical Wide Diffused 120° (SWD)			1000 (10)											

For more detailed information on mounting, wiring or installation instructions, please consult factory. If poles are not ordered with fixtures, please specify mounting requirements. This document contains proprietary information of Visionaire Lighting, LLC. Any use of this information requires the written approval of Visionaire Lighting, LLC. In keeping with our TQM policy of continuous improvement, Visionaire reserves the right to change any specifications contained herein without prior notice.



BOW Low Bay LED

Housing

- The LED light engines are constructed of heavy-duty, die-cast aluminum, with external heat radiating fins.
- The driver compartment allows for easy access, cooler operation and longer life.

Thermal Management

- The BOW Low Bay Series provides excellent overall thermal management by maximizing the fixture's heat sink capabilities. This enables the BOW Low Bay Series to withstand higher ambient temperatures and drive currents without degrading LED life. The BOW Low Bay Series has a low thermal resistance rating. The heat radiating fins create superior thermal management results.
- The L70 test determines the point in an LEDs life when it reaches 70 percent of its initial output. The BOW Low Bay Series LEDs have been determined to last a minimum of 100,000 hours in 25°C environments when driven at 350 mA. See LED Data Chart for additional test results.

Optical System

- The highest lumen output LEDs are utilized in the BLB Series. Distribution Types include Aisle Wide, Aisle Diffused, Symmetrical Narrow 40°, Symmetrical Narrow Diffused 40°, Symmetrical Medium 90°, Symmetrical Medium Diffused 90°, Symmetrical Wide 120° and Symmetrical Wide Diffused 120°. LED light assemblies come in multiples of 32 LEDs.
- CRI values are 70.

Quali-Guard Finish

- The finish is a Quali-Guard textured, chemically pretreated through a multiple-stage washer, electrostatically applied, thermoset polyester powder coat finish, with a minimum of 3-5 millimeter thickness. Finish is oven-baked at 400° F to promote maximum adherence and finish hardness. All finishes are available in standard and custom colors.

- Finish is guaranteed for five (5) years.

Mounting

Available standard for:

- Cable Mount
- 1/2" Threaded Rod
- 3/4" Conduit

- Trunnion Mount

Electrical Assembly

- The BOW Low Bay Series is supplied with a choice of 350, 530, 700 or 1000 mA high-performance LED drivers that accept 120v thru 480v, 50 Hz to 60 Hz, input. Power factor of 90%.
- Rated for -40 °C to +65 °C temperature operations.
- 10 kV surge protector supplied as standard.
- 5' Cord as standard.
- 0-10v Dimming Driver is standard.

Warranty

- Five (5) year Limited Warranty on entire system, including finish. For full warranty information, please visit visionairelighting.com.

Options

- Motion Sensor/Control Watt Stopper FSP-211
- Motion Sensor (On/Off)
- Wireless Control
- Emergency Battery Pack
- Wire Guard
- Cord
- Dimming Leads

Listings

- UL/cUL listed UL 1598 Suitable for damp locations
- UL 8750 LED equipment in Lighting Products
- Powder Coated Tough™
- DLC Listed

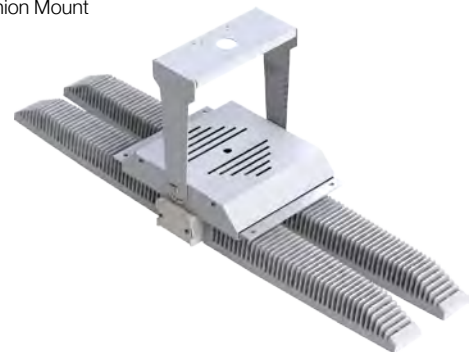


DesignLights Consortium (DLC) qualified Product. Some configurations of this product family may not be DesignLights Consortium (DLC) listed, please refer to the DLC qualified products list to confirm listed configurations. <http://www.designlights.org/>

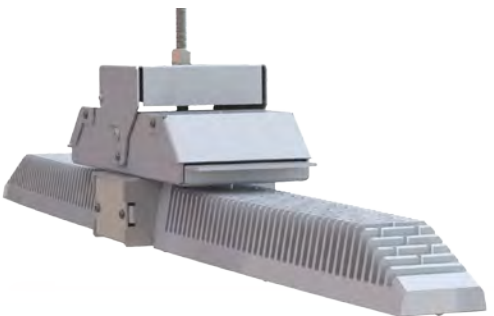
BLB-2 3/4" Conduit Mount



BLB-4 Trunnion Mount



BLB-2 1/2" Mount



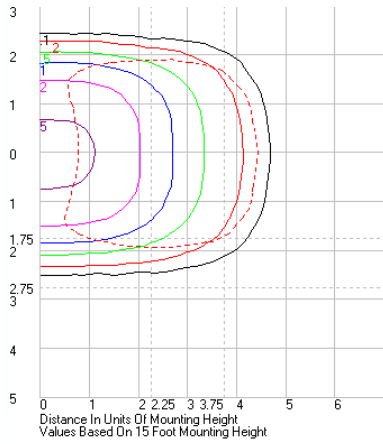
BLB-4 Cable Mount



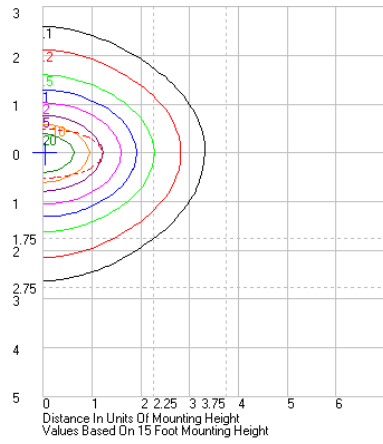
19645 Rancho Way Rancho Dominguez, CA 90220
Tel: (310) 512-6480 Fax: (310) 512-6486
www.visionairelighting.com

Photometrics/ISO Line

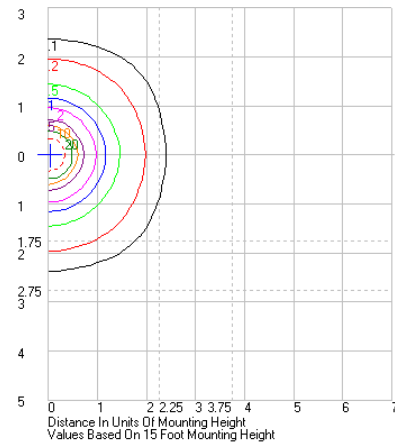
Aisle Wide



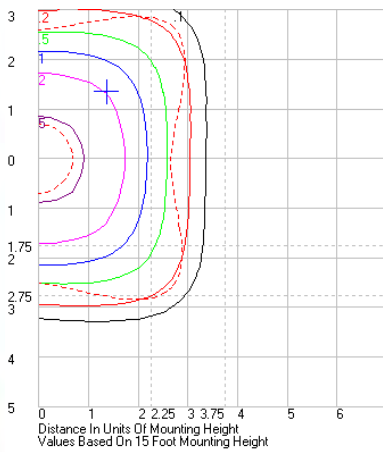
Aisle Diffused



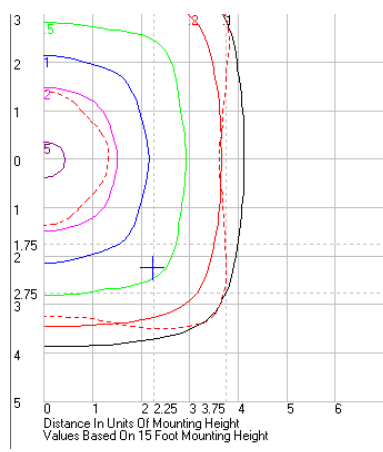
Symmetrical Narrow 40°



Symmetrical Medium 90°



Symmetrical Wide 120°



For more detailed information on mounting, wiring or installation instructions, please consult factory. If poles are not ordered with fixtures, please specify mounting requirements. This document contains proprietary information of Visionaire Lighting, LLC. Any use of this information requires the written approval of Visionaire Lighting, LLC. In keeping with our TQM policy of continuous improvement, Visionaire reserves the right to change any specifications contained herein without prior notice.

BOW Low Bay LED

The BOW Low Bay series optical lens system enables LEDs to provide precise illumination where needed. Lenses are designed for commercial & industrial applications where mounting height, fixture spacing & light levels help determine lens selection. The following table outlines lens options and suggested application.

Optic Application Guide		
	Mounting Height	Space Type
Aisle Wide	15-25'	Isle with storage racks
Aisle Diffused	26+	Isle with storage racks
Symmetrical Narrow 40°	41'+	Open Floor Space
Symmetrical Medium 90°	26'-40'	Open Floor Space
Symmetrical Wide 120°	15-25'	Open Floor Space

3K Lumen Data Lumen chart updated 09.15.17

# LEDs	mA	Aisle Wide	LPW	Aisle Diffused	LPW	SN 40°	LPW	SND 40°	LPW	SM 90°	LPW	SMD 90°	LPW	SW 120°	LPW	SWD 120°	LPW	Watts
64	350	10710	151	9391	132	10735	151	8263	116	10054	142	7988	113	9356	132	7705	109	71
	530	14349	131	12581	115	14382	131	12599	115	13470	123	12180	111	12534	115	11749	107	109
	700	17680	123	15502	108	17721	124	15524	108	16597	116	15007	105	15444	108	14476	101	143
	1000	26655	122	23371	107	26717	123	23405	107	25023	115	22626	104	23285	107	21825	100	218
128	350	18438	131	16166	115	18481	131	16189	115	17309	123	15650	111	16106	114	15097	107	141
	530	26595	131	23319	115	26657	132	23352	115	24967	123	22575	111	23232	115	21776	107	203
	700	39826	138	34919	121	39919	139	30725	107	37387	130	29702	103	34790	121	28651	99	288
	1000	52559	121	46084	106	52682	121	40548	93	49341	113	39199	90	45914	106	37812	87	435

4K Lumen Data Lumen chart updated 09.15.17

# LEDs	mA	Aisle Wide	LPW	Aisle Diffused	LPW	SN 40°	LPW	SND 40°	LPW	SM 90°	LPW	SMD 90°	LPW	SW 120°	LPW	SWD 120°	LPW	Watts
64	350	11274	159	9885	139	11300	151	8698	159	10583	149	8408	118	9848	139	8111	114	71
	530	15104	138	13243	121	15139	131	13262	138	14179	130	12821	117	13194	121	12367	113	109
	700	18610	130	16317	114	18654	124	16341	130	17470	122	15797	110	16257	114	15238	106	143
	1000	28058	129	24601	113	28124	123	24636	129	26339	121	23816	109	24510	112	22974	105	218
128	350	19408	138	17017	121	19454	131	17041	138	18219	129	16474	117	16954	120	15891	113	141
	530	27995	138	24546	121	28061	132	24581	139	26280	130	23763	117	24455	121	22922	113	203
	700	41922	146	36757	128	42020	139	32342	146	39354	137	31265	109	36621	127	30159	105	288
	1000	55326	127	48510	112	55456	121	42683	127	51937	119	41262	95	48330	111	39802	91	435

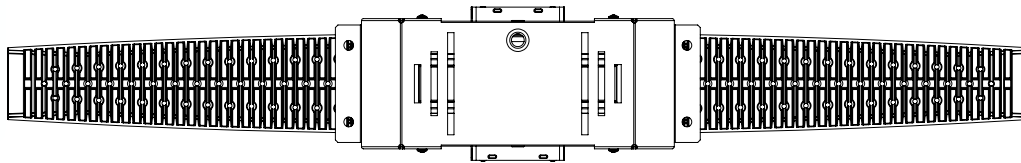
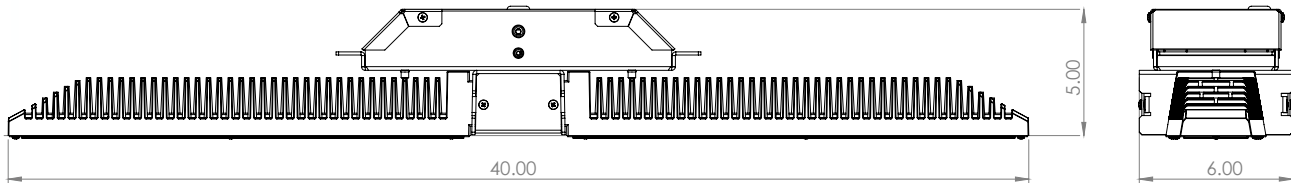
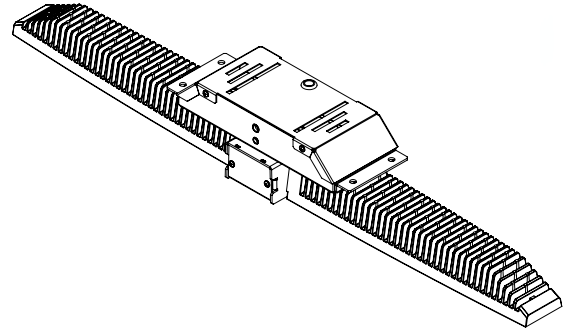
5K Lumen Data Lumen chart updated 09.15.17

# LEDs	mA	Aisle Wide	LPW	Aisle Diffused	LPW	SN 40°	LPW	SND 40°	LPW	SM 90°	LPW	SMD 90°	LPW	SW 120°	LPW	SWD 120°	LPW	Watts
64	350	11504	162	10087	142	11531	162	8875	125	10799	152	8580	121	10049	142	8276	117	71
	530	15412	141	13940	127	15448	141	13533	124	14468	132	13082	120	13463	123	12619	115	109
	700	18990	133	17176	120	19035	133	16674	116	17827	124	16119	113	16589	116	15549	109	143
	1000	28630	131	25896	119	28698	132	25139	115	26877	123	24302	111	25010	115	23443	108	218
128	350	19804	140	17364	123	19851	141	17389	123	18591	132	16810	119	17300	123	16216	115	141
	530	28566	141	25047	124	28633	141	25083	124	26817	132	24248	120	24954	123	23390	115	203
	700	42777	149	37507	130	42878	149	33002	115	40157	139	31903	111	37368	130	30775	107	288
	1000	56455	130	49500	114	56587	130	43554	100	52997	122	42104	97	49316	113	40614	93	435

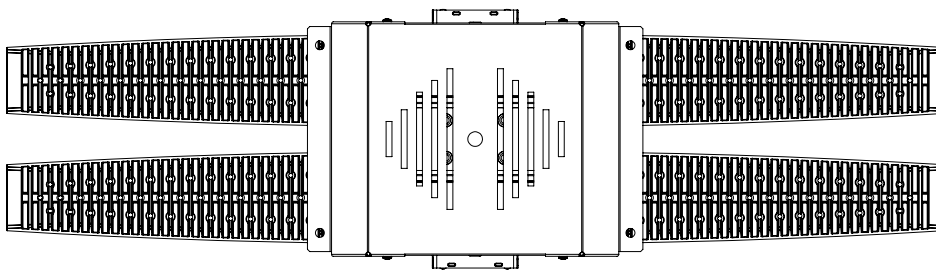
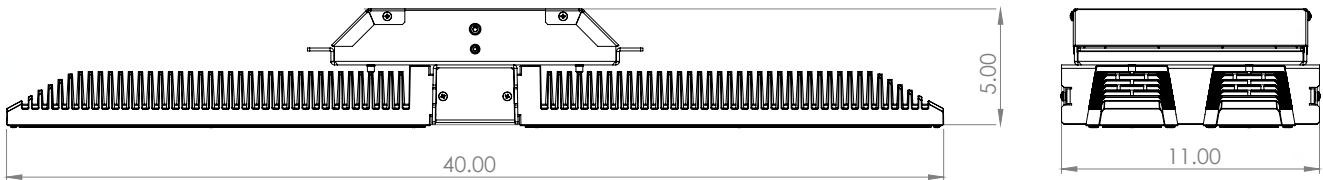
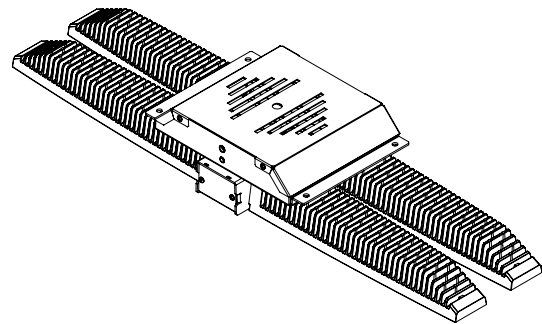
For more detailed information on mounting, wiring or installation instructions, please consult factory. If poles are not ordered with fixtures, please specify mounting requirements. This document contains proprietary information of Visionaire Lighting, LLC. Any use of this information requires the written approval of Visionaire Lighting, LLC. In keeping with our TQM policy of continuous improvement, Visionaire reserves the right to change any specifications contained herein without prior notice.

BLB Product Dimensions

BLB-2 Cable Mount
16 LBS



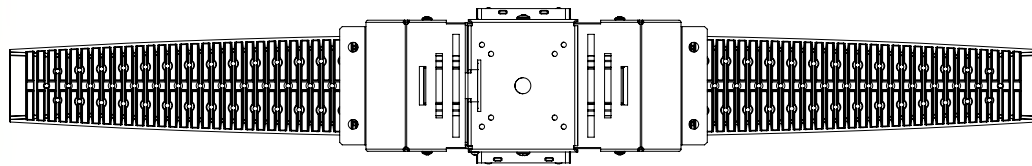
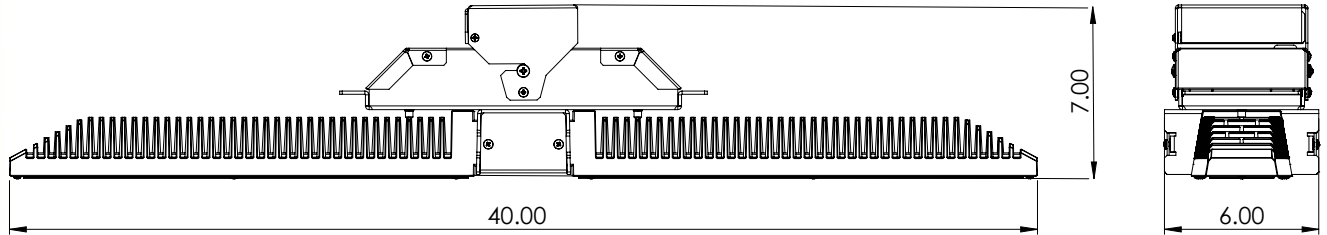
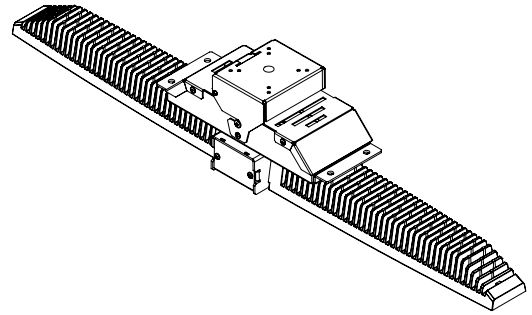
BLB-4 Cable Mount
30 LBS



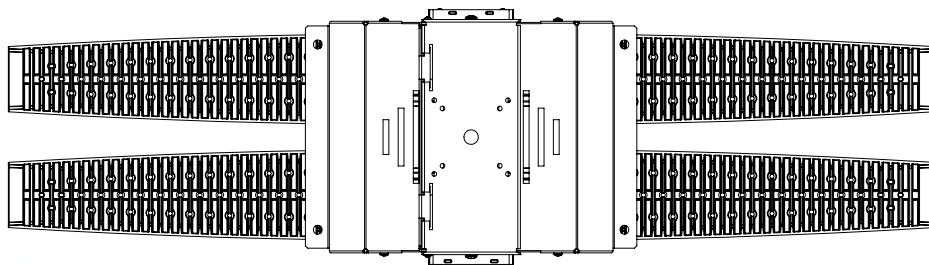
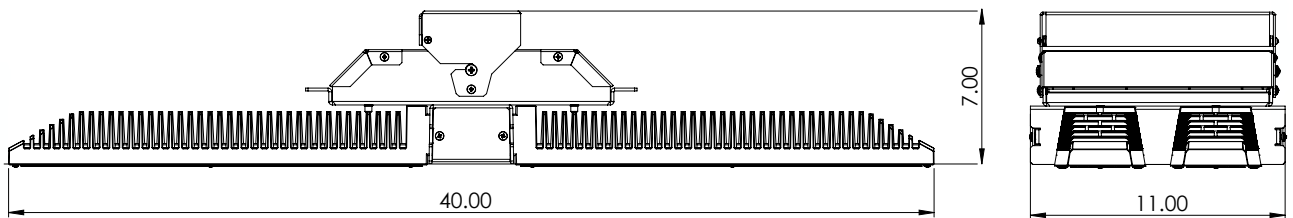
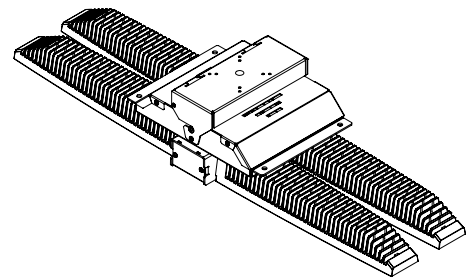
For more detailed information on mounting, wiring or installation instructions, please consult factory. If poles are not ordered with fixtures, please specify mounting requirements. This document contains proprietary information of Visionaire Lighting, LLC. Any use of this information requires the written approval of Visionaire Lighting, LLC. In keeping with our TQM policy of continuous improvement, Visionaire reserves the right to change any specifications contained herein without prior notice.

BOW Low Bay LED

BLB-2 1/2" Mount
16 LBS



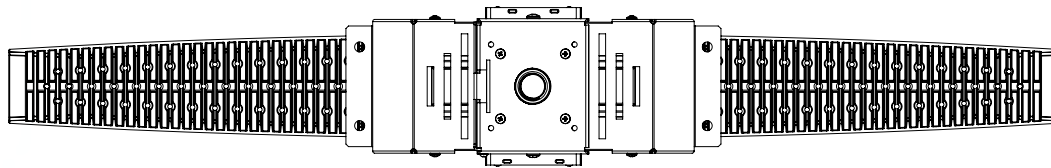
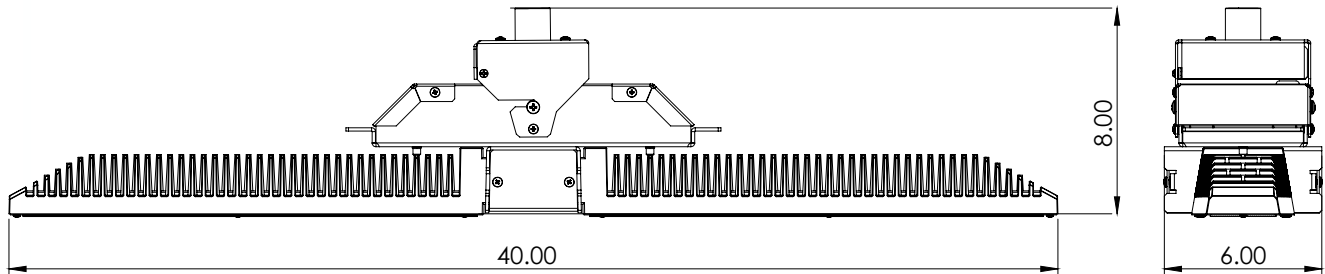
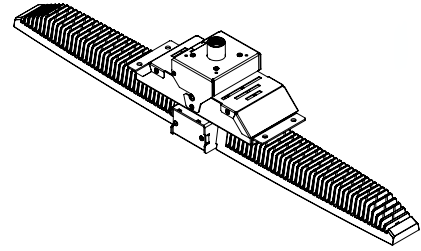
BLB-4 1/2" Mount
30 LBS



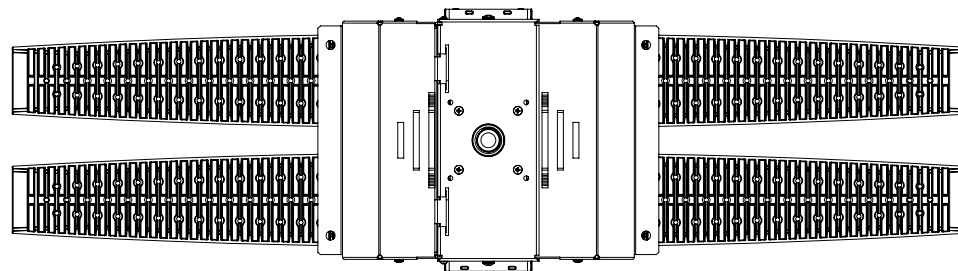
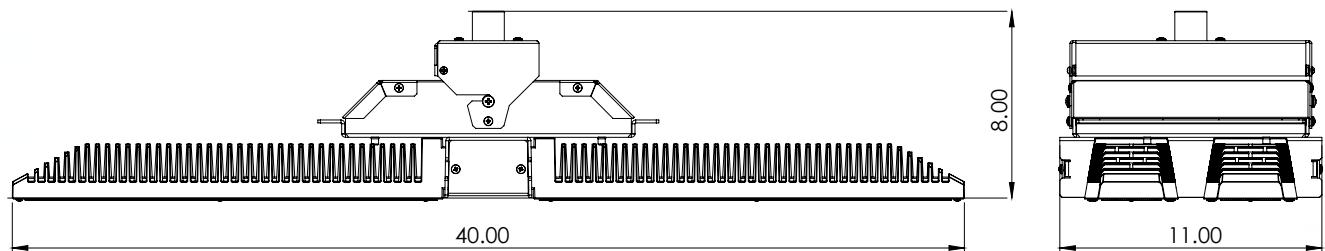
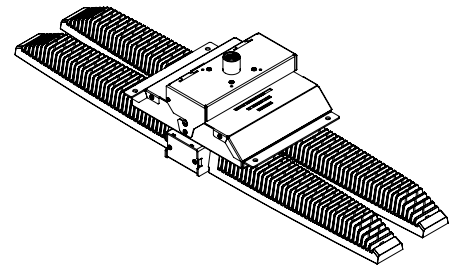
For more detailed information on mounting, wiring or installation instructions, please consult factory. If poles are not ordered with fixtures, please specify mounting requirements. This document contains proprietary information of Visionaire Lighting, LLC. Any use of this information requires the written approval of Visionaire Lighting, LLC. In keeping with our TQM policy of continuous improvement, Visionaire reserves the right to change any specifications contained herein without prior notice.

BLB Product Dimensions

BLB-2 3/4" Conduit Mount
16 LBS



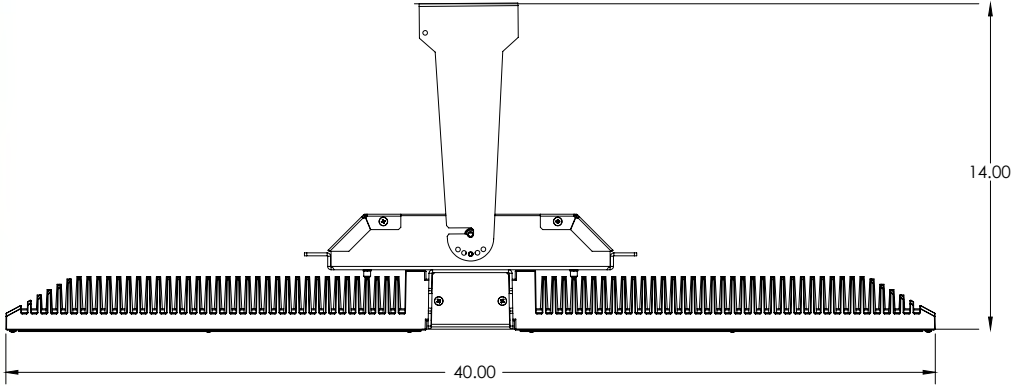
BLB-4 3/4" Conduit Mount
30 LBS



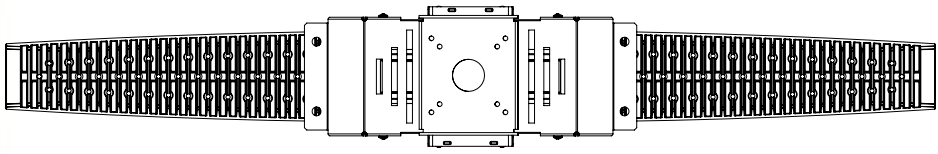
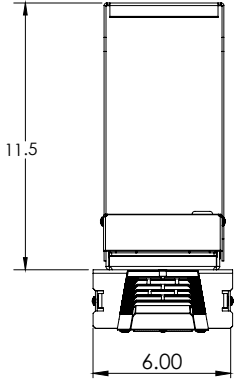
For more detailed information on mounting, wiring or installation instructions, please consult factory. If poles are not ordered with fixtures, please specify mounting requirements. This document contains proprietary information of Visionaire Lighting, LLC. Any use of this information requires the written approval of Visionaire Lighting, LLC. In keeping with our TQM policy of continuous improvement, Visionaire reserves the right to change any specifications contained herein without prior notice.

BOW Low Bay LED

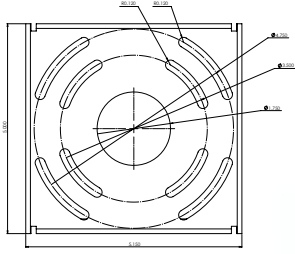
BLB-2 Trunnion Mount
16 LBS



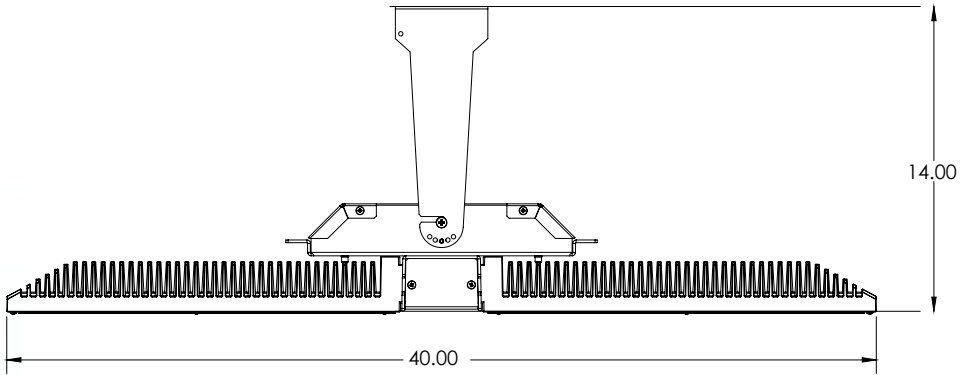
FRONT VIEW



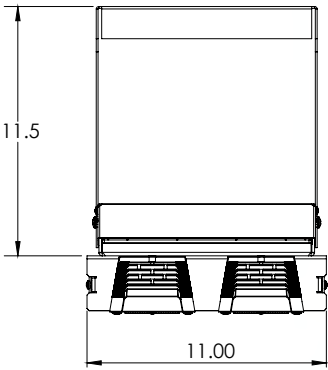
TOP VIEW



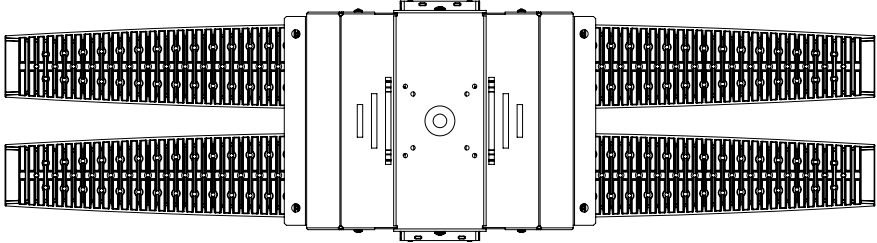
BLB-4 Trunnion Mount
30 LBS



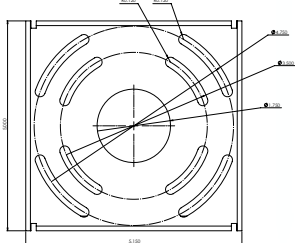
FRONT VIEW



RIGHT VIEW



TOP VIEW



For more detailed information on mounting, wiring or installation instructions, please consult factory. If poles are not ordered with fixtures, please specify mounting requirements. This document contains proprietary information of Visionaire Lighting, LLC. Any use of this information requires the written approval of Visionaire Lighting, LLC. In keeping with our TQM policy of continuous improvement, Visionaire reserves the right to change any specifications contained herein without prior notice.

**Built Like A Battle Ship.
Made To Last.**

▶ BOW Low Bay LED Luminaire





 **VISIONAIRE LIGHTING**
INDUSTRIAL



 **VISIONAIRE LIGHTING**

19645 Rancho Way . Rancho Dominguez, CA 90220
310.512.6480 • www.visionairelighting.com