

ARIA-1 Turtle Safe LED Specifications



Project Name:

Catalog Number:

Type:

Contemporary design meets the new generation of LED green technology in this stunning luminaire, the **Aria**. The Aria series provides over fifty percent energy savings over traditional HID light sources; and offers excellent beam control and LED life beyond 100,000 hours for 350 milliamp systems. The Aria is offered in six optical distributions. 590 nm diode supplied as standard.

The Aria fully-sealed housing features an exceptionally well-designed thermal management system that provides superior heat dissipation.

The popular **Aria** is the perfect compliment to any university campus, business park, or walkway project where contemporary, architectural design is desired.

Ordering Information

MODEL	OPTICS	LEDS	CURRENT	KELVIN	VOLTAGE	MOUNTING	FINISH	OPTIONS	OPTIONS
ARI-1-L	T1 Type 1	32LC	3 350mA	TS 590 nm	UNV 120-277V	AM Arm Mount	BZ Bronze	PCR-120 Photocell & Receptacle	PER 3 Pin Photo Receptacle w/shorting cap
	T2 Type 2	48LC	5 530mA		8 347V	PT Post Top Slips over 3"ØD tenon x 4" tall with special threaded mounting plate.	BK Black	PCR-208 Photocell & Receptacle	5PINPER 5 Pin Photo Receptacle w/shorting cap
	T3 Type 3	80LC			5 480V		SBK Smooth Black	PCR-240 Photocell & Receptacle	Requires Dimming Driver
	T4 Type 4	96LC				Requires special tenon adaptor if poles are not Visionaire Lighting poles.	WH White	PCR-277 Photocell & Receptacle	7PINPER 7 Pin Photo Receptacle w/shorting cap
	T5 Type 5						SWH Smooth White	PCR-480 Photocell & Receptacle	Requires Dimming Driver
	T5W Type 5 Wide					WM Wall Mount	GP Graphite	WSC-8 Motion Sensor 8' Mounting Height	RPP3 For 3"Ø Pole Round Pole Plate Adaptor
						Round Pole Plate Adaptors (RPP) are to be ordered separately.	GY Grey	WSC-20 Motion Sensor 9-20' Mounting Height	RPP4 For 4"Ø Pole Round Pole Plate Adaptor
							SL Silver Metallic	WSC-40 Motion Sensor 21-40' Mounting Height	RPP5 For 5"Ø Pole Round Pole Plate Adaptor
							CC Custom Color	The WSC option will require (1) FSIR 100 remote for programming	ROT-R Rotated Optics Right Side
								DIM 0-10v Dimming Driver	ROT-L Rotated Optics Left Side
								VWC Visionaire Wireless Controls Consult Factory	AWP Aria Wall Plate
									ACB Aria Conduit Box
									LS Light Shield

Housing

Die cast aluminum fixture housing is 20" diameter with integral tool-less push latch sealing mechanism.

Door Frame and Lens

Die cast aluminum door frame incorporates two one-piece silicone channel gaskets to seal the housing and arm completely. Opening the hinged door frame allows for direct access to the lamp and driver. The door frame includes an aircraft cable support to hold it securely while servicing the fixture.

Thermal Management

- The Aria provides excellent overall thermal management by maximizing the efficiency of the heat sink in the fixture (see Interior View). This enables the Aria to withstand higher ambient temperatures and higher drive currents without degrading LED life.
- The L70 test determines the point in an LED's life when it reaches 70 percent of its initial output. Aria series LEDs have been determined to last a minimum of 100,000 hours in 25° C environments when driven at 350 mA. See LED Data Chart below for actual test results.

Optical System

- The highest lumen output are utilized in the Aria series. IES Types 1, 2, 3, 4, 5 and 5W distributions are standard. The LED light assemblies are available in 42 or 84 LED configurations. The optical system qualifies as IES full cutoff to restrict light trespass, glare and light pollution.
- 590 nm diode supplied as standard.

Quali-Guard® Finish

- Fixture components are chemically pretreated through a multiplestage washer, and finished with an electrostatically applied, thermoset polyester powder coat textured paint with a 3 to 5 mils thickness. Finish is oven-baked at 400° F for maximum adherence and finish hardness.
- Available in standard and custom colors.
- Finish is guaranteed for five (5) years.

Mounting

- Post Top Mount: The cast aluminum post top mount fitter houses the driver assembly. The contractor-friendly mounting hardware is concealed inside the post top fitter; which slips over a 3" O.D. x 4" tall tenon with a special threaded mounting plate, and is secured by a high-strength bolt.
- Arm Mount: The fixture mounts directly to the pole by means of three stainless steel mounting bolts attaching to an in-pole nut plate, to ensure level installation.
- A Round Pole Plate Adaptor (RPP-4/5) is required for mounting to 4" or 5" round poles.
- Cast wall mount plate predrilled for easy mounting

Electrical Assembly

- The Aria is supplied with a choice of 350 or 530 mA highperformance LED drivers that accept 120 V thru 480 V, 50 Hz to 60 Hz, input.
- Power factor of 90%.
- Rated for -40° C operations.
- 10 kV surge protector supplied as standard.

Warranty

Five (5) year Limited Warranty on entire system, including finish. For full warranty information, please visit VisionaireLighting.com.

Options

- Photocell & receptacle
 - Painted bars for post top mount
 - Photo receptacle
 - Round pole plate adaptor
 - Button type photocell
 - Aria wall plate
 - Aria conduit box
 - 0-10 V dimming driver
 - WattStopper FSP-211 Motion Sensor
- Please consult factory for custom options.

Listings

- Aria is ETL listed, suitable for wet locations.
- LM79
- LM80
- IP65 Rated
- RoHS compliant
- Powder Coated Tough™



Motion Sensor Default Setting

Type	High Mode	Low Mode	Time Delay	Cut off Delay	Sensitivity	Hold Off Setpoint	Photocell On/Off	Ramp Up Time	Fade Down Time
WSC - Default	10V	1V	5 Min	1 Hour	Max	Disabled	Disabled	Disabled	Disabled
WSC Range	0-10V	0-9.8V	5-30 Min	1-5 Hours	Low, Med, Max	1-250FC	1-250FC	1-60 Dec	1-60 Dec

ARIA-1 Turtle Safe LED Specifications

Photometric Optical Summary

Not all optics are available on all fixtures. Check ordering chart for availability



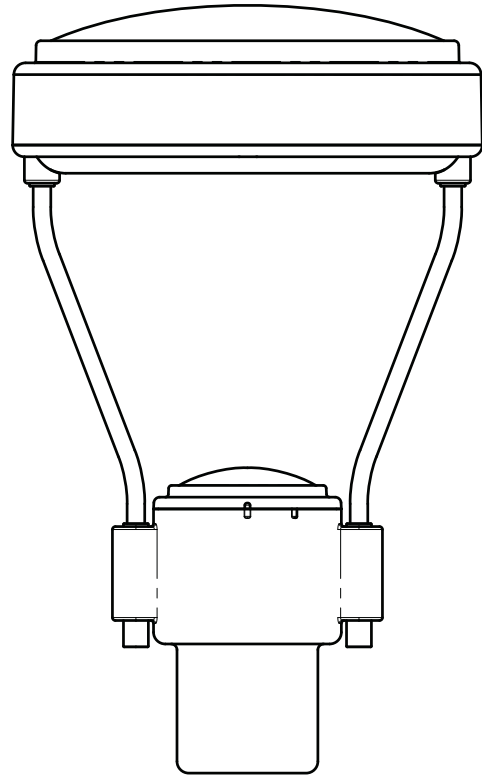
EPA Data	Fixture with Arm						
	ARI-1-L (AM)	1.2	2.2	2.5	2.7	2.6	2.7
	ARI-1-L (PT)	1.8	3.6	3.6	5.3	5.3	5.3

Dimensions AM

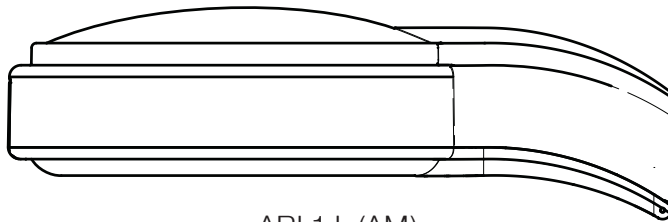
Width:	ARI-1 20"
Height:	ARI-1 7.25"
Depth:	ARI-1 28.25"
Weight:	41 LBS

Dimensions PT

Width:	ARI-1 20"
Height:	ARI-1 29.75"
Weight:	41.5 LBS

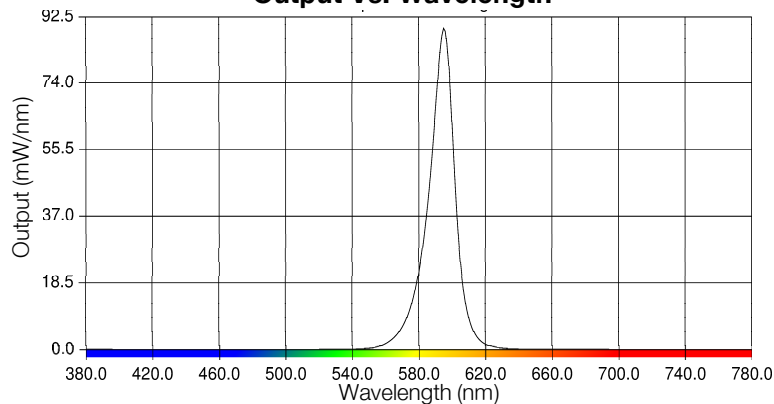


ARI-1-L (PT)



ARI-1-L (AM)

Output Vs. Wavelength



ARIA-1-L Turtle Safe (590 nm) LUMEN DATA																							
# LEDs	Current (mA)	T1	T2	T3	T4	T5	T5W	T5WR	Wattage														
32	350	1041	958	950	934	1026	980	980	35														
	530	1518	1398	1386	1362	1497	1429	1430	56														
48	350	1589	1462	1450	1425	1567	1495	1496	55														
	530	2253	2074	2056	2021	2222	2121	2122	80														
64	350	2067	1903	1887	1854	2039	1946	1947	71														
	530	2932	2699	2676	2630	2892	2760	2762	104														
80	350	2561	2357	2337	2297	2526	2410	2412	84														
	530	3647	3357	3328	3271	3596	3432	3435	128														
96	350	3035	2793	2769	2722	2993	2856	2858	101														
	530	4261	3922	3889	3822	4203	4011	4013	152														
ARIA-1-L Turtle Safe (590 nm) LPW DATA																							
# LEDs	Current (mA)	T1	T2	T3	T4	T5	T5W	T5WR	Wattage														
32	350	30	27	27	27	29	28	28	35														
	530	27	25	25	24	27	26	26	56														
48	350	29	27	26	26	28	27	27	55														
	530	28	26	26	25	28	27	27	80														
64	350	29	27	27	26	29	27	27	71														
	530	28	26	26	25	28	27	27	104														
80	350	30	28	28	27	30	29	29	84														
	530	28	26	26	26	28	27	27	128														
96	350	30	28	27	27	30	28	28	101														
	530	28	26	26	25	28	26	26	152														
ARIA-1-L Turtle Safe (590 nm) BUG DATA																							
# LEDs	Current (mA)	T1			T2			T3			T4			T5			T5W			T5WR			Wattage
		B	U	G	B	U	G	B	U	G	B	U	G	B	U	G	B	U	G	B	U	G	
16	350	1	0	1	0	0	1	0	0	1	0	0	1	1	0	0	1	0	0	1	0	0	35
	530	1	0	1	1	0	1	0	0	1	0	0	1	1	0	0	1	0	1	1	0	0	56
32	350	1	0	1	1	0	1	0	0	1	0	0	1	1	0	0	1	0	1	1	0	1	55
	530	1	0	1	1	0	1	1	0	1	1	0	1	1	0	1	2	0	1	2	0	1	80
48	350	1	0	1	1	0	1	1	0	1	1	0	1	1	0	1	1	0	1	2	0	1	71
	530	1	0	1	1	0	1	1	0	1	1	0	1	2	0	1	2	0	1	2	0	1	104
80	350	1	0	1	1	0	1	1	0	1	1	0	1	1	0	1	2	0	1	2	0	1	84
	530	2	0	2	1	0	1	1	0	1	1	0	1	2	0	1	2	0	1	2	0	1	128
96	350	2	0	2	1	0	1	1	0	1	1	0	1	2	0	1	2	0	1	2	0	1	101
	530	2	0	2	1	0	2	1	0	1	1	0	1	2	0	1	2	0	1	3	0	1	152
ARIA-1-L Turtle Safe - ELECTRICAL LOAD (A)																							
Ordering Nomenclature	System Watts	120	208	240	277	347	480																
ARI-1-L-T5W-32LC-3	35	0.29	0.17	0.15	0.13	0.10	0.07																
ARI-1-L-T5W-32LC-5	56	0.47	0.27	0.23	0.20	0.16	0.12																
ARI-1-L-T5W-48LC-3	55	0.46	0.26	0.23	0.20	0.16	0.11																
ARI-1-L-T5W-48LC-5	80	0.67	0.38	0.33	0.29	0.23	0.17																
ARI-1-L-T5W-64LC-3	71	0.59	0.34	0.30	0.26	0.20	0.15																
ARI-1-L-T5W-64LC-5	104	0.87	0.50	0.43	0.38	0.30	0.22																
ARI-1-L-T5W-80LC-3	84	0.70	0.40	0.35	0.30	0.24	0.18																
ARI-1-L-T5W-80LC-5	128	1.07	0.62	0.53	0.46	0.37	0.27																
ARI-1-L-T5W-96LC-3	101	0.84	0.49	0.42	0.36	0.29	0.21																
ARI-1-L-T5W-96LC-5	152	1.27	0.73	0.63	0.55	0.44	0.32																