

# BSX-II LED Specifications

Shown with optional Decorative Shroud



Project Name:

Catalog Number:

Type:

The new **BOW SX LED** Series continues the unique contemporary design inspired by the sleek styling of the BOW family. Separating the extruded aluminum driver housing and the individual die-cast aluminum linear LED engines: optimize the life of the LEDs and the Driver(s); and maximizes the lumen output of the fixture.

Each of the individual LED light engines come with 16 LEDs; for a max total of 64 LEDs. Nine optical distribution patterns are available.

Available in 3000, 4000 or 5000 Kelvin temperature. A durable polyester powder coat finish is guaranteed for five years; and is available in standard or custom colors.

The **BOW SX LED** series is an exceptional choice for shopping centers, schools, office buildings, and general area lighting.

## Ordering Information

MODEL	OPTICS	SOURCE	CURRENT	KELVIN	VOLTAGE	MOUNTING	FINISH	OPTIONS	OPTIONS
<b>BSX-II-2</b>	<b>T1</b> Type 1	<b>32LC</b>	<b>3</b> 350mA	<b>3K</b> 3000K	<b>UNV</b> 120-277V	<b>PT</b> Post Top	<b>GY</b> Grey	<b>PCR-120</b>	<b>DIM</b> 0-10v Dimming Driver No Controls
<b>BSX-II-3</b>	<b>T2</b> Type 2	<b>48LC</b>	<b>5</b> 530mA	<b>4K</b> 4000K	<b>8</b> 347V	<b>MA</b> Mast Arm Fitter	<b>SL</b> Silver Metallic	<b>PCR-208</b>	<b>WSC-8</b> Motion Sensor 8' Mounting Height
<b>BSX-II-4</b>	<b>T3</b> Type 3	<b>64LC</b>	<b>7</b> 700mA	<b>5K</b> 5000K	<b>5</b> 480V	<b>KM</b> Knuckle Mount	<b>BK</b> Black	<b>PCR-240</b>	<b>WSC-20</b> Motion Sensor 9-20' Mounting Height
	<b>T4</b> Type 4		<b>10</b> 1050mA			<b>BOA</b> Bolt-On Arm	<b>SBK</b> Smooth Black	<b>PCR-277</b>	<b>WSC-40</b> Motion Sensor 21-40' Mounting Height
	<b>T4A</b> Type 4 Automotive					<b>TM</b> Trunnion Mount	<b>WH</b> White	<b>PCR-347</b>	<b>WSC-40</b> Motion Sensor 21-40' Mounting Height
	<b>T5</b> Type 5					<b>WM</b> Wall Mount	<b>SWH</b> Smooth White	<b>PCR-480</b> Photocell & Receptacle	<b>PER</b> 3, 5, or 7 Pin Photo Receptacle w/shorting cap Requires Dimming Driver
	<b>T5W</b> Type 5 Wide					<b>AWM</b> Adjustable Wall Mount	<b>BZ</b> Bronze	<b>DS</b> Decorative Shroud	<b>ROT-R</b> Rotated Optics Right Side
	<b>FN</b> Flood Narrow						<b>GP</b> Graphite	<b>RPP</b> Round Pole Plate Adaptor For 3"Ø - 5"Ø Pole	<b>ROT-L</b> Rotated Optics Left Side
	<b>FM</b> Flood Medium						<b>CC</b> Custom Color	<b>UPMA-S</b> Universal Square Pole Mount Adaptor	<b>VWC</b> Visionaire Wireless Controls *Consult Factory
								<b>UPMA-R</b> Universal Round Pole Mount Adaptor	<b>ZFP</b> Zinc-Free Primer

\*The WSC option will require (1) FSIR 100 remote for programming

## Housing

The LED light engines are constructed of heavy-duty, die-cast aluminum, with external heat radiating fins.

## Driver Compartment

The separate driver housing is constructed of extruded aluminum, with vented cast aluminum end covers and stainless steel fasteners; for easy access to the LED driver(s); allowing for cooler operation and longer driver life. One-piece gasketing is utilized throughout the fixture for weather tight operation.

## Thermal Management

- The BOW SX Series provides excellent overall thermal management by maximizing the fixture's heat sink capabilities. This enables the BOW SX Series to withstand higher ambient temperatures and drive currents without degrading LED life.
- The L70 test determines the point in an LEDs life when it reaches 70 percent of its initial output. The BOW SX Series LEDs have been determined to last a minimum of 100,000 hours in 25°C environments when driven at 350 mA.

## Optical System

- The highest lumen output, LEDs are utilized in the BOW SX Series. IES distribution Types 1, 2, 3, 4, 4A, 5, 5W, FN and FM are available. LED light engines come in multiples of 16 LEDs.
- CRI values are 70.

## Quali-Guard® Finish

- The finish is a Quali-Guard® textured, chemically pretreated through a multiple-stage washer, electrostatically applied, thermoset polyester powder coat finish, with a minimum of 3-5 millimeter thickness. Finish is oven-baked at 400 °F to promote maximum adherence and finish hardness.
- All finishes are available in standard and custom colors.
- Finish is guaranteed for five (5) years.
- Zinc-Free Primer is used as an additional protective barrier between the luminaire and harsh environments

## Mounting

- An adjustable knuckle slip fits over a 2 3/8" Tenon, and allows for up to 50° degrees of vertical adjustment in 10° degree increments from horizontal, as well as full side to side adjustment with the knuckle mount.
- A round extruded 6" aluminum, Bolt-On Arm (BOA) with an in-pole nut plate. A Round Pole Plate Adapter (RPP) is required for mounting to round poles.
- A cast wall mount plate is available for wall mount applications.

## Electrical Assembly

- The BOW SX Series is supplied with a choice of 350, 530, 700, or 1000 mA high-performance LED drivers, that accept 120v thru 480v, 50 Hz to 60 Hz, input.
- Rated for -40 °C to +55 °C operations.
- Power factor of 90%.
- THD less than or equal to 20%
- 20 kV surge protector supplied as standard.
- 0-10v Dimming Driver supplied as standard.

## Warranty

Five (5) year Limited Warranty on entire system, including finish. For full warranty information, please visit [VisionaireLighting.com](http://VisionaireLighting.com).

## Options

- Photocell & Receptacle
- Photo Receptacle
- Round Pole Plate Adapter
- Motion Sensor
- Universal Pole Mount Adapter
- Decorative Shroud
- Dimming Driver
- Wireless Controls
- Rotated Optics
- Cut-off Louver Shield

## Listings

- BOW SX Series is UL listed, suitable for wet locations
- Meets ANSI C136.31-2010 3G Vibration Standards
- Powder Coated Tough™
- IP-66 Rated
- DLC Listed
- IDA Certification
- Pangealink

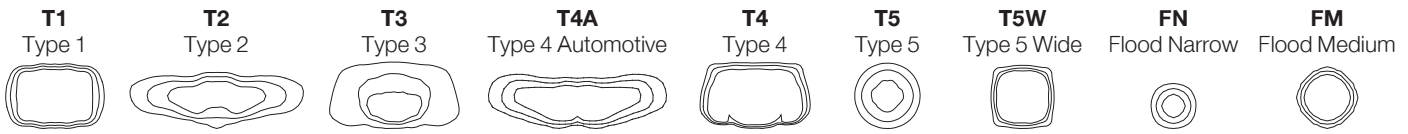


DesignLights Consortium (DLC) qualified Product. Some configurations of this product family may not be DesignLights Consortium (DLC) listed, please refer to the DLC qualified products list to confirm listed configurations. <http://www.designlights.org/>  
3000K must be selected with a fixed mount for IDA certification.  
Fixed mount must be selected for IDA dark sky certification.

BSX-II - ELECTRICAL CHART							
Ordering Nomenclature	System Watts	120	208	240	277	347	480
<b>BSX-II-2-T5W-32LC-3</b>	<b>36</b>	.30	.17	.15	.13	.10	.08
<b>BSX-II-2-T5W-32LC-5</b>	<b>53</b>	.44	.25	.22	.19	.15	.11
<b>BSX-II-2-T5W-32LC-7</b>	<b>72</b>	.60	.35	.30	.26	.21	.15
<b>BSX-II-2-T5W-32LC-10</b>	<b>109</b>	.91	.52	.45	.39	.31	.23
<b>BSX-II-2-T5W-32LC-3</b>	<b>54</b>	.45	.26	.23	.19	.16	.11
<b>BSX-II-2-T5W-32LC-5</b>	<b>81</b>	.68	.39	.34	.29	.23	.17
<b>BSX-II-2-T5W-32LC-7</b>	<b>106</b>	.88	.51	.44	.38	.31	.22
<b>BSX-II-2-T5W-32LC-10</b>	<b>162</b>	1.35	.78	.68	.58	.47	.34
<b>BSX-II-2-T5W-32LC-3</b>	<b>73</b>	.61	.35	.30	.26	.21	.15
<b>BSX-II-2-T5W-32LC-5</b>	<b>107</b>	.89	.51	.45	.39	.31	.22
<b>BSX-II-2-T5W-32LC-7</b>	<b>139</b>	1.16	.67	.58	.50	.40	.29
<b>BSX-II-2-T5W-32LC-10</b>	<b>221</b>	1.84	1.06	.92	.80	.64	.46

# BSX-II LED Specifications

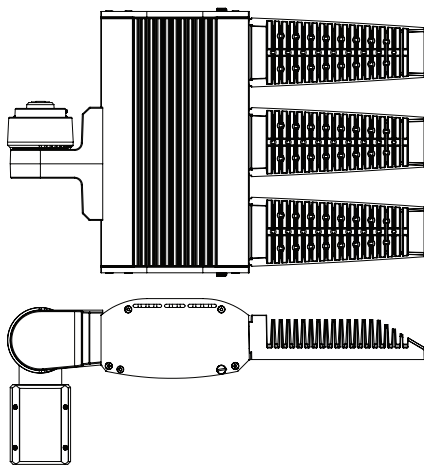
## Photometric Optical Summary



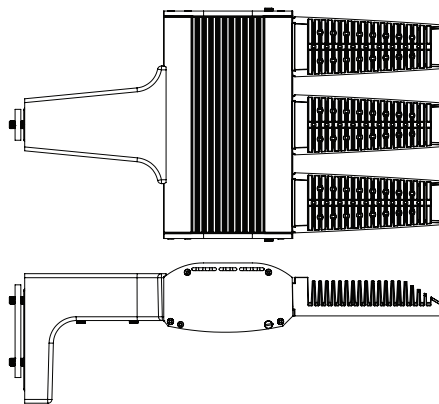
## Dimensions

Knuckle Mount		Bolt-On Arm		Mast Arm		Post Top		Trunnion Mount		Adjustable Wall Mount	
<b>Width:</b>	BSX-II-2 15" BSX-II-3 15" BSX-II-4 17"	<b>Width:</b>	BSX-II-2 15" BSX-II-3 15" BSX-II-4 17"	<b>Width:</b>	BSX-II-2 15" BSX-II-3 15" BSX-II-4 17"	<b>Width:</b>	BSX-II-2 15" BSX-II-3 15" BSX-II-4 17"	<b>Width:</b>	BSX-II-2 15" BSX-II-3 15" BSX-II-4 17"	<b>Width:</b>	BSX-II-2 14" BSX-II-3 15" BSX-II-4 17"
<b>Depth:</b>	BSX-II-2 29" BSX-II-3 29" BSX-II-4 29"	<b>Depth:</b>	BSX-II-2 27" BSX-II-3 27" BSX-II-4 27"	<b>Depth:</b>	BSX-II-2 28" BSX-II-3 28" BSX-II-4 28"	<b>Depth:</b>	BSX-II-2 27" BSX-II-3 27" BSX-II-4 27"	<b>Depth:</b>	BSX-II-2 25" BSX-II-3 25" BSX-II-4 25"	<b>Depth:</b>	BSX-II-2 25" BSX-II-3 25" BSX-II-4 25"
<b>Height:</b>	BSX-II-2 5" BSX-II-3 5" BSX-II-4 5"	<b>Height:</b>	BSX-II-2 9" BSX-II-3 9" BSX-II-4 9"	<b>Height:</b>	BSX-II-2 5" BSX-II-3 5" BSX-II-4 5"	<b>Height:</b>	BSX-II-2 5" BSX-II-3 5" BSX-II-4 5"	<b>Height:</b>	BSX-II-2 5" BSX-II-3 5" BSX-II-4 5"	<b>Height:</b>	BSX-II-2 8" BSX-II-3 8" BSX-II-4 8"

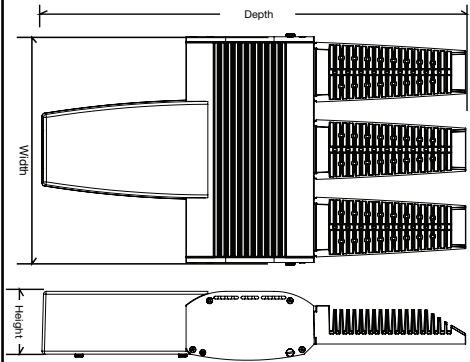
### Knuckle Mount



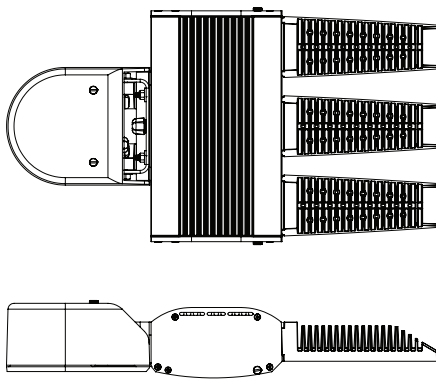
### Bolt-On Arm



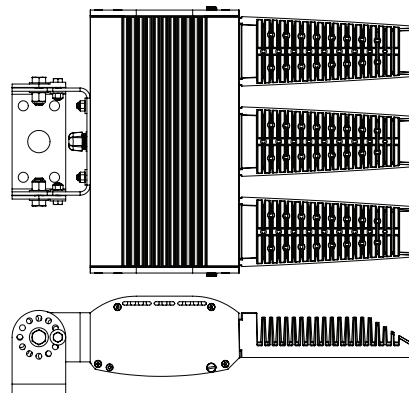
### Mast Arm



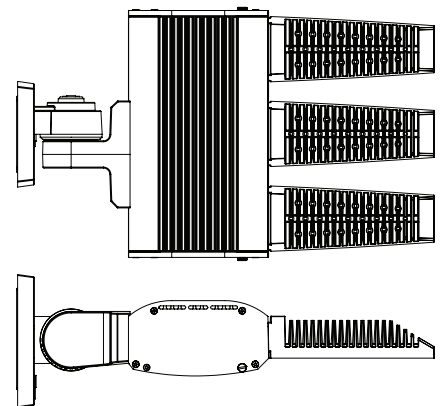
### Post Top Mount



### Trunnion Mount



### Adjustable Wall Mount



<b>BSX-II 3K Lumen Data</b>											
#LED's	mA	T1	T2	T3	T4	T4A	T5	T5W	FN	FM	Watts
32	350	5285	4841	4850	4867	5497	4913	4649	5591	5728	36
	530	7438	6813	6826	6850	7736	6914	6543	7868	8061	53
	700	9737	8919	8936	8967	10127	9051	8565	10300	10553	72
	1050	12857	11778	11799	11841	13373	11952	11310	13601	13935	109
48	350	7669	7025	7038	7063	7976	7129	6746	8113	8311	54
	530	11044	10116	10135	10171	11486	10266	9715	11683	11969	81
	700	13981	12807	12831	12876	14541	12996	12298	14790	15153	106
	1050	19401	17772	17805	17868	20179	18035	17066	20524	21027	162
64	350	10704	9805	9823	9858	11133	9950	9416	11323	11601	73
	530	15462	14164	14190	14240	16082	14374	13602	16357	16758	107
	700	19459	17825	17858	17921	20239	18089	17117	20585	21090	139
	1050	25714	23556	23599	23682	26745	23904	22620	27203	27870	221
<b>BSX-II 4K Lumen Data</b>											
#LED's	mA	T1	T2	T3	T4	T4A	T5	T5W	FN	FM	Watts
32	350	5563	5096	5105	5123	5786	5171	4894	5885	6029	36
	530	7829	7172	7185	7210	8143	7278	6887	8282	8485	53
	700	10249	9389	9406	9439	10660	9527	9016	10842	11108	72
	1050	13534	12398	12420	12464	14076	12581	11905	14317	14668	109
48	350	8072	7395	7408	7434	8396	7504	7101	8540	8749	54
	530	11625	10649	10668	10706	12091	10806	10226	12298	12599	81
	700	14717	13481	13506	13554	15307	13680	12946	15568	15950	106
	1050	20422	18708	18742	18808	21241	18984	17965	21604	22134	162
64	350	11267	10321	10340	10377	11719	10474	9911	11919	12212	73
	530	16276	14910	14937	14990	16929	15130	14318	17218	17640	107
	700	20483	18763	18798	18864	21304	19041	18018	21668	22200	139
	1050	27068	24795	24841	24928	28153	25162	23811	28634	29336	221
<b>BSX-II 5K Lumen Data</b>											
#LED's	mA	T1	T2	T3	T4	T4A	T5	T5W	FN	FM	Watts
32	350	5338	4890	4899	4916	5552	4962	4696	5647	5786	36
	530	7513	6882	6895	6919	7814	6984	6609	7948	8143	53
	700	9835	9009	9026	9058	10229	9143	8652	10404	10659	72
	1050	12987	11897	11919	11961	13508	12073	11424	13739	14076	109
48	350	7746	7096	7109	7134	8057	7201	6814	8195	8395	54
	530	11155	10219	10237	10274	11602	10370	9813	11801	12090	81
	700	14122	12936	12960	13006	14688	13128	12423	14939	15306	106
	1050	19597	17952	17985	18048	20383	18217	17239	20731	21239	162
64	350	10812	9904	9922	9957	11245	10051	9511	11438	11718	73
	530	15618	14307	14334	14384	16245	14519	13739	16522	16928	107
	700	19655	18005	18038	18102	20443	18272	17290	20793	21303	139
	1050	25974	23794	23837	23921	27015	24145	22848	27477	28151	221
<b>BSX-II EPA Data</b>				<b>BSX-II Weight</b>							
Tilt Deg.	BSX-2	BSX-3	BSX-4	BSX-2	BSX-3	BSX-4					
0	.58	.58	.59	16 LBS	21LBS	26 LBS					
10	.58	.62	.77								
20	.62	.82	1.02								
30	.76	1.02	1.28								
40	.9	1.2	1.53								
50	1.01	1.36	1.75								

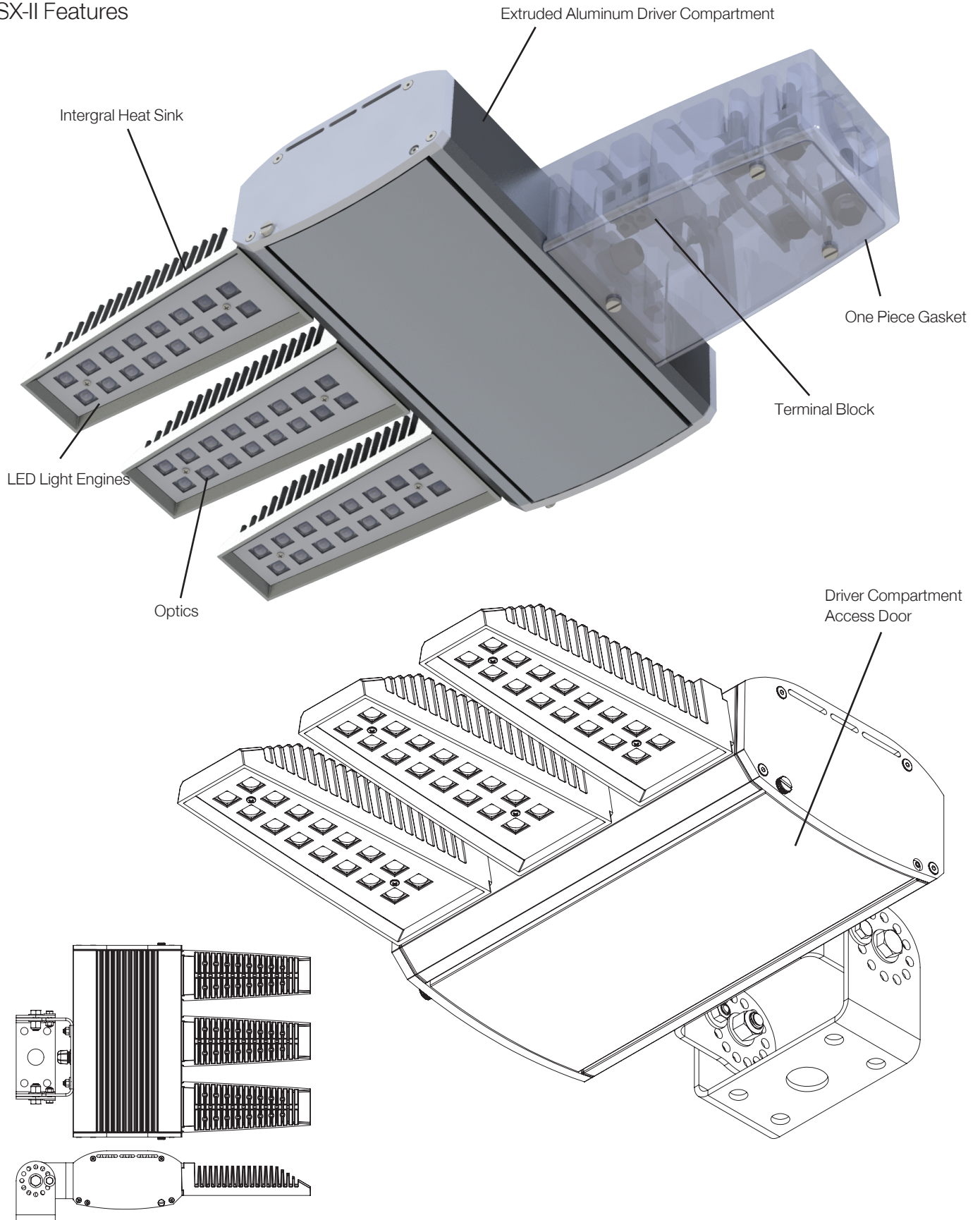
# BSX-II LED Specifications

BSX-II 3K LPW Data											
#LED's	mA	T1	T2	T3	T4	T4A	T5	T5W	FN	FM	Watts
32	350	147	134	135	135	153	136	129	155	159	36
	530	140	129	129	129	146	130	123	148	152	53
	700	135	124	124	125	141	126	119	143	147	72
	1050	118	108	108	109	123	110	104	125	128	109
48	350	142	130	130	131	148	132	125	150	154	54
	530	136	125	125	126	142	127	120	144	148	81
	700	132	121	121	121	137	123	116	140	143	106
	1050	120	110	110	110	125	111	105	127	130	162
64	350	147	134	135	135	153	136	129	155	159	73
	530	145	132	133	133	150	134	127	153	157	107
	700	140	128	128	129	146	130	123	148	152	139
	1050	116	107	107	107	121	108	102	123	126	221
BSX-II 4K LPW Data											
#LED's	mA	T1	T2	T3	T4	T4A	T5	T5W	FN	FM	Watts
32	350	155	142	142	142	161	144	136	163	167	36
	530	148	135	136	136	154	137	130	156	160	53
	700	142	130	131	131	148	132	125	151	154	72
	1050	124	114	114	114	129	115	109	131	135	109
48	350	149	137	137	138	155	139	131	158	162	54
	530	144	131	132	132	149	133	126	152	156	81
	700	139	127	127	128	144	129	122	147	150	106
	1050	126	115	116	116	131	117	111	133	137	162
64	350	154	141	142	142	161	143	136	163	167	73
	530	152	139	140	140	158	141	134	161	165	107
	700	147	135	135	136	153	137	130	156	160	139
	1050	122	112	112	113	127	114	108	130	133	221
BSX-II 5K LPW Data											
#LED's	mA	T1	T2	T3	T4	T4A	T5	T5W	FN	FM	Watts
32	350	148	136	136	137	154	138	130	157	161	36
	530	142	130	130	131	147	132	125	150	154	53
	700	137	125	125	126	142	127	120	145	148	72
	1050	119	109	109	110	124	111	105	126	129	109
48	350	143	131	132	132	149	133	126	152	155	54
	530	138	126	126	127	143	128	121	146	149	81
	700	133	122	122	123	139	124	117	141	144	106
	1050	121	111	111	111	126	112	106	128	131	162
64	350	148	136	136	136	154	138	130	157	161	73
	530	146	134	134	134	152	136	128	154	158	107
	700	141	130	130	130	147	131	124	150	153	139
	1050	118	108	108	108	122	109	103	124	127	221

BSX-II 3K BUG Data																																
LED's	mA	T1			T2			T3			T4			T4A			T5			T5W			FN			FM			Watts			
32	350	2	0	2	1	0	2	1	0	1	1	0	1	1	0	1	2	0	1	3	0	1	3	0	1	3	0	1	3	0	1	36
	530	3	0	3	2	0	2	1	0	2	1	0	2	1	0	1	3	0	1	3	0	1	4	0	1	4	0	1	4	0	1	53
	700	3	0	3	2	0	3	1	0	2	2	0	2	2	0	1	3	0	1	3	0	2	4	0	1	4	0	1	4	0	1	72
	1050	3	0	3	3	0	3	2	0	2	2	0	2	2	0	2	3	0	2	4	0	2	5	0	1	5	0	1	5	0	1	109
48	350	3	0	3	2	0	2	1	0	2	2	0	2	1	0	1	3	0	1	3	0	1	4	0	1	4	0	1	4	0	1	54
	530	3	0	3	2	0	3	1	0	2	2	0	2	2	0	1	3	0	2	3	0	2	4	0	1	4	0	1	4	0	1	81
	700	3	0	3	3	0	3	2	0	2	2	0	2	2	0	2	3	0	2	4	0	2	5	0	1	5	0	1	5	0	1	106
	1050	4	0	4	3	0	3	2	0	3	3	0	3	3	0	2	4	0	2	4	0	2	5	0	1	5	0	1	5	0	1	162
64	350	3	0	3	2	0	3	1	0	2	2	0	2	2	0	1	3	0	2	3	0	2	4	0	1	4	0	1	4	0	1	73
	530	4	0	4	3	0	3	2	0	2	3	0	3	2	0	2	4	0	2	4	0	2	5	0	1	5	0	1	5	0	1	107
	700	4	0	4	3	0	3	2	0	3	3	0	3	3	0	2	4	0	2	4	0	2	5	0	1	5	0	1	5	0	1	139
	1050	4	0	4	3	0	4	3	0	4	3	0	4	3	0	3	4	0	2	5	0	3	5	0	1	5	0	1	5	0	1	221
BSX-II 4K BUG Data																																
LED's	mA	T1			T2			T3			T4			T4A			T5			T5W			FN			FM			Watts			
32	350	2	0	2	1	0	2	1	0	1	1	0	2	1	0	1	2	0	1	3	0	1	3	0	1	3	0	1	3	0	1	36
	530	3	0	3	2	0	2	1	0	2	2	0	2	1	0	1	3	0	1	3	0	1	4	0	1	4	0	1	4	0	1	53
	700	3	0	3	2	0	3	1	0	2	2	0	2	2	0	1	3	0	1	3	0	2	4	0	1	4	0	1	4	0	1	72
	1050	3	0	3	3	0	3	2	0	2	2	0	2	2	0	2	3	0	2	4	0	2	5	0	1	5	0	1	5	0	1	109
48	350	3	0	3	2	0	2	1	0	2	2	0	2	1	0	1	3	0	1	3	0	1	4	0	1	4	0	1	4	0	1	54
	530	3	0	3	2	0	3	1	0	2	2	0	2	2	0	1	3	0	2	3	0	2	4	0	1	4	0	1	4	0	1	81
	700	3	0	3	3	0	3	2	0	2	2	0	2	2	0	2	3	0	2	4	0	2	5	0	1	5	0	1	5	0	1	106
	1050	4	0	4	3	0	3	2	0	3	3	0	3	3	0	2	4	0	2	4	0	2	5	0	1	5	0	1	5	0	1	162
64	350	3	0	3	2	0	3	1	0	2	2	0	2	2	0	1	3	0	2	3	0	2	4	0	1	4	0	1	4	0	1	73
	530	4	0	4	3	0	3	2	0	2	3	0	3	2	0	2	4	0	2	4	0	2	5	0	1	5	0	1	5	0	1	107
	700	4	0	4	3	0	3	2	0	3	3	0	3	3	0	2	4	0	2	4	0	2	5	0	1	5	0	1	5	0	1	139
	1050	4	0	4	3	0	4	3	0	4	3	0	4	3	0	3	4	0	2	5	0	3	5	0	1	5	0	1	5	0	1	221
BSX-II 5K BUG Data																																
LED's	mA	T1			T2			T3			T4			T4A			T5			T5W			FN			FM			Watts			
32	350	2	0	2	1	0	2	1	0	1	1	0	1	1	0	1	2	0	1	3	0	1	3	0	1	3	0	1	3	0	1	36
	530	3	0	3	2	0	2	1	0	2	1	0	2	1	0	1	3	0	1	3	0	1	4	0	1	4	0	1	4	0	1	53
	700	3	0	3	2	0	3	1	0	2	2	0	2	2	0	1	3	0	1	3	0	2	4	0	1	4	0	1	4	0	1	72
	1050	3	0	3	3	0	3	2	0	2	2	0	2	2	0	2	3	0	2	4	0	2	5	0	1	5	0	1	5	0	1	109
48	350	3	0	3	2	0	2	1	0	2	2	0	2	1	0	1	3	0	1	3	0	1	4	0	1	4	0	1	4	0	1	54
	530	3	0	3	2	0	3	1	0	2	2	0	2	2	0	1	3	0	2	3	0	2	4	0	1	4	0	1	4	0	1	81
	700	3	0	3	3	0	3	2	0	2	2	0	2	2	0	2	3	0	2	4	0	2	5	0	1	5	0	1	5	0	1	106
	1050	4	0	4	3	0	3	2	0	3	3	0	3	3	0	2	4	0	2	4	0	2	5	0	1	5	0	1	5	0	1	162
64	350	3	0	3	2	0	3	1	0	2	2	0	2	2	0	1	3	0	2	3	0	2	4	0	1	4	0	1	4	0	1	73
	530	4	0	4	3	0	3	2	0	2	3	0	3	2	0	2	4	0	2	4	0	2	5	0	1	5	0	1	5	0	1	107
	700	4	0	4	3	0	3	2	0	3	3	0	3	3	0	2	4	0	2	4	0	2	5	0	1	5	0	1	5	0	1	139
	1050	4	0	4	3	0	4	3	0	4	3	0	4	3	0	3	4	0	2	5	0	3	5	0	1	5	0	1	5	0	1	221

# BSX-II LED Specifications

## BSX-II Features

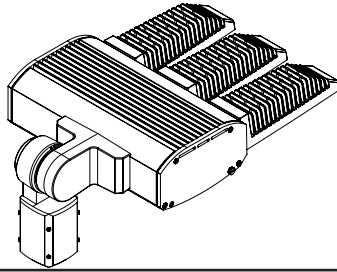




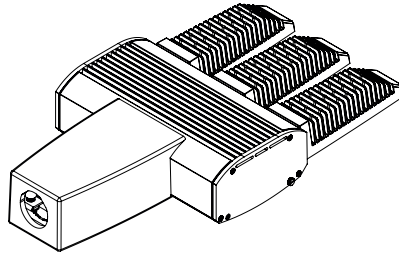
---

**BSX-II Mounting Options**

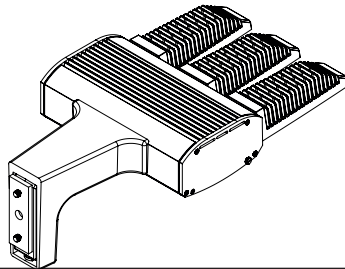

---

**Knuckle Mount**

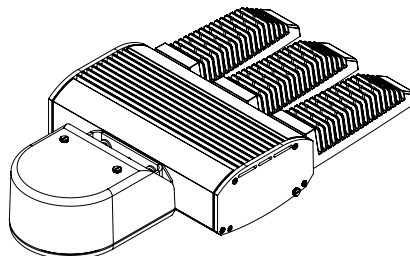
An adjustable knuckle slip fits over a 2 3/8" Tenon, and allows for up to 50° degrees of vertical adjustment in 10° degree increments from horizontal, as well as full side to side adjustment with the knuckle mount.

**Mast Arm Mount**

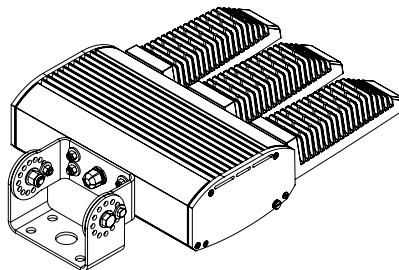
Mast Arm (MA) Fitter fits over a 2" - 2-3/8" tenon and supplied with terminal block as standard.

**Arm Mount**

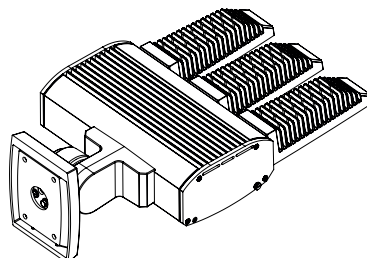
The Bolt -On Arm (BOA) utilizes a 2 piece cleat system for easy installation. A Round Pole Plate Adaptor (RPP) is required for mounting to round poles.

**Post Top Mount**

Post Top fits over a 2 3/8" tenon and is adjustable up to 45°.

**Trunnion Mount**

Trunnion Mount is adjustable up to 50°.

**Wall Mount**

Wall Mount (WM). Not supplied with terminal block.