

TURTLE SAFE **LED** Luminaires

QUALITY • PERFORMANCE • STYLE



 **VISIONAIRE**
L I G H T I N G



Turtle Safe LED Lighting

We understand the challenge of meeting the light pollution requirements placed by the authorities in coastal areas near well-established turtle nests and areas surrounding observatories.

In the past to meet requirements, conventional lighting sources were installed with special "Low Pressure Sodium" bulbs. There had not been many viable options for LEDs for this application due to the performance of Amber LEDs on the market.

Recent improvements on true amber, also known as **AllnGaP LEDs**, Visionaire Lighting is able to offer LED fixtures that are comparable to its LPS predecessors. Our new Turtle Safe fixtures have been designed and tested to meet the general requirements of the Florida Wildlife Commission for Turtle Safe Lighting.

Our Turtle Safe fixtures operate at a dominant wavelength of 590nm. We offer custom shielding options to ensure that your fixtures will pass inspections, and meet your particular sites special photometric requirements.

This makes our fixtures ideal for installations with stringent light pollution requirements such as near observatories, beaches or any locations where light pollution is of significant concern, or turtle nesting areas. Switching to LED can also help minimize your carbon footprint.

KEY FEATURES

- Uses only long wavelength, **590 nm**, "turtle friendly" LED Lighting
- Longer lifetime/lower maintenance cost
- True Amber **AllnGaP LEDs**
- Optimal photometric distributions
- Lower maintenance
- Directional light distribution
- Wireless controlled motion sensors
- Custom shields are available upon request



Wildlife Certified Lighting

The Wildlife Lighting Program was developed by the Department of the Interior's U.S. Fish and Wildlife Service and the Florida Fish and Wildlife Conservation Commission to address light pollution issues in ecologically sensitive areas while ensuring human safety and security.

We at Visionaire Lighting have several lighting fixtures and LED lamps which meet or exceeded all three criteria for the Wildlife Lighting Certification Program:

1. The fixtures are downward directed with luminaires
2. Produce a spectral output above 560 nm+
3. These luminaires are recommended for use in areas where artificial lighting is needed adjacent to ecologically sensitive areas, sea turtle nesting beaches, migratory corridors, and Dark Sky Friendly communities.

For information or assistance with commercial lighting designs that balances both the human need for lighting that provides safety and security, is energy efficient and aesthetically pleasing, as well as minimizes adverse ecological impact, contact:

Visionaire Lighting
19645 Rancho Way
Rancho Dominguez, CA 90220-6028
<https://visionairelighting.com>

or contact:
Jeremy Streit
jstreit@visionairelighting.com
(562) 232-2562



VSC-II

VLX

VMX

VSX



V-Collection

VLX Wildlife Certified LED Specifications



Project Name: _____

Catalog Number: _____

Type: _____

The new **VLX LED** series offers clean, functional styling that is defined by its sleek low profile design and rugged construction. It combines LED performance and advanced LED thermal management technology and provides outdoor lighting that is both energy efficient and aesthetically pleasing.

The LED's performance and the driver's life are maximized by enclosing them in two separate die cast aluminum housings. Easy tool-less access for mounting and maintenance.

The LED light assemblies come with 96 to 192 LEDs. Eight optical distribution patterns are available. 590 nm diode supplied as standard.

A durable polyester powder coat finish is guaranteed for five years; and is available in standard or custom colors.

The **VLX LED** series is an exceptional choice for commercial parking lots, office complexes, architectural projects, and other general lighting projects.

Ordering Information

MODEL	OPTICS	LEDS	CURRENT	KELVIN	VOLTAGE	MOUNTING	FINISH	OPTIONS	OPTIONS
VLX-1	T1	96LC	3	TS	UNV	AM	BZ	PCR-120	RPP3
	T2	128LC	350mA	590 nm	120-277V	Arm Mount	Bronze	Photocell & Receptacle	For 3" Ø Pole - Round Pole Plate Adaptor
	T3	160LC	5		8	Round Pole Plate Adaptors (RPP) are to be ordered separately.	BK	PCR-208	RPP4
	T4	192LC	530mA	347V	Black		Photocell & Receptacle	For 4" Ø Pole - Round Pole Plate Adaptor	
	T4A				5	WM	SBK	PCR-240	RPP5
	T5				480V	Wall Mount	Black	Photocell & Receptacle	For 5" Ø Pole - Round Pole Plate Adaptor
	T5W					Requires BAWP	WH	PCR-277	UPMA-S
	T5WR					BAWP to be ordered separately.	White	Photocell & Receptacle	Universal Square Pole Mount Adaptor
							SWH	PCR-347	UPMA-R
							Smooth White	Photocell & Receptacle	Universal Round Pole Mount Adaptor
						GP	PCR-480	BAWP	
						Graphite	Photocell & Receptacle	Cast Wall Plate	
						GY	PER	ROT-R	
						Grey	3 Pin Photo Receptacle w/shorting cap	Rotated Optics Right Side	
						SL	5PINPER	ROT-L	
						Silver	5 Pin Photo Receptacle w/shorting cap	Rotated Optics Left Side	
						Metallic	Requires Dimming Driver	VWC	
						CC	7PINPER	Wireless Controls Consult Factory	
						Custom Color	Requires Dimming Driver	LS	
							DIM	Light Shield	
							0-10v Dimming Driver		
							WSC-8		
							Motion Sensor 8' Mounting Height		
							WSC-20		
							Motion Sensor 9-20' Mounting Height		
							WSC-40		
							Motion Sensor 21-40' Mounting Height		

The WSC option will require (1) FSIR 100 remote for programming

Features & Specifications

VLX Wildlife Certified

Heatsink

Die cast aluminum heatsink with integral cooling fins for thermal management.

Mounting Arm/Driver Compartment

- Durable two-piece die cast aluminum driver compartment utilizes a tool-less push button latch for ease of maintenance and sealed with a one-piece silicone gasket.
- Meets ANSI C136.31-2010 1.5G Vibration Standards.

Thermal Management

- The VLX series provides excellent thermal management by mounting the LEDs to the substantial heat sink of the housing. This enables the Luminaire to withstand higher ambient temperatures and driver currents without degrading LED life.
- The L70 test determines the point in an LEDs life when it reaches 70 percent of its initial output. The VLX series LEDs have been determined to last 90,000+ hours in 25° C environments when driven at 350 mA.

Optical System

- The highest lumen output LEDs are utilized in the VLX series.
- IES distribution Types 1, 2, 3, 4, 4A, 5, 5W and 5WR are available.
- The optical system qualifies as IES full cutoff to restrict light trespass, glare and light pollution.
- 590 nm diode supplied as standard.

Quali-Guard® Finish

- The finish is a Quali-Guard® textured, chemically pretreated through a multiple-stage washer, electrostatically applied, thermoset polyester powder coat finish, with a minimum of 3-5 millimeter thickness. Finish is oven-baked at 400° F to promote maximum adherence and finish hardness.
- All finishes are available in standard and custom colors.
- Finish is guaranteed for five (5) years.

Electrical Assembly

- The VLX LED series is supplied with a choice of 350 or 530 mA high-performance LED drivers that accept 120v thru 480v, 50 Hz to 60 Hz, input.
- Power factor of 90%.
- Rated for -40° C operations.
- 10 kV surge protector supplied as standard.
- Terminal block supplied as standard.

Warranty

Five (5) year Limited Warranty on entire system, including finish. For full warranty information, please visit visionairelighting.com.

Options

- Photocell & receptacle
- Photo receptacle
- Round pole plate adapter
- Cast Wall Plate
- 0-10v Dimming Driver
- Motion Sensor
- Wireless Control
- Universal Pole Mount Adaptor

Listings

- The VLX is ETL listed
- IP65 Rated
- Powder Coated Tough™
- IDA Certification
- Turtle Safe
- Certified Wildlife Lighting



The Wildlife Lighting Program was developed by the Department of the Interior's U.S. Fish and Wildlife Service and the Florida Fish and Wildlife Conservation Commission to address light pollution issues in ecologically sensitive areas while ensuring human safety and security.



Motion Sensor Default Setting									
Type	High Mode	Low Mode	Time Delay	Cut off Delay	Sensitivity	Hold Off Setpoint	Photocell On/Off	Ramp Up Time	Fade Down Time
WSC - Default	10V	1V	5 Min	1 Hour	Max	Disabled	Disabled	Disabled	Disabled
WSC Range	0-10V	0-9.8V	5-30 Min	1-5 Hours	Low, Med, Max	1-250FC	1-250FC	1-60 Dec	1-60 Dec

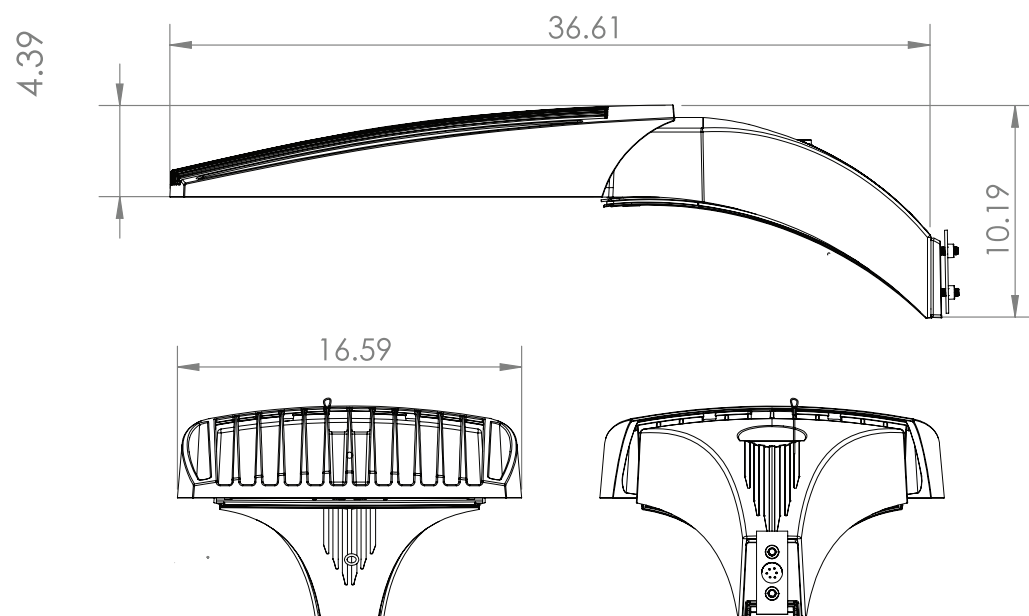
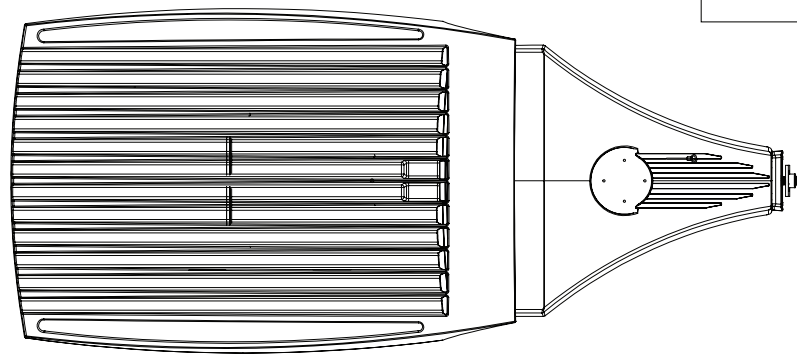
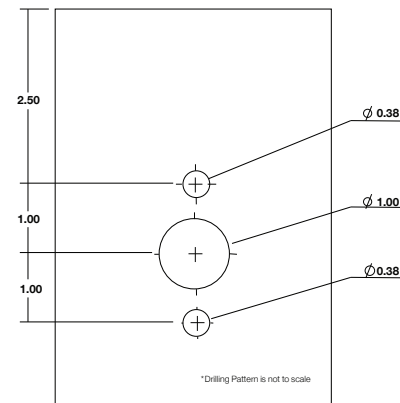
VLX Wildlife Certified LED Specifications

Photometric Optical Summary

	T1 Type 1	T2 Type 2	T3 Type 3	T4 Type 4	T4A Type 4 Automotive	T5 Type 5	T5W Type 5 Wide	T5WR Type 5 Wide Round
EPA Data	1.0	1.6	2.0	2.5	2.4	2.5		

Dimensions

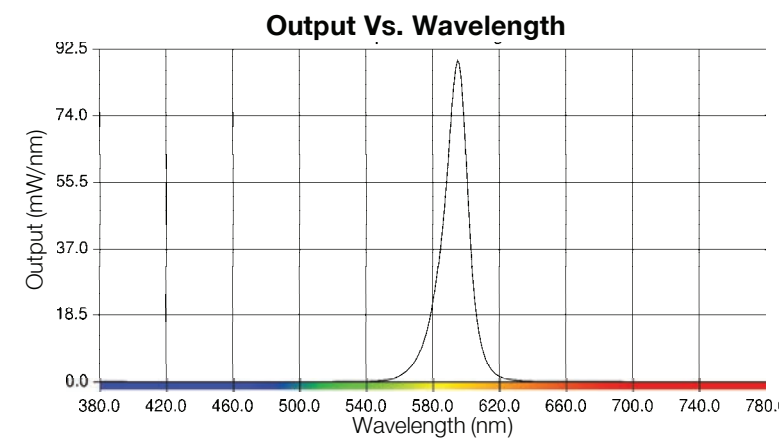
Width:	VLX-1 16.5"
Depth:	VLX-1 36.6"
Height:	VLX-1 4.39"
Overall Height:	VLX-1 10.19"
Weight:	58 LBS



VLX-I Wildlife Certified TS (590 nm) LUMEN DATA										
# LEDs	Current (mA)	T1	T2	T3	T4	T4A	T5	T5W	T5WR	Wattage
96	350	3472	3242	3294	3105	3481	3376	3376	3311	103
	530	4929	4597	4671	4403	4936	4787	4788	4695	159
128	350	4585	4281	4349	4100	4597	4458	4458	4372	136
	530	6845	6392	6494	6121	6863	6655	6656	6527	215
160	350	5765	5382	5469	5155	5779	5605	5605	5497	171
	530	8346	7793	7918	7463	8368	8115	8116	7958	266
192	350	6944	6484	6588	6210	6962	6752	6753	6622	206
	530	9847	9194	9341	8806	9872	9574	9575	9390	317

VLX-I Wildlife Certified TS (590 nm) LPW DATA										
# LEDs	Current (mA)	T1	T2	T3	T4	T4A	T5	T5W	T5WR	Wattage
96	350	34	31	32	30	34	33	33	32	103
	530	31	29	29	28	31	30	30	30	159
128	350	34	31	32	30	34	33	33	32	136
	530	32	30	30	28	32	31	31	30	215
160	350	34	31	32	30	34	33	33	32	171
	530	31	29	30	28	31	31	31	30	266
192	350	34	31	32	30	34	33	33	32	206
	530	31	29	29	28	31	30	30	30	317

VLX-I Wildlife Certified TS (590 nm) BUG DATA																										
# LEDs	Current (mA)	T1			T2			T3			T4			T4A			T5			T5W			T5WR			Wattage
		B	U	G	B	U	G	B	U	G	B	U	G	B	U	G	B	U	G	B	U	G				
96	350	2	0	2	1	0	1	1	0	1	1	0	1	1	0	1	1	0	1	2	0	1	2	0	1	103
	530	2	0	2	1	0	1	1	0	1	1	0	1	1	0	1	2	0	1	3	0	1	3	0	1	159
128	350	2	0	2	1	0	1	1	0	1	1	0	1	1	0	1	2	0	1	3	0	1	3	0	1	136
	530	2	0	2	1	0	2	2	0	2	1	0	1	1	0	1	2	0	1	3	0	2	3	0	1	215
160	350	2	0	2	1	0	1	1	0	1	1	0	1	1	0	1	2	0	1	3	0	1	3	0	1	171
	530	3	0	3	2	0	2	2	0	2	2	0	2	2	0	1	3	0	1	3	0	2	3	0	2	266
192	350	2	0	2	1	0	2	2	0	2	2	0	2	1	0	1	2	0	1	3	0	2	3	0	1	206
	530	3	0	3	2	0	2	2	0	2	2	0	2	2	0	1	3	0	1	4	0	2	3	0	2	317



VLX Wildlife Certified - ELECTRICAL LOAD (A)							
Ordering Nomenclature	System Watts	120	208	240	277	347	480
VLX-1-T5-96LC-3	103	0.86	0.50	0.43	0.37	0.30	0.21
VLX-1-T5-96LC-5	159	1.33	0.76	0.66	0.57	0.46	0.33
VLX-1-T5-128LC-3	136	1.13	0.65	0.57	0.49	0.39	0.28
VLX-1-T5-128LC-5	215	1.79	1.03	0.90	0.78	0.62	0.45
VLX-1-T5-160LC-3	171	1.43	0.82	0.71	0.62	0.49	0.36
VLX-1-T5-160LC-5	266	2.22	1.28	1.11	0.96	0.77	0.55
VLX-1-T5-192LC-3	206	1.72	0.99	0.86	0.74	0.59	0.43
VLX-1-T5-192LC-5	317	2.64	1.52	1.32	1.14	0.91	0.66



Project Name: _____

Catalog Number: _____

Type: _____

The **VMX LED** Series offers clean, functional styling that is defined by its sleek low profile design and rugged construction. It combines the latest LED technology, advanced LED thermal management and provides outdoor lighting that is both energy efficient and aesthetically pleasing.

The LED's performance and the driver's life are maximized by enclosing them in two separate cast aluminum housings. Easy tool-less access for mounting and maintenance.

The LED light assemblies come with 48 to 96 LEDs. Eight optical distribution patterns are available. 590 nm diode supplied as standard.

A durable polyester powder coat finish is guaranteed for five years; and is available in standard or custom colors.

The **VMX LED** series is an exceptional choice for commercial parking lots, office complexes, architectural projects, and other general lighting projects.

Ordering Information

MODEL	OPTICS	LEDs	CURRENT	KELVIN	VOLTAGE	MOUNTING	FINISH	OPTIONS	OPTIONS
VMX-1	FM	48LC	3	TS	UNV	AM	BZ	PCR-120	RPP3
	FN	64LC	350mA	590 nm	120-277V	Arm Mount	Bronze	Photocell & Receptacle	For 3" Ø Pole - Round Pole Plate Adaptor
	T1	80LC	5		8	Round Pole Plate Adaptors (RPP) are to be ordered separately.	Black	PCR-208	RPP4
	T2	96LC	530mA		347V		Smooth Black	Photocell & Receptacle	For 4" Ø Pole - Round Pole Plate Adaptor
	T3				5		White	Photocell & Receptacle	For 5" Ø Pole - Round Pole Plate Adaptor
	T4				480V	WM	WH	PCR-277	UPMA-S
	T4A					Wall Mount Requires BAWP	White	Photocell & Receptacle	Universal Square Pole Mount Adaptor
	T5					BAWP to be ordered separately.	SWH	PCR-347	UPMA-R
	T5W						Smooth White	Photocell & Receptacle	Universal Round Pole Mount Adaptor
	T5WR						GP	PCR-480	BAWP
						Graphite	Photocell & Receptacle	Cast Wall Plate	
						GY	PER	ROT-R	
						Grey	3 Pin Photo Receptacle w/shorting cap	Rotated Optics Right Side	
						SL	5PINPER	ROT-L	
						Silver Metallic	5 Pin Photo Receptacle w/shorting cap Requires Dimming Driver	Rotated Optics Left Side	
						CC	7PINPER	VWC	
						Custom Color	7 Pin Photo Receptacle w/shorting cap Requires Dimming Driver	Visionaire Wireless Controls Consult Factory	
							DIM	LS	
							0-10v Dimming Driver	Light Shield	
							WSC-8		
							Motion Sensor 8' Mounting Height		
							WSC-20		
							Motion Sensor 9-20' Mounting Height		
							WSC-40		
							Motion Sensor 21-40' Mounting Height		

The WSC option will require (1) FSIR 100 remote for programming

Heatsink

Cast aluminum heatsink with integral cooling fins for thermal management.

Mounting Arm/Driver Compartment

- Durable two-piece die cast aluminum driver compartment utilizes a tool-less push button latch for ease of maintenance and sealed with a one-piece silicone gasket.
- Meets ANSI C136.31-2010 1.5G Vibration Standards.

Thermal Management

- The VMX series provides excellent thermal management by mounting the LEDs to the substantial heat sink of the housing. This enables the Luminaire to withstand higher ambient temperatures and driver currents without degrading LED life.
- The L70 test determines the point in an LEDs life when it reaches 70 percent of its initial output.
- The VMX series LEDs have been determined to last 100,000+ hours in 25° C environments when driven at 350 mA.

Optical System

- The highest lumen output, LEDs are utilized in the VMX series.
- IES distribution Types FM, FN, 1, 2, 3, 4, T4, 5, 5W and 5WR are available.
- The optical system qualifies as IES full cutoff to restrict light trespass, glare and light pollution.
- 590 nm diode supplied as standard.

Quali-Guard® Finish

- The finish is a Quali-Guard® textured, chemically pretreated through a multiple-stage washer, electrostatically applied, thermoset polyester powder coat finish, with a minimum of 3-5 millimeter thickness. Finish is oven-baked at 400° F to promote maximum adherence and finish hardness.
- All finishes are available in standard and custom colors.
- Finish is guaranteed for five (5) years.

Electrical Assembly

- The VMX LED series is supplied with a choice of 350 or 530 mA high-performance LED drivers that accept 120v thru 480v, 50 Hz to 60 Hz, input.
- Power factor of 90%.
- Rated for -40°C operations.
- 10 kV surge protector supplied as standard.
- Terminal block supplied as standard.

Warranty

- Five (5) year Limited Warranty on entire system, including finish. For full warranty information, please visit visionairelighting.com.

Options

- Photocell & receptacle
- Photo receptacle
- Round pole plate adapter
- Cast Wall Plate
- 0-10v Dimming Driver
- Motion Sensor
- Wireless Control
- Universal Pole Mount Adaptor

Listings

- The VMX Series is cUL Listed
- IP65 Rated
- Powder Coated Tough™
- IDA Certification
- Turtle Safe
- Certified Wildlife Lighting



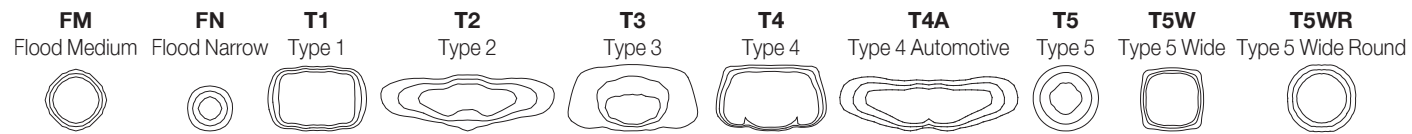
The Wildlife Lighting Program was developed by the Department of the Interior's U.S. Fish and Wildlife Service and the Florida Fish and Wildlife Conservation Commission to address light pollution issues in ecologically sensitive areas while ensuring human safety and security.



Motion Sensor Default Setting									
Type	High Mode	Low Mode	Time Delay	Cut off Delay	Sensitivity	Hold Off Setpoint	Photocell On/Off	Ramp Up Time	Fade Down Time
WSC - Default	10V	1V	5 Min	1 Hour	Max	Disabled	Disabled	Disabled	Disabled
WSC Range	0-10V	0-9.8V	5-30 Min	1-5 Hours	Low, Med, Max	1-250FC	1-250FC	1-60 Dec	1-60 Dec

VMX Wildlife Certified LED Specifications

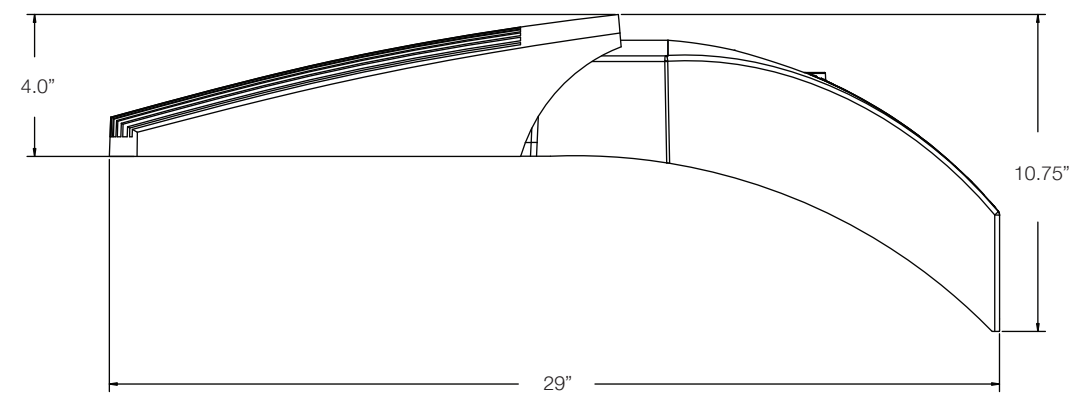
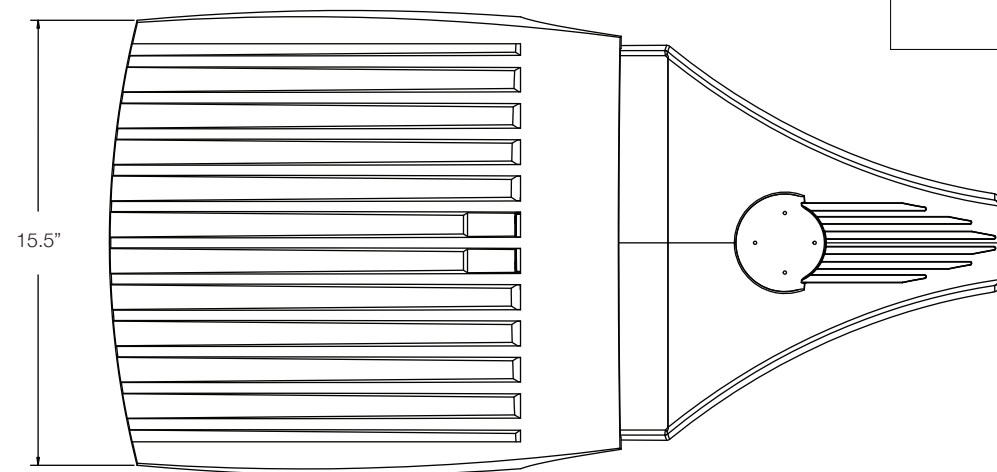
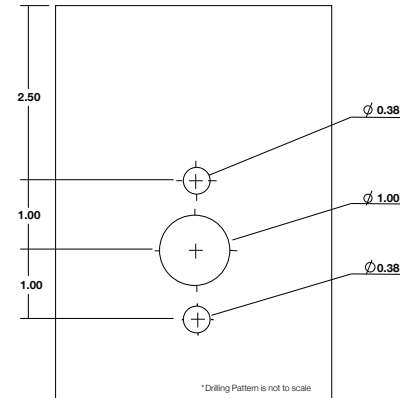
Photometric Optical Summary



EPA Data	T1	T2	T3	T4	T4A	T5	T5W	T5WR
	0.75	1.47	1.5	2.22	2.1	2.22		

Dimensions

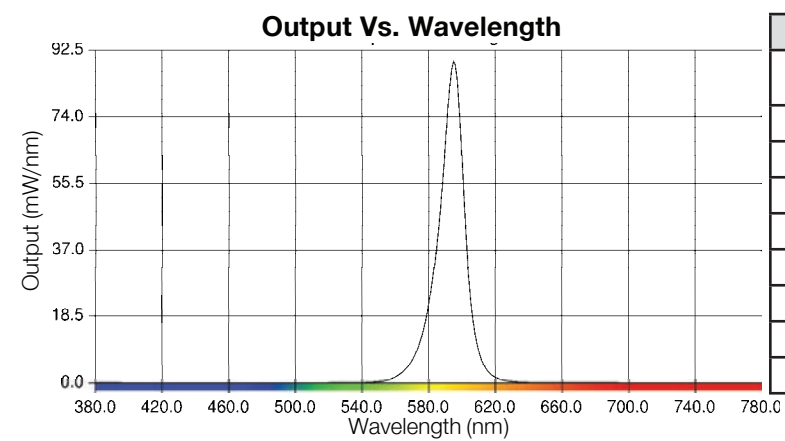
Width:	VMX-1 15.5"
Depth:	VMX-1 29"
Height:	VMX-1 4.0"
Overall Height:	VMX-1 10.75"
Weight:	49 LBS



VMX-1 Wildlife Certified TS (590 nm) LUMEN DATA												
# LEDs	Current (mA)	FM	FN	T1	T2	T3	T4	T4A	T5	T5W	T5WR	Watts
48	350	1704	1766	1679	1587	1664	1606	1682	1724	1684	1652	52
	530	2286	2369	2253	2129	2232	2155	2256	2313	2260	2216	78
64	350	2170	2249	2138	2021	2119	2046	2141	2196	2145	2103	70
	530	3208	3325	3161	2988	3132	3024	3166	3246	3171	3110	107
80	350	2684	2781	2644	2499	2620	2530	2648	2715	2652	2601	87
	530	3879	4020	3822	3612	3787	3656	3828	3924	3834	3760	132
96	350	3197	3313	3150	2977	3121	3014	3155	3234	3160	3099	104
	530	4550	4714	4483	4236	4441	4289	4489	4603	4497	4410	157

VMX-1 Wildlife Certified TS (590 nm) LPW DATA												
# LEDs	Current (mA)	FM	FN	T1	T2	T3	T4	T4A	T5	T5W	T5WR	Watts
48	350	33	34	32	31	32	31	32	33	32	32	52
	530	29	30	29	27	29	28	29	30	29	28	78
64	350	31	32	31	29	30	29	31	31	31	30	70
	530	30	31	30	28	29	28	30	30	30	29	107
80	350	31	32	30	29	30	29	30	31	30	30	87
	530	29	30	29	27	29	28	29	30	29	28	132
96	350	31	32	30	29	30	29	30	31	30	30	104
	530	29	30	29	27	28	27	29	29	29	28	157

VMX-1 Wildlife Certified TS (590 nm) BUG DATA																													
# LEDs	Current (mA)	FM			FN			T1			T2			T3			T4			T4A			T5			Watts			
		B	U	G	B	U	G	B	U	G	B	U	G	B	U	G	B	U	G	B	U	G	B	U	G				
48	350	2	0	2	2	0	0	1	0	1	1	0	1	1	0	1	1	0	1	1	0	1	1	0	1	1	0	1	52
	530	2	0	1	2	0	1	1	0	1	1	0	1	1	0	1	1	0	1	1	0	1	2	0	1	2	0	1	78
64	350	2	0	0	2	0	1	1	0	1	1	0	1	1	0	1	1	0	1	1	0	1	2	0	1	2	0	1	70
	530	3	0	1	3	0	1	2	0	2	1	0	1	1	0	1	1	0	1	1	0	1	2	0	1	2	0	1	107
80	350	3	0	1	3	0	1	1	0	1	1	0	1	1	0	1	1	0	1	1	0	1	2	0	1	2	0	1	87
	530	3	0	1	3	0	1	2	0	2	1	0	1	1	0	1	1	0	1	1	0	1	3	0	1	3	0	1	132
96	350	3	0	1	3	0	1	2	0	2	1	0	1	1	0	1	1	0	1	1	0	1	2	0	1	2	0	1	104
	530	3	0	1	3	0	1	2	0	2	1	0	1	1	0	1	1	0	1	2	0	1	3	0	1	3	0	1	157



VMX Wildlife Certified - ELECTRICAL LOAD (A)							
Ordering Nomenclature	System Watts	120	208	240	277	347	480
VMX-1-T5-48LC-3	52	0.43	0.25	0.22	0.19	0.15	0.11
VMX-1-T5-48LC-5	78	0.65	0.38	0.33	0.28	0.22	0.16
VMX-1-T5-64LC-3	70	0.58	0.34	0.29	0.25	0.20	0.15
VMX-1-T5-64LC-5	107	0.89	0.51	0.45	0.39	0.31	0.22
VMX-1-T5-80LC-3	87	0.73	0.42	0.36	0.31	0.25	0.18
VMX-1-T5-80LC-5	132	1.10	0.63	0.55	0.48	0.38	0.28
VMX-1-T5-96LC-3	104	0.87	0.50	0.43	0.38	0.30	0.22
VMX-1-T5-96LC-5	157	1.31	0.75	0.65	0.57	0.45	0.33

VSX Wildlife Certified LED Specifications



Project Name: _____

Catalog Number: _____

Type: _____

The **VSX LED** Series offers clean, functional styling that is defined by its sleek low profile design and rugged construction. It combines LED performance and advanced LED thermal management technology and provides outdoor lighting that is both energy efficient and aesthetically pleasing.

The LED's performance and the driver's life are maximized by enclosing them in two separate cast aluminum housings. Easy captive screw access for mounting and maintenance.

The LED light assemblies come with 16 to 48 LEDs. Eight optical distribution patterns are available. 590 nm diode supplied as standard.

A durable polyester powder coat finish is guaranteed for five years; and is available in standard or custom colors.

The **VSX LED** series is an exceptional choice for commercial parking lots, office complexes, architectural projects, and other general lighting projects.

Ordering Information

MODEL	OPTICS	LEDs	CURRENT	KELVIN	VOLTAGE	MOUNTING	FINISH	OPTIONS	OPTIONS
VSX-1	T1	16LC	3 350mA	TS 590 nm	UNV 120-277V	AM Arm Mount	BZ Bronze	PCR-120 Photocell & Receptacle	RPP3 For 3"Ø Pole - Round Pole Plate Adaptor
	T2	32LC						PCR-208 Photocell & Receptacle	RPP4 For 4"Ø Pole - Round Pole Plate Adaptor
	T3	48LC	5 530mA		8 347V		SBK Smooth Black	PCR-240 Photocell & Receptacle	RPP5 For 5"Ø Pole - Round Pole Plate Adaptor
	T4						WH White	PCR-277 Photocell & Receptacle	UPMA-S Universal Square Pole Mount Adaptor
	T4A				5 480V	WM Wall Mount Requires BAWP	SWH Smooth White	PCR-347 Photocell & Receptacle	UPMA-R Universal Round Pole Mount Adaptor
	T5						GP Graphite	PCR-480 Photocell & Receptacle	BAWP Cast Wall Plate
	T5W						GY Grey	PER 3 Pin Photo Receptacle w/shorting cap	ROT-R Rotated Optics Right Side
	T5WR						SL Silver Metallic	5PINPER 5 Pin Photo Receptacle w/shorting cap Requires Dimming Driver	ROT-L Rotated Optics Left Side
							CC Custom Color	7PINPER 7 Pin Photo Receptacle w/shorting cap Requires Dimming Driver	VWC Visionaire Wireless Controls Consult Factory
								DIM 0-10v Dimming Driver	LS Light Shield
							WSC-8 Motion Sensor 8' Mounting Height		
							WSC-20 Motion Sensor 9-20' Mounting Height		
							WSC-40 Motion Sensor 21-40' Mounting Height		

The WSC option will require (1) FSIR 100 remote for programming

Features & Specifications

Housing

Cast aluminum LED housing with integral cooling fins for thermal management.

Mounting Arm/Driver Compartment

Durable two-piece cast aluminum driver compartment utilizes a captive screw for ease of maintenance and sealed with a one-piece silicone gasket.

Thermal Management

- The VSX series provides excellent thermal management by mounting the LEDs to the substantial heat sink of the housing. This enables the Luminaire to withstand higher ambient temperatures and driver currents without degrading LED life.
- The L70 test determines the point in an LEDs life when it reaches 70 percent of its initial output.
- The VSX series LEDs have been determined to last 100,000+ hours in 25° C environments when driven at 350 mA.

Optical System

- The highest lumen output LEDs are utilized in the VSX series.
- IES distribution Types 1, 2, 3, 4, 4A, 5, 5W and 5WR are available.
- The optical system qualifies as IES full cutoff to restrict light trespass, glare and light pollution.
- 590 nm diode supplied as standard.

Quali-Guard® Finish

- The finish is a Quali-Guard® textured, chemically pretreated through a multiple-stage washer, electrostatically applied, thermoset polyester powder coat finish, with a minimum of 3-5 millimeter thickness. Finish is oven-baked at 400° F to promote maximum adherence and finish hardness.
- All finishes are available in standard and custom colors.
- Finish is guaranteed for five (5) years.

Electrical Assembly

- The VSX LED series is supplied with a choice of 350 or 530 mA high-performance LED drivers that accept 120v thru 480v, 50 Hz to 60 Hz, input.
- Power factor of 90%.
- Rated for -40° C operations.
- 10 kV surge protector supplied as standard.
- Terminal block supplied as standard.

Warranty

Five (5) year Limited Warranty on entire system, including finish. For full warranty information, please visit visionairelighting.com.

Options

- Photocell & receptacle
- Photo receptacle
- 0-10v Dimming Driver
- Motion Sensor
- Wireless Control
- Round pole plate adaptor
- Universal Pole Mount Adaptor
- Cast Wall Plate
- Rotated Optics

Listings

- The VSX Series is cUL Listed
- IP65 Rated
- Powder Coated Tough™
- IDA Certification
- Turtle Safe
- Certified Wildlife Lighting

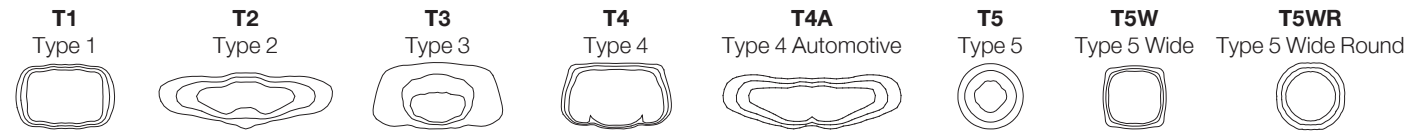


The Wildlife Lighting Program was developed by the Department of the Interior's U.S. Fish and Wildlife Service and the Florida Fish and Wildlife Conservation Commission to address light pollution issues in ecologically sensitive areas while ensuring human safety and security.



Motion Sensor Default Setting									
Type	High Mode	Low Mode	Time Delay	Cut off Delay	Sensitivity	Hold Off Setpoint	Photocell On/Off	Ramp Up Time	Fade Down Time
WSC - Default	10V	1V	5 Min	1 Hour	Max	Disabled	Disabled	Disabled	Disabled
WSC Range	0-10V	0-9.8V	5-30 Min	1-5 Hours	Low, Med, Max	1-250FC	1-250FC	1-60 Dec	1-60 Dec

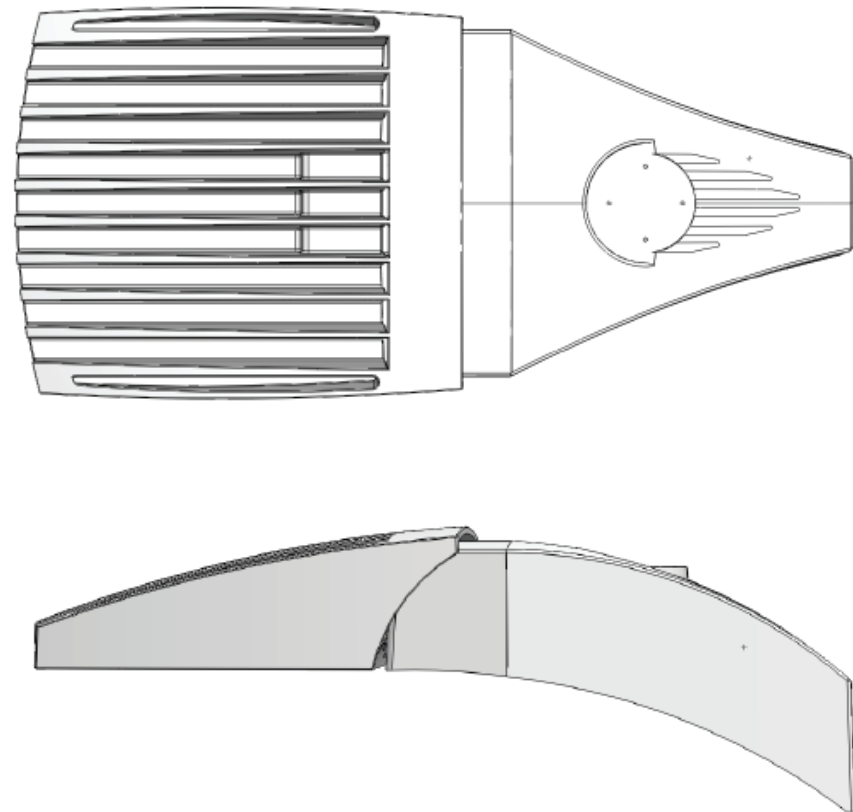
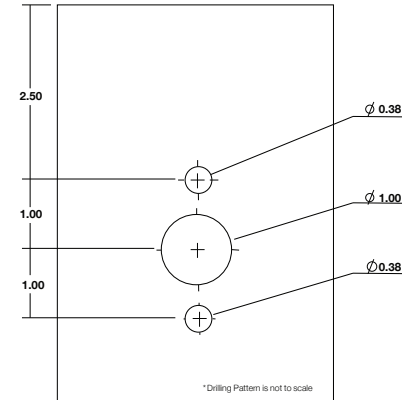
Photometric Optical Summary



VSX EPA Data	
Front	Side
.45	.58

Dimensions

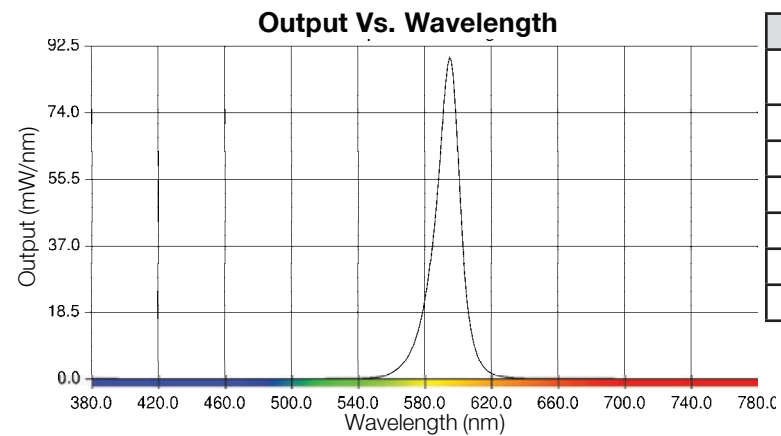
Width:	VSX-1 12.5"
Depth:	VSX-1 23"
Height:	VSX-1 4"
Overall Height:	VSX-1 8"
Weight:	25 LBS



VSX-1 Wildlife Certified TS (590 nm) LUMEN DATA										
# LEDs	Current (mA)	T1	T2	T3	T4	T4A	T5	T5W	T5WR	Wattage
16	350	600	552	557	545	602	587	555	544	18
	530	805	741	747	731	808	787	745	730	26
32	350	1209	1112	1121	1097	1213	1182	1117	1096	37
	530	1622	1492	1504	1472	1628	1585	1499	1470	52
48	350	1813	1668	1681	1646	1820	1773	1676	1644	55
	530	2433	2238	2256	2208	2442	2378	2249	2205	78

VSX-1 Wildlife Certified TS (590 nm) LPW DATA										
# LEDs	Current (mA)	T1	T2	T3	T4	T4A	T5	T5W	T5WR	Wattage
16	350	33	31	31	30	33	33	31	30	18
	530	31	28	29	28	31	30	29	28	26
32	350	33	30	30	30	33	32	30	30	37
	530	31	29	29	28	31	30	29	28	52
48	350	33	30	31	30	33	32	30	30	55
	530	31	29	29	28	31	30	29	28	78

VSX-1 Wildlife Certified TS (590 nm) BUG DATA																													
# LEDs	Current (mA)	T1			T2			T3			T4			T4A			T5			T5W			T5WR			Wattage			
		B	U	G	B	U	G	B	U	G	B	U	G	B	U	G	B	U	G	B	U	G							
16	350	0	0	0	0	0	1	0	0	0	0	0	0	0	0	0	0	0	0	0	0	1	0	0	1	0	0	0	18
	530	1	0	1	0	0	1	0	0	0	0	0	0	0	0	0	1	0	0	1	0	0	1	0	0	1	0	0	26
32	350	1	0	1	0	0	1	0	0	0	0	0	0	0	0	0	1	0	0	1	0	0	1	0	0	1	0	0	37
	530	1	0	1	1	0	1	1	0	1	1	0	1	1	0	1	1	0	0	1	0	0	1	0	0	1	0	0	52
48	350	1	0	1	1	0	1	1	0	1	1	0	1	1	0	1	1	0	0	1	0	0	1	0	1	1	0	1	55
	530	1	0	1	1	0	1	1	0	1	1	0	1	1	0	1	1	0	1	2	0	1	2	0	1	2	0	1	78



VSX Wildlife Certified - ELECTRICAL LOAD (A)							
Ordering Nomenclature	System Watts	120	208	240	277	347	480
VSX-1-T5-16LC-3	18	0.15	0.09	0.08	0.06	0.05	0.04
VSX-1-T5-16LC-5	26	0.22	0.13	0.11	0.09	0.07	0.05
VSX-1-T5-32LC-3	37	0.31	0.18	0.15	0.13	0.11	0.08
VSX-1-T5-32LC-5	52	0.43	0.25	0.22	0.19	0.15	0.11
VSX-1-T5-48LC-3	55	0.46	0.26	0.23	0.2	0.16	0.11
VSX-1-T5-48LC-5	78	0.65	0.38	0.33	0.28	0.22	0.16

VSC-II Wildlife Certified LED Specifications



Project Name:

Catalog Number:

Type:

The **VSC-II LED** wall mount Series continues the unique contemporary design that is inspired by the V-Collection light series. It combines LED performance and advanced LED thermal management technology and provides lighting that is energy efficient and aesthetically pleasing.

The LED performance and the driver's life are maximized by enclosing them in two separate cast aluminum housings. Easy access for mounting and maintenance.

The LED light assemblies come with 16, 32, or 48 LEDs.

Ten optical distribution pattern are available. 590 nm diode supplied as standard.

A durable polyester powder coat finish is guaranteed for five years; and is available in standard or custom colors.

The **VSC-II LED** Series is an exceptional choice for office complexes, schools, commercial buildings, and many architectural projects.

Ordering Information

MODEL	OPTICS	SOURCE	CURRENT	KELVIN	VOLTAGE	MOUNTING	FINISH	OPTIONS
VSC-II	FM	16LC	3 350mA	TS 590 nm	UNV 120-277V	WM Wall Mount	BZ Bronze	PC-120 Button Type Photocell
	FN	32LC	5 530mA		8 347V		VCB Conduit Box Mounting Plate with (2) 1/2" Threaded Conduit Holes	BK Black
	T1	48LC		5 480V	SBK Smooth Black	PC-240 Button Type Photocell		
	T2				WH White	PC-277 Button Type Photocell		
	T3				SWH Smooth White	WSC-8 Motion Sensor 8' Mounting Height		
	T4				GP Graphite	WSC-20 Motion Sensor 9-20' Mounting Height		
	T4A				GY Grey	WSC-40 Motion Sensor 21-40' Mounting Height		
	T5				SL Silver Metallic	The WSC option will require (1) FSIR 100 remote for programming		
	T5W				CC Custom Color	DIM 0-10v Dimming Driver		
	T5WR					EBPL Emergency Battery Pack Universal Voltage only Not available in Up-Light Orientation		
						BP Back Plate		
						LS Light Shield		

Features & Specifications

VSC-II Wildlife Certified

Heatsink

Cast aluminum heatsink with integral cooling fins for thermal management.

Mounting/Driver Compartment

• Durable two-piece cast aluminum driver compartment utilizes a quick mount/set screw mounting for ease of maintenance and sealed with a one-piece gasket.

Thermal Management

• The VSC-II series provides excellent thermal management by mounting the LEDs to the substantial heat sink of the housing. This enables the Luminaire to withstand higher ambient temperatures and driver currents without degrading LED life.

• The L70 test determines the point in an LEDs life when it reaches 70 percent of its initial output.

• The VSC-II series LEDs have been determined to last 100,000+ hours in 25° C environments when driven at 350 mA.

Optical System

• The highest lumen output LEDs are utilized in the VSC-II series.

• Ten IES distribution Types are available.

• The optical system qualifies as IES full cutoff to restrict light trespass, glare and light pollution.

• 590 nm diode supplied as standard.

Quali-Guard® Finish

• The finish is a Quali-Guard® textured, chemically pretreated through a multiple-stage washer, electrostatically applied, thermoset polyester powder coat finish, with a minimum of 3-5 millimeter thickness. Finish is oven-baked at 400° F to promote maximum adherence and finish hardness.

• All finishes are available in standard and custom colors.

• Finish is guaranteed for five (5) years.

Electrical Assembly

• The VSC-II LED series is supplied with a choice of 350 or 530 mA high-performance LED drivers that accept 120v thru 480v, 50 Hz to 60 Hz, input.

• Power factor of 90%.

• Rated for -50° C operations.

• THD less than or equal to 20%

• 10 kV surge protector supplied as standard.

Warranty

Five (5) year Limited Warranty on electrical components, Five (5) year on finish. For full warranty information, please visit visionairelighting.com

Options

- Button Type Photocell
- Motion Sensor
- 0-10 Volt Dimming Driver
- Back Plate

Listings

- The VSC-II is cUL listed, suitable for wet locations.
- IP65 Rated
- Powder Coated Tough™
- DLC Listed
- IDA Certification
- Turtle Safe
- Certified Wildlife Lighting



DesignLights Consortium (DLC) qualified Product. Some configurations of this product family may not be DesignLights Consortium (DLC) listed, please refer to the DLC qualified products list to confirm listed configurations. <http://www.designlights.org/>

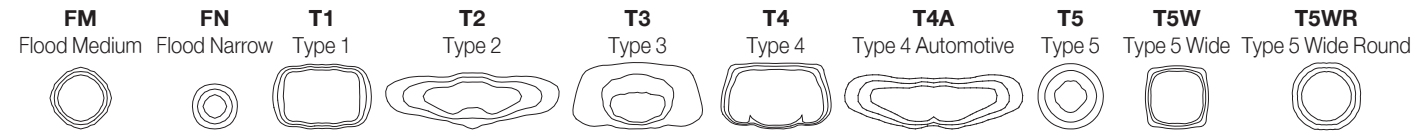
The Wildlife Lighting Program was developed by the Department of the Interior's U.S. Fish and Wildlife Service and the Florida Fish and Wildlife Conservation Commission to address light pollution issues in ecologically sensitive areas while ensuring human safety and security.



Motion Sensor Default Setting									
Type	High Mode	Low Mode	Time Delay	Cut off Delay	Sensitivity	Hold Off Setpoint	Photocell On/Off	Ramp Up Time	Fade Down Time
WSC - Default	10V	1V	5 Min	1 Hour	Max	Disabled	Disabled	Disabled	Disabled
WSC Range	0-10V	0-9.8V	5-30 Min	1-5 Hours	Low, Med, Max	1-250FC	1-250FC	1-60 Dec	1-60 Dec

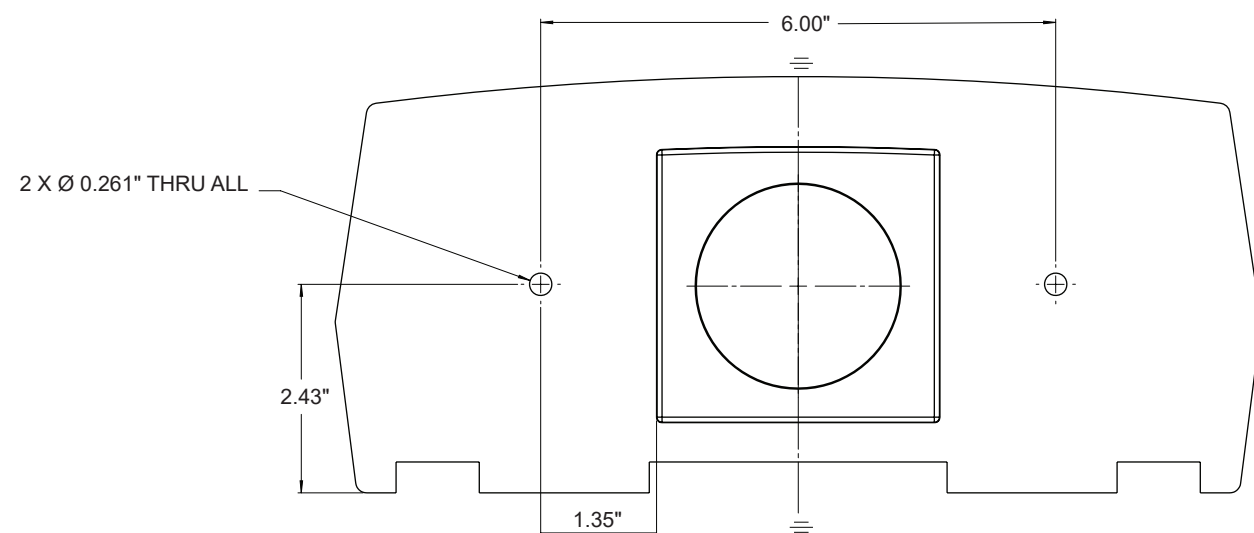
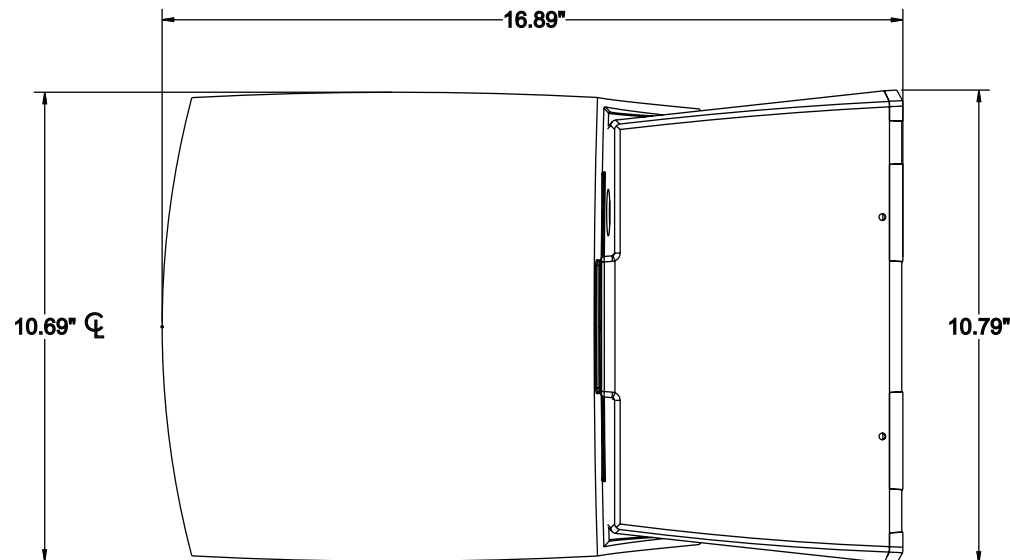
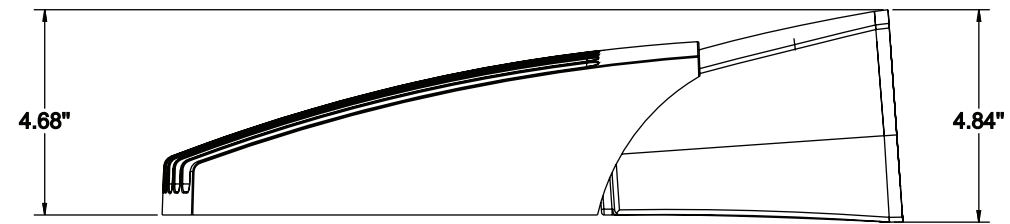
VSC-II Wildlife Certified LED Specifications

Photometric Optical Summary



Dimensions

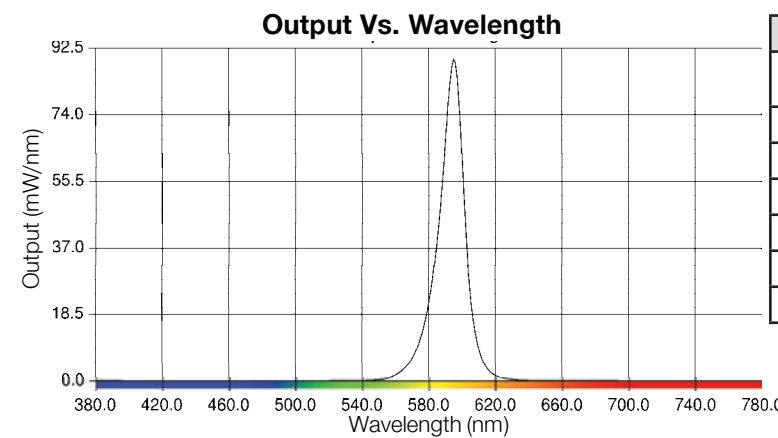
Width:	VSC-II 10.8"
Depth:	VSC-II 17"
Height:	VSC-II 5"
Weight:	20 LBS



VSC-II Wildlife Certified TS (590 nm) LUMEN DATA												
# LEDs	Current (mA)	FM	FN	T1	T2	T3	T4	T4A	T5	T5W	T5WR	Watts
16	350	570	561	554	510	514	503	556	542	512	503	18
	530	765	753	744	684	690	675	746	727	687	674	26
32	350	1130	1130	1116	1027	1035	1013	1120	1091	1032	1012	37
	530	1540	1516	1497	1378	1389	1359	1503	1464	1384	1358	52
48	350	1722	1695	1674	1540	1552	1519	1680	1637	1548	1518	55
	530	2310	2274	2246	2066	2083	2039	2254	2196	2076	2036	78

VSC-II Wildlife Certified TS (590 nm) LPW DATA												
# LEDs	Current (mA)	FM	FN	T1	T2	T3	T4	T4A	T5	T5W	T5WR	Watts
16	350	32	31	31	28	29	28	31	30	28	28	18
	530	29	29	29	26	27	26	29	28	26	26	26
32	350	31	31	30	28	28	27	30	29	28	27	37
	530	30	29	29	26	27	26	29	28	27	26	52
48	350	31	31	30	28	28	28	31	30	28	28	55
	530	30	29	29	26	27	26	29	28	27	26	78

VSC-II Wildlife Certified TS (590 nm) BUG DATA																																			
# LEDs	Current (mA)	FM			FN			T1			T2			T3			T4			T4A			T5			T5W			T5WR			Watts			
		B	U	G	B	U	G	B	U	G	B	U	G	B	U	G	B	U	G	B	U	G	B	U	G	B	U	G							
16	350	1	0	0	1	0	0	0	0	0	0	0	1	0	0	0	0	0	0	0	0	0	0	0	0	0	0	0	1	0	0	1	0	0	18
	530	1	0	0	1	0	0	1	0	1	0	0	1	0	0	0	0	0	0	0	0	0	0	0	0	1	0	0	1	0	0	26			
32	350	1	0	0	1	0	0	1	0	1	0	0	1	0	0	0	0	0	0	0	0	0	1	0	0	1	0	0	1	0	0	37			
	530	2	0	0	2	0	0	1	0	1	1	0	1	1	0	1	0	0	1	0	0	0	1	0	0	1	0	0	1	0	0	52			
48	350	2	0	0	2	0	0	1	0	1	1	0	1	1	0	1	1	0	1	0	0	0	1	0	0	1	0	0	1	0	1	55			
	530	2	0	0	2	0	0	1	0	1	1	0	1	1	0	1	1	0	1	1	0	1	2	0	1	1	0	1	78						



VSC-II Wildlife Certified - ELECTRICAL LOAD (A)							
Ordering Nomenclature	System Watts	120	208	240	277	347	480
VSC-II-T3-16LC-3-TS	18	0.15	0.09	0.08	0.06	0.05	0.04
VSC-II-T3-16LC-5-TS	26	0.22	0.13	0.11	0.09	0.07	0.05
VSC-II-T3-32LC-3-TS	37	0.31	0.18	0.15	0.13	0.11	0.08
VSC-II-T3-32LC-5-TS	52	0.43	0.25	0.22	0.19	0.15	0.11
VSC-II-T3-48LC-3-TS	55	0.46	0.26	0.23	0.20	0.16	0.11
VSC-II-T3-48LC-5-TS	78	0.65	0.38	0.33	0.28	0.22	0.16



BLX-II

BOW

BSX-II



BOW Collection

BLX-II Wildlife Certified LED Specifications

BLX-II-4 Post Top Mount Shown



Project Name: _____

Catalog Number: _____

Type: _____

The new **BOW LX-II LED** Series continues the unique contemporary design inspired by the sleek styling of the BOW family. Separating the extruded aluminum driver housing and the individual die-cast aluminum linear LED engines: optimize the life of the LEDs and the Driver(s); and maximizes the lumen output of the fixture. The adjustable knuckle allows for up to 90° degrees of vertical adjustment for putting the light exactly where you need it.

Each of the individual LED light engines come with 32 LEDs; for a max total of 256 LEDs. Ten optical distribution patterns are available.

A unique Type 4-A automotive distribution pattern is available for the front rows of Auto Dealerships. 590 nm diode supplied as standard.

A durable polyester powder coat finish is guaranteed for five years; and is available in standard or custom colors.

The **BOW LX-II LED** series is an exceptional choice for auto dealerships, shopping centers, commercial parking lots and general area lighting.

Ordering Information

MODEL	OPTICS	LEDS	CURRENT	KELVIN	VOLTAGE	MOUNTING	FINISH	OPTIONS	OPTIONS
BLX-II-3	FM	96LC	3 350mA	TS 590 nm	UNV 120-277V	MA Mast Arm Fitter	GY Grey	PCR-120 Photocell & Receptacle	RPP Round Pole Plate Adaptor For 3"Ø - 5"Ø Pole
BLX-II-4	FN	128LC	5 530mA		8 347V	BOA Bolt-On Arm	SL Silver Metallic	PCR-208 Photocell & Receptacle	UPMA-S Universal Square Pole Mount Adaptor Not available with BLX-II-8
BLX-II-6	T1	192LC			5 480V	AM Arm Mount <small>Extended arm is needed for the BLX-6 & BLX-8 in D9, T9, T120 & QD configurations</small>	BK Black	PCR-240 Photocell & Receptacle	UPMA-R Universal Round Pole Mount Adaptor Not available with BLX-II-8
BLX-II-8	T2	256LC				WM Wall Mount <small>BLX-II-3 & BLX-II-4 Only</small>	SBK Smooth Black	PCR-277 Photocell & Receptacle	DS Decorative Shroud
	T3					BAWP Bolt-On Arm Wall Plate <small>BLX-3 & BLX-4 only</small>	WH White	PCR-480 Photocell & Receptacle	ROT-R Rotated Optics Right Side
	T4					BAWP-XL Bolt-On Arm Wall Plate-XL <small>BLX-6 & BLX-8 only</small>	SWH Smooth White	PER 3 Pin Photo Receptacle w/shorting cap	ROT-L Rotated Optics Left Side
	T4A							5PINPER 5 Pin Photo Receptacle w/shorting cap <small>Requires Dimming Driver</small>	LS Light Shield
	T5							7PINPER 7 Pin Photo Receptacle w/shorting cap <small>Requires Dimming Driver</small>	
	T5W							DIM 0-10v Dimming Driver <small>No Controls</small>	
	T5WR							WSC-8 Motion Sensor 8' Mounting Height	
								WSC-20 Motion Sensor 9-20' Mounting Height	
								WSC-40 Motion Sensor 21-40' Mounting Height	
								<small>The WSC option will require (1) PSIR 100 remote for programming</small>	
								VWC Visionaire Wireless Controls <small>Consult Factory</small>	

Features & Specifications

BLX-II Wildlife Certified

Housing

The LED light engines are constructed of heavy-duty, die-cast aluminum, with external heat radiating fins.

Driver Compartment

The separate driver housing is constructed of extruded aluminum, with vented cast aluminum end covers and stainless steel fasteners; for easy access to the LED driver(s); allowing for cooler operation and longer driver life. One-piece gasketing is utilized throughout the fixture for weather tight operation.

Thermal Management

The BOW LX-II Series provides excellent overall thermal management by maximizing the fixture's heat sink capabilities. This enables the BOW LX-II Series to withstand higher ambient temperatures and drive currents without degrading LED life.

The L70 test determines the point in an LEDs life when it reaches 70 percent of its initial output. The BOW LX-II Series LEDs have been determined to last a minimum of 100,000 hours in 25°C environments when driven at 350 mA.

Optical System

The highest lumen output, LEDs are utilized in the BOW LX-II Series. IES distribution Types FM, FN, 1, 2, 3, 4, 4A, 5, 5W and 5WR are available. LED light engines come in multiples of 32 LEDs. 590 nm diode supplied as standard.

Quali-Guard® Finish

The finish is a Quali-Guard® textured, chemically pretreated through a multiple-stage washer, electrostatically applied, thermoset polyester powder coat finish, with a minimum of 3-5 millimeter thickness. Finish is oven-baked at 400° F to promote maximum adherence and finish hardness.

All finishes are available in standard and custom colors.

Finish is guaranteed for five (5) years.

Mounting

The Bolt-On Arm (BOA) utilizes a 2 piece cleat system for easy installation. A Round Pole Plate Adaptor (RPP) is required for mounting to round poles.

Mast Arm Fitter fits over a 2 3/8" tenon.

Bolt-On Arm Wall Plate

Bolt-On Arm Wall Plate-XL

Electrical Assembly

The BOW LX-II Series is supplied with a choice of 350 or 530 mA high-performance LED drivers, that accept 120v thru 480v, 50 Hz to 60 Hz, input.

Power factor of 90%.

Rated for -40 °C to +55 °C operations.

THD less than or equal to 20%

20 kV surge protector supplied as standard.

0-10v Dimming Driver supplied as standard.

Warranty

Five (5) year Limited Warranty on entire system, including finish. For full warranty information, please visit VisionaireLighting.com.

Options

Button Type Photocell

Photocell & Receptacle

Photo Receptacle

Round pole plate adaptor

Motion Sensor

Pole Mounted Motion Sensor

Universal Pole Mount Adaptor (BLX-II-3, BLX-II-4 & BLX-II-6 Only)

Decorative Shroud

Listings

BOW LX-II Series is cUL listed, suitable for wet locations

LM79 and LM80

RoHS compliant

Meets ANSI C136.31-2010 3G Vibration Standards for:

Mast Arm Mount

BOA

Powder Coated Tough™

IP65 Rated

IDA Certification

Turtle Safe

Certified Wildlife Lighting



The Wildlife Lighting Program was developed by the Department of the Interior's U.S. Fish and Wildlife Service and the Florida Fish and Wildlife Conservation Commission to address light pollution issues in ecologically sensitive areas while ensuring human safety and security.

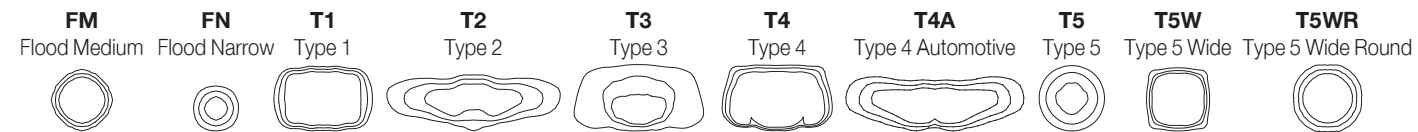


Motion Sensor Default Setting									
Type	High Mode	Low Mode	Time Delay	Cut off Delay	Sensitivity	Hold Off Setpoint	Photocell On/Off	Ramp Up Time	Fade Down Time
WSC - Default	10V	1V	5 Min	1 Hour	Max	Disabled	Disabled	Disabled	Disabled
WSC Range	0-10V	0-9.8V	5-30 Min	1-5 Hours	Low, Med, Max	1-250FC	1-250FC	1-60 Dec	1-60 Dec

BLX-II Wildlife Certified LED Specifications

Photometric Optical Summary

Not all optics are available on all fixtures. Check ordering chart for availability

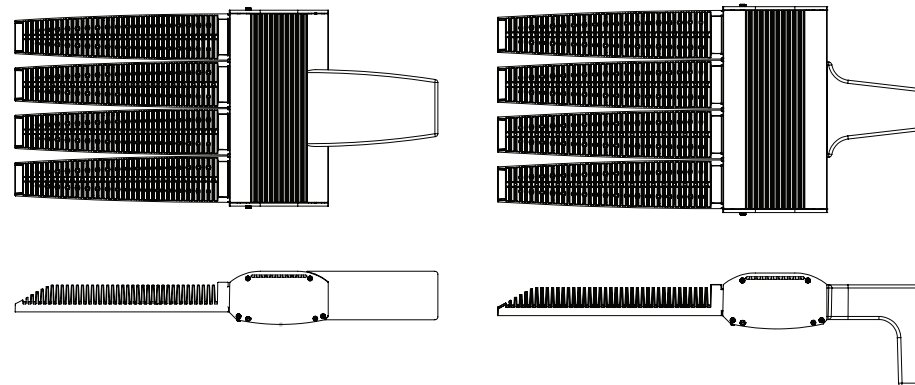


Dimensions

Mast Arm		Bolt-On Arm	
Width:	BLX-II-3 15" BLX-II-4 17" BLX-II-6 28" BLX-II-8 33"	Width:	BLX-II-3 15" BLX-II-4 17" BLX-II-6 28" BLX-II-8 33"
Depth:	BLX-II-3 36" BLX-II-4 36" BLX-II-6 36" BLX-II-8 36"	Depth:	BLX-II-3 34" BLX-II-4 34" BLX-II-6 34" BLX-II-8 34"
Height:	BLX-II-3 5" BLX-II-4 5" BLX-II-6 5" BLX-II-8 5"	Height:	BLX-II-3 5"/9" BLX-II-4 5"/9" BLX-II-6 5"/9" BLX-II-8 5"/9"

Mast Arm

Bolt-On Arm

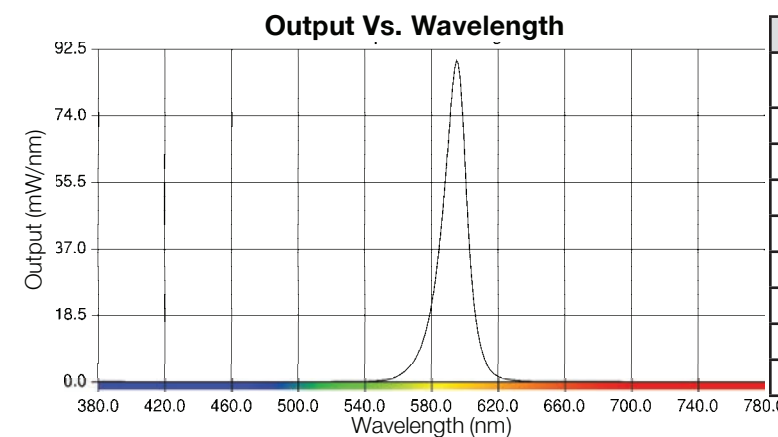


BLX-II EPA Data				
Tilt Deg.	BLX-II-3	BLX-II-4	BLX-II-6	BLX-II-8
0	0.7	0.7	0.8	1.1
10	0.71	0.9	1.2	1.6
20	1.02	1.3	1.8	2.0
30	1.32	1.7	2.4	3.1
40	1.62	2.1	3.0	3.9
50	1.86	2.4	3.4	4.5
60	2.07	2.6	3.8	5
70	2.21	2.8	4.1	5.4
80	2.29	2.9	4.3	5.7
90	2.30	3.0	4.5	6.1
Weight				
BLX-II	45 LBS	54 LBS	68 LBS	96 LBS

BLX-II Wildlife Certified TS (590 nm) LUMEN DATA												
# LEDs	Current (mA)	FM	FN	T1	T2	T3	T4	T4A	T5	T5W	T5WR	Watts
96	350	3576	3537	3476	3140	3231	3151	3569	3383	3248	3299	102
	530	5050	4995	4909	4434	4563	4450	5040	4778	4586	4659	157
128	350	4737	4685	4605	4159	4280	4174	4727	4482	4302	4370	143
	530	6793	6719	6604	5965	6138	5986	6779	6427	6170	6268	211
192	350	7330	7251	7126	6437	6623	6460	7316	6936	6658	6764	210
	530	10535	10421	10241	9251	9519	9283	10514	9968	9568	9721	321
256	350	9925	9817	9648	8715	8968	8746	9905	9390	9014	9158	278
	530	14277	14122	13879	12537	12900	12581	14248	13508	12967	13174	430

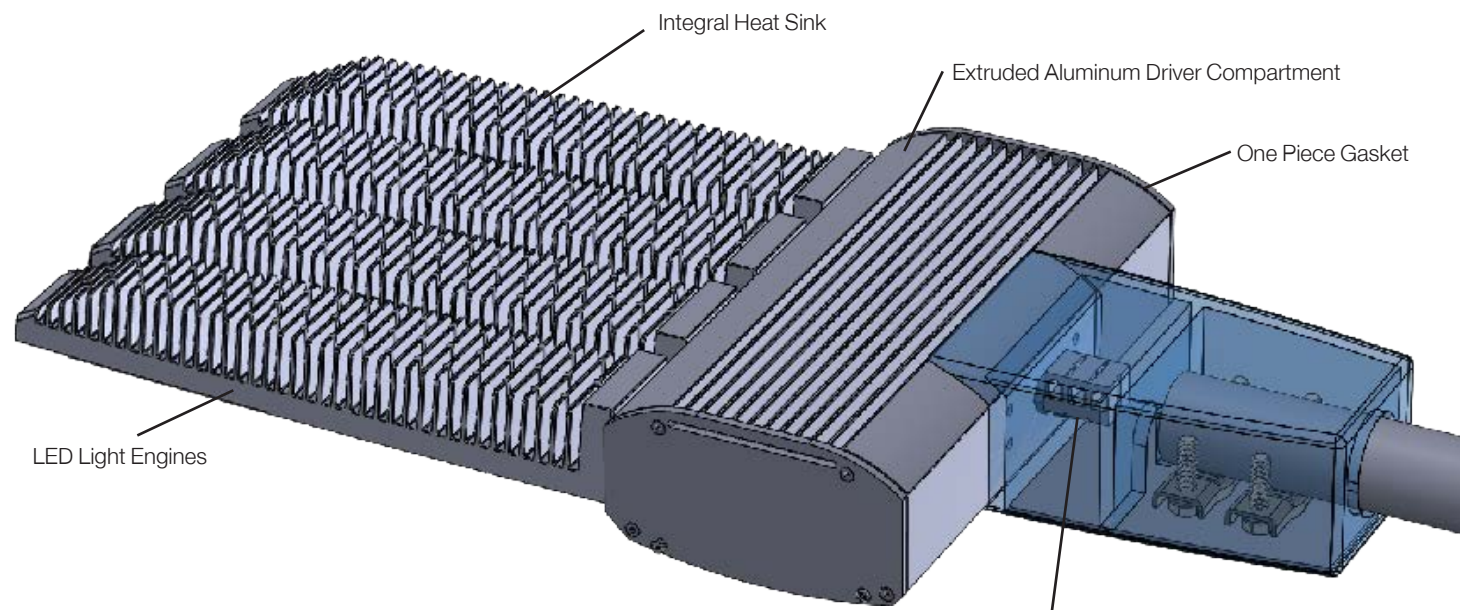
BLX-II Wildlife Certified TS (590 nm) LPW DATA												
# LEDs	Current (mA)	FM	FN	T1	T2	T3	T4	T4A	T5	T5W	T5WR	Watts
96	350	35	35	34	31	32	31	35	33	32	32	102
	530	32	32	31	28	29	28	32	30	29	30	157
128	350	33	33	32	29	30	29	33	31	30	31	143
	530	32	32	31	28	29	28	32	30	29	30	211
192	350	35	35	34	31	32	31	35	33	32	32	210
	530	33	32	32	29	30	29	33	31	30	30	321
256	350	36	35	35	31	32	31	36	34	32	33	278
	530	33	33	32	29	30	29	33	31	30	31	430

BLX-II Wildlife Certified TS (590 nm) BUG DATA																																
# LEDs	Current (mA)	FM			FN			T1			T2			T3			T4			T4A			T5			T5W			T5WR			Watts
		B	U	G	B	U	G	B	U	G	B	U	G	B	U	G	B	U	G	B	U	G	B	U	G	B	U	G	B	U	G	
96	350	3	0	0	3	0	0	2	0	1	1	0	1	1	0	1	1	0	1	1	0	1	2	0	1	2	0	1	2	0	1	102
	530	3	0	1	3	0	1	2	0	2	1	0	1	1	0	1	1	0	1	1	0	1	2	0	1	3	0	1	3	0	1	157
128	350	3	0	1	3	0	1	2	0	2	1	0	1	1	0	1	1	0	1	1	0	1	2	0	1	3	0	1	2	0	1	143
	530	3	0	1	4	0	1	2	0	2	1	0	1	2	0	2	1	0	1	1	0	1	2	0	1	3	0	1	3	0	1	211
192	350	4	0	1	4	0	1	2	0	2	2	0	2	2	0	2	2	0	2	2	0	2	2	0	1	3	0	1	3	0	1	210
	530	4	0	1	4	0	1	3	0	3	2	0	2	2	0	2	2	0	2	2	0	2	2	0	2	3	0	1	3	0	2	321
256	350	4	0	1	4	0	1	3	0	3	2	0	2	2	0	2	2	0	2	2	0	2	2	0	2	3	0	1	3	0	2	278
	530	5	0	1	5	0	1	3	0	3	3	0	3	3	0	3	3	0	3	2	0	2	3	0	2	4	0	2	4	0	2	430



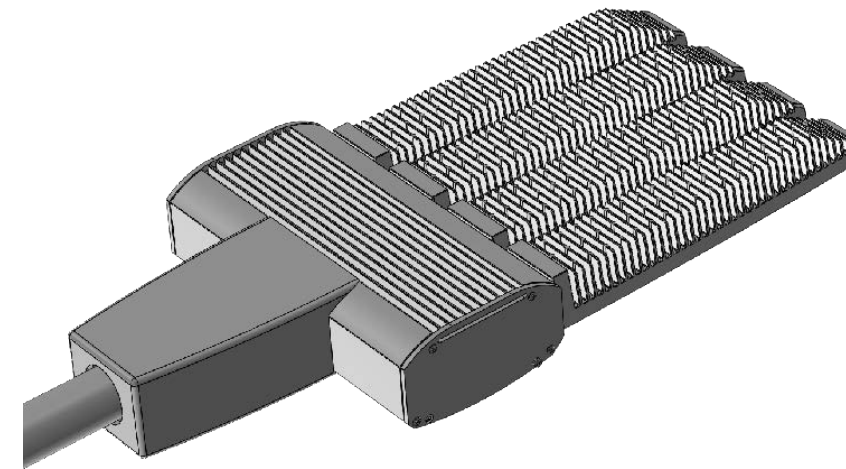
BLX-II Wildlife Certified - ELECTRICAL LOAD (A)							
Ordering Nomenclature	System Watts	120	208	240	277	347	480
BLX-II-3-T5W-96LC-3	102	0.85	0.49	0.43	0.37	0.29	0.21
BLX-II-3-T5W-96LC-5	157	1.31	0.75	0.65	0.57	0.45	0.33
BLX-II-4-T5W-128LC-3	143	1.19	0.69	0.60	0.52	0.41	0.30
BLX-II-4-T5W-128LC-5	211	1.76	1.01	0.88	0.76	0.61	0.44
BLX-II-6-T5W-192LC-3	210	1.75	1.01	0.88	0.76	0.61	0.44
BLX-II-6-T5W-192LC-5	321	2.68	1.54	1.34	1.16	0.93	0.67
BLX-III-8-T5W-256LC-3	278	2.32	1.34	1.16	1.00	0.80	0.58
BLX-III-8-T5W-256LC-5	430	3.58	2.07	1.79	1.55	1.24	0.90

BLX-II Features

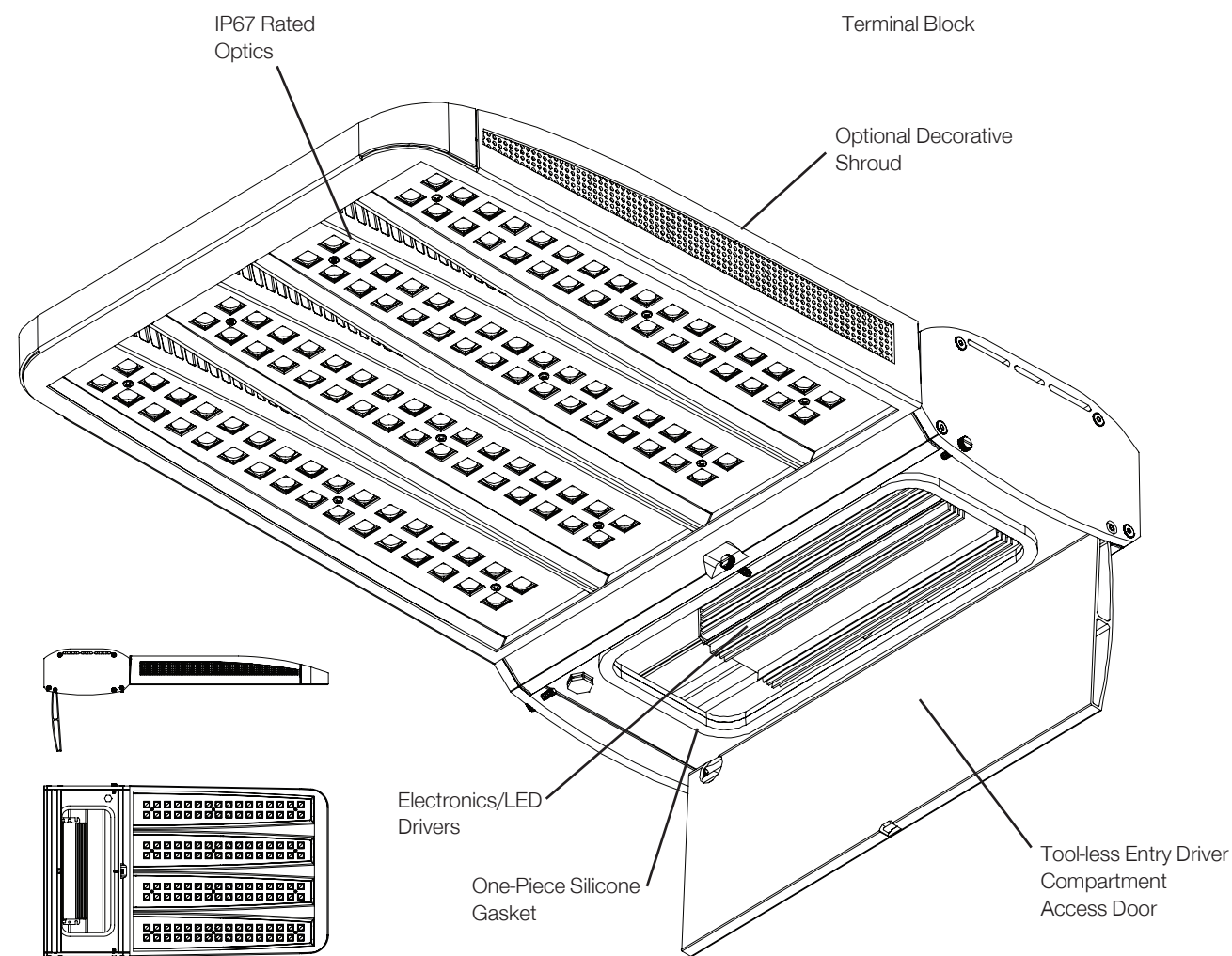


BLX-II Mounting Options

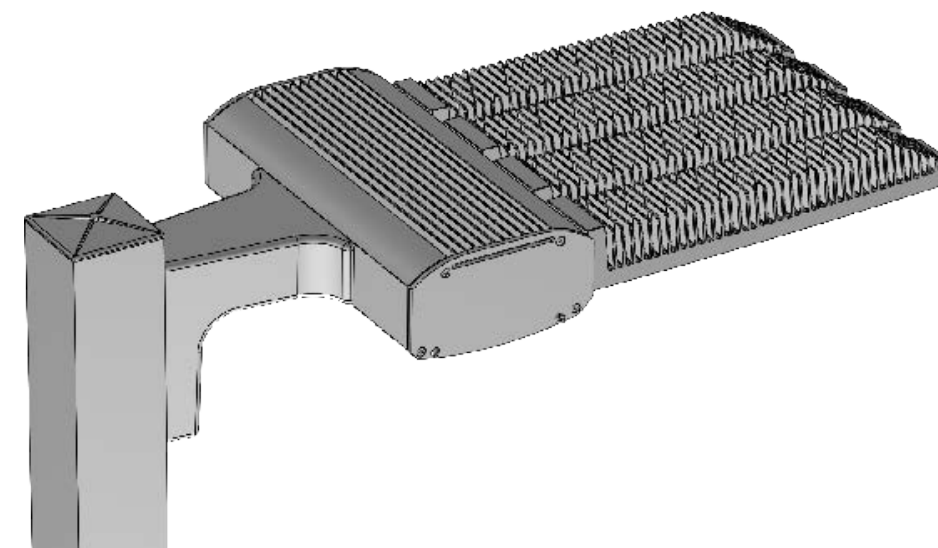
Mast Arm Mount



Mast Arm Fitter fits over a 2" - 2-3/8" tenon.

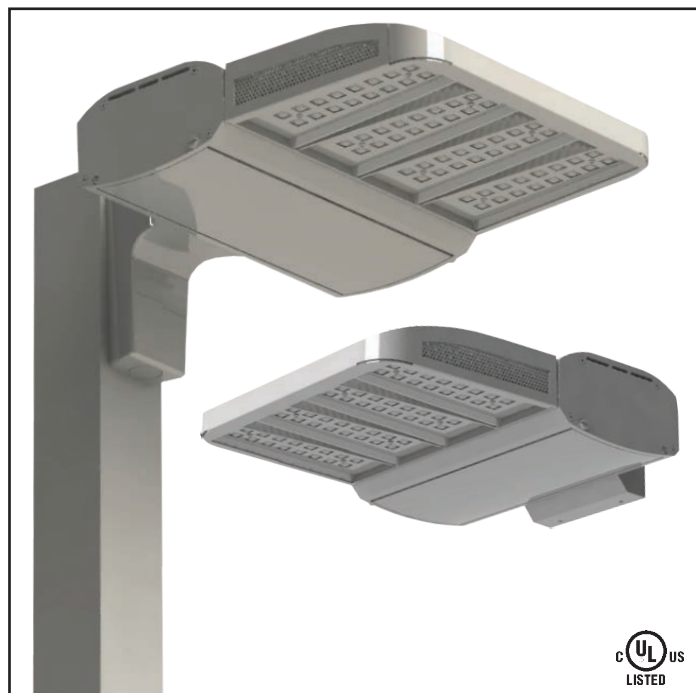


Arm Mount



The Bolt-On Arm (BOA) utilizes a 2 piece cleat system for easy installation. A Round Pole Plate Adaptor (RPP) is required for mounting to round poles.

BSX-II Wildlife Certified LED Specifications



Project Name: _____

Catalog Number: _____

Type: _____

The new **BOW SX LED** Series continues the unique contemporary design inspired by the sleek styling of the BOW family. Separating the extruded aluminum driver housing and the individual die-cast aluminum linear LED engines: optimize the life of the LEDs and the Driver(s); and maximizes the lumen output of the fixture.

Each of the individual LED light engines come with 16 LEDs; for a max total of 64 LEDs. Nine optical distribution patterns are available. 590 nm diode supplied as standard.

A durable polyester powder coat finish is guaranteed for five years; and is available in standard or custom colors.

The **BOW SX LED** series is an exceptional choice for shopping centers, schools, office buildings, and general area lighting.

Ordering Information

MODEL	OPTICS	SOURCE	CURRENT	KELVIN	VOLTAGE	MOUNTING	FINISH	OPTIONS	OPTIONS
BSX-II-2	FM	32LC	3 350mA	TS 590 nm	UNV 120-277V	MA Mast Arm Fitter	GY Grey	PCR-120 Photocell & Receptacle	VWC Visionaire Wireless Controls Consult Factory
BSX-II-3	FN	48LC	5 530mA		8 347V	BOA Bolt-On Arm	SL Silver Metallic	PCR-208 Photocell & Receptacle	RPP Round Pole Plate Adapter For 3" - 5" Pole
BSX-II-4	T1	64LC			5 480V	WM Wall Mount	BK Black	PCR-240 Photocell & Receptacle	UPMA-S Universal Square Pole Mount Adaptor
	T2						SBK Smooth Black	PCR-277 Photocell & Receptacle	UPMA-R Universal Round Pole Mount Adaptor
	T3						WH White	PCR-480 Photocell & Receptacle	DS Decorative Shroud
	T4						SWH Smooth White	PER 3 Pin Photo Receptacle w/shorting cap	ROT-R Rotated Optics Right Side
	T5						BZ Bronze	5PINPER 5 Pin Photo Receptacle w/shorting cap Requires Dimming Driver	ROT-L Rotated Optics Left Side
	T5W						GP Graphite	7PINPER 7 Pin Photo Receptacle w/shorting cap Requires Dimming Driver	LS Light Shield
	T5WR						CC Custom Color	DIM 0-10v Dimming Driver No Controls	
								WSC-8 Motion Sensor 8' Mounting Height	
								WSC-20 Motion Sensor 9-20' Mounting Height	
								WSC-40 Motion Sensor 21-40' Mounting Height	
								The WSC option will require (1) FSIR 100 remote for programming	

Features & Specifications

BSX-II Wildlife Certified

Housing

The LED light engines are constructed of heavy-duty, die-cast aluminum, with external heat radiating fins.

Driver Compartment

The separate driver housing is constructed of extruded aluminum, with vented cast aluminum end covers and stainless steel fasteners; for easy access to the LED driver(s); allowing for cooler operation and longer driver life. One-piece gasketing is utilized throughout the fixture for weather tight operation.

Thermal Management

The BOW SX Series provides excellent overall thermal management by maximizing the fixture's heat sink capabilities. This enables the BOW SX Series to withstand higher ambient temperatures and drive currents without degrading LED life.

The L70 test determines the point in an LEDs life when it reaches 70 percent of its initial output. The BOW SX Series LEDs have been determined to last a minimum of 100,000 hours in 25°C environments when driven at 350 mA.

Optical System

The highest lumen output, LEDs are utilized in the BOW SX Series. IES distribution Types FM, FN, 1, 2, 3, 4, 5, 5W and 5WR are available. LED light engines come in multiples of 16 LEDs. 590 nm diode supplied as standard.

Quali-Guard® Finish

The finish is a Quali-Guard® textured, chemically pretreated through a multiple-stage washer, electrostatically applied, thermoset polyester powder coat finish, with a minimum of 3-5 millimeter thickness. Finish is oven-baked at 400° F to promote maximum adherence and finish hardness.

All finishes are available in standard and custom colors. Finish is guaranteed for five (5) years.

Mounting

A round extruded 6" aluminum, Bolt-On Arm (BOA) with an in-pole nut plate. A Round Pole Plate Adapter (RPP) is required for mounting to round poles.

A cast wall mount plate is available for wall mount applications.

Electrical Assembly

- The BOW SX Series is supplied with a choice of 350 or 530 mA high-performance LED drivers, that accept 120v thru 480v, 50 Hz to 60 Hz, input.
- Power factor of 90%.
- Rated for -40° C to +55° C operations.
- THD less than or equal to 20%
- 20 kV surge protector supplied as standard.
- 0-10v Dimming Driver supplied as standard.

Warranty

Five (5) year Limited Warranty on entire system, including finish. For full warranty information, please visit VisionaireLighting.com.

Options

- Photocell & Receptacle
- Photo Receptacle
- Round Pole Plate Adapter
- Motion Sensor
- Universal Pole Mount Adapter
- Decorative Shroud
- Dimming Driver
- Wireless Controls
- Rotated Optics

Listings

- BOW SX Series is UL Listed, suitable for wet locations.
- IP65 Rated
- Powder Coated Tough™
- IDA Certification
- Turtle Safe
- Certified Wildlife Lighting



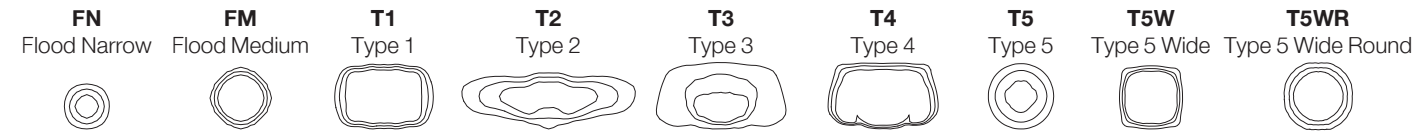
The Wildlife Lighting Program was developed by the Department of the Interior's U.S. Fish and Wildlife Service and the Florida Fish and Wildlife Conservation Commission to address light pollution issues in ecologically sensitive areas while ensuring human safety and security.



Motion Sensor Default Setting									
Type	High Mode	Low Mode	Time Delay	Cut off Delay	Sensitivity	Hold Off Setpoint	Photocell On/Off	Ramp Up Time	Fade Down Time
WSC - Default	10V	1V	5 Min	1 Hour	Max	Disabled	Disabled	Disabled	Disabled
WSC Range	0-10V	0-9.8V	5-30 Min	1-5 Hours	Low, Med, Max	1-250FC	1-250FC	1-60 Dec	1-60 Dec

BSX-II Wildlife Certified LED Specifications

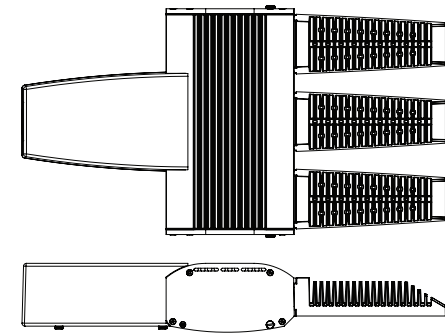
Photometric Optical Summary



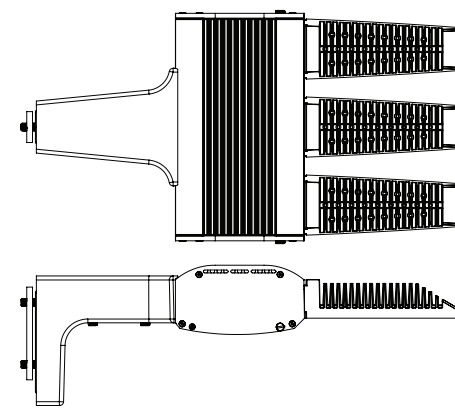
Dimensions

Mast Arm		Bolt-On Arm	
Width: BSX-II-2 15"	BSX-II-3 15"	Width: BSX-II-2 15"	BSX-II-3 15"
BSX-II-4 17"		BSX-II-4 17"	
Depth: BSX-II-2 28"	BSX-II-3 28"	Depth: BSX-II-2 27"	BSX-II-3 27"
BSX-II-4 28"		BSX-II-4 27"	
Height: BSX-II-2 5"	BSX-II-3 5"	Height: BSX-II-2 9"	BSX-II-3 9"
BSX-II-4 5"		BSX-II-4 9"	

Mast Arm



Bolt-On Arm



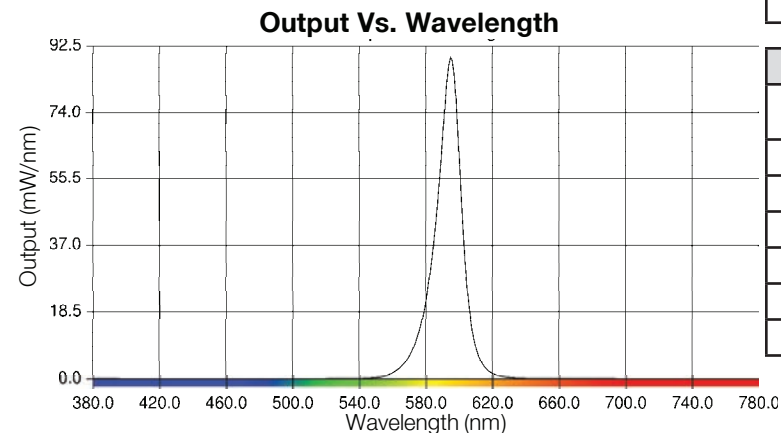
BSX-II Wildlife Certified TS (590 nm) LUMEN DATA											
# LEDs	Current (mA)	FM	FN	T1	T2	T3	T4	T5	T5W	T5WR	Watts
32	350	1316	1284	1214	1112	1114	1118	1128	1068	1079	36
	530	1852	1807	1708	1565	1568	1573	1588	1503	1518	53
48	350	1909	1864	1761	1614	1617	1622	1637	1550	1565	54
	530	2749	2684	2537	2324	2328	2336	2358	2232	2254	81
64	350	2665	2601	2459	2252	2256	2264	2286	2163	2185	73
	530	3849	3757	3552	3253	3260	3271	3302	3124	3156	107

BSX-II Wildlife Certified TS (590 nm) LPW DATA											
# LEDs	Current (mA)	FM	FN	T1	T2	T3	T4	T5	T5W	T5WR	Watts
32	350	37	36	34	31	31	31	31	30	30	36
	530	35	34	32	30	30	30	30	28	29	53
48	350	35	35	33	30	30	30	30	29	29	54
	530	34	33	31	29	29	29	29	28	28	81
64	350	37	36	34	31	31	31	31	30	30	73
	530	36	35	33	30	30	31	31	29	29	107

BSX-II Wildlife Certified TS (590 nm) BUG DATA																															
# LEDs	Current (mA)	FM			FN			T1			T2			T3			T4			T5			T5W			T5WR			Watts		
		B	U	G	B	U	G	B	U	G	B	U	G	B	U	G	B	U	G	B	U	G	B	U	G						
32	350	1	0	0	1	0	0	1	0	1	0	0	0	0	0	0	0	0	0	0	1	0	0	1	0	0	1	0	0	0	36
	530	2	0	0	2	0	0	1	0	1	0	0	0	1	0	1	1	0	1	1	0	0	1	0	0	1	0	0	1	0	53
48	350	2	0	0	2	0	0	1	0	1	0	0	0	1	0	1	1	0	1	1	0	0	1	0	0	1	0	0	1	0	54
	530	3	0	0	3	0	0	1	0	1	0	0	0	1	0	1	1	0	1	1	0	0	2	0	1	2	0	1	2	0	81
64	350	3	0	0	3	0	0	1	0	1	0	0	0	1	0	1	1	0	1	1	0	0	2	0	0	2	0	1	2	0	73
	530	3	0	0	3	0	0	2	0	2	0	0	1	1	0	1	1	0	1	2	0	1	2	0	1	2	0	1	2	0	107

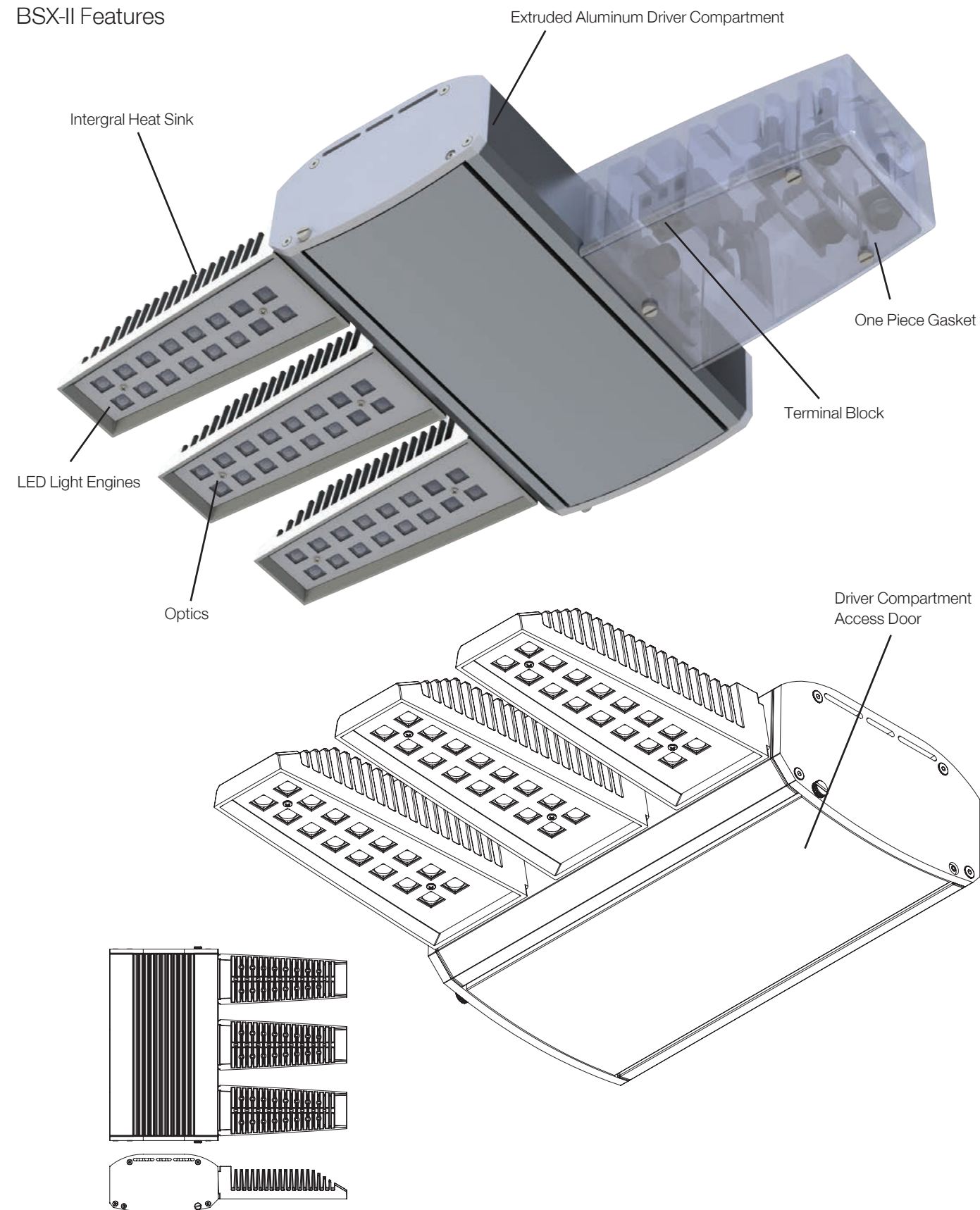
BSX-II WEIGHT		
BSX-2	BSX-3	BSX-4
16 LBS	21 LBS	26 LBS

BSX-II EPA DATA			
Tilt Deg.	BSX-2	BSX-3	BSX-4
0	.58	.58	.59
10	.58	.62	.77
20	.62	.82	1.02
30	.76	1.02	1.28
40	.9	1.2	1.53
50	1.01	1.36	1.75
60	1.11	1.5	1.93
70	1.14	1.6	2.06
80	1.19	1.66	2.13
90	1.21	1.68	2.14



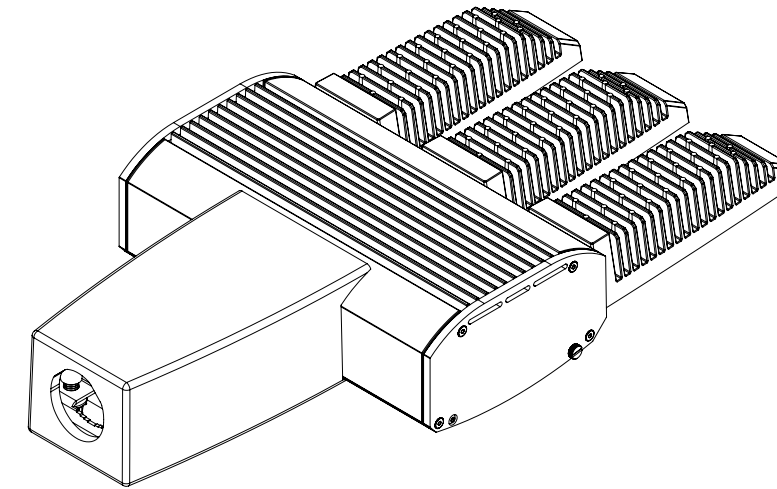
BSX-II Wildlife Certified - ELECTRICAL LOAD (A)							
Ordering Nomenclature	System Watts	120	208	240	277	347	480
BSX-II-2-T5W-32LC-3	36	0.30	0.17	0.15	0.13	0.10	0.08
BSX-II-2-T5W-32LC-5	53	0.44	0.25	0.22	0.19	0.15	0.11
BSX-II-3-T5W-48LC-3	54	0.45	0.26	0.23	0.19	0.16	0.11
BSX-II-3-T5W-48LC-5	81	0.68	0.39	0.34	0.29	0.23	0.17
BSX-II-4-T5W-64LC-3	73	0.61	0.35	0.30	0.26	0.21	0.15
BSX-II-4-T5W-64LC-5	107	0.89	0.51	0.45	0.39	0.31	0.22

BSX-II Features



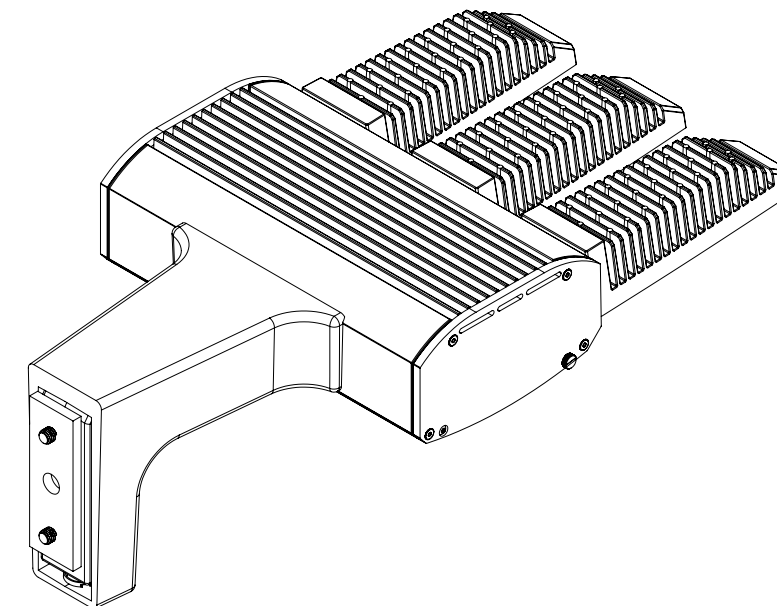
BSX-II Mounting Options

Mast Arm Mount

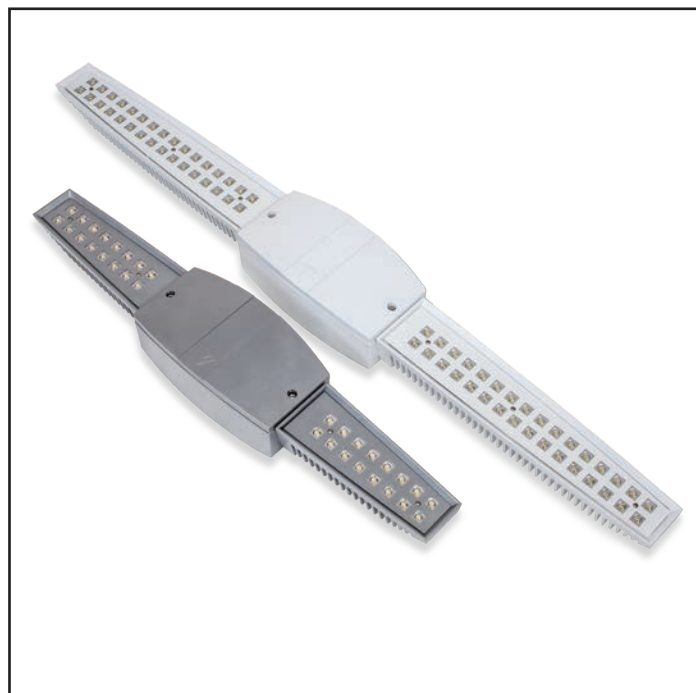


Mast Arm Fitter fits over a 2 3/8" tenon.

Arm Mount



The Bolt-On Arm (BOA) utilizes a 2 piece cleat system for easy installation. A Round Pole Plate Adaptor (RPP) is required for mounting to round poles.



Project Name: _____

Catalog Number: _____

Type: _____

The **BOW LED** luminaire from Visionaire, simplifies the task of selecting the best solution for LED parking garage lighting. The linear design of the luminaire, complements the linear design of the pre-cast concrete coffer; creating an integrated lighting effect; and maximizes the perceived lighting coverage. It is an ideal replacement for the high-maintenance fluorescent fixtures of yesterday.

The LED light engines are die-cast aluminum with external heat radiating fins for maximum heat dissipation; and is available in two sizes with either 32 or 64 LEDs. The separate cast aluminum driver compartment allows the driver to operate cooler for long life. Available for pendant mounting, wall mounting or choose the shallow speed mount bracket.

Eight optical distribution patterns are available. 590 nm diode supplied as standard. A durable polyester powder coat finish is guaranteed for five years; and is available in standard or custom colors.

The **BOW LED** series is an exceptional choice for parking garage lighting and other ceiling mount applications.

Ordering Information

MODEL	OPTICS	SOURCE	CURRENT	KELVIN	VOLTAGE	MOUNTING	FINISH	OPTIONS
BOW-1	T1	32LC	3 350mA	TS 590 nm	UNV 120-277V	SMB Speed Mount Bracket Ceiling Mount	BZ Bronze	WSC-8 Motion Sensor 8' Mounting Height
BOW-2	T2	64LC	5 530mA		8 347V	PM12 Pendant Mount 12" 30" Leads	BK Black	WSC-20 Motion Sensor 9-20' Mounting Height
	T3				5 480V	PM24 Pendant Mount 24" 42" Leads	SBK Smooth Black	WSC-40 Motion Sensor 21-40' Mounting Height
	T4					PM36 Pendant Mount 36" 54" Leads	WH White	The WSC option will require (1) FSIR 100 remote for programming
	T4A					WM Wall Mount	SWH Smooth White	MS Motion Sensor On/Off
	T5					UPL12 Up Light Mount 12"	GP Graphite	DIM 0-10v Dimming Driver
	T5W					UPL24 Up Light Mount 24"	GY Grey	VWC Visionaire Wireless Controls Consult Factory
	T5WR					UPL36 Up Light Mount 36" Up Light Pendant Mount for indoor applications only.	SL Silver Metallic	EBPL Emergency Battery Pack
							CC Custom Color	BD Bird Deterrent Pendant Mount Only
								LDL Lightly Diffused Lens
								LS Light Shield

Housing

- The separate driver housing is constructed of cast aluminum with a cast aluminum cover with captive fasteners; for easy access to the LED driver; allowing for cooler operation and longer life.
- Silicone gasketing is utilized throughout the fixture for weather tight operation.

Thermal Management

- The BOW Series provides excellent overall thermal management by maximizing the fixture's dual heat sink capabilities. This enables the Bow Series to withstand higher ambient temperatures and drive currents without degrading LED life. The BOW Series has a low thermal resistance rating. The heat radiating fins create superior thermal dissipation.
- The L70 test determines the point in an LEDs life when it reaches 70 percent of its initial output. The BOW Series LEDs have been determined to last a minimum of 100,000 hours in 25 °C environments when driven at 350 mA.

Optical System

- The highest lumen output LEDs are utilized in the BOW Series.
- IES distribution Types 1, 2, 3, 4, 4A, 5, 5W and 5WR are available.
- LED light assemblies come in multiples of 16 or 32 LEDs.
- 590 nm diode supplied as standard.

Quali-Guard® Finish

A Quali-Guard® thermoset polyester powder coat painted finish is available in standard and custom colors.

Mounting

- A galvanized steel ceiling mount bracket can be secured directly to a recessed junction box, or to the ceiling for surface mounting of the fixture.
- Mounting studs extend from the bracket for easy mounting of the housing to the ceiling mount bracket.
- A cast aluminum mounting hub is supplied with a 3/8" NPT for pendant mount applications.

Electrical Assembly

- The BOW Series is supplied with a choice of 350 or 530 mA high-performance LED drivers that accept 120v thru 480v, 50 Hz to 60 Hz, input.
- Power factor of 90%.
- Rated for -40° C to +55° C operations.
- THD less than or equal to 20%
- 10 kV surge protector supplied as standard.

Warranty

Five (5) year Limited Warranty on entire system, including finish. For full warranty information, please visit visionairelighting.com.

Options

- 0-10v Dimming Driver
- Watt Stopper FSP-211
- Motion Sensor
- Wireless Control
- Bird Deterrent
- Lightly Diffused Lens

Listings

- ETL Listed
- LM79 and LM80
- RoHS compliant
- IP66 Rated
- Powder Coated Tough™
- IDA Certification
- Turtle Safe
- Certified Wildlife Lighting

Patent No. USD688403S



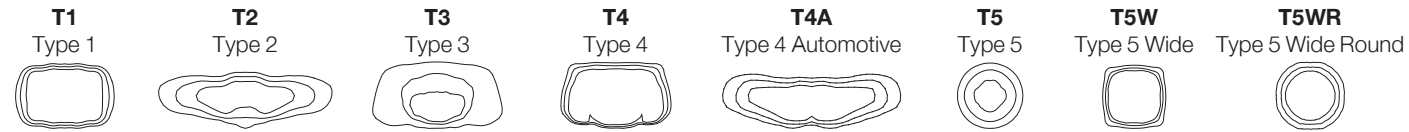
The Wildlife Lighting Program was developed by the Department of the Interior's U.S. Fish and Wildlife Service and the Florida Fish and Wildlife Conservation Commission to address light pollution issues in ecologically sensitive areas while ensuring human safety and security.



Motion Sensor Default Setting									
Type	High Mode	Low Mode	Time Delay	Cut off Delay	Sensitivity	Hold Off Setpoint	Photocell On/Off	Ramp Up Time	Fade Down Time
WSC - Default	10V	1V	5 Min	1 Hour	Max	Disabled	Disabled	Disabled	Disabled
WSC Range	0-10V	0-9.8V	5-30 Min	1-5 Hours	Low, Med, Max	1-250FC	1-250FC	1-60 Dec	1-60 Dec

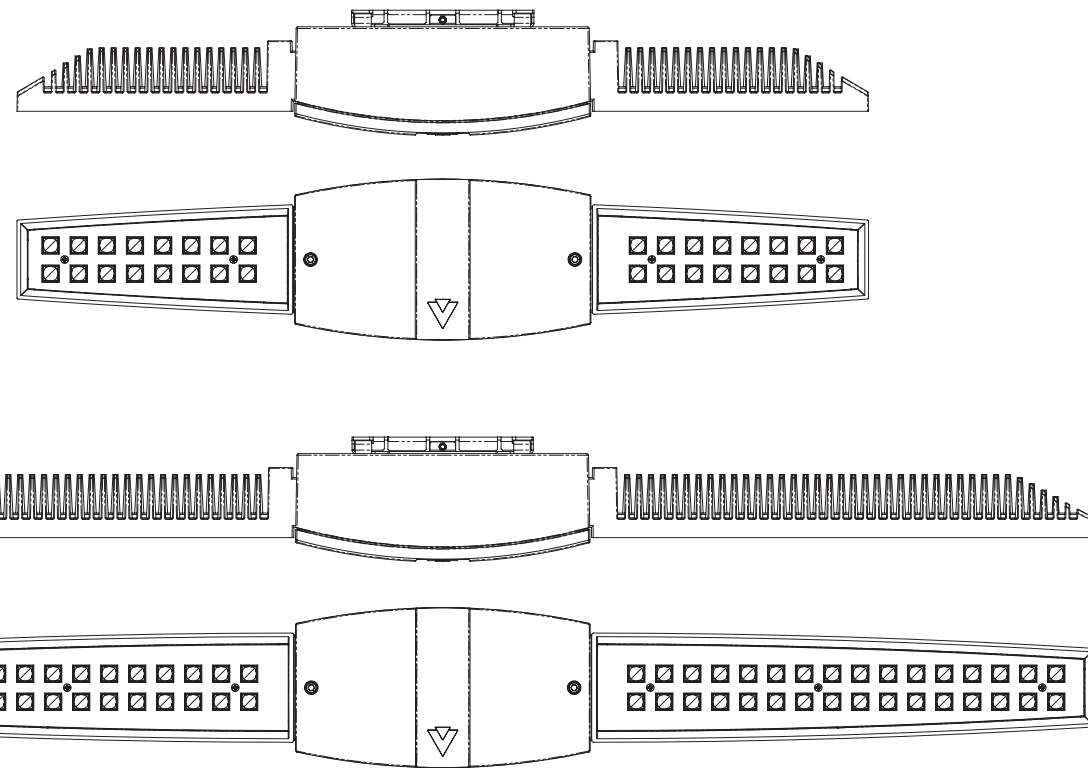
BOW Wildlife Certified LED Specifications

Photometric Optical Summary

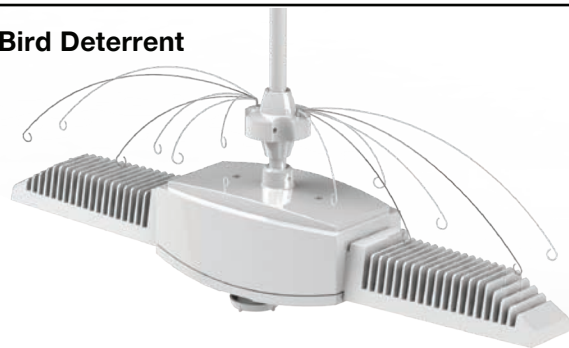


Dimensions

Width:	BOW-1 5.5"	Width:	BOW-2 5.5"
Height:	BOW-1 4.5"	Height:	BOW-2 4.5"
Depth:	BOW-1 30"	Depth:	BOW-2 46.5"
Weight:	BOW-1 18 LBS	Weight:	BOW-2 22 LBS



Bird Deterrent



Up Light Mount



BOW Wildlife Certified TS (590 nm) LUMEN DATA

# LEDs	Current (mA)	T1	T2	T3	T4	T4A	T5	T5W	T5WR	Watts
32	350	969	916	917	877	957	963	935	915	35
	530	1404	1327	1329	1271	1387	1396	1355	1326	57
64	350	1949	1842	1845	1765	1925	1938	1881	1842	74
	530	2820	2665	2670	2553	2785	2804	2721	2665	108

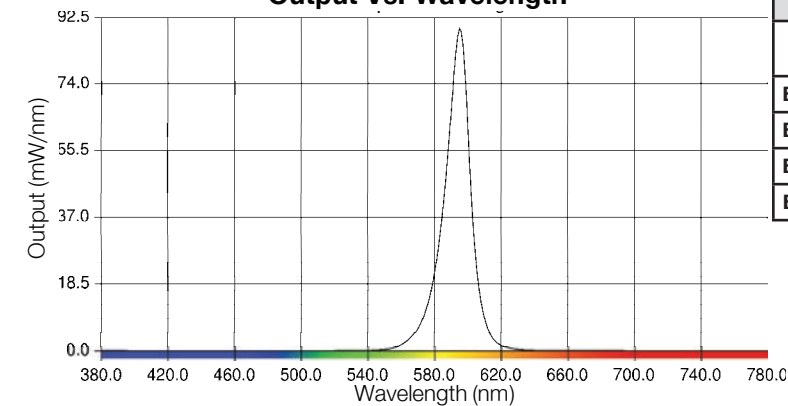
BOW Wildlife Certified TS (590 nm) LPW DATA

# LEDs	Current (mA)	T1	T2	T3	T4	T4A	T5	T5W	T5WR	Watts
32	350	28	26	26	25	27	28	27	26	35
	530	25	23	23	22	24	24	24	23	57
64	350	26	25	25	24	26	26	25	25	74
	530	26	25	25	24	26	26	25	25	108

BOW Wildlife Certified TS (590 nm) BUG DATA

# LEDs	Current (mA)	T1			T2			T3			T4			T4A			T5			T5W			T5WR			Watts
		B	U	G	B	U	G	B	U	G	B	U	G	B	U	G	B	U	G	B	U	G				
32	350	1	0	1	0	0	1	0	0	0	0	0	1	0	0	0	1	0	0	1	0	0	1	0	0	35
	530	1	0	1	0	0	1	0	0	1	0	0	1	0	0	1	1	0	0	1	0	0	1	0	1	57
64	350	1	0	1	1	0	1	1	0	1	1	0	1	1	0	1	1	0	0	2	0	0	1	0	1	74
	530	1	0	1	1	0	1	1	0	1	1	0	1	1	0	1	1	0	0	2	0	1	2	0	1	108

Output Vs. Wavelength



Ordering Nomenclature	System Watts	BOW Wildlife Certified - ELECTRICAL LOAD (A)					
		120	208	240	277	347	480
BOW-1-T5W-32LC-3	35	0.29	0.17	0.15	0.13	0.10	0.07
BOW-1-T5W-32LC-5	57	0.48	0.27	0.24	0.21	0.16	0.12
BOW-2-T5W-64LC-3	74	0.62	0.36	0.31	0.27	0.21	0.15
BOW-2-T5W-64LC-5	108	0.90	0.52	0.45	0.39	0.31	0.23



PRE-2-L



PREMIER

PRE-2-L Turtle Safe LED Specifications



Project Name: _____

Catalog Number: _____

Type: _____

Contemporary design meets the new generation of LED green technology in this stunning luminaire, the **PRE-2-L**. The Premier II series provides over fifty percent energy savings over traditional HID light sources; and offers excellent beam control and LED life beyond 100,000 hours for 350 milliamp systems. The PRE-2-L is offered in six optical distributions.

The PRE-2-L's fully-sealed housing features an exceptionally well-designed thermal management system that provides superior heat dissipation.

The PRE-2-L fixture is built with a cast aluminum housing, extruded aluminum arms and a spun aluminum, removable top.

The popular **PRE-2-L** is the perfect compliment to any university campus, business park, or walkway project where contemporary, architectural design is desired.

Ordering Information

MODEL	OPTICS	SOURCE	CURRENT	KELVIN	VOLTAGE	MOUNTING	FINISH	OPTIONS
PRE-2-L	T1	32LC	3	TS	UNV	PT	BZ	PC-120
	T2	48LC	350mA	590 nm	120-277V	Slips over 4" OD tenon X 4.5" tall as standard	BK	Button Type Photocell
	T3	64LC	5				SBK	PC-208
	T4	80LC	530mA				WH	Button Type Photocell
	T5	96LC					SWH	PC-240
	T5W						GP	Button Type Photocell
							GY	PC-277
							SL	Button Type Photocell
							CC	WSC-8
								Motion Sensor 8" Mounting Height
								WSC-20
								Motion Sensor 9-20" Mounting Height
								WSC-40
								Motion Sensor 21-40" Mounting Height
								The WSC option will require (1) FSIR 100 remote for programming
								DIM
								0-10V Dimming Driver
								VWC
								Visionaire Wireless Controls Consult Factory
								LS
								Light Shield

Features & Specifications

LED Specifications PRE-2-L Turtle Safe

Housing

- The PRE-2-L's housing is constructed from durable, corrosion-resistant, cast aluminum.
- The spun aluminum top cap is .080 gauge, and easily removable for service.
- Silicone gasketing is provided for complete weather and insect protection.

Thermal Management

The PRE-2-L provides excellent overall thermal management by maximizing the efficiency of the heat sink in the fixture. This enables the Premier II to withstand higher ambient temperatures and higher drive currents without degrading LED life.

Optical System

- The highest lumen output LEDs are utilized. High-performance acrylic optics feature industry leading Type 1, 2, 3, 4, 5, 5W and 5WR optical distributions.
- Acrylic optics are impact-resistant and rated to 94 percent translucence.
- L70 life of our LEDs is rated over 100,000 hours (for 350 mA)
- The optical system qualifies as IES full cutoff to restrict light trespass, glare and light pollution for neighborhood-friendly lighting.
- 590 nm diode supplied as standard.

Quali-Guard® Finish

- Fixture components are chemically pretreated through a multiple-stage washer, and finished with an electrostatically-applied, thermoset polyester powder coat textured paint with a 3 to 5 mils thickness. Finish is oven-baked at 400° F for maximum adherence and finish hardness.
- Available in standard and custom colors.
- Finish is guaranteed for five (5) years.

Post Top Mount

- The PRE-2-L's contractor-friendly mounting hardware slips over 3" or 4" O.D. x 4" tall tenon utilizing stainless steel hardware.
- Round Internal Tenon Adaptors (RITA) are recommended for a smooth-looking connection. Standard for 4" poles, custom size required for 3" or 5" poles.

Electrical Assembly

- The PRE-2-L is supplied with a high-performance driver available in 350, 530 or 700mA. The driver is integrally-located in the housing, and is operational from 120 V through 480 V, 50 Hz to 60 Hz input.
- Power factor is 90%.
- Rated for -40° to 50°C operation.
- 10 kV surge protector supplied as standard.

Warranty

Five (5) year Limited Warranty on entire system, including finish. For full warranty information, please visit www.visionairelighting.com.

Options

- Button type photocell
 - 0-10v Dimming Driver
 - WattStopper FSP-211 Motion Sensor
 - Wireless Control
 - Illuminated Ring
- Please consult factory for detailed custom options.

Listings

- PRE-2-L is cUL listed
- DLC Listed
- IDA Certification
- IP66 Rated
- LM79 and LM80
- Powder Coated Tough™
- Turtle Safe

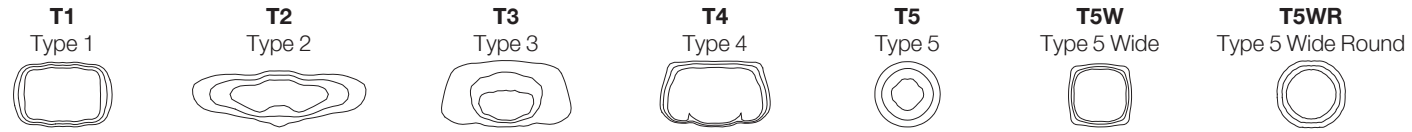


DesignLights Consortium (DLC) qualified Product. Some configurations of this product family may not be DesignLights Consortium (DLC) listed, please refer to the DLC qualified products list to confirm listed configurations. <http://www.designlights.org/>

Motion Sensor Default Setting									
Type	High Mode	Low Mode	Time Delay	Cut off Delay	Sensitivity	Hold Off Setpoint	Photocell On/Off	Ramp Up Time	Fade Down Time
WSC - Default	10V	1V	5 Min	1 Hour	Max	Disabled	Disabled	Disabled	Disabled
WSC Range	0-10V	0-9.8V	5-30 Min	1-5 Hours	Low, Med, Max	1-250FC	1-250FC	1-60 Dec	1-60 Dec

PRE-2-L Turtle Safe LED Specifications

Photometric Optical Summary

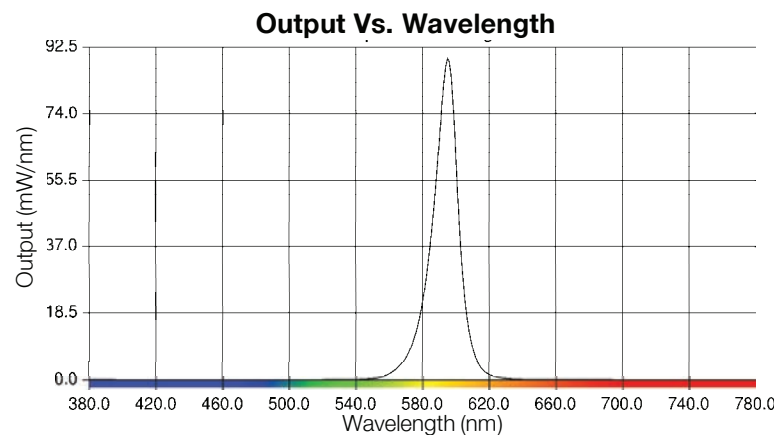
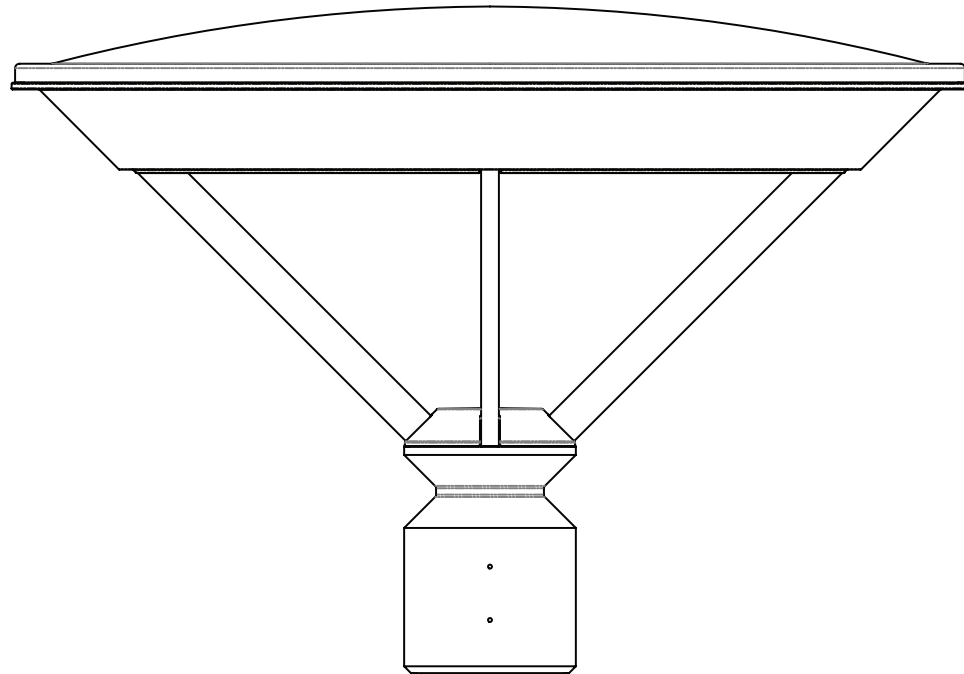


EPA Data

● 1.2

Dimensions

Width:	PRE-2-L 27"
Height:	PRE-2-L 19"
Weight:	56 LBS



PRE-2-L Turtle Safe (590 nm) LUMEN DATA									
# LEDs	Current (mA)	T1	T2	T3	T4	T5	T5W	T5WR	Wattage
32	350	1041	958	950	934	1026	980	980	35
	530	1518	1398	1386	1362	1497	1429	1430	56
48	350	1589	1462	1450	1425	1567	1495	1496	55
	530	2253	2074	2056	2021	2222	2121	2122	80
64	350	2067	1903	1887	1854	2039	1946	1947	71
	530	2932	2699	2676	2630	2892	2760	2762	104
80	350	2561	2357	2337	2297	2526	2410	2412	84
	530	3647	3357	3328	3271	3596	3432	3435	128
96	350	3035	2793	2769	2722	2993	2856	2858	101
	530	4261	3922	3889	3822	4203	4011	4013	152

PRE-2-L Turtle Safe (590 nm) LPW DATA									
# LEDs	Current (mA)	T1	T2	T3	T4	T5	T5W	T5WR	Wattage
32	350	30	27	27	27	29	28	28	35
	530	27	25	25	24	27	26	26	56
48	350	29	27	26	26	28	27	27	55
	530	28	26	26	25	28	27	27	80
64	350	29	27	27	26	29	27	27	71
	530	28	26	26	25	28	27	27	104
80	350	30	28	28	27	30	29	29	84
	530	28	26	26	26	28	27	27	128
96	350	30	28	27	27	30	28	28	101
	530	28	26	26	25	28	26	26	152

PRE-2-L Turtle Safe (590 nm) BUG DATA																							
# LEDs	Current (mA)	T1			T2			T3			T4			T5			T5W			T5WR			Wattage
		B	U	G	B	U	G	B	U	G	B	U	G	B	U	G	B	U	G				
16	350	1	0	1	0	0	1	0	0	1	0	0	1	1	0	0	1	0	0	1	0	0	35
	530	1	0	1	1	0	1	0	0	1	0	0	1	1	0	0	1	0	1	1	0	0	56
32	350	1	0	1	1	0	1	0	0	1	0	0	1	1	0	0	1	0	1	1	0	1	55
	530	1	0	1	1	0	1	1	0	1	1	0	1	1	0	1	2	0	1	2	0	1	80
48	350	1	0	1	1	0	1	1	0	1	1	0	1	1	0	1	1	0	1	2	0	1	71
	530	1	0	1	1	0	1	1	0	1	1	0	1	2	0	1	2	0	1	2	0	1	104
80	350	1	0	1	1	0	1	1	0	1	1	0	1	1	0	1	2	0	1	2	0	1	84
	530	2	0	2	1	0	1	1	0	1	1	0	1	2	0	1	2	0	1	2	0	1	128
96	350	2	0	2	1	0	1	1	0	1	1	0	1	2	0	1	2	0	1	2	0	1	101
	530	2	0	2	1	0	2	1	0	1	1	0	1	2	0	1	2	0	1	3	0	1	152

PRE-2-L Turtle Safe - ELECTRICAL LOAD (A)							
Ordering Nomenclature	System Watts	120	208	240	277	347	480
PRE-2-L-T5W-32LC-3	35	0.29	0.17	0.15	0.13	0.10	0.07
PRE-2-L-T5W-32LC-5	56	0.47	0.27	0.23	0.20	0.16	0.12
PRE-2-L-T5W-48LC-3	55	0.46	0.26	0.23	0.20	0.16	0.11
PRE-2-L-T5W-48LC-5	80	0.67	0.38	0.33	0.29	0.23	0.17
PRE-2-L-T5W-64LC-3	71	0.59	0.34	0.30	0.26	0.20	0.15
PRE-2-L-T5W-64LC-5	104	0.87	0.50	0.43	0.38	0.30	0.22
PRE-2-L-T5W-80LC-3	84	0.70	0.40	0.35	0.30	0.24	0.18
PRE-2-L-T5W-80LC-5	128	1.07	0.62	0.53	0.46	0.37	0.27
PRE-2-L-T5W-96LC-3	101	0.84	0.49	0.42	0.36	0.29	0.21
PRE-2-L-T5W-96LC-5	152	1.27	0.73	0.63	0.55	0.44	0.32



PGR-1



PGA-1 CM



PG-Collection

PGA-1 CM Wildlife Certified LED Specifications



Project Name: _____

Catalog Number: _____

Type: _____

The **PGA LED** luminaire from Visionaire, simplifies the task of selecting the best solution for LED parking garage lighting. The design of the luminaire, compliments the design of the pre-cast concrete coffer; creating an integrated lighting effect; and maximizes the perceived lighting coverage. It is an ideal replacement for the high-maintenance fluorescent or HID fixtures of yesterday. The housing is formed aluminum with internal heat sink for maximum heat dissipation; with either 16, 32 or 48 LEDs. The formed aluminum driver compartment allows the driver to operate cooler for long life. Available with a Low Profile Mount Bracket, and a Ceiling Mount Bracket for surface conduit mounting, or Pendant Mounting. Six optical distribution patterns are available. 590 nm diode supplied as standard. A durable polyester powder coat finish is guaranteed for five years; and is available in standard or custom colors. The **PGA LED** series is an exceptional choice for parking garage lighting and other ceiling mount applications.

Ordering Information

MODEL	OPTICS	SOURCE	CURRENT	KELVIN	VOLTAGE	MOUNTING	FINISH	OPTIONS
PGA-1	T1	16LC	3 350mA	TS 590 nm	UNV 120-277V	LPM Low Profile Mount Ceiling Mount No conduit feed.	BZ Bronze	WSC-8 Dimmable Motion Sensor 8' Mounting Height
	T2	32LC	5 530mA		8 347V	PM12 Pendant Mount 12" 30" Leads	BK Black	WSC-20 Dimmable Motion Sensor 9-20' Mounting Height
	T3	48LC			5 480V	PM24 Pendant Mount 24" 42" Leads	SBK Smooth Black	WSC-40 Dimmable Motion Sensor 21-40' Mounting Height
	T4					PM36 Pendant Mount 36" 54" Leads	WH White	The WSC option will require (1) FSIR 100 remote for programming
	T5					CM Ceiling Mount 1/2" & 3/4" Knockouts	SWH Smooth White	
	T5W						GP Graphite	MS-8 Motion Sensor 8' Mounting Height
	T5WR						GY Grey	MS-20 Motion Sensor 9-20' Mounting Height
							SL Silver Metallic	MS-40 Motion Sensor 21-40' Mounting Height
							CC Custom Color	DIM 0-10v Dimming Driver
								EBPL Emergency Battery Pack 120V-277V Only
							LDL Lightly Diffused Lens 350mA and 530mA only	
							VVC Visionaire Wireless Controls Consult Factory	
							LS Light Shield	

Features & Specifications

PGA-1 CM Wildlife Certified

Housing

Heavy duty formed aluminum housing with internal heat sink for maximum heat dissipation. Silicone gasket is used for weather tight operation.

Mounting

- A Low Profile, hinged, ceiling mount bracket, can be secured directly to a 4" or 5" recessed junction box, or to the ceiling.
- A Ceiling Mount bracket with 1/2" and 3/4" knockouts is also available for surface conduit mounting.
- The ceiling hangar bracket on both versions allows the fixture to be suspended while making the wiring connections. The housing bracket then attaches to the ceiling bracket via a tamper-proof screw.
- 3/8" NPT stem and canopy supplied for pendant mount applications.

Thermal Management

The PGA series provides excellent thermal management by mounting the LEDs to the substantial heat sink within the housing. This enables the Luminaire to withstand higher ambient temperatures and driver currents without degrading LED life.

Optical System

- The highest lumen output LEDs are utilized. High-performance acrylic optics feature industry leading Type 1, 2, 3, 4, 5, 5W and 5WR optical distributions. Acrylic optics are impact-resistant and rated to 94 percent translucence.
- L70 life of our LEDs is rated over 100,000 hours (for 350 mA), The optical system qualifies as IES full cutoff to restrict light trespass, glare and light pollution for neighborhood-friendly lighting.
- 590 nm diode supplied as standard.

Quali-Guard® Finish

- The finish is a Quali-Guard® textured, chemically pretreated through a multiple-stage washer, electrostatically applied, thermoset polyester powder coat finish, with a minimum of 3-5 millimeter thickness. Finish is oven-baked at 400° F to promote maximum adherence and finish hardness.
- All finishes are available in standard and custom colors.
- Finish is guaranteed for five (5) years.

Electrical Assembly

- The PGA LED series is supplied with a choice of 350 or 530 mA high-performance LED drivers that accept 120v thru 480v, 50 Hz to 60 Hz, input.
- Power factor of 90%.
- Rated for -40° C operations.
- 10 kV surge protector supplied as standard.

Warranty

Five (5) year Limited Warranty on electrical components, Five (5) year on finish. For full warranty information, please visit visionairelighting.com.

Options

- Watt Stopper FSP-211 Motion Sensor
- Dimming Driver
- Diffused Lens

Listings

- PGA is UL listed, suitable for wet locations
- IP65 Rated
- Powder Coated Tough™
- IDA Certification
- Turtle Safe
- Certified Wildlife Lighting



The Wildlife Lighting Program was developed by the Department of the Interior's U.S. Fish and Wildlife Service and the Florida Fish and Wildlife Conservation Commission to address light pollution issues in ecologically sensitive areas while ensuring human safety and security.

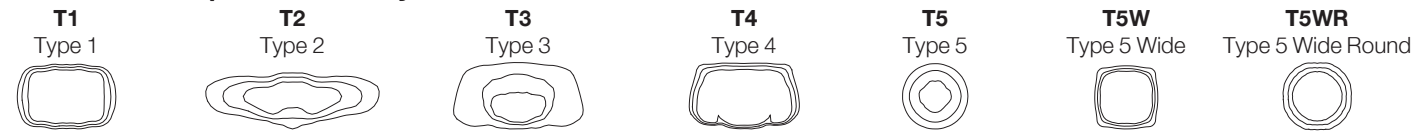


Motion Sensor Default Setting									
Type	High Mode	Low Mode	Time Delay	Cut off Delay	Sensitivity	Hold Off Setpoint	Photocell On/Off	Ramp Up Time	Fade Down Time
WSC - Default	10V	1V	5 Min	1 Hour	Max	Disabled	Disabled	Disabled	Disabled
WSC Range	0-10V	0-9.8V	5-30 Min	1-5 Hours	Low, Med, Max	1-250FC	1-250FC	1-60 Dec	1-60 Dec

PGA-1 CM Wildlife Certified LED Specifications

Photometric Optical Summary

Not all optics are available on all fixtures. Check ordering chart for availability

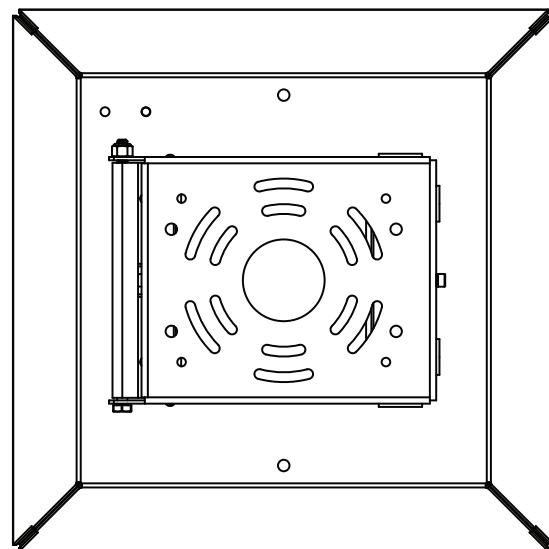


Dimensions

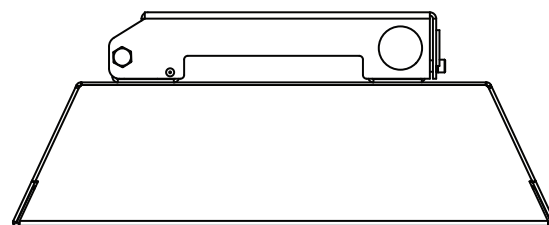
Width: PGA-1 15"

Height: PGA-1 5.0"

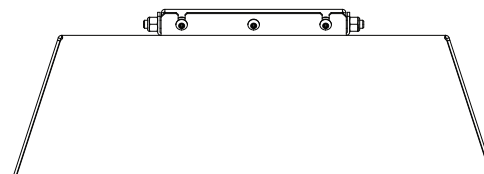
Weight: 18 LBS



Ceiling Mount



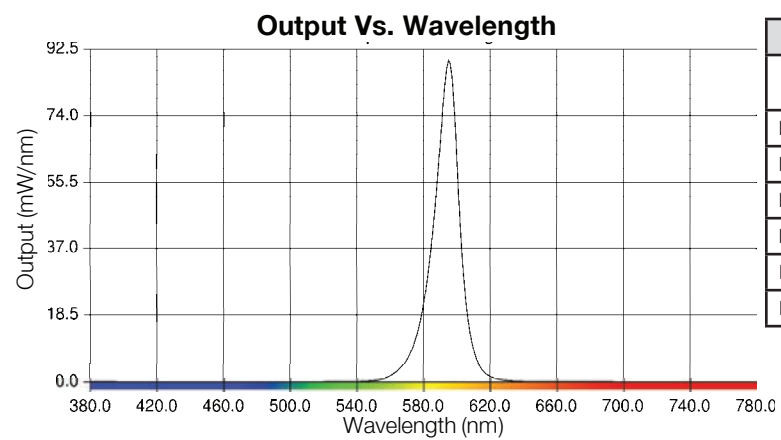
Low Profile Mount



PGA -1 Wildlife Certified TS (590 nm) LUMEN DATA									
# LEDs	Current (mA)	T1	T2	T3	T4	T5	T5W	T5WR	Watts
16	350	517	478	476	467	523	472	473	18
	530	744	689	686	672	753	680	681	26
32	350	1094	1012	1008	1057	1107	1000	1000	35
	530	1566	1449	1443	1415	1585	1431	1432	52
48	350	1639	1517	1511	1467	1659	1498	1499	53
	530	2197	2033	2025	1985	2224	2008	2010	78

PGA -1 Wildlife Certified TS (590 nm) LPW DATA									
# LEDs	Current (mA)	T1	T2	T3	T4	T5	T5W	T5WR	Watts
16	350	29	27	26	26	29	26	26	18
	530	29	26	26	26	29	26	26	26
32	350	31	29	29	30	32	29	29	35
	530	30	28	28	27	30	28	28	52
48	350	31	29	29	28	31	28	28	53
	530	28	26	26	25	29	26	26	78

PGA -1 Wildlife Certified TS (590 nm) BUG DATA																							
# LEDs	Current (mA)	T1			T2			T3			T4			T5			T5W			T5WR			Watts
		B	U	G	B	U	G	B	U	G	B	U	G	B	U	G	B	U	G				
16	350	1	0	1	0	0	1	1	0	1	1	0	1	2	0	1	3	0	1	1	0	1	18
	530	1	0	1	2	0	2	1	0	2	1	0	1	3	0	1	1	0	1	1	0	1	26
32	350	1	0	1	0	0	1	0	0	1	0	0	1	1	0	0	1	0	0	1	0	0	35
	530	2	0	2	1	0	1	0	0	1	1	0	1	1	0	0	1	0	1	1	0	1	52
48	350	2	0	2	1	0	1	0	0	1	1	0	1	1	0	0	2	0	1	2	0	1	53
	530	1	0	1	1	0	1	1	0	1	1	0	1	2	0	0	2	0	1	2	0	1	78



PGA-1 Wildlife Certified - ELECTRICAL LOAD (A)							
Ordering Nomenclature	System Watts	120	208	240	277	347	480
PGA-1-T5W-16LC-3	18	0.15	0.09	0.08	0.06	0.05	0.04
PGA-1-T5W-16LC-5	26	0.22	0.13	0.11	0.09	0.07	0.05
PGA-1-T5W-32LC-3	35	0.29	0.17	0.15	0.13	0.10	0.07
PGA-1-T5W-32LC-5	52	0.43	0.25	0.22	0.19	0.15	0.11
PGA-1-T5W-48LC-3	53	0.44	0.25	0.22	0.19	0.15	0.11
PGA-1-T5W-48LC-5	78	0.65	0.38	0.33	0.28	0.22	0.16

PGR-1 Turtle Safe LED Specifications



Project Name:

Catalog Number:

Type:

The **PGR-1 LED** luminaire from Visionaire incorporates our single chip LED technology; while maintaining a traditional architectural fixture form factor. The LEDs performance and life are maximized by the unique integral aluminum heat sink. It is an ideal retrofit for the high-maintenance HID fixtures of yesterday.

The LED housing is heavy duty spun aluminum with either 16, 32 or 48 LEDs. Mounting options include Universal Bolt On Arm, Yoke Mount, Knuckle Mount or Wall Mount. The Universal Bolt on Arm is available with a Quick Mount Pole Adaptor for retrofitting existing poles.

Seven optical distribution patterns are available. 590 nm diode supplied as standard.

A durable polyester powder coat finish is guaranteed for five years and is available in standard or custom colors.

The **PGR-1 LED** series is an exceptional choice for universities, shopping centers, parks and recreational areas and general site lighting.

Ordering Information

MODEL	OPTICS	LEDs	CURRENT	KELVIN	VOLTAGE	MOUNTING	FINISH	OPTIONS	OPTIONS
PGR-1	T1	16LC	3	TS	UNV	UBOA	BZ	PCR-120	WSC-8
	T2	32LC	350mA	590 nm	120-277V	Universal Bolt-On Arm	Bronze	Photocell & Receptacle	Motion Sensor 8' Mounting Height
	T3	48LC	5		8	YM	BK	PCR-208	WSC-20
	T4		530mA	347V	480V		Black	Photocell & Receptacle	Motion Sensor 9-20' Mounting Height
	T5				5	WM	SBK	PCR-240	WSC-40
	T5W					Wall Mount	Smooth Black	Photocell & Receptacle	Motion Sensor 21-40' Mounting Height
	T5WR						WH	PCR-277	
						White	Photocell & Receptacle	The WSC option will require (1) FSIR 100 remote for programming	
						SWH	PCR-480	VWC	
						Smooth White	Photocell & Receptacle	Visionaire Wireless Controls Consult Factory	
						GP	PER	RPP	
						Graphite	3 Pin Photo Receptacle w/shorting cap	Round Pole Plate Adaptor	
						GY	5PINPER	ROT-R	
						Grey	5 Pin Photo Receptacle w/shorting cap Requires Dimming Driver	Rotated Optics Right Side	
						SL	7PINPER	ROT-L	
						Silver Metallic	7 Pin Photo Receptacle w/shorting cap Requires Dimming Driver	Rotated Optics Left Side	
						CC	DIM	LS	
						Custom Color	0-10v Dimming Driver	Light Shield	

Features & Specifications

PGR-1 Turtle Safe

Housing

- Heavy duty spun aluminum housing with internal heat sink for maximum heat dissipation.
- Silicone gasket is used for weather tight operation.

Mounting

- Universal Bolt On Arm - A pre-attached aluminum arm (UBOA) is supplied along with a Universal Quick Mount pole adaptor for fast and easy attachment to the pole.
- Yoke Mount - A post adaptor fits over a vertical 2 3/8" tenon secured with stainless steel hardware.
- Wall Mount - Bolt-on arm wall plate

Thermal Management

The PGR-1 series provides excellent thermal management by mounting the LEDs to the substantial heat sink within the housing. This enables the Luminaire to withstand higher ambient temperatures and driver currents without degrading LED life.

Optical System

- The highest lumen output LEDs are utilized. High-performance acrylic optics feature industry leading Type 1, 2, 3, 4, 5, 5W and 5WR optical distributions.
- Acrylic optics are impact-resistant and rated to 94 percent translucence.
- L70 life of our LEDs is rated over 100,000 hours (for 530 mA).
- The optical system qualifies as IES full cutoff to restrict light trespass, glare and light pollution for neighborhood-friendly lighting.
- 590 nm diode supplied as standard.

Quali-Guard® Finish

- The finish is a Quali-Guard® textured, chemically pretreated through a multiple-stage washer, electrostatically applied, thermoset polyester powder coat finish, with a minimum of 3-5 millimeter thickness. Finish is oven-baked at 400° F to promote maximum adherence and finish hardness.
- All finishes are available in standard and custom colors.
- Finish is guaranteed for five (5) years.

Electrical Assembly

- The PGR-1 LED series is supplied with a choice of 350 or 530 mA high-performance LED drivers that accept 120v thru 480v, 50 Hz to 60 Hz, input.
- Power factor of 90%.
- Rated for -40°C operations.
- 10kV Surge Protector supplied as standard.
- THD less than or equal to 20%

Warranty

- Five (5) year Limited Warranty on electrical components
 - Five (5) year on finish.
- For full warranty information, please visit www.visionairelighting.com.

Options

- Photocell & Receptacle
- Photocell Receptacle
- WattStopper FSP-211 Motion Sensor
- 0-10 Volt Dimming Driver
- Emergency Battery Pack
- Wireless Controls
- Round Pole Plate Adapter
- Rotated Optics

Listings

- PGR-1 is cUL listed, suitable for wet locations
- IP65 Rated
- Powder Coated Tough™
- DLC Listed
- IDA Certification
- Turtle Safe



DesignLights Consortium (DLC) qualified Product. Some configurations of this product family may not be DesignLights Consortium (DLC) listed, please refer to the DLC qualified products list to confirm listed configurations. <http://www.designlights.org/> 3000K must be selected for IDA certification.

Motion Sensor Default Setting									
Type	High Mode	Low Mode	Time Delay	Cut off Delay	Sensitivity	Hold Off Setpoint	Photocell On/Off	Ramp Up Time	Fade Down Time
WSC - Default	10V	1V	5 Min	1 Hour	Max	Disabled	Disabled	Disabled	Disabled
WSC Range	0-10V	0-9.8V	5-30 Min	1-5 Hours	Low, Med, Max	1-250FC	1-250FC	1-60 Dec	1-60 Dec

PGR-1 Turtle Safe LED Specifications

Photometric Optical Summary

	T1 Type 1	T2 Type 2	T3 Type 3	T4 Type 4	T5 Type 5	T5W Type 5 Wide	T5WR Type 5 Wide Round
EPA Data	0.70	1.08	1.4	1.56	1.78	1.56	

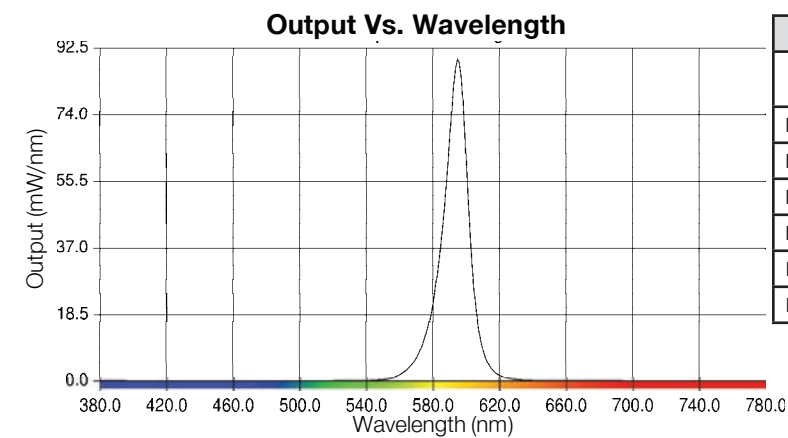
Dimensions

Width:	PGR-1 16.0"
Depth:	PGR-1 5.0"
Height:	PGR-1 5.0"
Overall Height:	PGR-1 0.0"
Weight:	20 LBS

PGR-1 Turtle Safe (590 nm) LUMEN DATA									
# LEDs	Current (mA)	T1	T2	T3	T4	T5	T5W	T5WR	Wattage
16	350	517	478	476	467	523	472	473	18
	530	744	689	686	672	753	680	681	26
32	350	1094	1012	1008	1057	1107	1000	1000	35
	530	1566	1449	1443	1415	1585	1431	1432	52
48	350	1639	1517	1511	1467	1659	1498	1499	53
	530	2197	2033	2025	1985	2224	2008	2010	78

PGR-1 Turtle Safe (590 nm) LPW DATA									
# LEDs	Current (mA)	T1	T2	T3	T4	T5	T5W	T5WR	Wattage
16	350	29	27	26	26	29	26	26	18
	530	29	26	26	26	29	26	26	26
32	350	31	29	29	30	32	29	29	35
	530	30	28	28	27	30	28	28	52
48	350	31	29	29	28	31	28	28	53
	530	28	26	26	25	29	26	26	78

PGR-1 Turtle Safe (590 nm) BUG DATA																							
# LEDs	Current (mA)	T1			T2			T3			T4			T5			T5W			T5WR			Wattage
		B	U	G	B	U	G	B	U	G	B	U	G	B	U	G	B	U	G	B	U	G	
16	350	1	0	1	0	0	1	0	0	1	0	0	1	3	0	1	3	0	1	1	0	1	18
	530	1	0	1	1	0	1	0	0	1	1	0	1	1	0	0	1	0	1	1	0	0	26
32	350	1	0	1	1	0	1	0	0	1	0	0	1	1	0	0	1	0	1	1	0	0	35
	530	2	0	2	1	0	1	1	0	1	1	0	1	1	0	0	2	0	1	1	0	1	52
48	350	2	0	2	1	0	1	1	0	1	1	0	1	2	0	0	2	0	1	2	0	1	53
	530	2	0	2	1	0	2	1	0	1	1	0	1	2	0	1	2	0	1	2	0	1	78

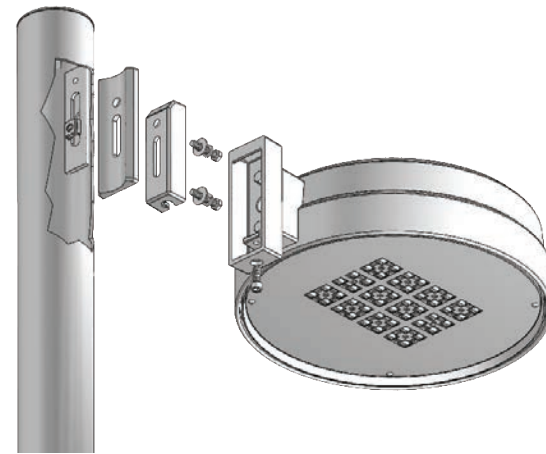


PGR-1 Turtle Safe - ELECTRICAL LOAD (A)							
Ordering Nomenclature	System Watts	120	208	240	277	347	480
PGR-1-T5W-16LC-3	18	0.15	0.09	0.08	0.06	0.05	0.04
PGR-1-T5W-16LC-5	26	0.22	0.13	0.11	0.09	0.07	0.05
PGR-1-T5W-32LC-3	35	0.29	0.17	0.15	0.13	0.10	0.07
PGR-1-T5W-32LC-5	52	0.43	0.25	0.22	0.19	0.15	0.11
PGR-1-T5W-48LC-3	53	0.44	0.25	0.22	0.19	0.15	0.11
PGR-1-T5W-48LC-5	78	0.65	0.38	0.33	0.28	0.22	0.16

Spider Mount Detail

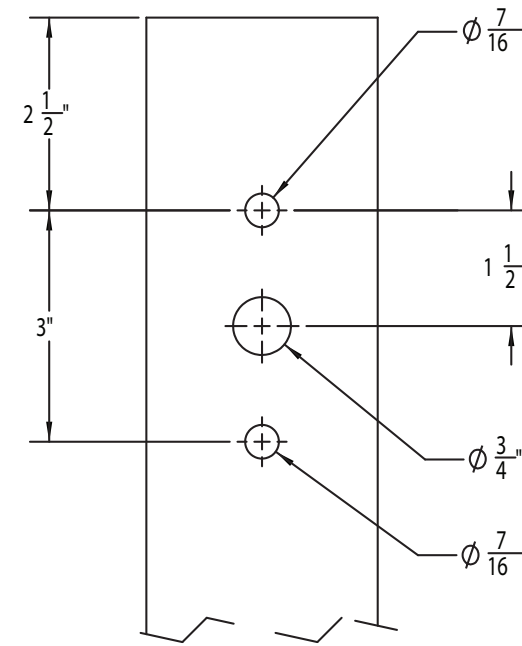


Arm Mount Assembly Drawing

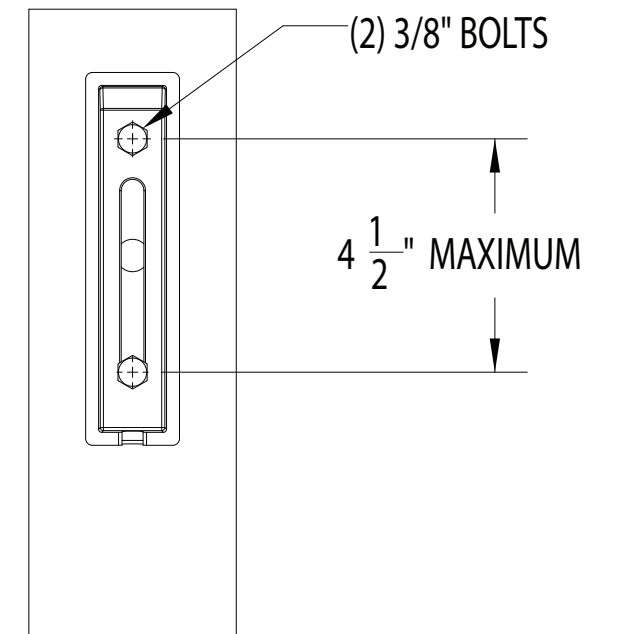


Round Pole Plate Adapter order separately.

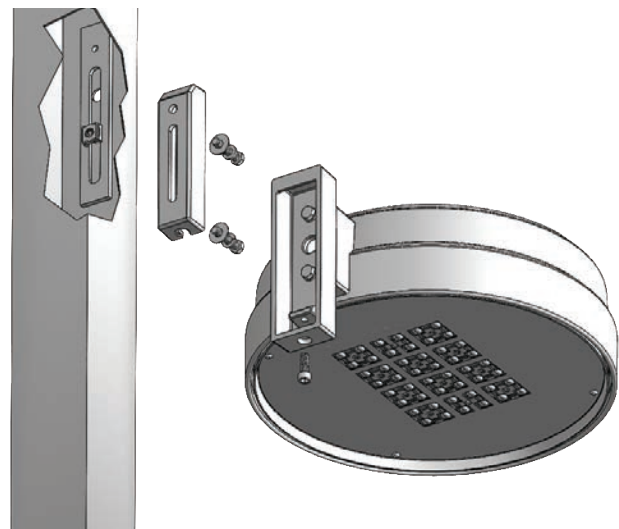
Arm Mount Drill Diagram



UBOA Drill Diagram

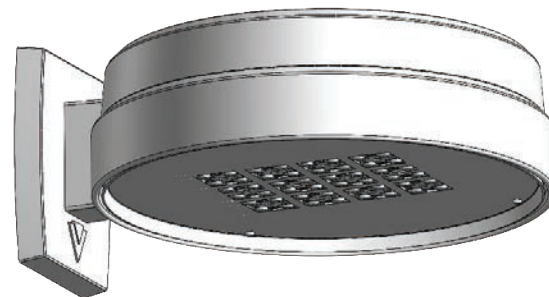


PGR UBOA Assembly Drawing



Round Pole Plate Adapter order separately.

PGR Wall Mount Drawing





ARI-1-L (AM)



ARI-1-L (PT)



Aria

ARIA-1 Turtle Safe LED Specifications

Features & Specifications

ARIA-1 Turtle Safe



Project Name:

Catalog Number:

Type:

Contemporary design meets the new generation of LED green technology in this stunning luminaire, the **Aria**. The Aria series provides over fifty percent energy savings over traditional HID light sources; and offers excellent beam control and LED life beyond 100,000 hours for 350 milliamp systems. The Aria is offered in six optical distributions. 590 nm diode supplied as standard.

The Aria fully-sealed housing features an exceptionally well-designed thermal management system that provides superior heat dissipation.

The popular **Aria** is the perfect compliment to any university campus, business park, or walkway project where contemporary, architectural design is desired.

Ordering Information

MODEL	OPTICS	LEDS	CURRENT	KELVIN	VOLTAGE	MOUNTING	FINISH	OPTIONS	OPTIONS
ARI-1-L	T1	42LC	3	TS	UNV	AM	BZ	PCR-120	PER
	T2	84LC	350mA	590 nm	120-277V	Arm Mount	Bronze	PhotoCell & Receptacle	3 Pin Photo Receptacle
	T3		5		8				w/shorting cap
	T4		530mA		347V	PT	BK	PCR-208	5PINPER
	T5				480V	Post Top	Black	PhotoCell & Receptacle	5 Pin Photo Receptacle
T5W					Slips over 3"ØD tenon x 4" tall with special threaded mounting plate.	SBK	PCR-240	w/shorting cap	
						Requires special tenon adaptor if poles are not Visionaire Lighting poles.	Smooth Black	PhotoCell & Receptacle	Requires Dimming Driver
							WH	PCR-277	7PINPER
							White	PhotoCell & Receptacle	7 Pin Photo Receptacle
							SWH	PCR-480	w/shorting cap
							Smooth White	PhotoCell & Receptacle	Requires Dimming Driver
							WM		
						Wall Mount			
						Round Pole Plate Adaptors (RPP) are to be ordered separately.	GP	WSC-8	RPP3
							Graphite	Motion Sensor 8' Mounting Height	For 3"Ø Pole Round Pole Plate Adaptor
							GY	WSC-20	RPP4
							Grey	Motion Sensor 9-20' Mounting Height	For 4"Ø Pole Round Pole Plate Adaptor
							SL	WSC-40	RPP5
							Silver Metallic	Motion Sensor 21-40' Mounting Height	For 5"Ø Pole Round Pole Plate Adaptor
							CC		ROT-R
							Custom Color		Rotated Optics Right Side
									ROT-L
									Rotated Optics Left Side
									AWP
									Aria Wall Plate
									ACB
									Aria Conduit Box
									LS
									Light Shield

Housing

Die cast aluminum fixture housing is 20" diameter with integral tool-less push latch sealing mechanism.

Door Frame and Lens

Die cast aluminum door frame incorporates two one-piece silicone channel gaskets to seal the housing and arm completely. Opening the hinged door frame allows for direct access to the lamp and driver. The door frame includes an aircraft cable support to hold it securely while servicing the fixture.

Thermal Management

The Aria provides excellent overall thermal management by maximizing the efficiency of the heat sink in the fixture (see Interior View). This enables the Aria to withstand higher ambient temperatures and higher drive currents without degrading LED life. The L70 test determines the point in an LED's life when it reaches 70 percent of its initial output. Aria series LEDs have been determined to last a minimum of 100,000 hours in 25° C environments when driven at 350 mA. See LED Data Chart below for actual test results.

Optical System

The highest lumen output are utilized in the Aria series. IES Types 1, 2, 3, 4, 5 and 5W distributions are standard. The LED light assemblies are available in 42 or 84 LED configurations. The optical system qualifies as IES full cutoff to restrict light trespass, glare and light pollution. 590 nm diode supplied as standard.

Quali-Guard® Finish

Fixture components are chemically pretreated through a multiple-stage washer, and finished with an electrostatically-applied, thermoset polyester powder coat textured paint with a 3 to 5 mils thickness. Finish is oven-baked at 400° F for maximum adherence and finish hardness. Available in standard and custom colors. Finish is guaranteed for five (5) years.

Mounting

Post Top Mount: The cast aluminum post top mount fitter houses the driver assembly. The contractor-friendly mounting hardware is concealed inside the post top fitter; which slips over a 3" O.D. x 4" tall tenon with a special threaded mounting plate, and is secured by a high-strength bolt.

Arm Mount: The fixture mounts directly to the pole by means of three stainless steel mounting bolts attaching to an in-pole nut plate, to ensure level installation.

A Round Pole Plate Adaptor (RPP-4/5) is required for mounting to 4" or 5" round poles.

Cast wall mount plate predrilled for easy mounting

Electrical Assembly

- The Aria is supplied with a choice of 350 or 530 mA high-performance LED drivers that accept 120 V thru 480 V, 50 Hz to 60 Hz, input.
- Power factor of 90%.
- Rated for -40° C operations.
- 10 kV surge protector supplied as standard.

Warranty

Five (5) year Limited Warranty on entire system, including finish. For full warranty information, please visit VisionaireLighting.com.

Options

- Photocell & receptacle
- Painted bars for post top mount
- Photo receptacle
- Round pole plate adaptor
- Button type photocell
- Aria wall plate
- Aria conduit box
- 0-10 V dimming driver
- WattStopper FSP-211 Motion Sensor

Please consult factory for custom options.

Listings

- Aria is ETL listed, suitable for wet locations.
- LM79
- LM80
- IP65 Rated
- RoHS compliant
- Powder Coated Tough™

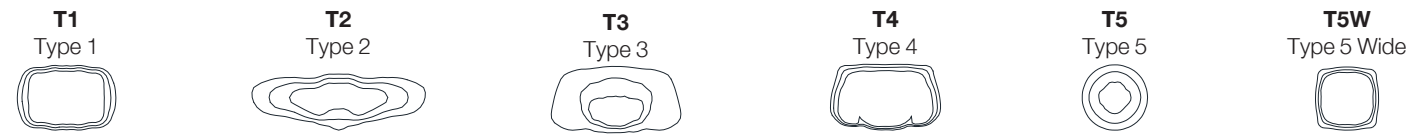


Motion Sensor Default Setting									
Type	High Mode	Low Mode	Time Delay	Cut off Delay	Sensitivity	Hold Off Setpoint	Photocell On/Off	Ramp Up Time	Fade Down Time
WSC - Default	10V	1V	5 Min	1 Hour	Max	Disabled	Disabled	Disabled	Disabled
WSC Range	0-10V	0-9.8V	5-30 Min	1-5 Hours	Low, Med, Max	1-250FC	1-250FC	1-60 Dec	1-60 Dec

ARIA-1 Turtle Safe LED Specifications

Photometric Optical Summary

Not all optics are available on all fixtures. Check ordering chart for availability



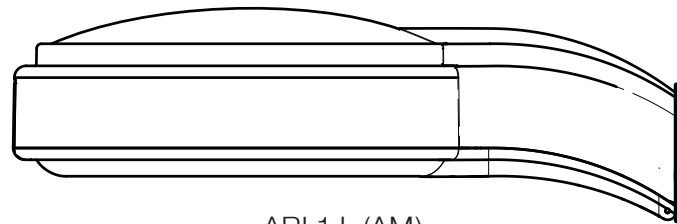
EPA Data	Fixture with Arm						
	ARI-1-L (AM)	1.2	2.2	2.5	2.7	2.6	2.7
	ARI-1-L (PT)	1.8	3.6	3.6	5.3	5.3	5.3

Dimensions AM

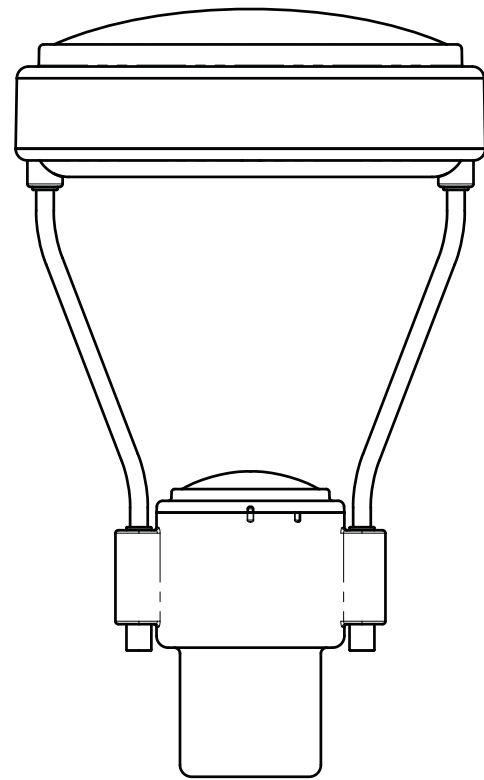
Width:	ARI-1 20"
Height:	ARI-1 7.25"
Depth:	ARI-1 28.25"
Weight:	41 LBS

Dimensions PT

Width:	ARI-1 20"
Height:	ARI-1 29.75"
Weight:	41.5 LBS



ARI-1-L (AM)

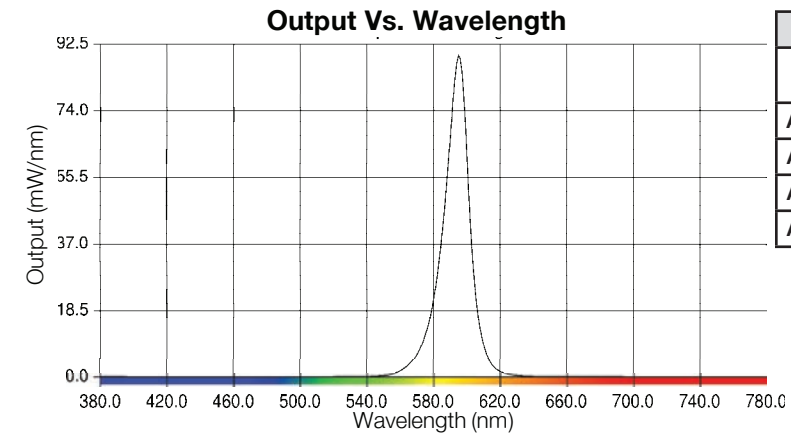


ARI-1-L (PT)

ARIA-1 Wildlife Certified TS (590 nm) LUMEN DATA								
# LEDs	Current (mA)	T1	T2	T3	T4	T5	T5W	Watts
42	350	1083	992	883	942	952	952	46
	530	1545	1416	1260	1344	1359	1359	68
84	350	2142	1962	1747	1863	1884	1884	92
	530	3032	2778	2473	2637	2667	2667	136

ARIA-1 Wildlife Certified TS (590 nm) LPW DATA								
# LEDs	Current (mA)	T1	T2	T3	T4	T5	T5W	Watts
42	350	24	22	19	20	21	21	46
	530	23	21	19	20	20	20	68
84	350	23	21	19	20	20	20	92
	530	22	20	18	19	20	20	136

ARIA-1 Wildlife Certified TS (590 nm) BUG DATA																				
# LEDs	Current (mA)	T1			T2			T3			T4			T5			Watts			
		B	U	G	B	U	G	B	U	G	B	U	G	B	U	G				
42	350	1	0	1	0	0	1	0	0	1	0	0	1	1	0	0	1	0	1	46
	530	1	0	1	1	0	1	0	0	1	0	0	1	1	0	0	1	0	1	68
84	350	1	0	1	1	0	1	0	0	1	1	0	1	1	0	1	1	0	1	92
	530	2	0	2	1	0	1	1	0	1	1	0	1	1	0	1	2	0	1	136



ARIA Turtle Safe - ELECTRICAL LOAD (A)							
Ordering Nomenclature	System Watts	120	208	240	277	347	480
ARI-I-L-T5W-42LC-3	46	0.38	0.22	0.19	0.17	0.13	0.10
ARI-I-L-T5W-42LC-5	68	0.57	0.33	0.28	0.25	0.20	0.14
ARI-I-L-T5W-84LC-3	92	0.77	0.44	0.38	0.33	0.27	0.19
ARI-I-L-T5W-84LC-5	136	1.13	0.65	0.57	0.49	0.39	0.28



RLX



Roadway LX



Project Name: _____

Catalog Number: _____

Type: _____

The new **Roadway LX** series improves on the classic "Cobrahead" luminaire design by introducing the next generation of LED green technology with energy savings of up to fifty percent over traditional light sources, and LED lamp life well beyond 10 years of operations. The Roadway LX housing and door are die cast aluminum with integral heat sink, making the entire housing part of the thermal management solution for long life of the LEDs and driver(s). The fixture is easily and securely mounted with four bolt mounting to 1 1/4" to 2 3/8" diameter mast arms and supplied with a terminal block for easy power connection and a universal bubble level for ease of leveling.

A 10 kV surge protector is supplied as standard. Maintenance, when required, is tool-less; with stainless steel pinch latches; accessing a removable power tray door holding the LED driver. LEDs and driver compartment are both IP65 rated.

Choose from 32 to 80 LEDs with multiple drive currents of 350 or 530, mA; 590 nm diode supplied as standard and seven (7) optical distribution patterns for complete design flexibility for street and roadway lighting.

Consider the **Roadway LX** series, the new standard for roadway and street lighting, bringing LED technology with long life and low maintenance to your world.

Ordering Information

MODEL	OPTICS	LEDs	CURRENT	KELVIN	VOLTAGE	MOUNTING	FINISH	OPTIONS	OPTIONS
RLX-1	T1	32LC	3 350mA	TS 590 nm	UNV 120-277V	MAF Mast Arm Fitter	BZ Bronze	PCR-120 Photocell & Receptacle	WSC-8 Motion Sensor 8' Mounting Height
	T2	48LC	5 530mA		8 347V	KM Knuckle Mount	BK Black	PCR-208 Photocell & Receptacle	WSC-20 Motion Sensor 9-20' Mounting Height
	T3	64LC			5 480V	BOA Bolt-On Arm	SBK Smooth Black	PCR-240 Photocell & Receptacle	WSC-40 Motion Sensor 21-40' Mounting Height
	T4	80LC					WH White	PCR-277 Photocell & Receptacle	DIM 0-10v Dimming Driver
	T4A						SWH Smooth White	PCR-480 Photocell & Receptacle	VWC Wireless Controls Consult Factory
	T5						GP Graphite	PER 3 Pin Photo Receptacle w/shorting cap	ROT-R Rotated Optics Right Side
	T5W						GY Grey	5PINPER 5 Pin Photo Receptacle w/shorting cap Requires Dimming Driver	ROT-L Rotated Optics Left Side
	T5WR						SL Silver Metallic	7PINPER 7 Pin Photo Receptacle w/shorting cap Requires Dimming Driver	LS Light Shield
							CC Custom Color		

Housing

- The Roadway LX housing is constructed from durable, corrosion resistant, die cast aluminum. The integral heat sink is cast as part of the fixture housing.
- The electrical compartment is separated from the LED array/heat sink structure, and sealed allowing for IP 65 rating of the complete fixture.
- A molded silicone grommet seals the incoming power leads.
- Supplied with a bubble level for ease of mounting alignment, and a terminal block for easy power connection.

Door Assembly

- The removable die cast aluminum door assembly is sealed with a one-piece silicone gasket. Access to the electrical compartment is tool-less, with sealed, stainless steel pinch latches, making the Roadway LX very user friendly.
- The LED driver(s) are mounted directly to the door assembly, and supplied with quick disconnects for ease of installation and maintenance.

Thermal Management

- The housing includes the integral heat sink making the entire housing part of the thermal management solution.
- The Roadway LX is suitable for higher ambient temperatures and drive currents without degrading lamp life.

Optical System

- The highest lumen output field-changeable LEDs are utilized in the Roadway LX series.
- The Type 3 injection molded Roadway optic is designed specifically for roadway applications.
- Additional distribution types include Types I, II, III, IV IVA, V and VW.
- The optical system qualifies at IES full cutoff to restrict light trespass, glare and light pollution for neighborhood friendly lighting.
- Roadway LX fixture is tested in accordance with IESNA LM-79 testing procedures.
- 590 nm diode supplied as standard.

Quali-Guard Finish

- Fixture components are chemically pretreated through a multi stage wash system. The finish is an electrostatically applied, thermoset super polyester powder coat paint which is oven-baked at 400 °F for maximum adherence and finish hardness.
- Available in Silver Metallic finish and custom colors.
- The finish is guaranteed for five (5) years.

Mounting

- The Roadway LX mounts directly to roadway mast arms and tenons with an outside diameter ranging from 1 1/4" to 2 3/8" and is adjustable in three incremental positions (0°, 2 1/2° and 5°).
- An internal four-bolt clamp bracket attaches the fixture securely to the mounting arm with four stainless steel bolts.
- Also available is a Knuckle Mount that fits over a 2 3/8" tenon and a Bolt-On Arm.

Electrical Assembly

- The Roadway LX Series is supplied with a choice of 350 or 530 mA high-performance LED drivers that accept 120 V thru 480 V, 50 Hz to 60 Hz, input.
- Power factor of 95%.
- Rated for -40 °C operations.
- 10 kV surge protector supplied as standard.

Warranty

Five (5) year Limited Warranty on entire system including the paint finish and LED components. For complete Limited Warranty information please visit VisionaireLighting.com.

Options

- Photocell & Receptacle
- Photocell receptacle
- Utility wattage label
- Dimming/Controls
- 0-10 V dimming driver

Listings

- Roadway LX Series is ETL listed, suitable for wet locations.
- LM79 and LM80
- Meets ANSI C136.31-2001 vibration standards.
- RoHS compliant
- IP65 Rated
- Powder Coated Tough™
- IDA Certification
- Turtle Safe
- Certified Wildlife Lighting

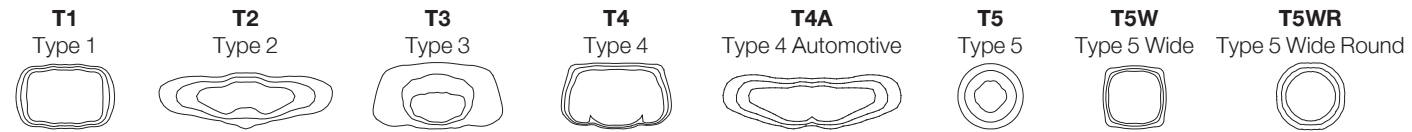


The Wildlife Lighting Program was developed by the Department of the Interior's U.S. Fish and Wildlife Service and the Florida Fish and Wildlife Conservation Commission to address light pollution issues in ecologically sensitive areas while ensuring human safety and security.



Motion Sensor Default Setting									
Type	High Mode	Low Mode	Time Delay	Cut off Delay	Sensitivity	Hold Off Setpoint	Photocell On/Off	Ramp Up Time	Fade Down Time
WSC - Default	10V	1V	5 Min	1 Hour	Max	Disabled	Disabled	Disabled	Disabled
WSC Range	0-10V	0-9.8V	5-30 Min	1-5 Hours	Low, Med, Max	1-250FC	1-250FC	1-60 Dec	1-60 Dec

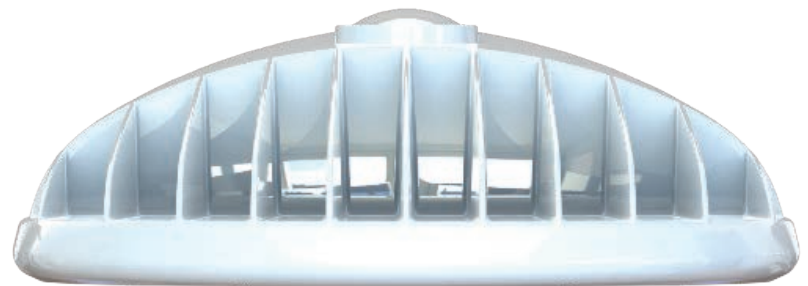
Photometric Optical Summary



EPA Data	T1	T2	T3	T4
	.85	1.7	2.1	2.1

Dimensions

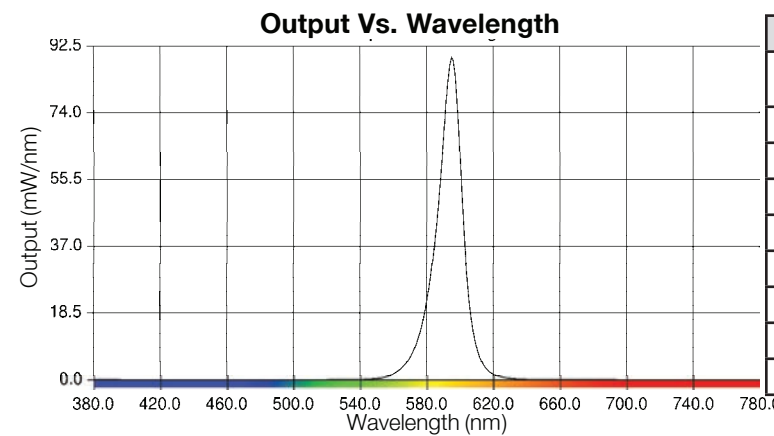
Width:	RLX-1 14"
Height:	RLX-1 4"
Depth:	RLX-1 31"
Weight:	31 LBS



RLX-1 Wildlife Certified TS (590 nm) LUMEN DATA										
# LEDs	Current (mA)	T1	T2	T3	T4	T4A	T5	T5W	T5WR	Watts
32	350	1039	984	985	935	1043	1030	1002	1017	34
	530	1539	1458	1458	1385	1544	1526	1484	1506	53
48	350	1547	1466	1466	1393	1553	1534	1492	1515	51
	530	2208	2092	2093	1988	2216	2189	2129	2161	80
64	350	2041	1934	1934	1837	2048	2023	1968	1998	70
	530	2889	2737	2738	2601	2899	2864	2784	2826	107
80	350	2464	2335	2335	2218	2473	2443	2376	2412	85
	530	3531	3345	3346	3178	3543	3500	3405	3456	133

RLX-1 Wildlife Certified TS (590 nm) LPW DATA										
# LEDs	Current (mA)	T1	T2	T3	T4	T4A	T5	T5W	T5WR	Watts
32	350	31	29	29	28	31	30	29	30	34
	530	29	28	28	26	29	29	28	28	53
48	350	30	29	29	27	30	30	29	30	51
	530	28	26	26	25	28	27	27	27	80
64	350	29	28	28	26	29	29	28	29	70
	530	27	26	26	24	27	27	26	26	107
80	350	29	27	27	26	29	29	28	28	85
	530	27	25	25	24	27	26	26	26	133

RLX-1 Wildlife Certified TS (590 nm) BUG DATA																										
# LEDs	Current (mA)	T1			T2			T3			T4			T4A			T5			T5W			T5WR			Watts
		B	U	G	B	U	G	B	U	G	B	U	G	B	U	G	B	U	G	B	U	G				
32	350	1	0	1	0	0	1	0	0	1	0	0	1	0	0	0	1	0	0	1	0	0	1	0	0	34
	530	1	0	1	0	0	1	0	0	1	0	0	1	0	0	1	1	0	0	1	0	0	1	0	0	53
48	350	1	0	1	1	0	1	0	0	1	0	0	1	0	0	1	1	0	0	1	0	0	1	0	0	51
	530	1	0	1	1	0	1	0	0	1	0	0	1	0	0	1	1	0	0	1	0	0	1	0	0	80
64	350	1	0	1	1	0	1	0	0	1	1	0	1	1	0	1	1	0	0	1	0	0	1	0	0	70
	530	1	0	1	1	0	1	1	0	1	1	0	1	1	0	1	1	0	1	2	0	1	2	0	1	107
80	350	1	0	1	1	0	1	1	0	1	1	0	1	1	0	1	1	0	1	2	0	1	2	0	1	85
	530	2	0	1	1	0	1	1	0	1	1	0	1	1	0	1	2	0	1	2	0	1	2	0	1	133



RLX-1 Wildlife Certified - ELECTRICAL LOAD (A)							
Ordering Nomenclature	System Watts	120	208	240	277	347	480
RLX-1-T5W-32LC-3	34	0.28	0.16	0.14	0.12	0.10	0.07
RLX-1-T5W-32LC-5	53	0.44	0.25	0.22	0.19	0.15	0.11
RLX-1-T5W-48LC-3	51	0.43	0.25	0.21	0.18	0.15	0.11
RLX-1-T5W-48LC-5	80	0.67	0.38	0.33	0.29	0.23	0.17
RLX-1-T5W-64LC-3	70	0.58	0.34	0.29	0.25	0.20	0.15
RLX-1-T5W-64LC-5	107	0.89	0.51	0.45	0.39	0.31	0.22
RLX-1-T5W-80LC-3	85	0.71	0.41	0.35	0.31	0.24	0.18
RLX-1-T5W-80LC-5	133	1.11	0.64	0.55	0.48	0.38	0.28



Endurascape
EDS-1B HZG

Endurascape
EDS-1A COG

OceanWalk
OWK-2 COG



Bollards

OCEANWALK Round Bollard Turtle Safe LED Specifications






Project Name: _____

Catalog Number: _____

Type: _____

The **OceanWalk - Round LED** series of architectural bollards combines contemporary styling with durable, vandal-resistant construction and smooth, low-level, 360-degree symmetrical illumination with available cutoff optics; and is an excellent choice for walkways, entrances, promenades, plazas, courtyards, driveways and landscaped areas.

Ordering Information

MODEL	OPTICS	SIZE	SOURCE	CURRENT	KELVIN	VOLTAGE	MOUNTING	FINISH	OPTIONS
OWK-1 Round Flat Top	COG 45° Cutoff Grill	8R36 8" Round Height 36"	20LC	3 350mA	TS (590 nm)	UNV 120-277V	AB Anchor Base Anchor Bolt Kit Supplied	BZ Bronze	ILS Internal Light Shield For COG only
OWK-2 Round Dome Top		8R42 8" Round Height 42"		5 530mA				BK Black	VRB Vandal-Resistant Base
	PR Paracrine Reflector							SBK Smooth Black	
								WH White	
	SLR Stack Louver Reflector							SWH Smooth White	
								GP Graphite	
								GY Grey	
								SL Silver Metallic	
								CC Custom Color	

Features & Specifications

OCEANWALK Round Bollard Turtle Safe

Housing

- 8" diameter extruded aluminum housing. Heavy-duty cast aluminum base plate concealed within shaft is designed for standard anchor bolt mounting to a concrete base. 3/8" x 12" galvanized Anchor bolts. • Optional Vandal-Resistant Base available for 8" model.

Thermal Management

- The OceanWalk Bollard Series provides excellent overall thermal management by maximizing the fixture's heat sink capabilities. This enables the OceanWalk Bollard Series to withstand higher ambient temperatures and drive currents without degrading LED life.
- The OceanWalk Bollard Series has a very low thermal resistance rating.
- The L70 test determines the point in an LEDs life when it reaches 70 percent of its initial output.
- The OceanWalk Bollard Series LEDs have been determined to last a minimum of 100,000+ hours in 25° C environments when driven at 175 mA.

Optical System

- The highest lumen output LEDs are utilized in the OceanWalk Bollard Series.
- Choice of specular aluminum paracrine reflector, Aluminum stack louver, or 45° cutoff grill provides Type V symmetrical light distribution.
- LED light assemblies come in 20 LEDs.
- 590 nm diode supplied as standard.

Lens

Clear, high-impact-resistant acrylic, with silicone gasketing for a weather-tight seal. An internal light shield is available.

Quali-Guard® Finish

- The finish is a Quali-Guard® textured, chemically pretreated through a multiple-stage washer, electrostatically applied, thermoset polyester powder coat finish, with a minimum of 3-5 mil thickness. Finish is oven-baked at 400° F to promote maximum adherence and finish hardness.
- All finishes are available in standard and custom colors.
- Finish is guaranteed for five (5) years.

Mounting

The OceanWalk Bollard Luminaire is easily mounted with anchor bolt kit.

Electrical Assembly

- The OceanWalk Bollard Series is supplied with a choice of 350 or 530 mA high-performance LED drivers that accept 120v 50 Hz to 60 Hz, input.
- 40° to 40° C operating temperature.
- 10 kV surge protector supplied as standard.

Warranty

Five (5) year Limited Warranty on entire system, including finish. For full warranty information, please visit VisionaireLighting.com.

Options

- Internal Light Shield
- Vandal Resistant Base

Listings

- The OceanWalk Bollard is cUL Listed, suitable for wet locations.
- Powder Coated Tough™
- IDA Certification
- Turtle Safe



OCEANWALK Round Bollard Turtle Safe LED Specifications

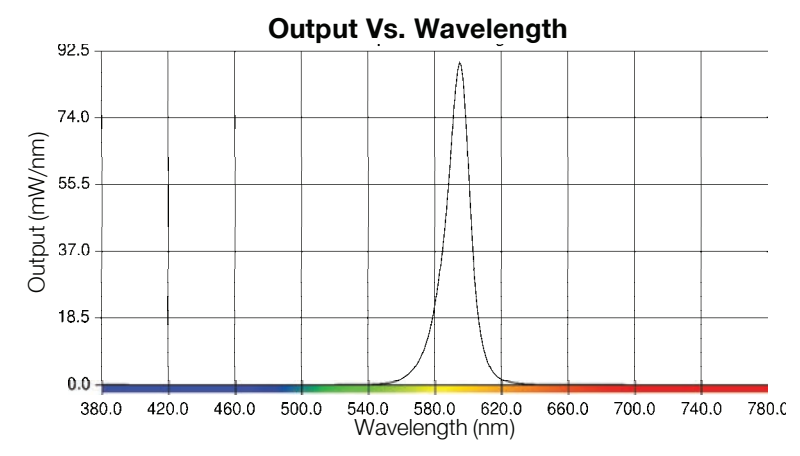
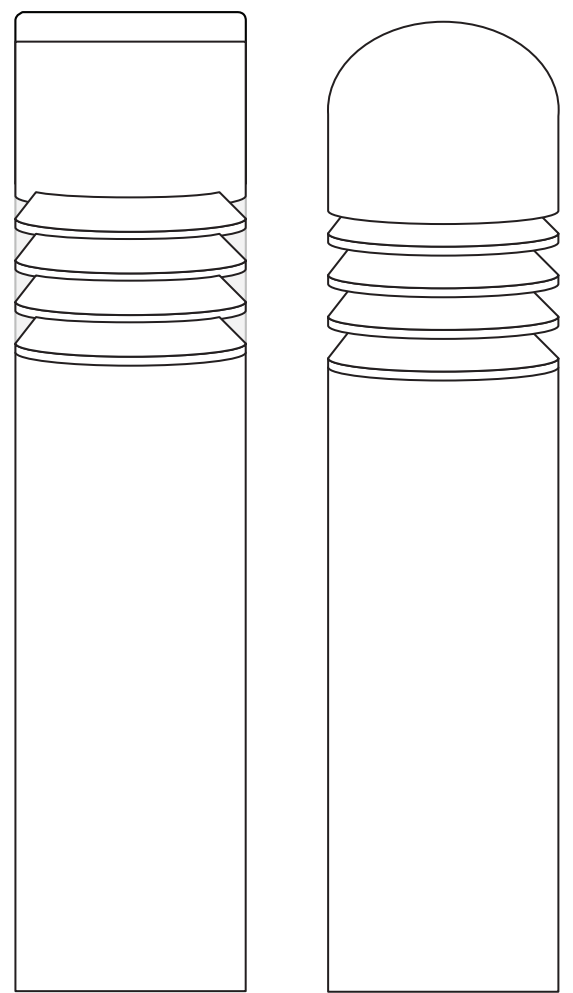
Photometric Optical Summary

Not all optics are available on all fixtures. Check ordering chart for availability



Dimensions

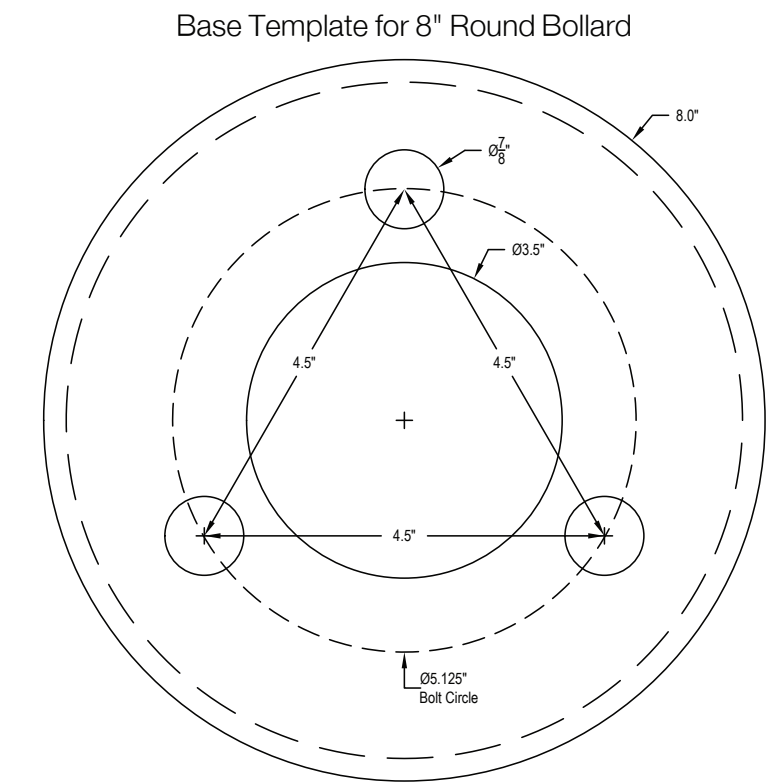
OWK-1		OWK-2	
Width:	OWK-1 8"	Width:	OWK-2 8"
Height:	OWK-1 36"/42"	Height:	OWK-2 36"/42"
Weight:	OWK-1 38 lbs	Weight:	OWK-2 38 lbs



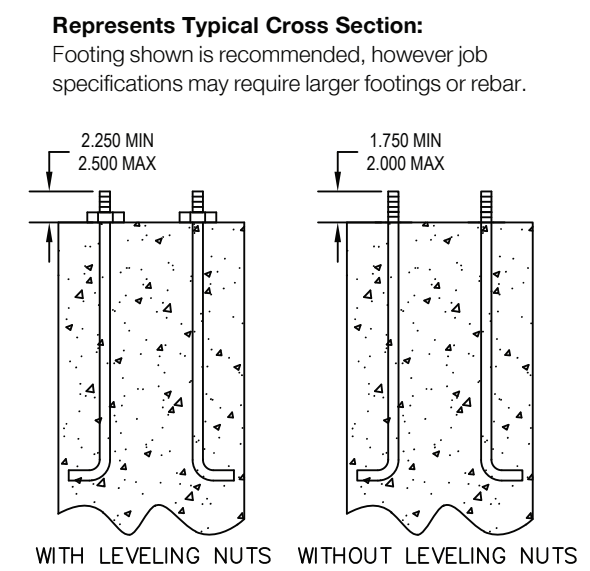
OWK Turtle Safe LUMEN DATA											
# LEDs	Current mA	COG	PR	SLR	Watts						
20	350	228	372	240	22						
	530	356	581	376	34						
OWK Turtle Safe LPW DATA											
# LEDs	Current mA	COG	PR	SLR	Watts						
20	350	10	17	11	22						
	530	10	17	11	34						
OWK Turtle Safe BUG DATA											
# LEDs	Current mA	COG			PR			SLR			Watts
		B	U	G	B	U	G	B	U	G	
20	350	0	2	0	0	2	0	0	2	0	22
	530	0	2	1	1	2	0	0	2	0	34

OWK Wildlife Certified - ELECTRICAL LOAD (A)							
Ordering Nomenclature	System Watts	120	208	240	277	347	480
OWK-1-8R42-COG-3	22	0.18	0.11	0.09	0.08	0.06	0.05
OWK-1-8R42-COG-5	34	0.28	0.16	0.14	0.12	0.10	0.07

Base Detail



NOT TO SCALE



ENDURASCAPE Bollard Turtle Safe LED Specifications



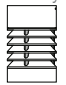
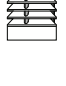


Project Name: _____

Catalog Number: _____

Type: _____

The **Endurascape** series of concrete bollards are designed to enhance and blend with architectural and natural landscapes. Beautifully crafted with textured finishes in a variety of shapes and cast grill louver designs. Optics provide smooth, 360-degree symmetrical low level illumination. 590 nm diode supplied as standard. Durably built for weather and vandal resistance. Ideal for walkways, entrances, promenades, plazas, courtyards, driveways, bridges and landscaped areas.

Ordering Information

MODEL	OPTICS	SOURCE	CURRENT	KELVIN	VOLTAGE	MOUNTING	FINISH	OPTIONS
EDS-1A 8" Round	COG 45° Cutoff Grill 8" Only	20LC	3 350mA	TS (590 nm)	UNV 120-277V	AB Anchor Base Consult Factory	<u>Louver Colors</u>	ILS Internal Light Shield
EDS-1B 11" Round			5 530mA				BZ Bronze	
EDS-2 11" Round Flat Top							BK Black	
EDS-3A 11" Square	COG 45° Cutoff Grill 11" Only						WH White	
EDS-4A 11" Square Pyramid Top							FG Forest Green	
	HZG Horizontal Grill 11" Only						GY Grey	
							SL Silver Metallic	
							CC Custom Color	
							<u>Concrete Textures</u>	
							LT Light	
							MD Medium	
							HV Heavy	

Features & Specifications ENDURASCAPE Bollard Turtle Safe

Housing

- Steel-reinforced pre-cast hollow core concrete in round or square shapes, four top styles and three textured finishes.
- Rugged cast aluminum grill louvers with 45° cutoff or horizontal cutoff.

Thermal Management

- The Endurascape Bollard Series provides excellent overall thermal management by maximizing the fixture's heat sink capabilities. This enables the Endurascape Bollard Series to withstand higher ambient temperatures and drive currents without degrading LED life.
- The Endurascape Bollard Series has a very low thermal resistance rating.
- The L70 test determines the point in an LEDs life when it reaches 70 percent of its initial output.
- The Endurascape Bollard Series LEDs have been determined to last a minimum of 100,000+ hours in 25° C environments when driven at 175 mA.

Optical System

- Uniform Type V symmetrical light distribution.
- Optional internal light shield for Type III distribution.
- The highest lumen output LEDs are utilized in the Endurascape Bollard Series. Aluminum stack louver, or 45° cutoff grill provides Type V symmetrical light distribution. LED light assemblies come in 20 LEDs.
- 590 nm diode supplied as standard.

Lens

Clear, high-impact-resistant acrylic, with silicone gasketing for a weather-tight seal. An optional internal light shield is available.

Quali-Guard® Finish

- The louver finish is a Quali-Guard® textured, chemically pretreated through a multiple-stage washer, electrostatically applied, thermoset polyester powder coat finish, with a minimum of 3-5 mil thickness. Finish is oven-baked at 400° F to promote maximum adherence and finish hardness.
- All finishes are available in standard and custom colors.
- Finish is guaranteed for five (5) years.

Mounting

The Endurascape Bollard Luminaire is easily mounted with anchor bolt kit.

Electrical Assembly

- The Endurascape Bollard Series is supplied with a choice of 350 or 530 mA high-performance LED drivers that accept 120v 50 Hz to 60 Hz, input.
- 40° to 40° C operating temperature.
- 10 kV surge protector supplied as standard.

Warranty

Five (5) year Limited Warranty on entire system, including finish. For full warranty information, please visit VisionaireLighting.com.

Options

- Internal Light Shield

Listings

- The Endurascape Bollard is cUL Listed, suitable for wet locations.
- Powder Coated Tough™
- IDA Certification
- Turtle Safe



ENDURASCAPE Bollard Turtle Safe LED Specifications

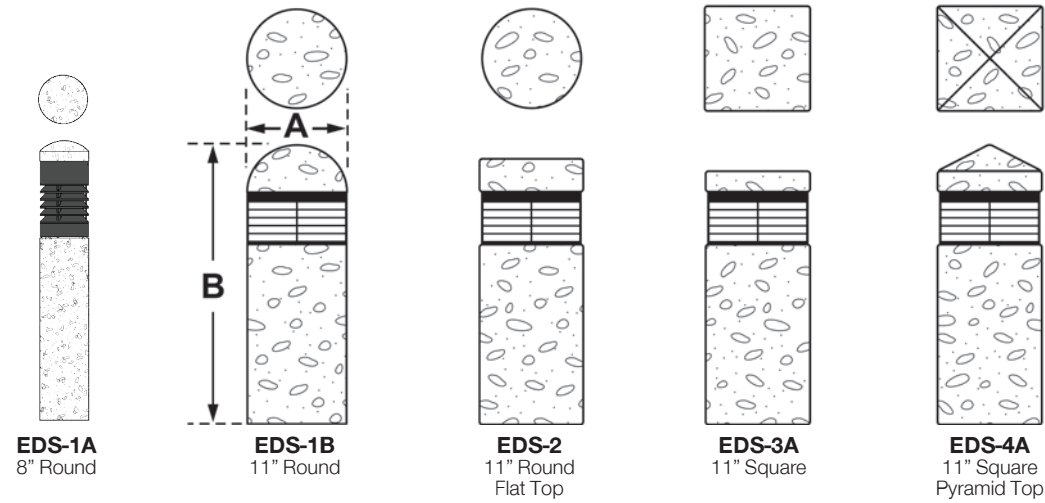
Photometric Optical Summary

Not all optics are available on all fixtures. Check ordering chart for availability



Dimensions

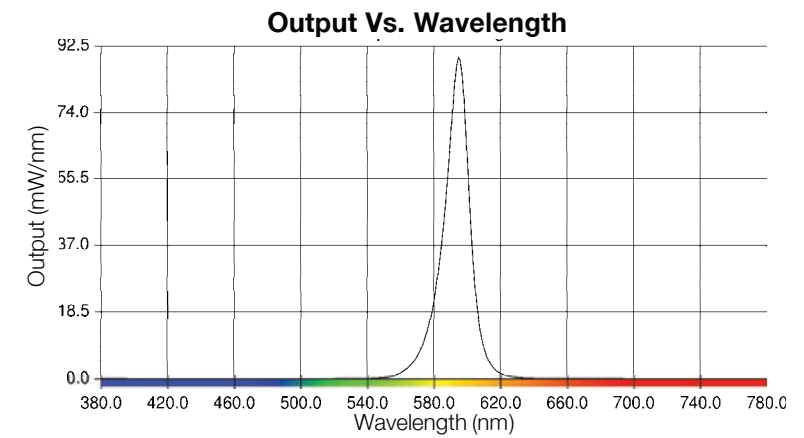
Model	EDS-1A	EDS-1B	EDS-2	EDS-3A	EDS-4A
Description	Round/ Round Top	Round/ Round Top	Round/ Flat Top	Square/ Flat Top	Square/ Pyramid Top
Width (A)	8"	11"	11"	11"	11"
Height (B)	43.5"	42.0"	40.25"	41.0"	43"
Weight	275	325	320	275	325



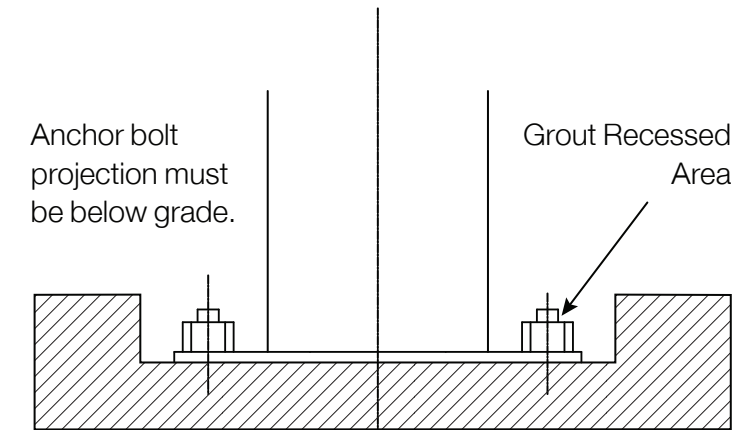
LED Specifications ENDURASCAPE Bollard Turtle Safe

EDS-1A Turtle Safe LUMEN DATA					
# LEDs	Current mA	EDS-1A	Watts		
20	350	185	20		
	530	296	32		
EDS-1A Turtle Safe LPW DATA					
20	350	9	20		
	530	9	32		
EDS-1A Turtle Safe BUG DATA					
# LEDs	Current mA	EDS-1A			Watts
		B	U	G	
20	350	0	2	0	20
	530	0	2	1	32

EDS Wildlife Certified - ELECTRICAL LOAD (A)							
Ordering Nomenclature	System Watts	120	208	240	277	347	480
EDS-1A-COG-20LC-3	20	0.17	0.10	0.08	0.07	0.06	0.04
EDS-1A-COG-20LC-5	32	0.27	0.15	0.13	0.12	0.09	0.07



Base Details





19645 Rancho Way, Rancho Dominguez, CA 90220
310.512.6480 · www.visionairelighting.com