

PRK Installation Instruction

BEFORE YOU BEGIN

- Read these instructions completely and carefully.
- Save these instructions for future use.



WARNING

- To avoid possible risk of fire or shock turn off power prior to installation or maintenance preferably at circuit breaker. Product must be installed following all NEC and local Electrical Codes.
- Verify that supply voltage is correct by comparing it with the luminaire label information.
- Installation and service of luminaires should be performed by a qualified licensed electrical.
- Maintenance of the luminaires should be performed by person familiar with the luminaire's construction and operation and any hazards involved.

UNPACKING

- This luminaire has been properly packaged so that no damage shall occur during transportation
- Inspect and confirm

MAINTENANCE

A regular maintenance schedule should be followed to retain optimal output and thermal performance. Optical lens cleaning should be performed with a clean dry cloth to remove any dust or other contaminants.



19645 Rancho Way • Rancho Dominguez, CA 90220 • 877. 977.LITE (5483)
www.visionairelighting.com

PRK Installation Instruction

CEILING MOUNT INSTALLATION

1. Remove the mounting plate by loosening the 10-32 head torx screw (fig. 1)
2. Install the quick mount plate onto a wet location junction box (supplied by others) using the hardware supplied. (fig. 2)
3. To hang, align the tabs from the junction box plate with the slots in the housing side mounting plate. (fig.3)

4. Connect luminaire wires to appropriate voltage supply-wires using proper sized connectors: supply-side ground wire to green luminaire lead; supply-side neutral wire to the white lead; supply-side line voltage to black luminaire lead.
5. Verify that wires are not being pinched and are tucked into junction box.
6. Lift the luminaire upwards mating the 2 plates and tighten the 10-32 head torx screw to 25 in-lbs. torque (fig.4)

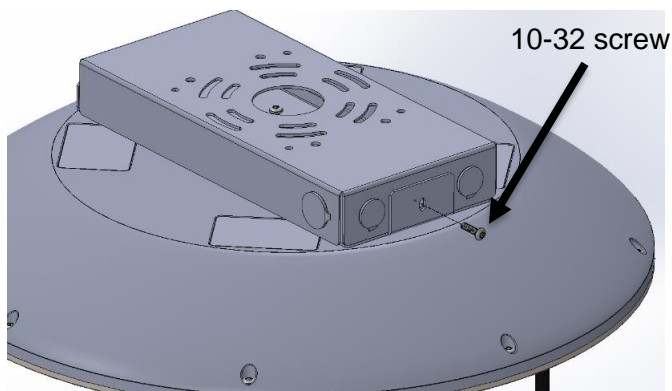


Figure 1.

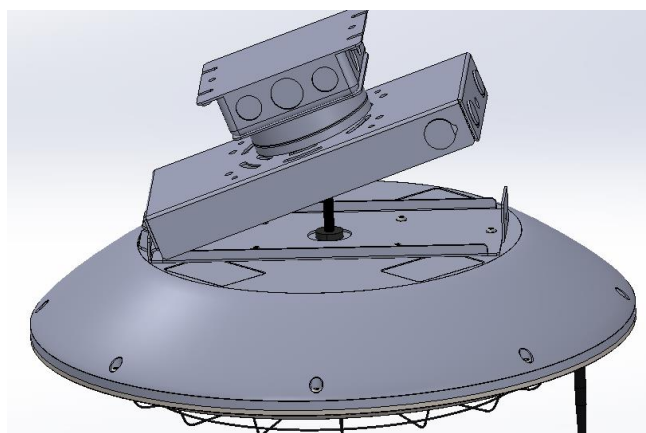


Figure 3.

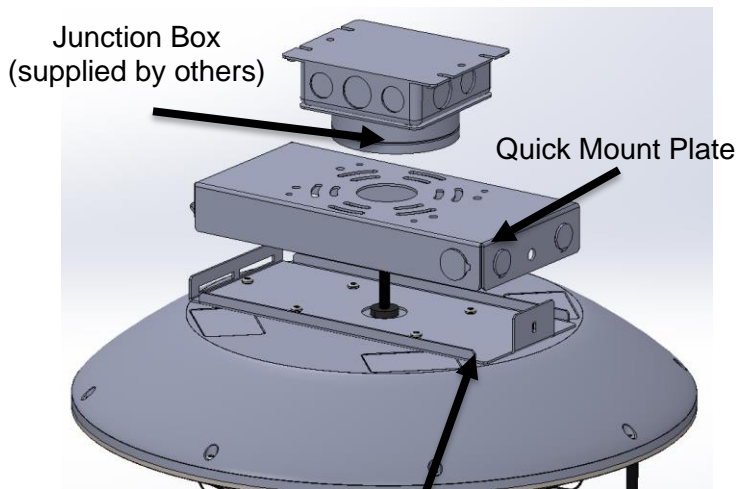


Figure 2.

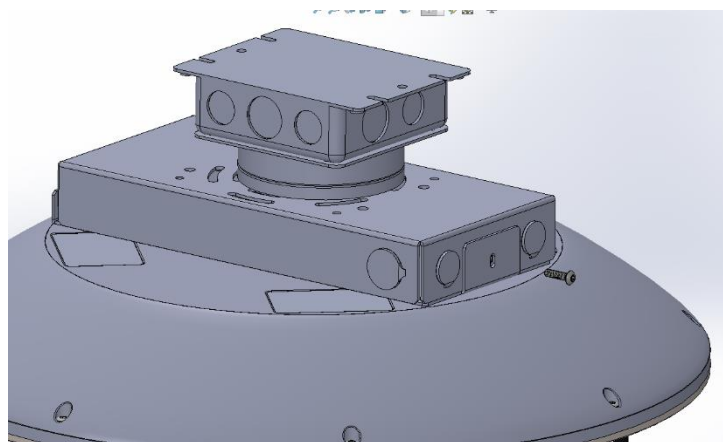


Figure 4.

Housing side
Mount Plate



PRK Installation Instruction

TRUNNION MOUNT INTALLATION

1. Attach the conduit body to the top of the luminaire and apply thread sealant (supplied by others) completely around external threads of the conduit and completely around the internal threads of the housing and $\frac{3}{4}$ nipple to seal and secure conduit body
2. Adjust yoke to the desired length by removing the 4 $\frac{1}{4}$ -20 hex head screw on the side of the yoke. After adjusting to the desired height, tighten the 4 screw and nuts with 30 in-lbs. torque. (fig.1)
3. Connect luminaire lead, supply-side neutral wire to the white luminaire lead; supply-side ground wire to green luminaire lead; supply-side line voltage to black luminaire lead

PENDANT MOUNT INSTALLATION

1. Apply thread sealant (supplied by others) completely around external threads of the conduit and completely around the internal threads of the housing.
2. Tighten top lock onto fixture mounting bracket and snug with wrench at least three full threaded are engaged. Feed wires through stem and make sure they extend out the top of the pendant.
3. Orient the luminaire per the light throw label and arrows.
4. Connect luminaire lead, supply-side neutral wire to the white luminaire lead; supply-side ground wire to green luminaire lead; supply-side line voltage to black luminaire lead.

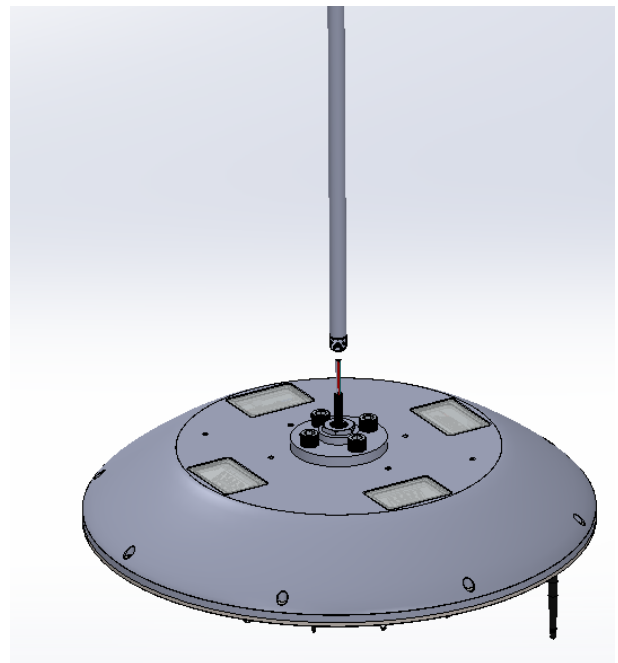
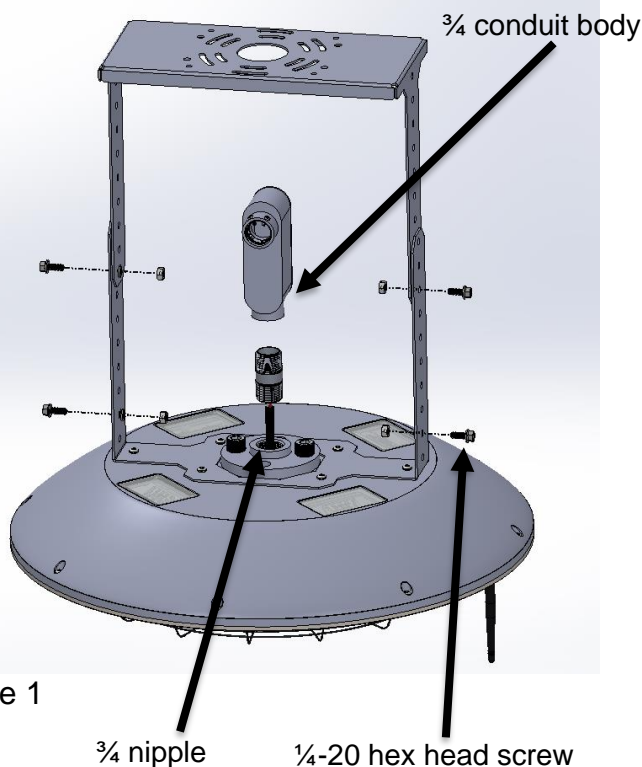


Figure 1



PRK Installation Instruction

LOW PROFILE MOUNT INSTALLATION

1. Remove the mounting plate by loosening the 10-32 head torx screw (fig. 1)
2. Install the quick mount plate onto a wet location junction box (supplied by others) using the hardware supplied. (fig. 2)
3. To hang, align the tabs from the junction box plate with the slots in the housing side mounting plate. (fig.3)

1. Connect luminaire wires to appropriate voltage supply-wires using proper sized connectors: supply-side ground wire to green luminaire lead; supply-side neutral wire to the white lead; supply-side line voltage to black luminaire lead.
2. Verify that wires are not being pinched and are tucked into junction box.
3. Lift the luminaire upwards mating the 2 plates and tighten the 10-32 head torx screw to 25 in-lbs. torque (fig.4)

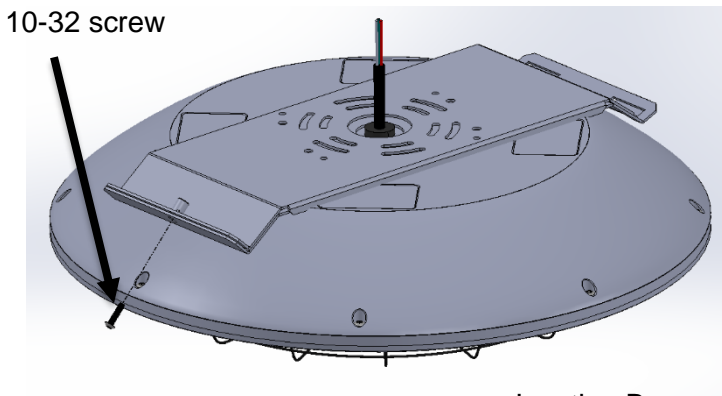


Figure 1.

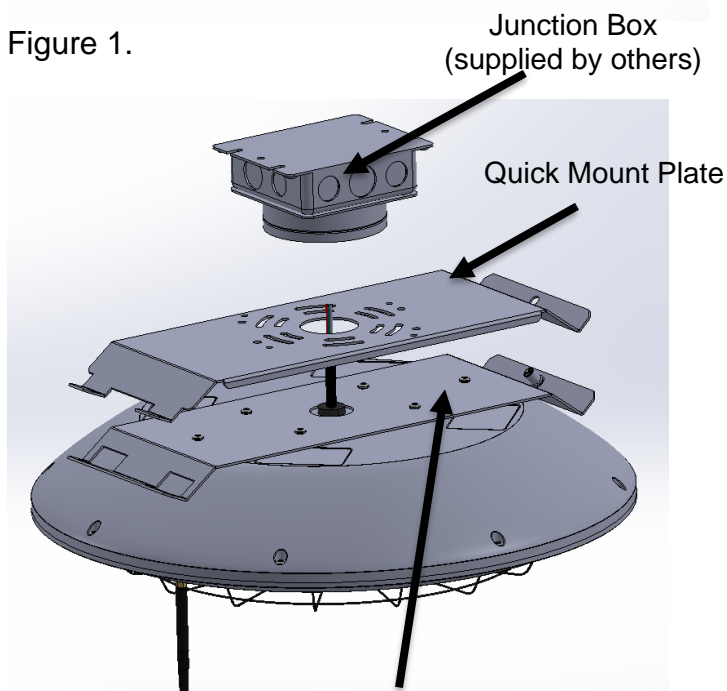


Figure 2.

Housing side
Mount Plate

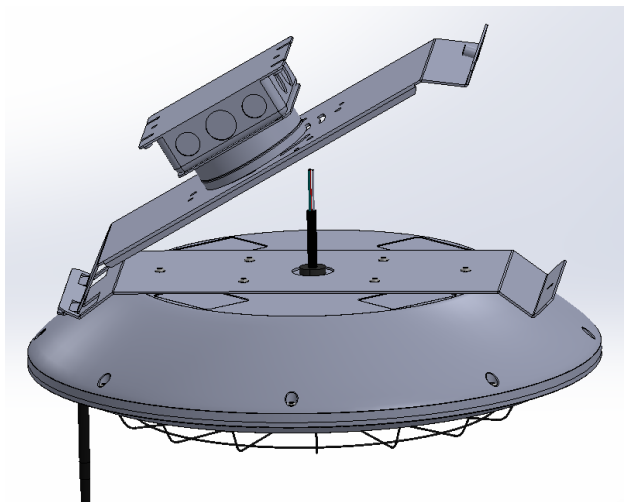


Figure 3

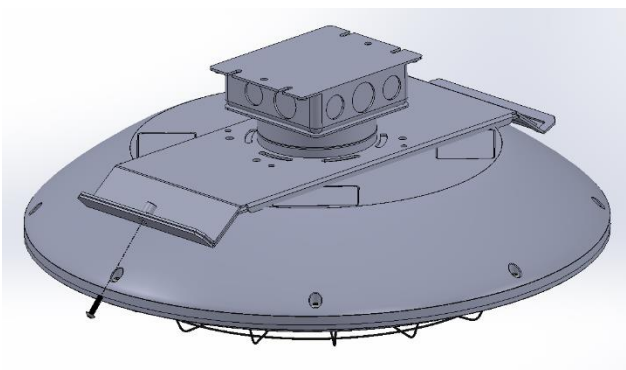


Figure 4.

