

LUSSO Sconce LED Specifications



Project Name:

Catalog Number:

Type:

The **Lusso Sconce LED** Series continues the unique contemporary design inspired by the sleek styling of the Lusso family. Separating the Driver(s) from the individual die-cast aluminum LED engines: optimize the life of the LEDs and the Driver(s); and maximizes the lumen output of the fixture.

Four optical distribution patterns are available. Choose between 3K, 4K or 5K Kelvin temperature of the LED's.

A durable polyester powdercoat finish is guaranteed for five years; and is available in standard or custom colors.

The **Lusso Sconce LED** Series is an exceptional choice for low level lighting applications.

Ordering Information

MODEL	OPTICS	SOURCE	CURRENT	KELVIN	VOLTAGE	MOUNTING	FINISH	OPTIONS
LSO-S	T1 Type 1	20LC	1 175mA	3K 3000K	UNV 120-277V	WM-PTS Wall Mount Post Top Single Arm	BK Black	PC-120 Button Type Photocell
	T2 Type 2		3 350mA	4K 4000K			SBK Smooth Black	PC-208 Button Type Photocell
	T3 Type 3		5 530mA	5K 5000K		WM-PTD Wall Mount Post Top Double Arm	BZ Bronze	PC-240 Button Type Photocell
	T4 Type 4		7 700mA				GP Graphite	PC-277 Button Type Photocell
							GY Grey	DIM 0-10v Dimming Driver
							SL Silver Metallic	LDL Lightly Diffused Lens
							WH White	HDL High Diffused Lens
							SWH Smooth White	
							FG Forest Green	
							VD Verdigris Green	
							CC Custom Color	

Features & Specifications

LUSSO Sconce

Housing

The Lusso Sconce consists of a durable, cast aluminum housing and lens door frame.

Driver Compartment

The driver housing is constructed of cast aluminum allowing for cooler operation and longer driver life. One-piece gasketing is utilized throughout the fixture for weather tight operation.

Thermal Management

- The Lusso Sconce Series provides excellent overall thermal management by maximizing the fixture's heat sink capabilities. This enables the Lusso Sconce Series to withstand higher ambient temperatures and drive currents without degrading LED life.
- The L70 test determines the point in an LEDs life when it reaches 70 percent of its initial output. The Lusso Sconce Series LEDs have been determined to last a minimum of 100,000 hours in 25°C environments when driven at 700 mA.

Optical System

- Serenity Lens is offered in two different diffusion levels, high and lightly diffused.
- The highest lumen output LEDs are utilized. High performance acrylic optics feature industry-leading Type 1, 2, 3 and 4 optical distributions. LED light assemblies come in 20 LEDs.
- The optical system qualifies as IES full cutoff to restrict light trespass, glare and light pollution.
- CRI values are 70.

Quali-Guard® Finish

- The finish is a Quali-Guard® textured, chemically pretreated through a multiple-stage washer, electrostatically applied, thermoset polyester powder coat finish, with a minimum of 3-5 millimeters thickness. Finish is oven-baked at 400 °F to promote maximum adherence and finish hardness.
- All finishes are available in standard and custom colors.
- Finish is guaranteed for five (5) years.

Electrical Assembly

- The Lusso Sconce Series is supplied with a choice of 175, 350, 530, 700 mA high-performance LED drivers, that accept 120v, 50 Hz to 60 Hz, input.
- Power factor of 90%.
- Rated for -40° to 55° C operations.
- 10 kV surge protector supplied as standard.

Warranty

- Five (5) year Limited Warranty on electrical components.
 - Five (5) year on finish.
- For full warranty information, please visit visionairelighting.com.

Options

- Photocell & Receptacle
- 0-10v Dimming Driver
- Lightly Diffused Lens
- High Diffused Lens

Listings

- Lusso Sconce Series is cUL listed, suitable for wet locations
- IP65 Rated
- Powder Coated Tough™
- IDA Certification



DesignLights Consortium (DLC) qualified Product. Some configurations of this product family may not be DesignLights Consortium (DLC) listed, please refer to the DLC qualified products list to confirm listed configurations. <http://www.designlights.org/>
3000K must be selected for IDA certification.

Ordering Nomenclature	System Watts	ELECTRICAL LOAD (A)					
		120	208	240	277	347	480
LSO-S-T3-20LC-1	13	0.11	0.06	0.05	0.05	0.04	0.03
LSO-S-T3-20LC-3	22	0.18	0.11	0.09	0.08	0.06	0.05
LSO-S-T3-20LC-5	34	0.28	0.16	0.14	0.12	0.10	0.07
LSO-S-T3-20LC-7	45	0.38	0.22	0.19	0.16	0.13	0.09

LUSSO Sconce LED Specifications

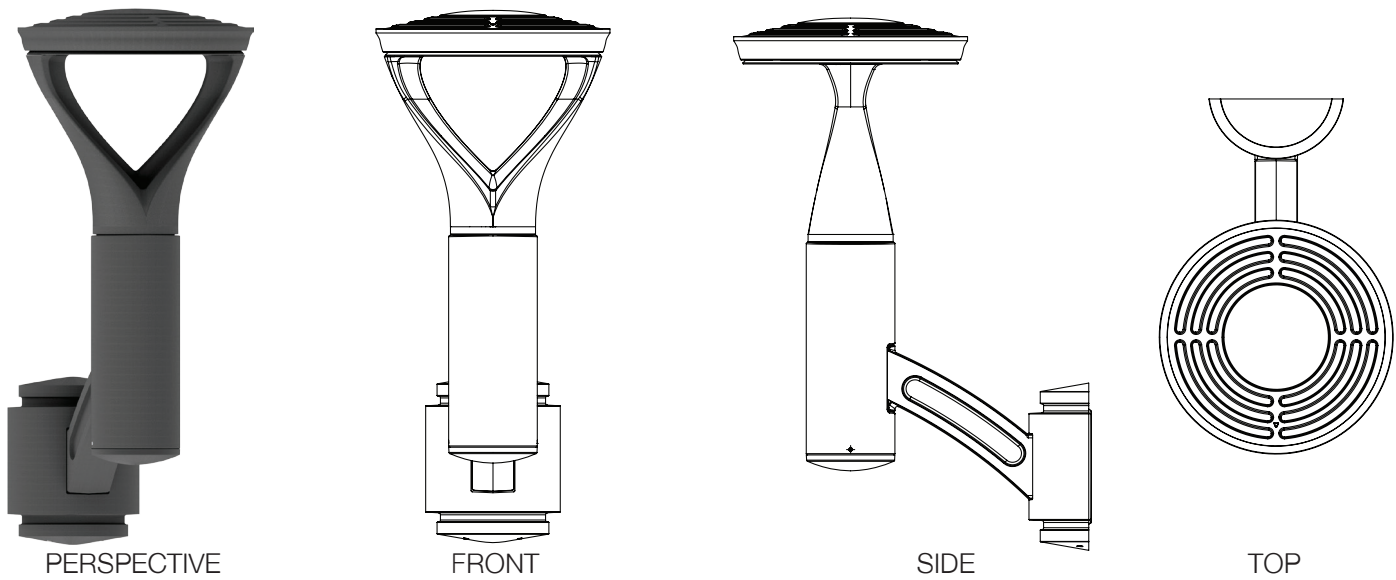
Photometric Optical Summary



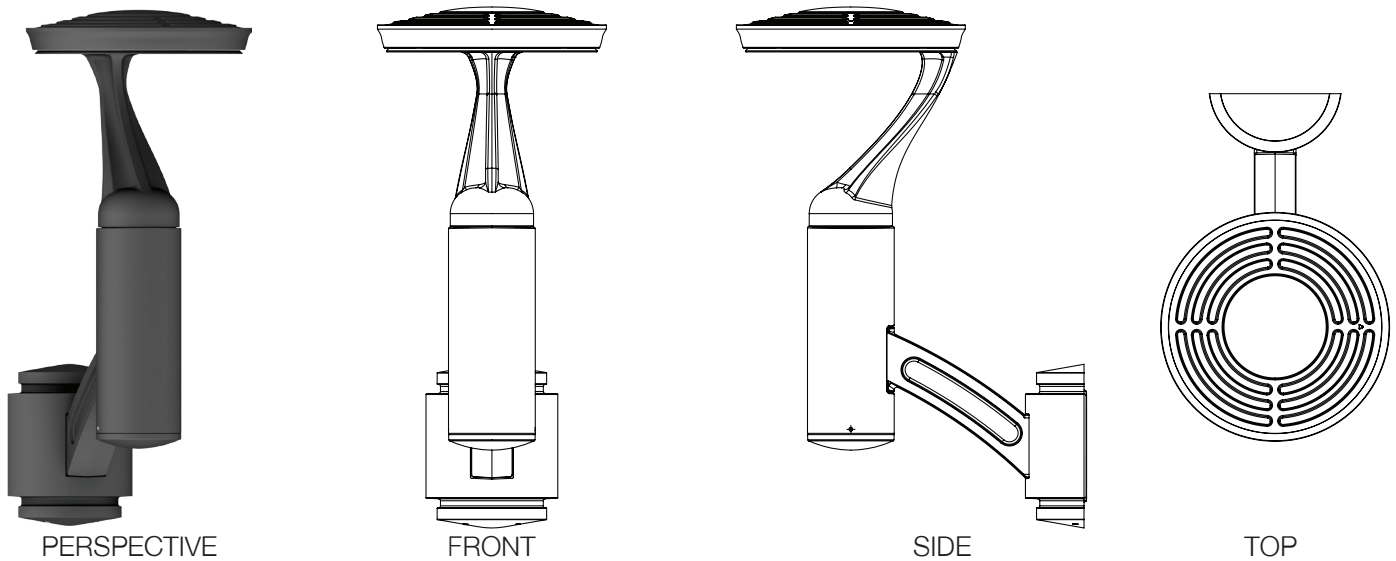
Dimensions

Width:	LSO-S 12"
Depth:	LSO-S 17"
Height:	LSO-S 24"
Weight:	LSO-S 14 lbs

Views LSO-S-PTD



Views LSO-S-PTS



3K LUMEN DATA														
# of LEDs	Current (mA)	T1			T2			T3			T4			Watts
20	175	1425			1321			1361			1274			13
	350	2463			2283			2352			2202			22
	530	3849			3568			3675			3441			34
	700	4763			4415			4548			4258			45
4K LUMEN DATA														
20	175	1500			1391			1432			1341			13
	350	2593			2404			2476			2318			22
	530	4052			3756			3869			3622			34
	700	5014			4648			4787			4482			45
5K LUMEN DATA														
20	175	1439			1334			1374			1287			13
	350	2488			2307			2376			2224			22
	530	3888			3604			3712			3460			34
	700	4811			4460			4594			4301			45
3K LPW DATA														
# of LEDs	Current (mA)	T1			T2			T3			T4			Watts
20	175	110			102			105			98			13
	350	112			104			107			100			22
	530	113			105			108			101			34
	700	106			98			101			95			45
4K LPW DATA														
20	175	115			107			110			103			13
	350	118			109			113			105			22
	530	119			110			114			107			34
	700	111			103			106			100			45
5K LPW DATA														
20	175	111			103			106			99			13
	350	113			105			108			101			22
	530	114			106			109			102			34
	700	107			99			102			96			45
3K BUG DATA														
# of LEDs	Current (mA)	T1			T2			T3			T4			Watts
		B	U	G	B	U	G	B	U	G	B	U	G	
20	175	1	2	1	1	3	1	0	2	1	0	2	1	13
	350	1	3	1	1	3	1	1	3	1	1	3	1	22
	530	2	3	2	1	3	1	1	3	1	1	3	1	34
	700	2	3	2	1	3	2	1	3	1	1	3	1	45
4K BUG DATA														
20	175	1	2	1	1	3	1	0	2	1	0	2	1	13
	350	1	3	1	1	3	1	1	3	1	1	3	1	22
	530	2	3	2	1	3	1	1	3	1	1	3	1	34
	700	2	3	2	2	3	2	1	3	1	1	3	1	45
5K BUG DATA														
20	175	1	0	1	1	0	1	0	0	1	0	0	1	13
	350	1	0	1	1	0	1	1	0	1	1	0	1	22
	530	2	0	2	1	0	1	1	0	1	1	0	1	34
	700	2	0	2	2	0	2	1	0	1	1	0	1	45

LUSSO Sconce LED Specifications

3K LUMEN DATA - LDL DIFFUSER														
# of LEDs	Current (mA)	T1			T2			T3			T4			Watts
20	175	919			871			853			846			13
	350	1705			1616			1583			1568			22
	530	2749			2604			2552			2528			34
	700	3466			3284			3218			3188			45
4K LUMEN DATA - LDL DIFFUSER														
20	175	938			889			871			863			13
	350	1740			1649			1616			1601			22
	530	2805			2658			2605			2580			34
	700	3537			3352			3284			3254			45
5K LUMEN DATA - LDL DIFFUSER														
20	175	957			907			889			880			13
	350	1775			1682			1648			1633			22
	530	2862			2712			2657			2632			34
	700	3609			3419			3350			3319			45
3K LPW DATA - LDL DIFFUSER														
# of LEDs	Current (mA)	T1			T2			T3			T4			Watts
20	175	71			67			66			65			13
	350	78			73			72			71			22
	530	81			77			75			74			34
	700	77			73			72			71			45
4K LPW DATA - LDL DIFFUSER														
20	175	72			68			67			66			13
	350	79			75			73			73			22
	530	83			78			77			76			34
	700	79			74			73			72			45
5K LPW DATA - LDL DIFFUSER														
20	175	74			70			68			68			13
	350	81			76			75			74			22
	530	84			80			78			77			34
	700	80			76			74			74			45
3K BUG DATA - LDL DIFFUSER														
# of LEDs	Current (mA)	T1			T2			T3			T4			Watts
		B	U	G	B	U	G	B	U	G	B	U	G	
20	175	1	2	1	0	2	1	0	2	0	0	2	0	13
	350	1	2	1	1	2	1	0	2	1	0	2	1	22
	530	1	3	1	1	3	1	1	3	1	1	3	1	34
	700	1	3	1	1	3	1	1	3	1	1	3	1	45
4K BUG DATA														
20	175	1	2	1	0	2	1	0	2	0	0	2	0	13
	350	1	2	1	1	2	1	1	2	1	0	2	1	22
	530	1	3	1	1	3	1	1	3	1	1	3	1	34
	700	1	3	1	1	3	1	1	3	1	1	3	1	45
5K BUG DATA														
20	175	1	2	1	0	2	1	0	2	0	0	2	0	13
	350	1	2	1	1	2	1	1	2	1	0	2	1	22
	530	1	3	1	1	3	1	1	3	1	1	3	1	34
	700	1	3	1	1	3	1	1	3	1	1	3	1	45

3K LUMEN DATA - HDL DIFFUSER														
# of LEDs	Current (mA)	T1			T2			T3			T4			Watts
20	175	850			877			847			853			13
	350	1518			1391			1344			1354			22
	530	2468			2262			2185			2202			34
	700	3124			2863			2765			2787			45
4K LUMEN DATA - HDL DIFFUSER														
20	175	860			886			856			863			13
	350	1535			1407			1359			1370			22
	530	2496			2288			2209			2227			34
	700	3159			2895			2796			2819			45
5K LUMEN DATA - HDL DIFFUSER														
20	175	869			896			866			873			13
	350	1553			1423			1374			1385			22
	530	2524			2313			2234			2252			34
	700	3195			2928			2828			2850			45
3K LPW DATA - HDL DIFFUSER														
# of LEDs	Current (mA)	T1			T2			T3			T4			Watts
20	175	65			67			65			66			13
	350	69			63			61			62			22
	530	73			67			64			65			34
	700	69			64			61			62			45
4K LPW DATA - HDL DIFFUSER														
20	175	66			68			66			66			13
	350	70			64			62			62			22
	530	73			67			65			65			34
	700	70			64			62			63			45
5K LPW DATA - HDL DIFFUSER														
20	175	67			69			67			67			13
	350	71			65			62			63			22
	530	74			68			66			66			34
	700	71			65			63			63			45
3K BUG DATA - HDL DIFFUSER														
# of LEDs	Current (mA)	T1			T2			T3			T4			Watts
		B	U	G	B	U	G	B	U	G	B	U	G	
20	175	0	2	1	0	2	1	0	2	1	0	2	1	13
	350	1	3	1	1	3	1	1	3	1	1	3	1	22
	530	1	3	1	1	3	1	1	3	1	1	3	1	34
	700	1	3	1	1	3	1	1	3	1	1	3	1	45
4K BUG DATA - HDL DIFFUSER														
20	175	0	2	1	0	2	1	0	2	1	0	2	1	13
	350	1	3	1	1	3	1	1	3	1	1	3	1	22
	530	1	3	1	1	3	1	1	3	1	1	3	1	34
	700	1	3	1	1	3	1	1	3	1	1	3	1	45
5K BUG DATA - HDL DIFFUSER														
20	175	0	2	1	0	2	1	0	2	1	0	2	1	13
	350	1	3	1	1	2	1	1	2	1	1	3	1	22
	530	1	3	1	1	3	1	1	3	1	1	3	1	34
	700	1	3	1	1	3	1	1	3	1	1	3	1	45