

BOW - Surface Mount Installation Instructions

SPECIFICATIONS

- Dimensions:
- BOW-1 W5.5" L 29.5" H 6" 16 Lbs
- BOW-2 W5.5" L 46.5" H 6" 22 Lbs

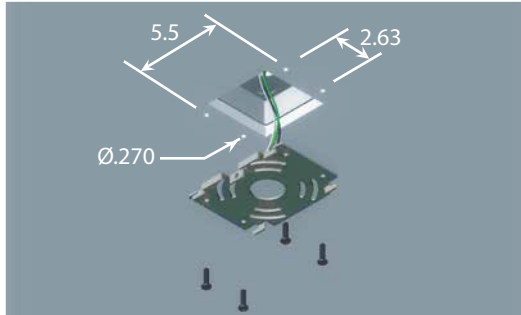


Fig. 1

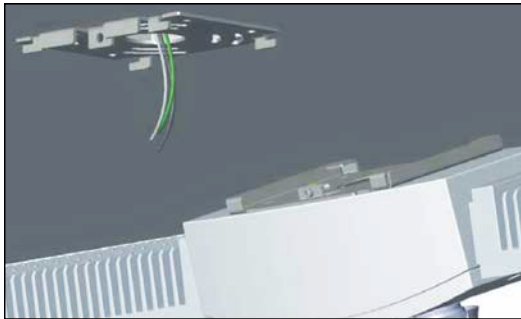


Fig. 2

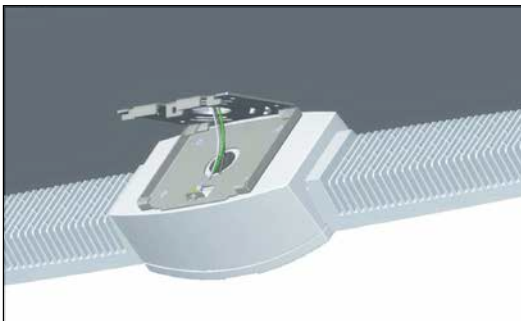


Fig. 3

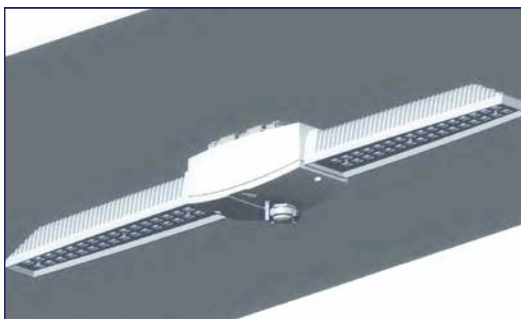


Fig. 4

BEFORE YOU BEGIN



- Read these instructions completely and carefully.
- Save these instructions for future use.

WARNING



- To avoid possible risk of fire or shock turn power off prior to installation or maintenance Preferably at circuit breaker. Product must be installed per all NEC and/or local Electrical Codes.

UNPACKING

- This luminaire has been properly packaged so that no damage shall occur during transportation.
- Inspect and confirm.

NOTE

- Integrity of luminaire mounting to surface is not responsibility of Visionaire Lighting

INSTALLATION

- Speed mount bracket® is supplied with four (4) clearance holes for 1/4-20 bolts (by others) for mounting directly to ceiling surface. (see fig. 1)
- Using four (4) 1/4-20 screw (by others) see mounting dimension shown (see fig 1). firmly attache Speed mount bracket®. slide housing hanger (see fig. 2) and let hang as shown (see fig. 3)
- Verify wattage against label installed on luminaire and make electrical connections per NEC and/or any applicable local codes (see fig. 3)
- Swing luminaire up to Speed mount bracket® as shown (see fig. 4) and firmly attach with stainless steel socket head screw (see fig. 5)

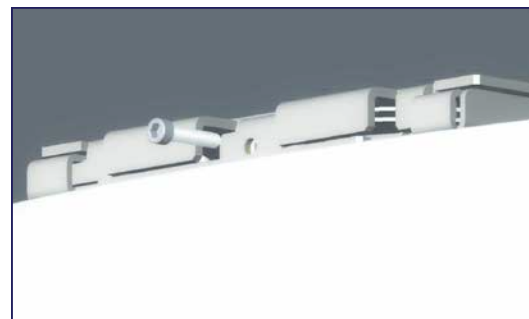


Fig. 5

