



BEFORE YOU BEGIN

- Read these instructions completely and carefully.
- Save these instructions for future use.

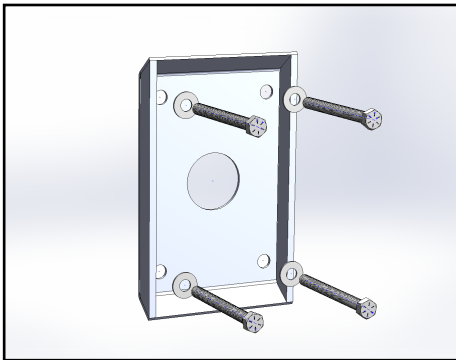
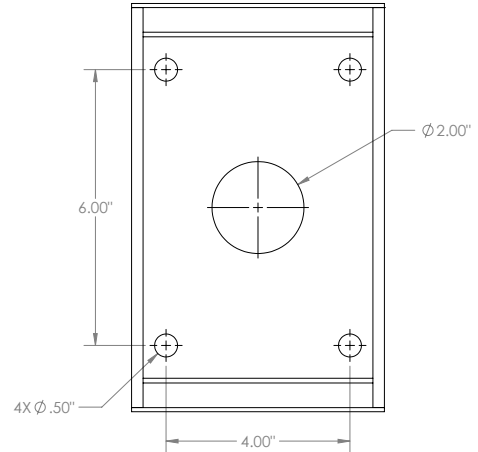


WARNING

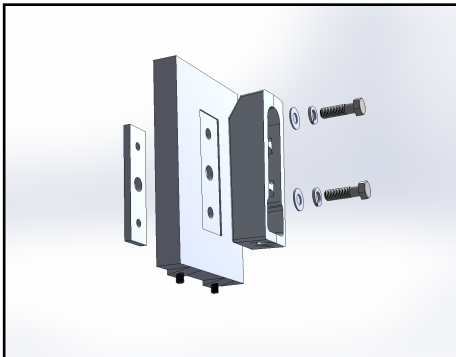
- to avoid possible risk of fire or shock, turn off power prior to installation or maintenance preferably at circuit breaker. Product must be installed following all NEC and local electrical codes.

UNPACKING

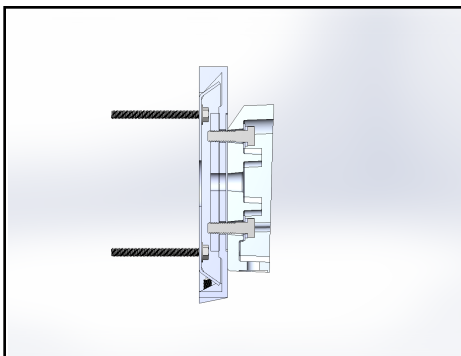
- This luminaire has been properly packaged so that no damage shall occur during transportaion. Inspect and confirm.



1. Install Wall Mount Plate to the wall with washers and bolts (by others). Make sure it is levelled.



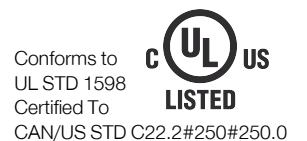
2. Align the holes in the Bolster Plate, Wall Mount Casting and BOA Mount Casting. Secure in place with 1/2" Flat Washers, Split Lock Washers and Hex Bolts. Tighten to 30 ft-lb.



3. Hang the Wall Mounting Casting/BOA Mount Casting Assembly onto Wall Mounting Plate. Secure in place by tightening 3/8"-16 Set Screws. Tighten to 20 ft-lb.



19645 ranch Way,
 Rancho Dominguez CA 90220
 310-512-6480
 www.visionairelighting.com





BEFORE YOU BEGIN

- Read these instructions completely and carefully.
- Save these instructions for future use.

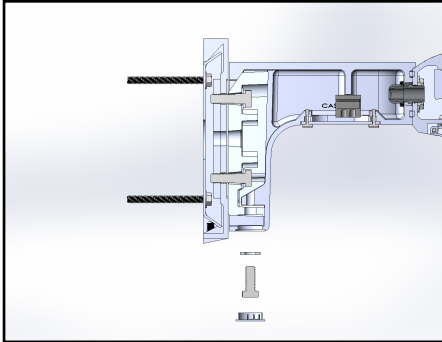


WARNING

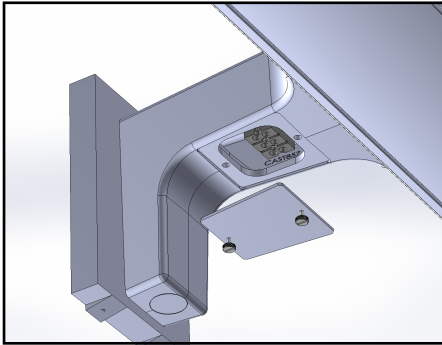
- to avoid possible risk of fire or shock, turn off power prior to installation or maintenance preferably at circuit breaker. Product must be installed following all NEC and local electrical codes.

UNPACKING

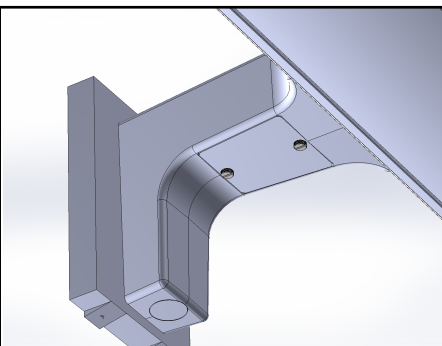
- This luminaire has been properly packaged so that no damage shall occur during transportaion. Inspect and confirm.



4. Hang the BOA Casting/Luminaire Assembly onto BOA Mount Casting.
5. Secure in place with 1/2" Nord-Lock Washer and 1/2"-13 X 1-1/4" Thread Locking Hex Head Bolt. Tighten to 45 ft-lb.
6. Snap in Plastic Pry Out Plug.



7. Remove the Access Cover Plate by unscrewing #10-24 X 3/4" Captive Knurled Head Thumb Screws.
8. Fish the supply lead wires and connect to the Terminal Block per NEC and/or any applicable local codes.



9. Replace the Access Cover Plate and tighten #10-24 X 3/4" Captive Knurled Head Thumb Screws.



19645 ranch Way.
Rancho Dominguez CA 90220
310-512-6480
www.visionairelighting.com

Conforms to
UL STD 1598
Certified To
LISTED
CAN/US STD C22.2#250#250.0