

# PGS-2 LED Specifications



Project Name:

Catalog Number:

Type:

The **PGS-2 LED** luminaire from Visionaire incorporates our single chip LED technology while maintaining a traditional architectural form factor. The LEDs performance and life are maximized by the unique integral aluminum heat sink. It is an ideal retrofit for the high-maintenance HID fixtures of yesterday.

The LED housing is heavy duty formed aluminum; with either 64, 80 or 96 LEDs. Mounting options include Universal Bolt-On Arm Mount, Yoke Mount and Wall Mount.

Eight optical distribution patterns are available. Choose between 3000, 4000 or 5000 Kelvin temperature of the LEDs.

A durable polyester powder coat finish is guaranteed for five years and is available in standard or custom colors.

The **PGS-2 LED** series is an exceptional choice for universities, shopping centers, parks, recreational areas and general site lighting.

## Ordering Information

MODEL	OPTICS	LEDS	CURRENT	KELVIN	VOLTAGE	MOUNTING	FINISH	OPTIONS	OPTIONS
<b>PGS-2</b>	<b>T1</b> Type 1	<b>64LC</b>	<b>3</b> 350mA	<b>3K</b> 3000K	<b>UNV</b> 120-277V	<b>UBOA</b> Universal Bolt-On Arm Mount	<b>BZ</b> Bronze	<b>PCR-120</b> <b>PCR-208</b> <b>PCR-240</b> <b>PCR-277</b> <b>PCR-347</b> <b>PCR-480</b> Photocell & Receptacle	<b>DIM</b> 0-10v Dimming Driver <b>WVC</b> Visionaire Wireless Controls Consult Factory
	<b>T2</b> Type 2	<b>80LC</b>	<b>5</b> 530mA	<b>4K</b> 4000K	<b>8</b> 347V	<b>YM</b> Yoke Mount	<b>BK</b> Black	<b>RPP</b> Round Pole Plate Adaptor	
	<b>T3</b> Type 3	<b>96LC</b>	<b>7</b> 700mA	<b>5K</b> 5000K	<b>5</b> 480V	<b>WM</b> Wall Mount	<b>SBK</b> Smooth Black	<b>ROT-R</b> Rotated Optics Right Side	
	<b>T4</b> Type 4					<b>WH</b> White	<b>PER</b> <b>5PINPER</b> <b>7PINPER</b> 3, 5, or 7 Pin Photo Receptacle w/shorting cap Requires Dimming Driver	<b>ROT-L</b> Rotated Optics Left Side	
	<b>T4A</b> Type 4 Automotive					<b>SWH</b> Smooth White	<b>GP</b> Graphite	<b>CLS</b> Back Side Cutoff Louver Shield	
	<b>T5</b> Type 5					<b>GY</b> Grey	<b>WSC-8</b> Motion Sensor 8' Mounting Height		
	<b>T5W</b> Type 5 Wide					<b>SL</b> Silver Metallic	<b>WSC-20</b> Motion Sensor 9-20' Mounting Height		
	<b>T5WR</b> Type 5 Wide Round					<b>CC</b> Custom Color	<b>WSC-40</b> Motion Sensor 21-40' Mounting Height		

The WSC options will require (1) FSIR 100 remote for programming

# Features & Specifications

## PGS-2

### Housing

Heavy duty formed aluminum housing with internal heat sink for maximum heat dissipation. Silicone gasket is used for weather tight operation.

### Mounting

- For post top mounting, an adaptor fits over a 2 3/8" tenon secured with stainless steel hardware.
- For retro-fit applications, a Pre-Attached Aluminum Arm (UBOA) is supplied along with a Universal Quick Mount pole adaptor for fast and easy attachment to the pole.

### Thermal Management

The PGS-2 series provides excellent thermal management by mounting the LEDs to the substantial heat sink within the housing. This enables the luminaire to withstand higher ambient temperatures and driver currents without degrading LED life.

### Optical System

- High-performance acrylic optics feature industry leading Type I, II, III, IV and V optical distributions. Acrylic optics are impact-resistant and rated to 94 percent translucence.
- L70 life of our LEDs is rated over 100,000 hours (for 700 mA), The optical system qualifies as IES full cutoff to restrict light trespass, glare and light pollution for neighborhood-friendly lighting.
- CRI values are 70.

### Quali-Guard® Finish

The finish is a Quali-Guard® textured, chemically pretreated through a multiple-stage washer, electrostatically applied, thermoset polyester powder coat finish, with a minimum of 3-5 millimeter thickness. Finish is oven-baked at 400° F to promote maximum adherence and finish hardness. All finishes are available in standard and custom colors. Finish is guaranteed for five (5) years.

### Electrical Assembly

The PGS-2 LED series is supplied with a choice of 350, 530 or 700mA high-performance LED drivers that accept 120v thru 480v, 50 Hz to 60 Hz, input. Power factor of 90%. Rated for -40°C operations.

10kV Surge Protector supplied as standard.

### Warranty

- Five (5) year Limited Warranty on electrical components, Five (5) year on finish. For full warranty information, please visit [visionairelighting.com](http://visionairelighting.com).

### Options

- Photocell & Receptacle
- 3, 5 & 7-Pin Receptacles
- 0-10 Volt Dimming Driver
- Motion Sensor/Control Watt Stopper FSP-211
- Wireless Controls
- Round Pole Plate Adapter
- Cutoff Louver Shield

### Listings

- IP65 Rated
- Powder Coated Tough
- IDA Certification
- PGS-2 is cUL listed, suitable for wet locations.



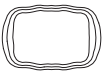

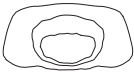
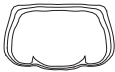
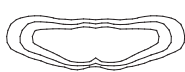









3000K must be selected for IDA certification.  
Fixed mount must be selected for IDA dark sky certification.

Motion Sensor Default Setting									
FSP - 211	High Mode	Low Mode	Time Delay	Cut Off Delay	Sensitivity	Hold Off Setpoint	Photocell On/Off	Ramp Up Time	Fade Down Time
WSC - Default	10V	1V	5 Minutes	1 Hour	Max	Disabled	Disabled	Disabled	Disabled
WSC Range	0-10V	0-9.8V	5-30 Minutes	1-5 Hours	Low, Med, Max	1-250FC	1-250FC	1-60 Dec	1-60 Dec

\*Settings can be field modified with the FSIR-100 Programming remote

# PGS-2 LED Specifications

## Photometric Optical Summary

T1 Type 1	T2 Type 2	T3 Type 3	T4 Type 4	T4A Type 4 Automotive	T5 Type 5	T5W Type 5 Wide	T5WR Type 5 Wide Round
							
<b>EPA Data</b>		 0.75	 1.47	 1.5	 2.22	 2.1	 2.22

## Dimensions

### Universal Bolt-On Arm

**Width:** PGS-2 18"

**Depth:** PGS-2 25"

**Height:** PGS-2 6.5"

**Overall Height:** PGS-2 8.25"

**Weight:** 26 LBS

### Wall Mount

**Width:** PGS-2 18"

**Depth:** PGS-2 24.25"

**Height:** PGS-2 6.5"

**Overall Height:** PGS-2 8"

**Weight:** 26 LBS

### Yoke Mount

**Width:** PGS-2 20"

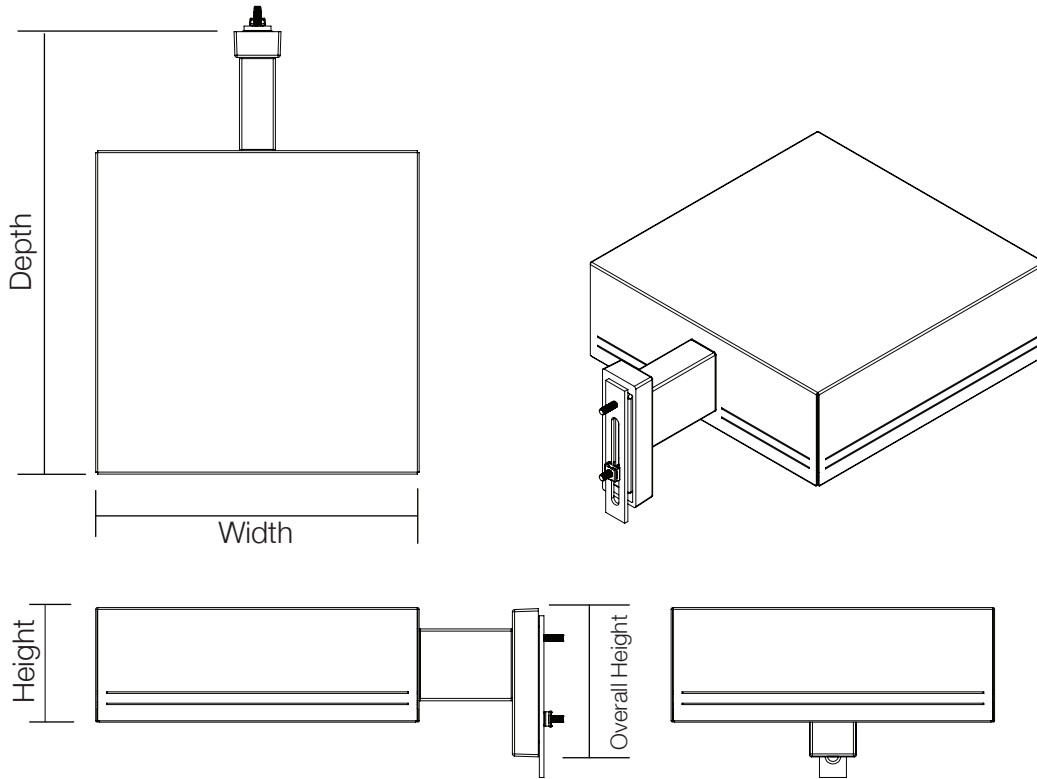
**Depth:** PGS-2 18"

**Height:** PGS-2 6.5"

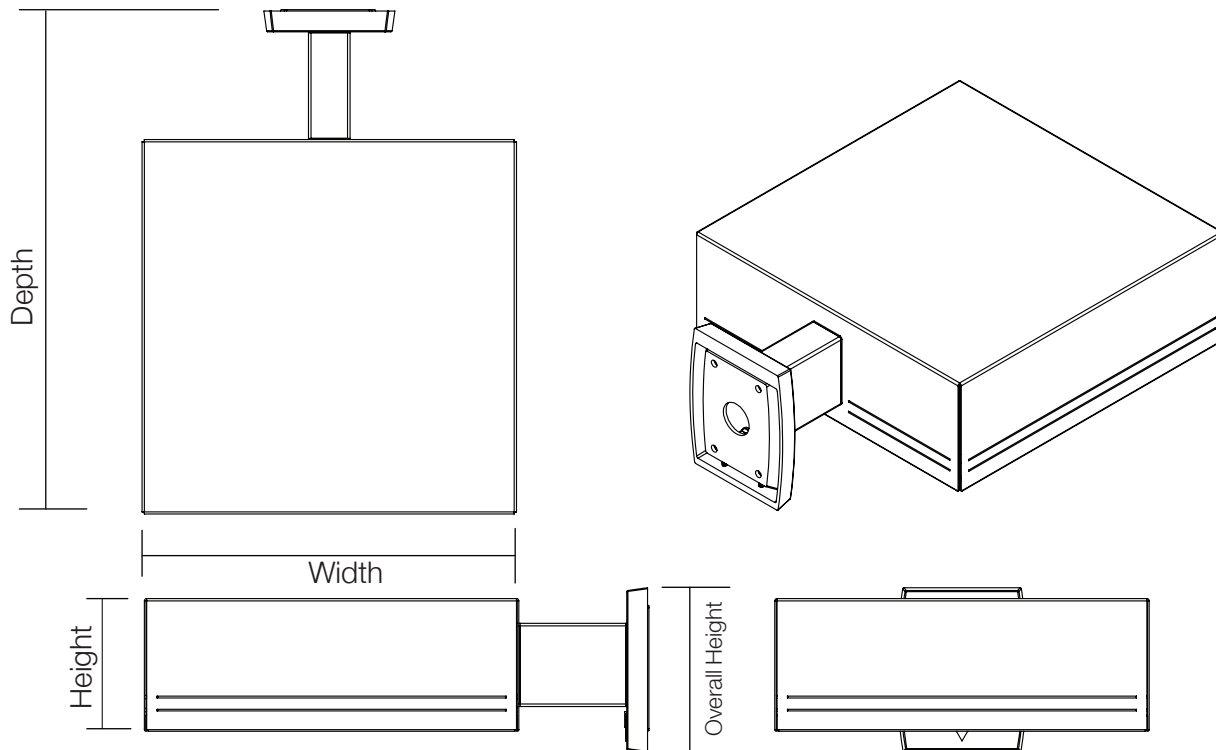
**Overall Height:** PGS-2 26"

**Weight:** 26 LBS

**Universal Bolt-On Arm Mount**

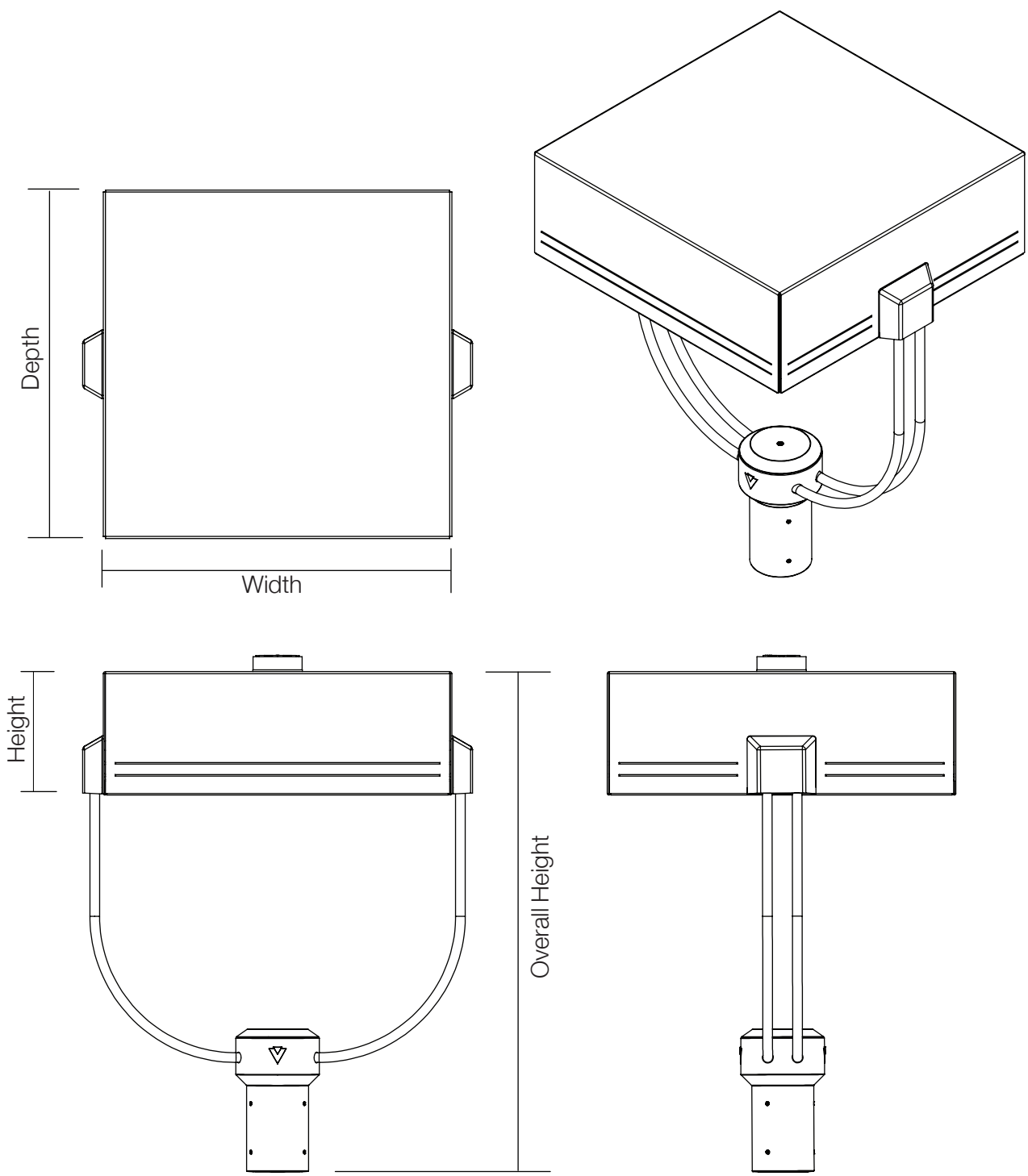


**Wall Mount**



# PGS-2 LED Specifications

## Yoke Mount



3K LUMEN DATA										
# LEDs	mA	T1	T2	T3	T4	T4A	T5	T5W	T5WR	Watts
64	350	7734	7804	7553	7603	8190	8256	8055	7958	69
	530	10993	11093	10735	10807	11642	11736	11450	11312	105
	700	13038	13156	12732	12817	13807	13918	13579	13415	139
80	350	9543	9630	9319	9381	10106	10188	9939	9820	85
	530	13424	13546	13110	13197	14217	14331	13982	13813	129
	700	16634	16785	16244	16352	17616	17758	17325	17116	171
96	350	10930	11029	10674	10745	11575	11668	11384	11247	100
	530	15501	15642	15137	15238	16416	16548	16144	15950	154
	700	19437	19613	18981	19107	20584	20749	20244	20000	214
4K LUMEN DATA										
64	350	8562	8639	8361	8416	9067	9140	8917	8810	69
	530	12170	12280	11884	11963	12888	12992	12675	12522	105
	700	14433	14564	14094	14188	15285	15408	15032	14851	139
80	350	10564	10660	10317	10385	11188	11278	11003	10870	85
	530	14861	14996	14512	14609	15738	15865	15478	15291	129
	700	18414	18582	17983	18102	19501	19658	19179	18948	171
96	350	12100	12210	11816	11895	12814	12917	12602	12450	100
	530	17160	17315	16757	16869	18172	18318	17872	17657	154
	700	21517	21712	21012	21152	22787	22970	22410	22140	214
5K LUMEN DATA										
64	350	8562	8639	8361	8416	9067	9140	8917	8810	69
	530	12170	12280	11884	11963	12888	12992	12675	12522	105
	700	14433	14564	14094	14188	15285	15408	15032	14851	139
80	350	10564	10660	10317	10385	11188	11278	11003	10870	85
	530	14861	14996	14512	14609	15738	15865	15478	15291	129
	700	18414	18582	17983	18102	19501	19658	19179	18948	171
96	350	12100	12210	11816	11895	12814	12917	12602	12450	100
	530	17160	17315	16757	16869	18172	18318	17872	17657	154
	700	21517	21712	21012	21152	22787	22970	22410	22140	214
Visit <a href="http://www.visionairelighting.com">www.visionairelighting.com</a> for up-to-the-minute chart information, including types not listed here.										

# PGS-2 LED Specifications

3K LPW DATA										
# LEDs	mA	Type 1	Type 2	Type 3	Type 4	Type 4A	Type 5	Type 5W	Type 5WR	Watts
64	350	112	113	110	110	119	120	117	115	69
	530	105	106	102	103	111	112	109	108	105
	700	94	95	92	92	100	100	98	97	139
80	350	113	114	110	111	119	120	117	116	85
	530	104	105	101	102	110	111	108	107	129
	700	97	98	95	96	103	104	101	100	171
96	350	110	111	107	108	116	117	114	113	100
	530	100	101	98	99	106	107	105	103	154
	700	91	92	89	89	96	97	95	94	214
4K LPW DATA										
64	350	124	125	121	122	132	133	129	128	69
	530	116	117	113	114	123	124	121	119	105
	700	104	105	102	102	110	111	108	107	139
80	350	125	126	122	122	132	133	130	128	85
	530	115	116	112	113	122	123	120	118	129
	700	108	109	105	106	114	115	112	111	171
96	350	121	122	118	119	128	129	126	125	100
	530	111	112	109	109	118	119	116	114	154
	700	101	102	98	99	107	108	105	104	214
5K LPW DATA										
64	350	124	125	121	122	132	133	129	128	69
	530	116	117	113	114	123	124	121	119	105
	700	104	105	102	102	110	111	108	107	139
80	350	125	126	122	122	132	133	130	128	85
	530	115	116	112	113	122	123	120	118	129
	700	108	109	105	106	114	115	112	111	171
96	350	121	122	118	119	128	129	126	125	100
	530	111	112	109	109	118	119	116	114	154
	700	101	102	98	99	107	108	105	104	214
Visit <a href="http://www.visionairelighting.com">www.visionairelighting.com</a> for up-to-the-minute chart information, including types not listed here.										

3K BUG DATA																										
# LEDs	mA	T1			T2			T3			T4			T4A			T5			T5W			T5WR			Watts
		B	U	G	B	U	G	B	U	G	B	U	G	B	U	G	B	U	G	B	U	G	B	U	G	
64	350	3	0	3	2	0	2	2	0	2	2	0	2	2	0	1	3	0	2	4	0	2	3	0	1	76
	530	3	0	3	2	0	2	3	0	3	2	0	2	2	0	2	3	0	2	4	0	2	3	0	2	104
	700	3	0	3	3	0	3	3	0	3	3	0	3	3	0	2	3	0	2	4	0	2	4	0	2	143
80	350	3	0	3	2	0	2	2	0	2	2	0	2	2	0	2	3	0	1	3	0	2	3	0	2	95
	530	3	0	3	3	0	3	3	0	3	3	0	3	3	0	2	3	0	2	4	0	2	4	0	2	130
	700	3	0	3	3	0	3	3	0	3	3	0	3	3	0	2	4	0	2	4	0	2	4	0	2	178
96	350	3	0	3	2	0	2	3	0	3	2	0	2	2	0	2	3	0	2	4	0	2	3	0	2	114
	530	3	0	3	3	0	3	3	0	3	3	0	3	3	0	2	4	0	2	4	0	2	4	0	2	156
	700	4	0	4	3	0	3	3	0	3	3	0	3	3	0	3	4	0	2	5	0	3	4	0	2	214
4K BUG DATA																										
64	350	3	0	3	2	0	2	2	0	2	2	0	2	2	0	1	3	0	1	3	0	2	3	0	2	76
	530	3	0	3	2	0	2	3	0	3	3	0	3	2	0	2	3	0	2	4	0	2	4	0	2	104
	700	3	0	3	3	0	3	3	0	3	3	0	3	3	0	2	3	0	2	4	0	2	4	0	2	143
80	350	3	0	3	2	0	2	3	0	3	2	0	2	2	0	2	3	0	2	4	0	2	3	0	2	95
	530	3	0	3	3	0	3	3	0	3	3	0	3	3	0	2	4	0	2	4	0	2	4	0	2	130
	700	4	0	4	3	0	3	3	0	3	3	0	3	3	0	2	4	0	2	4	0	2	4	0	2	178
96	350	3	0	3	2	0	2	3	0	3	3	0	3	2	0	2	3	0	2	4	0	2	4	0	2	114
	530	4	0	4	3	0	3	3	0	3	3	0	3	3	0	2	4	0	2	4	0	2	4	0	2	156
	700	4	0	4	3	0	3	3	0	3	3	0	3	3	0	3	4	0	2	5	0	3	4	0	2	214
5K BUG DATA																										
64	350	3	0	3	2	0	2	2	0	2	2	0	2	2	0	1	3	0	1	3	0	2	3	0	2	76
	530	3	0	3	2	0	2	3	0	3	3	0	3	2	0	2	3	0	2	4	0	2	4	0	2	104
	700	3	0	3	3	0	3	3	0	3	3	0	3	3	0	2	3	0	2	4	0	2	4	0	2	143
80	350	3	0	3	2	0	2	3	0	3	2	0	2	2	0	2	3	0	2	4	0	2	3	0	2	95
	530	3	0	3	3	0	3	3	0	3	3	0	3	3	0	2	4	0	2	4	0	2	4	0	2	130
	700	4	0	4	3	0	3	3	0	3	3	0	3	3	0	2	4	0	2	4	0	2	4	0	2	178
96	350	3	0	3	2	0	2	3	0	3	3	0	3	2	0	2	3	0	2	4	0	2	4	0	2	114
	530	4	0	4	3	0	3	3	0	3	3	0	3	3	0	2	4	0	2	4	0	2	4	0	2	156
	700	4	0	4	3	0	3	3	0	3	3	0	3	3	0	3	4	0	2	5	0	3	4	0	2	214

Visit [www.visionairelighting.com](http://www.visionairelighting.com) for up-to-the-minute chart information, including types not listed here.