

BOW LX/SX-II Wireless Controller Antenna Installation Instructions



BEFORE YOU BEGIN

- Read these instructions completely and carefully.
- Save these instructions for future use.



WARNING

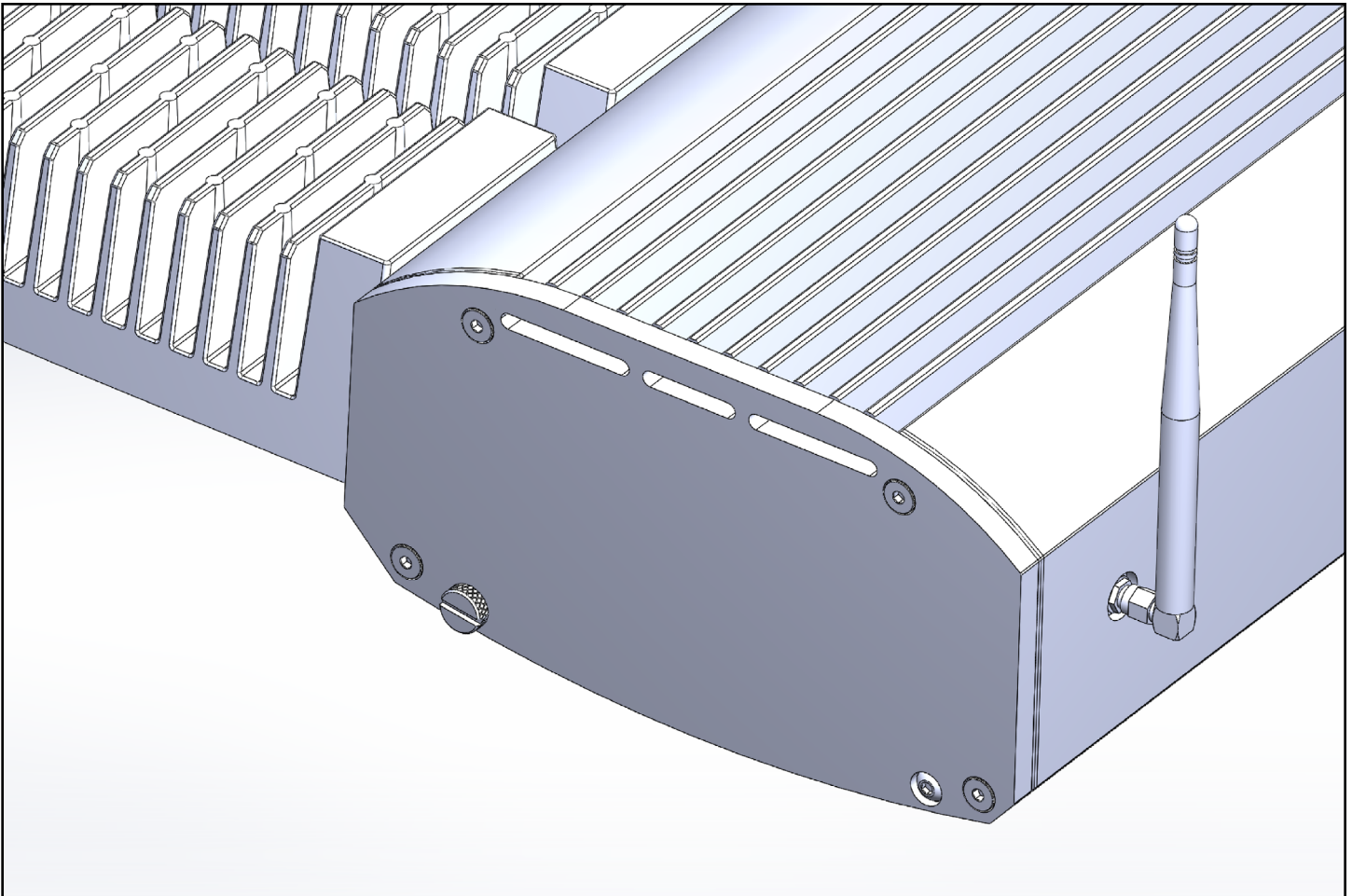
- to avoid possible risk of fire or shock, turn off power prior to installation or maintenance preferably at circuit breaker. Product must be installed following all NEC and local electrical codes.

UNPACKING

- This luminaire has been properly packaged so that no damage shall occur during transportaion. Inspect and confirm.

Wire lead color specifications.
(Fixture) Black → Load/Hot
(Fixture) White → Neutral/Common
(Fixture) Green → Ground
(Fixture) Purple → Dim+ (If required)
(Fixture) Grey → Dim- (If required)

1. Screw the Wireless Controller Antenna and tighten to 8 in-lb.. Make sure the Antenna is in vertical position, pointing toward the sky.



19645 Rancho Way.
Rancho Dominguez CA 90220
310-512-6480
www.visionairelighting.com

Conforms to
UL STD 1598
Certified To
CAN/US STD C22.2#250#250.0