



## BEFORE YOU BEGIN

- Read these instructions completely and carefully.
- Save these instructions for future use.

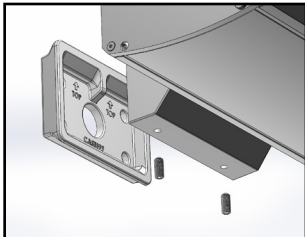
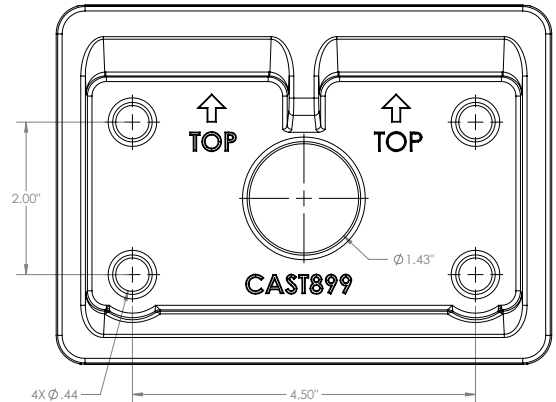


## WARNING

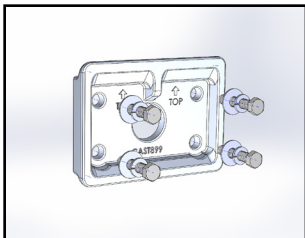
- to avoid possible risk of fire or shock, turn off power prior to installation or maintenance preferably at circuit breaker.
- Product must be installed following all NEC and local electrical codes.

## UNPACKING

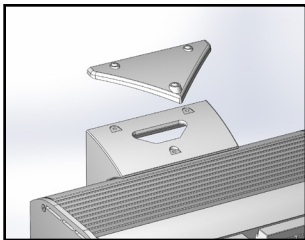
- This luminaire has been properly packaged so that no damage shall occur during transportaion. Inspect and confirm.



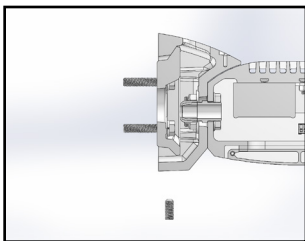
1. Unscrew 3/8"-16 X 7/8" Set Screws and remove the Wall Mount Plate.



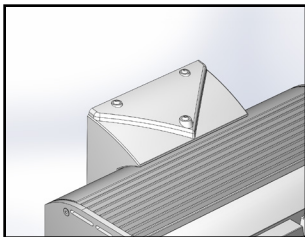
2. Install Wall Mount Plate to the wall with washers and bolts (by others). Make sure it is levelled.



3. Unscrew #10-24 X 7/8" Captive Button Head Hex Drive Screws and remove the Access Cover.



4. Hang the Wall Mounting Casting/Luminaire Assembly onto Wall Mounting Plate. Secure in place by tightening 3/8"-16 Set Screws. Tighten to 19 ft-lb.



5. Connect supply lead wires per NEC and/or any applicable local codes.
6. Replace the Access Cover and tighten #10-24 X 7/8" Captive Button Head Hex Drive Screws. Tighten to 10 in-lb.



19645 Rancho Way.  
Rancho Dominguez CA 90220  
310-512-6480  
www.visionairelighting.com

Conforms to  
UL STD 1598  
Certified To  
LISTED  
CAN/US STD C22.2#250#250.0